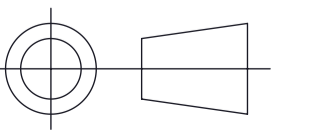


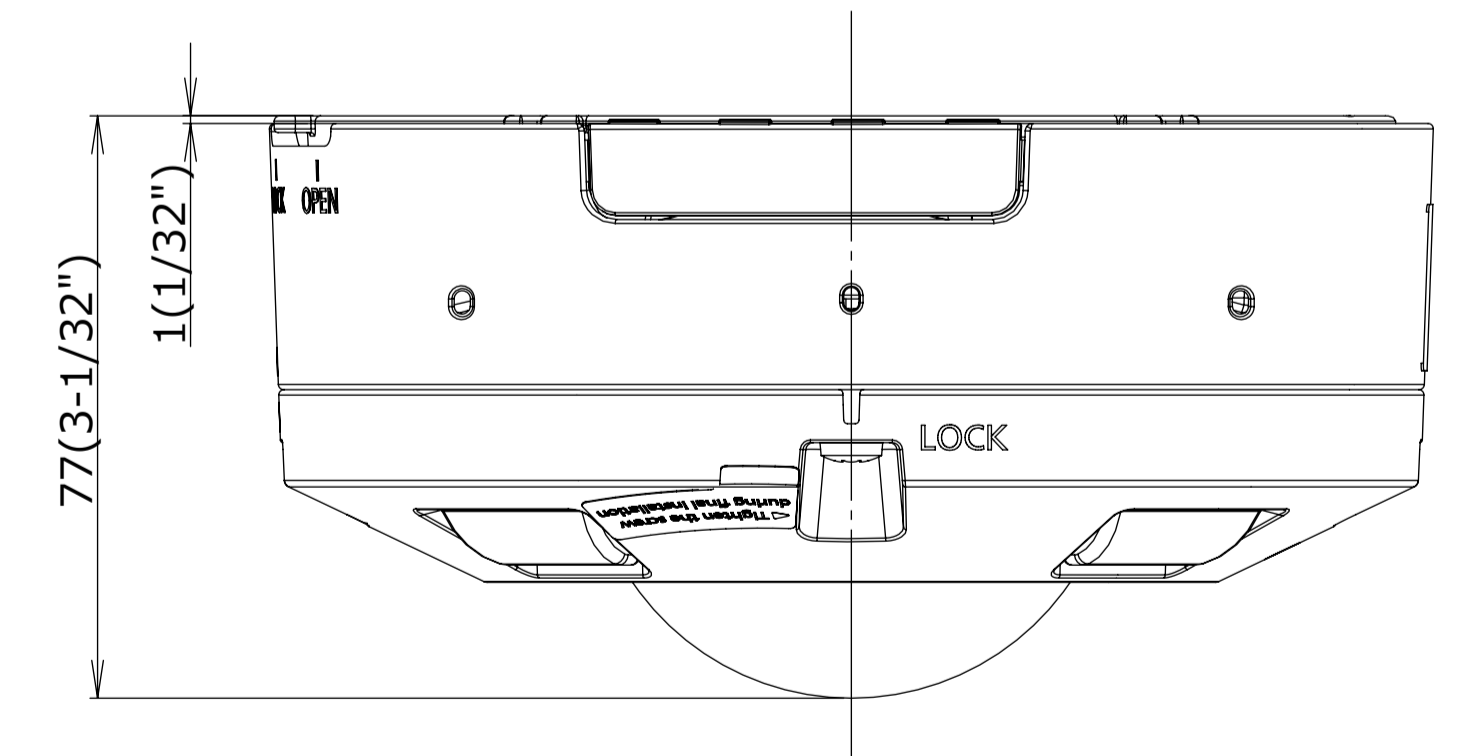
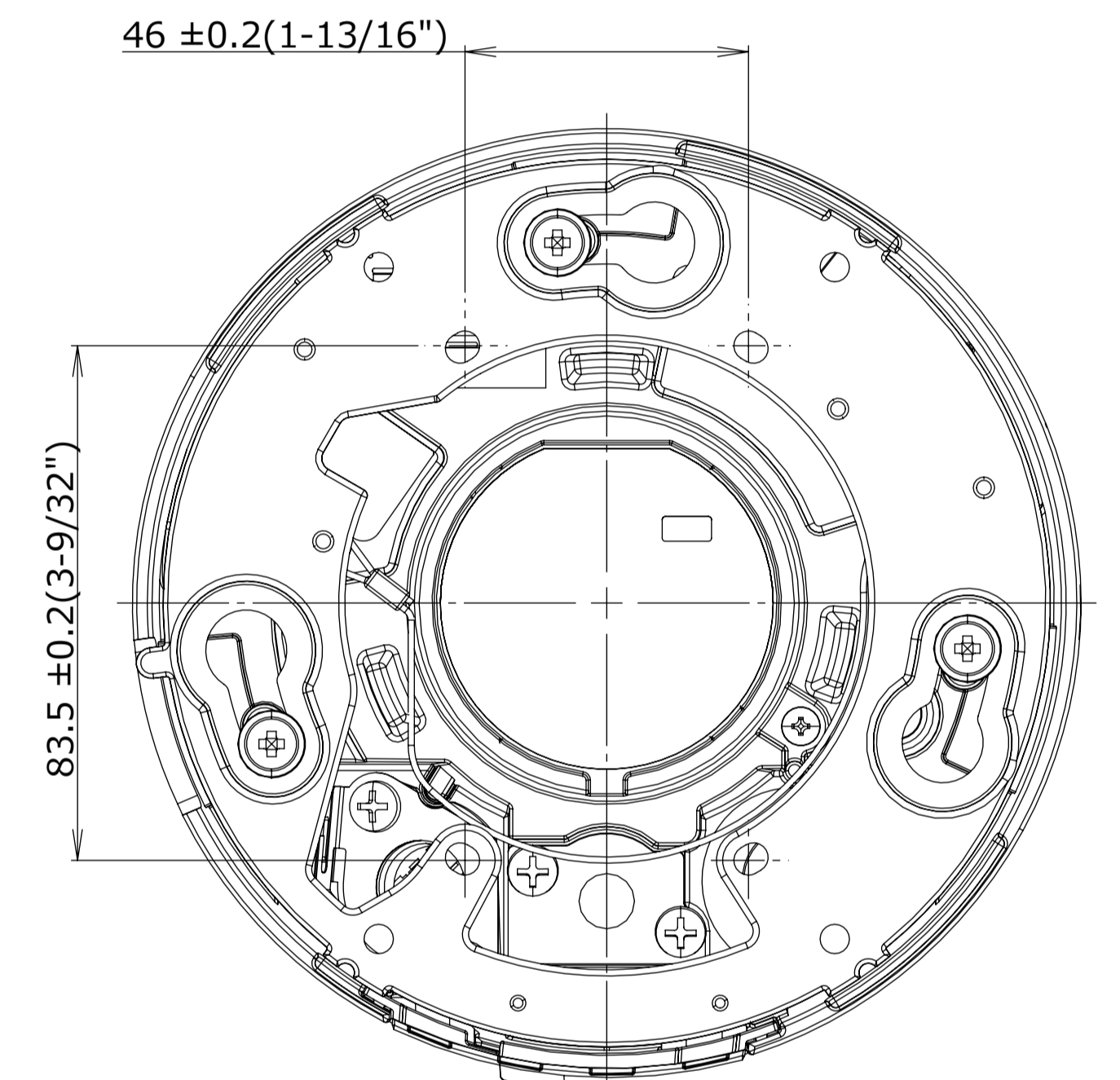
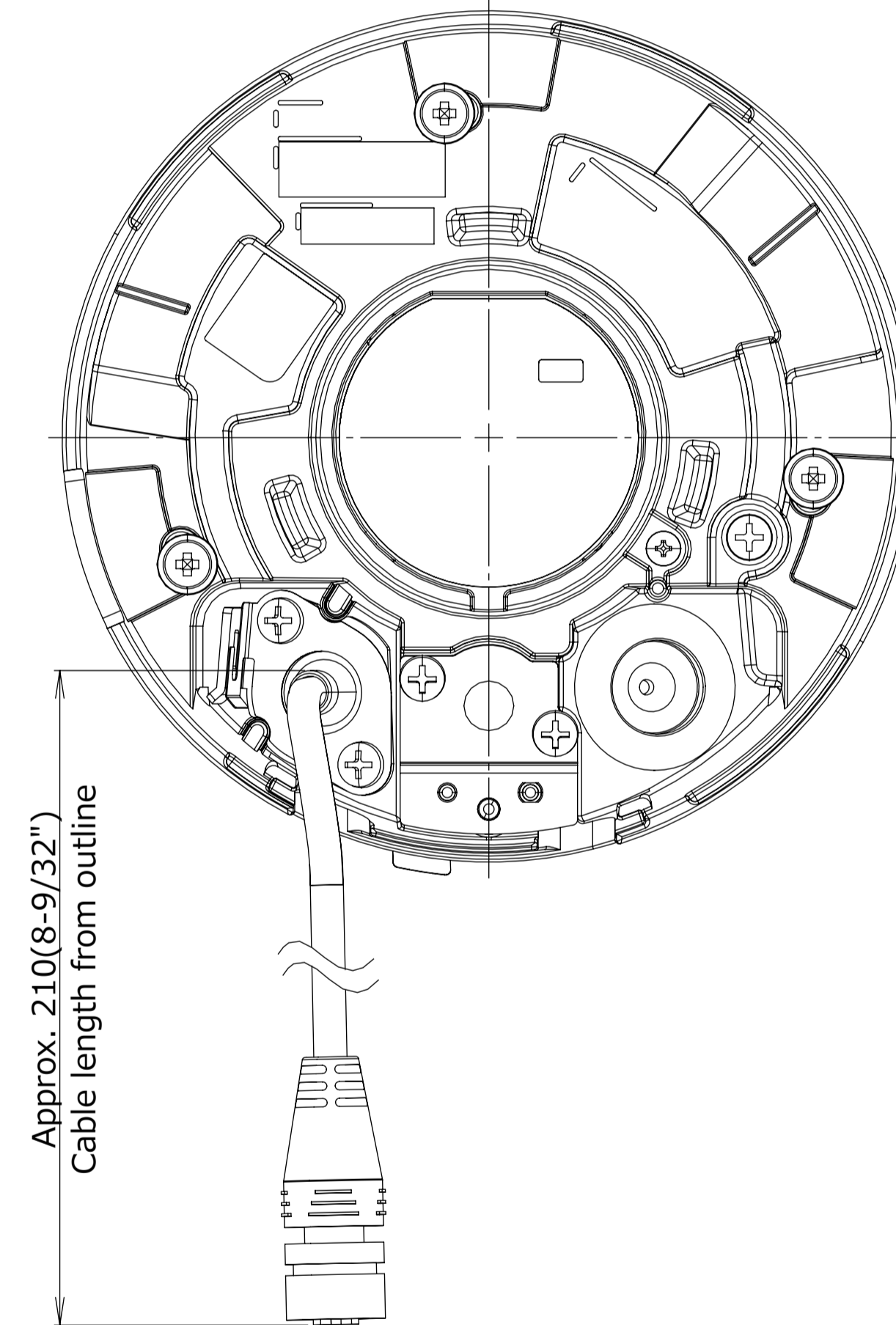
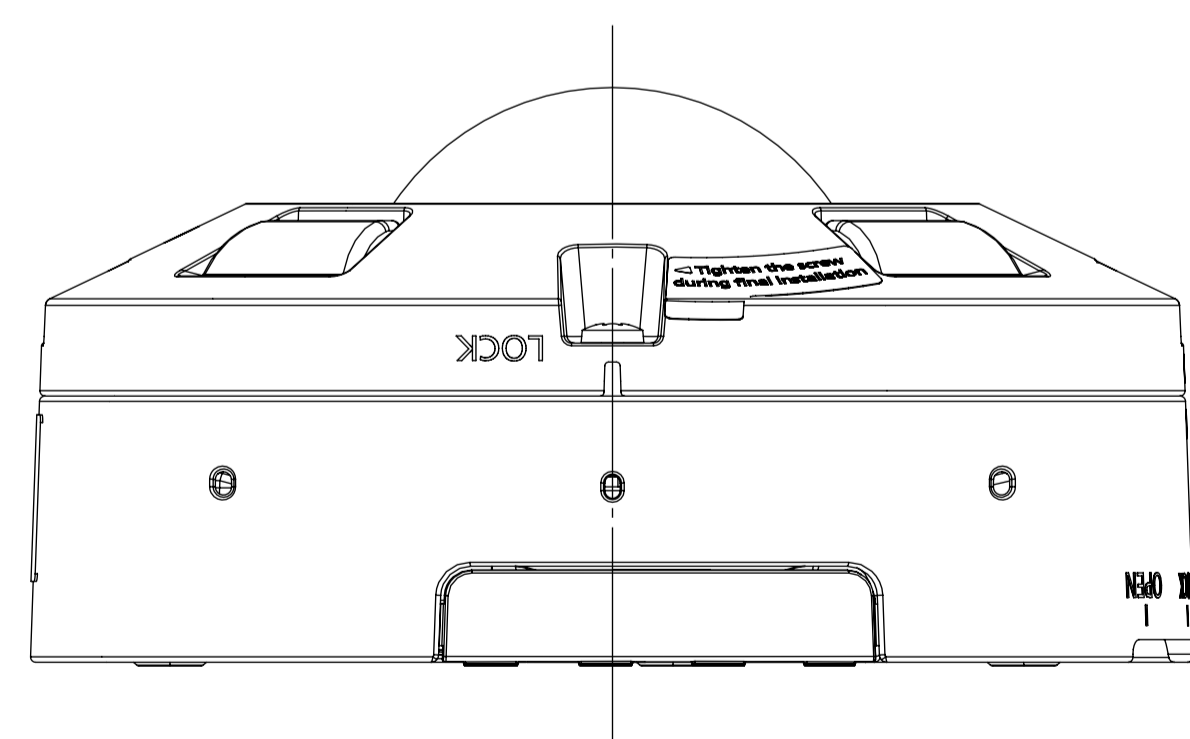
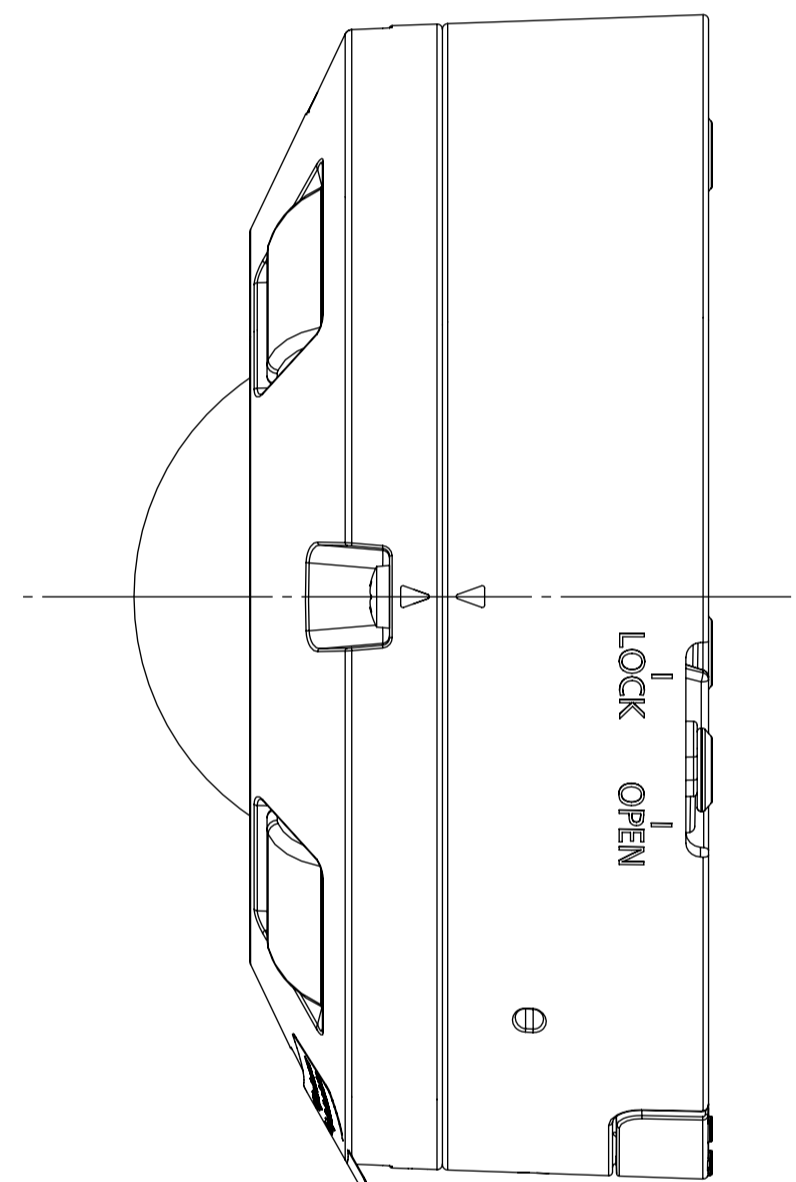
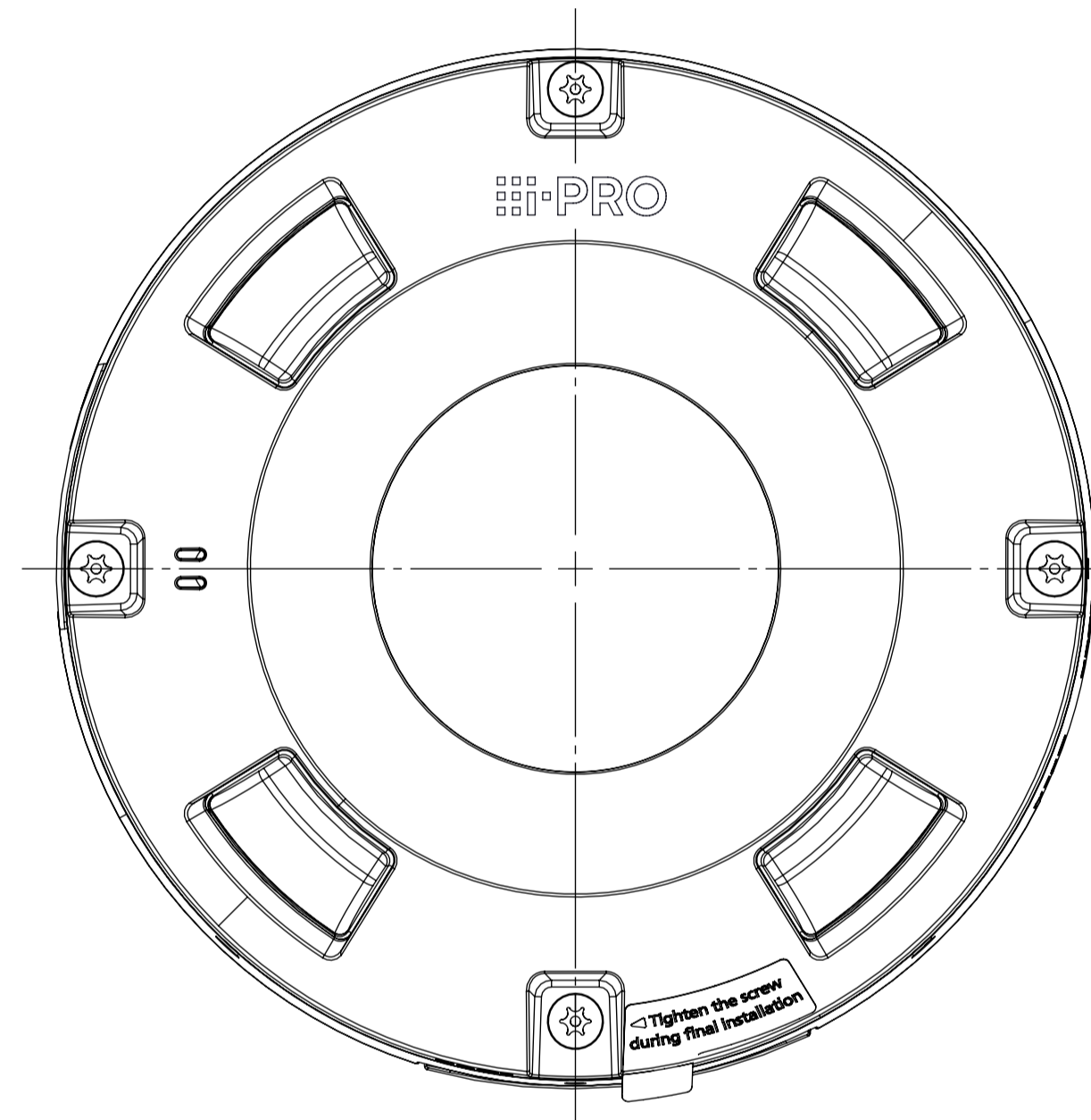
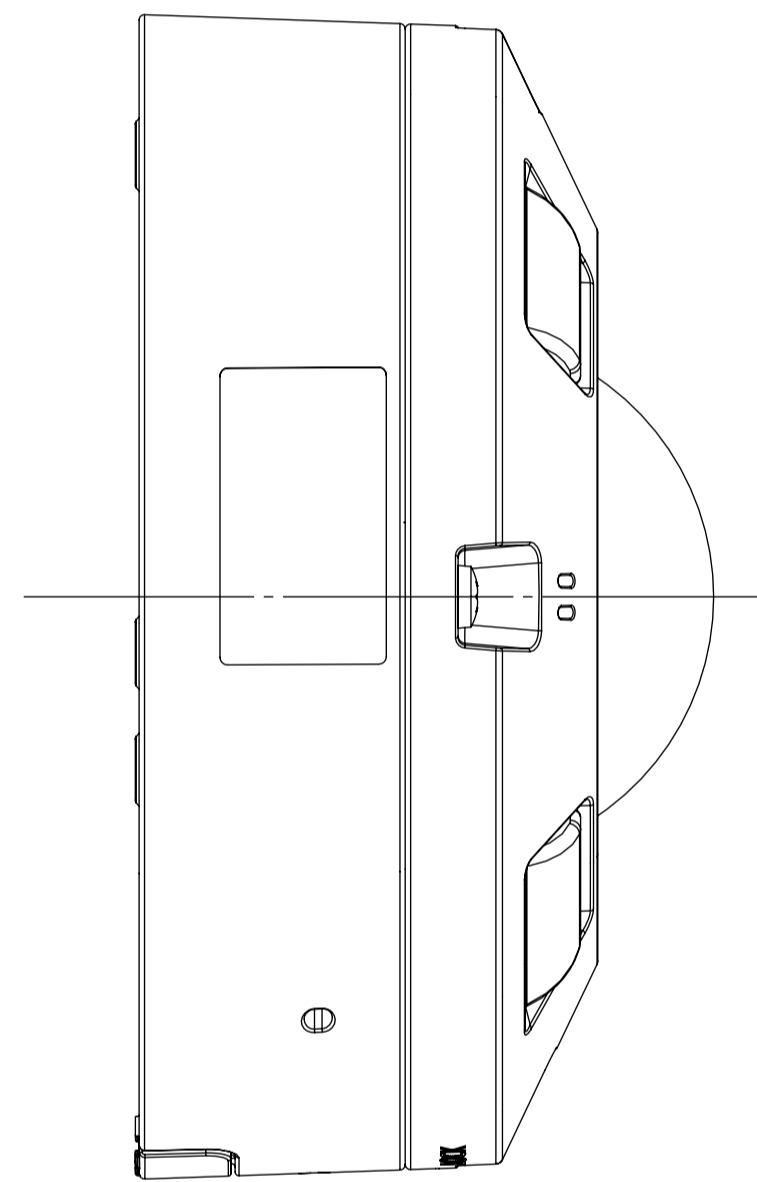
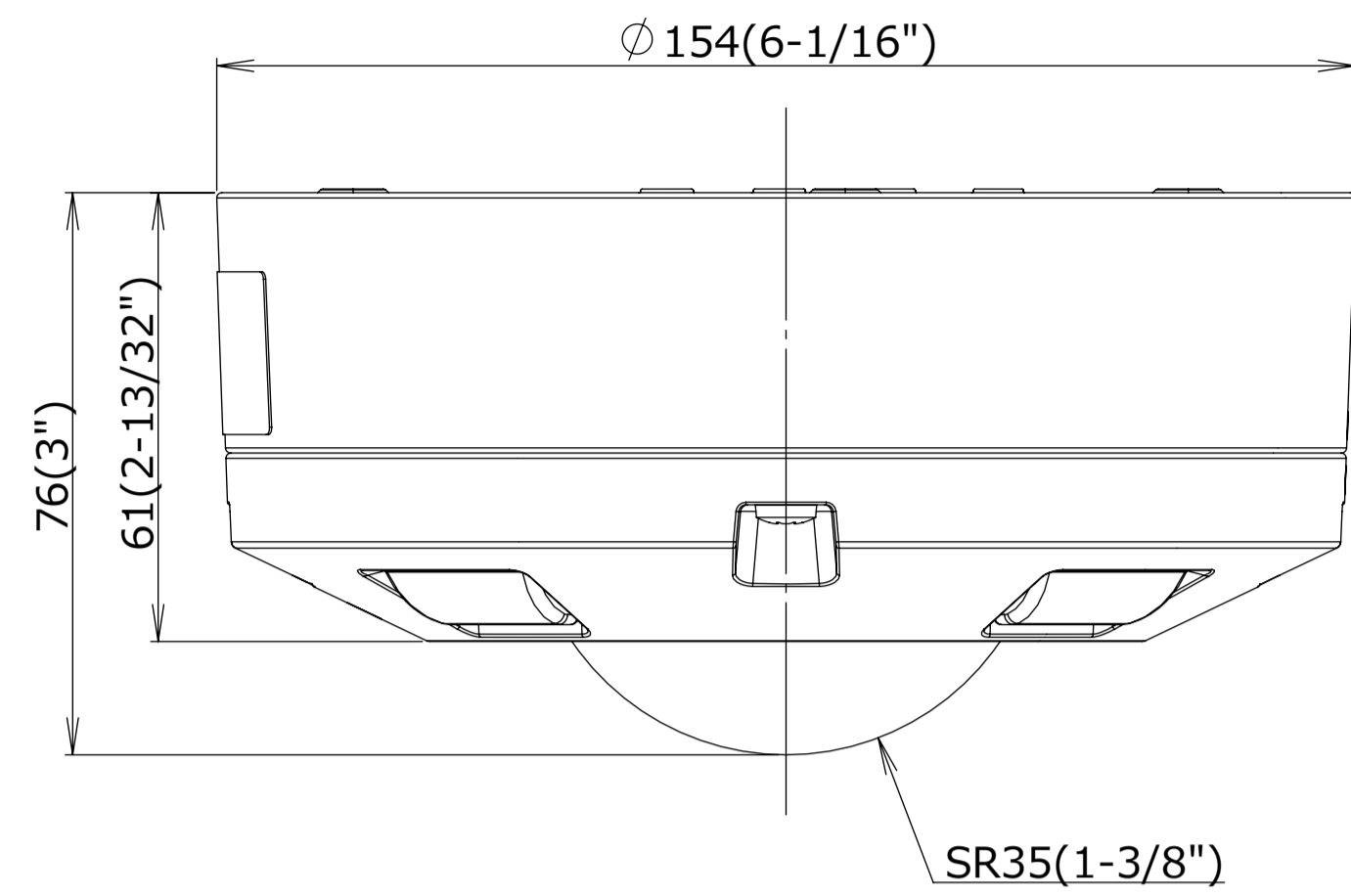
With attachment plate

|               |                        |
|---------------|------------------------|
|               | 投影面積/Projected area    |
| 側面図/Side-view | 0.010(m <sup>2</sup> ) |

Mass : Approx. 1.75 kg {3.86 lbs} (When using the attachment plate)

Unit:mm



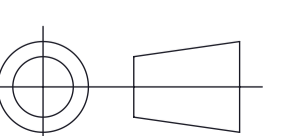


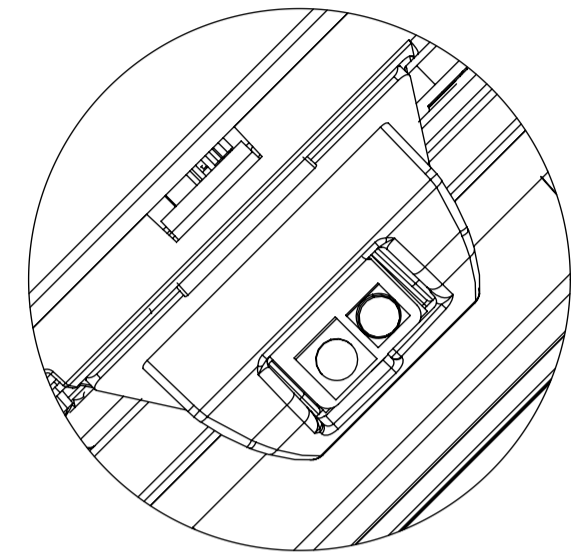
With attachment plate

|               |                        |
|---------------|------------------------|
|               | 投影面積/Projected area    |
| 側面図/Side-view | 0.010(m <sup>2</sup> ) |

Mass : Approx. 1.75 kg {3.86 lbs} (When using the attachment plate)

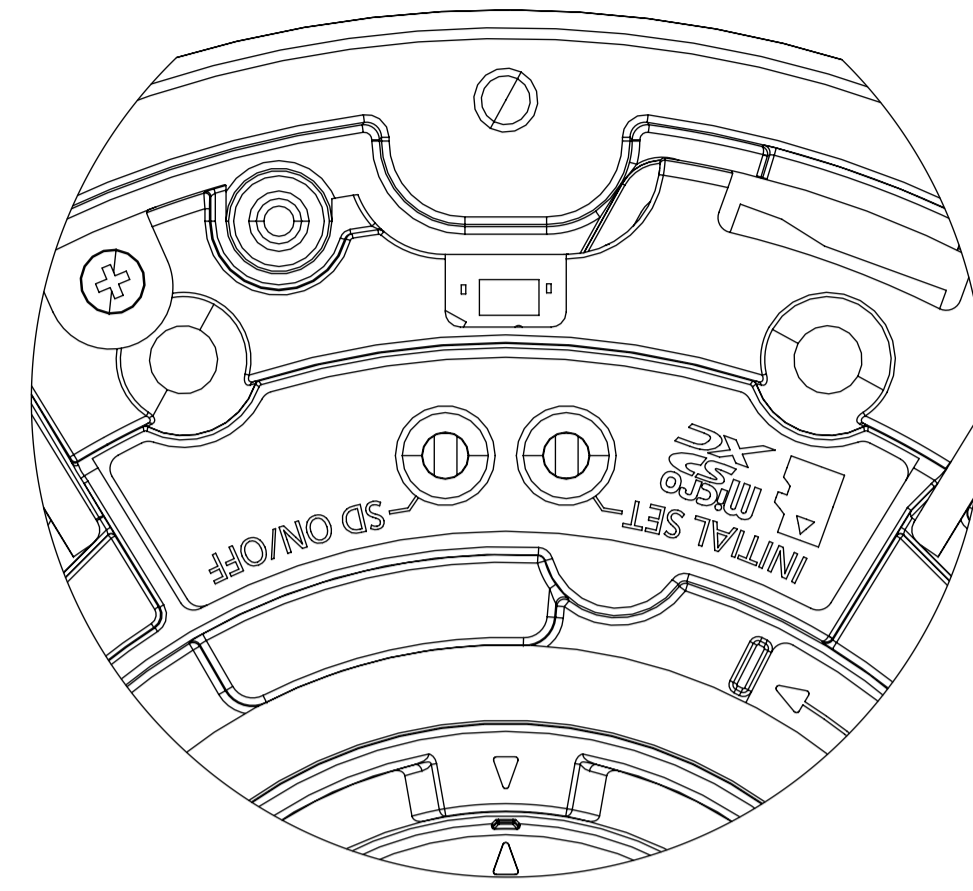
Unit:mm



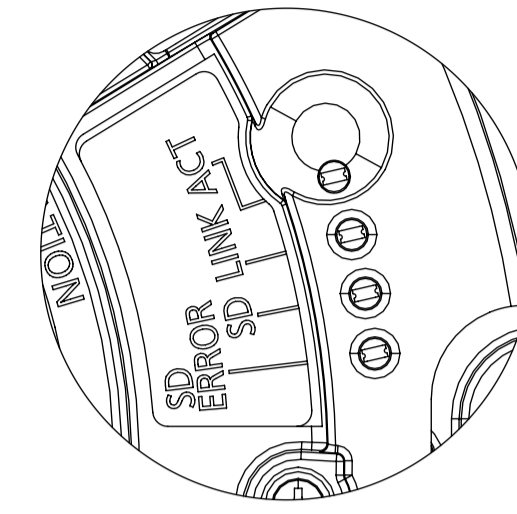


(4 places)

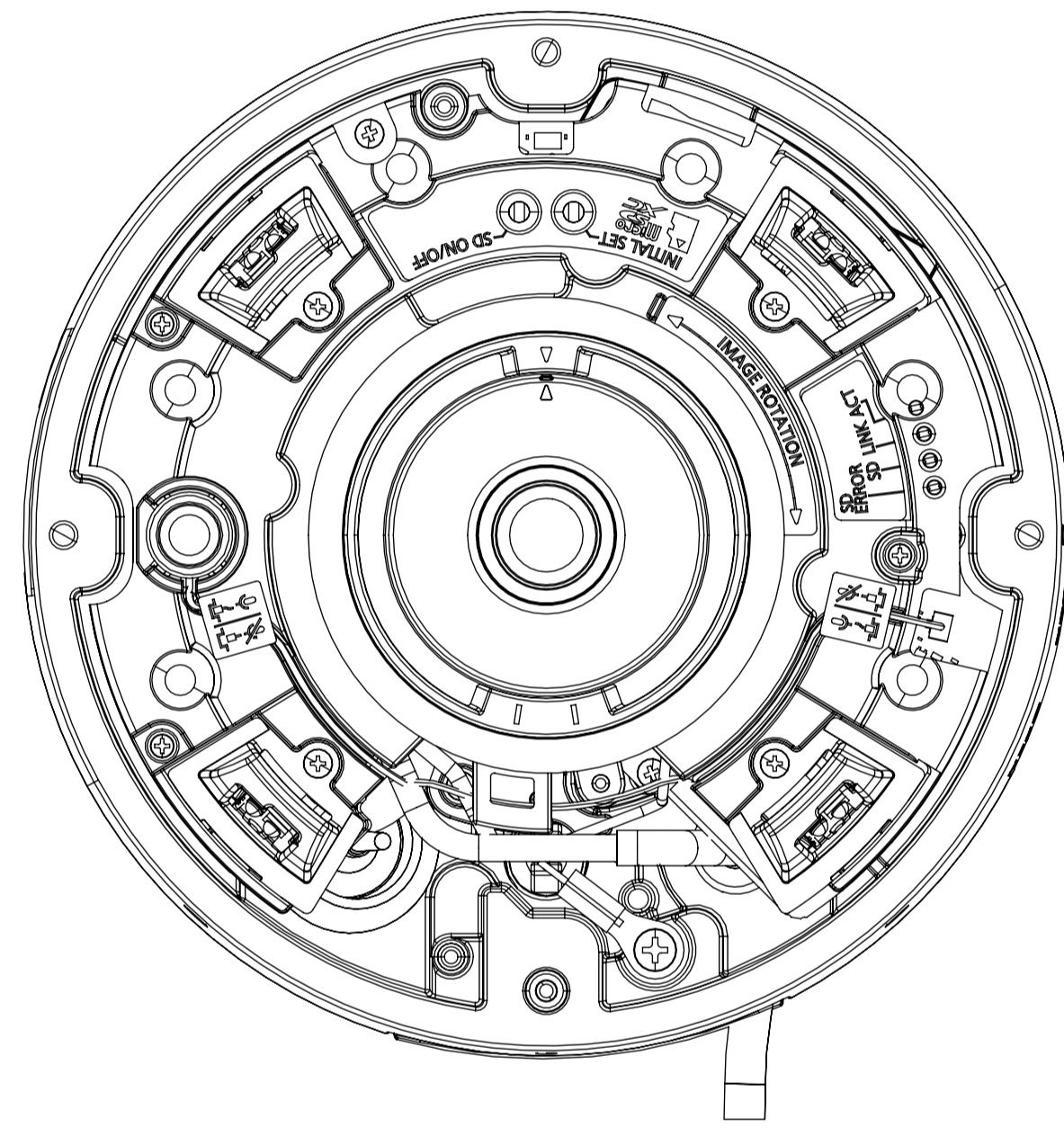
View C  
S=2 : 1



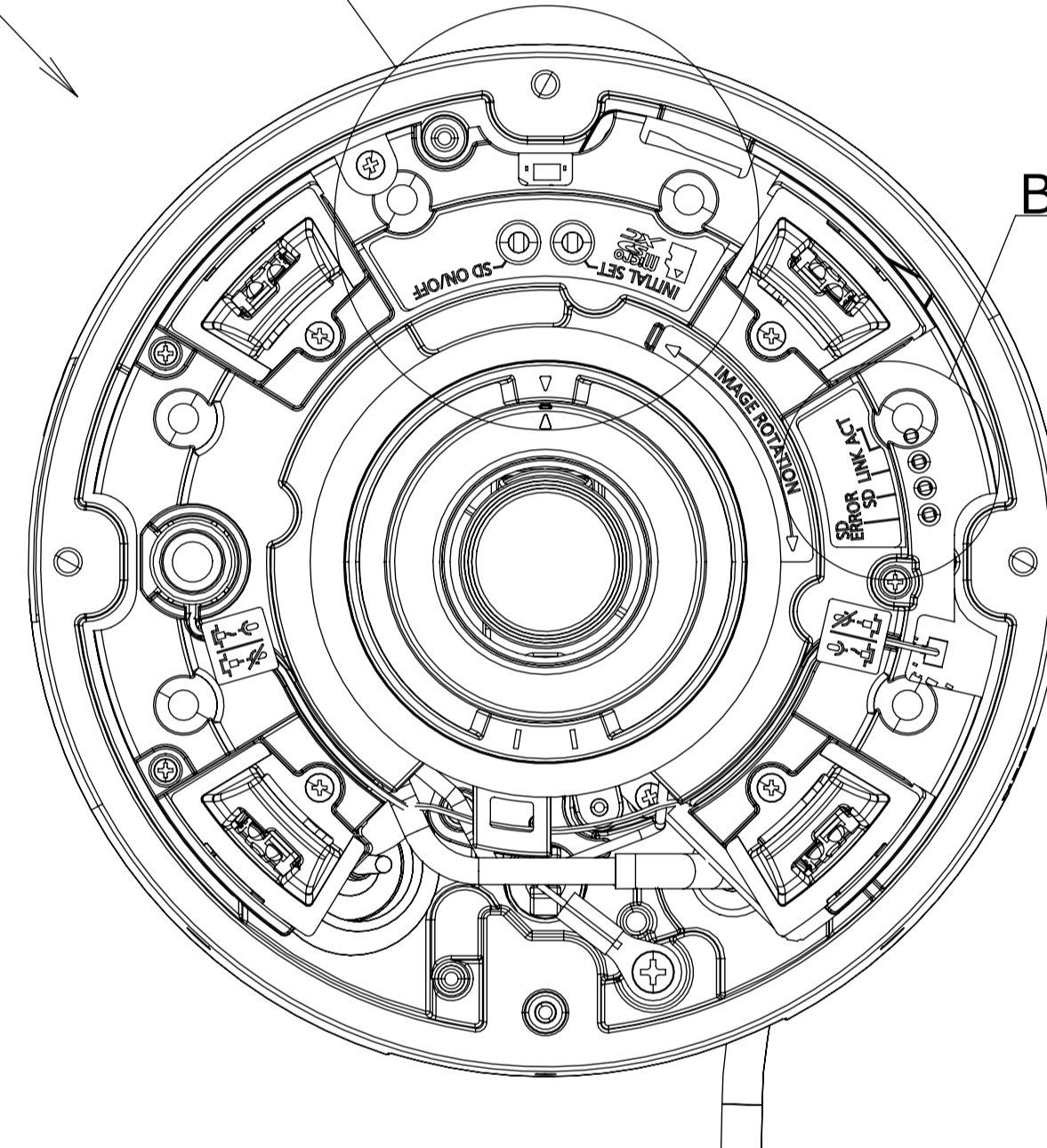
Detail A  
S=2 : 1



Detail B  
S=2 : 1

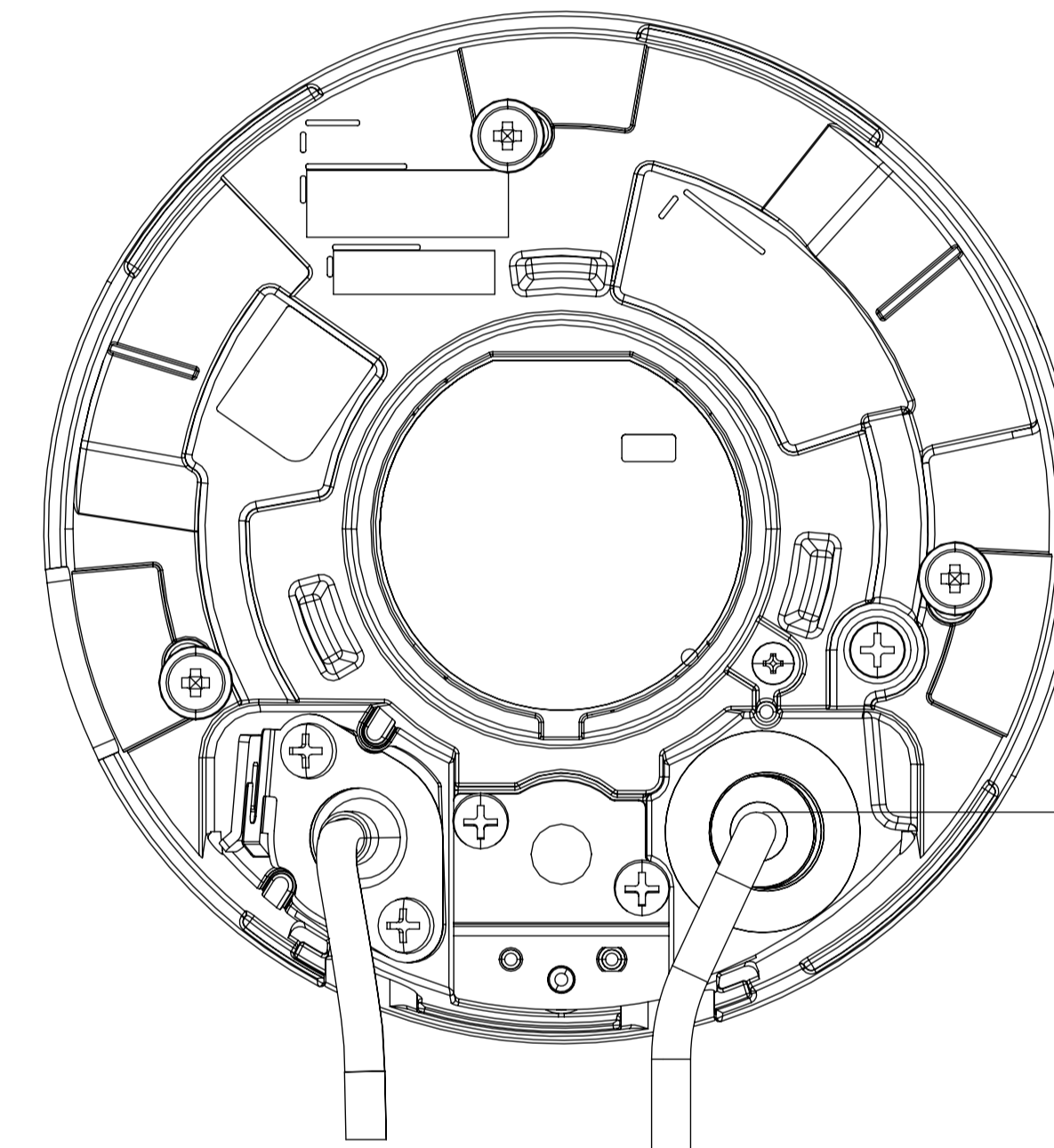


Lens type : 5MP



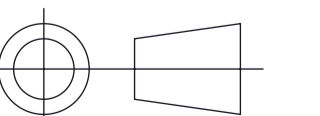
Lens type : 12MP

Without Enclosure

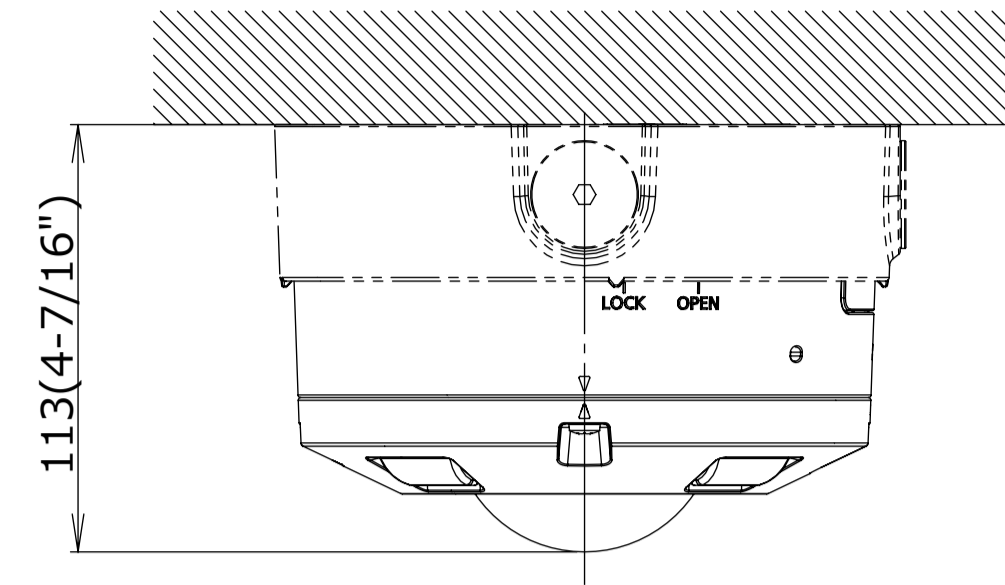
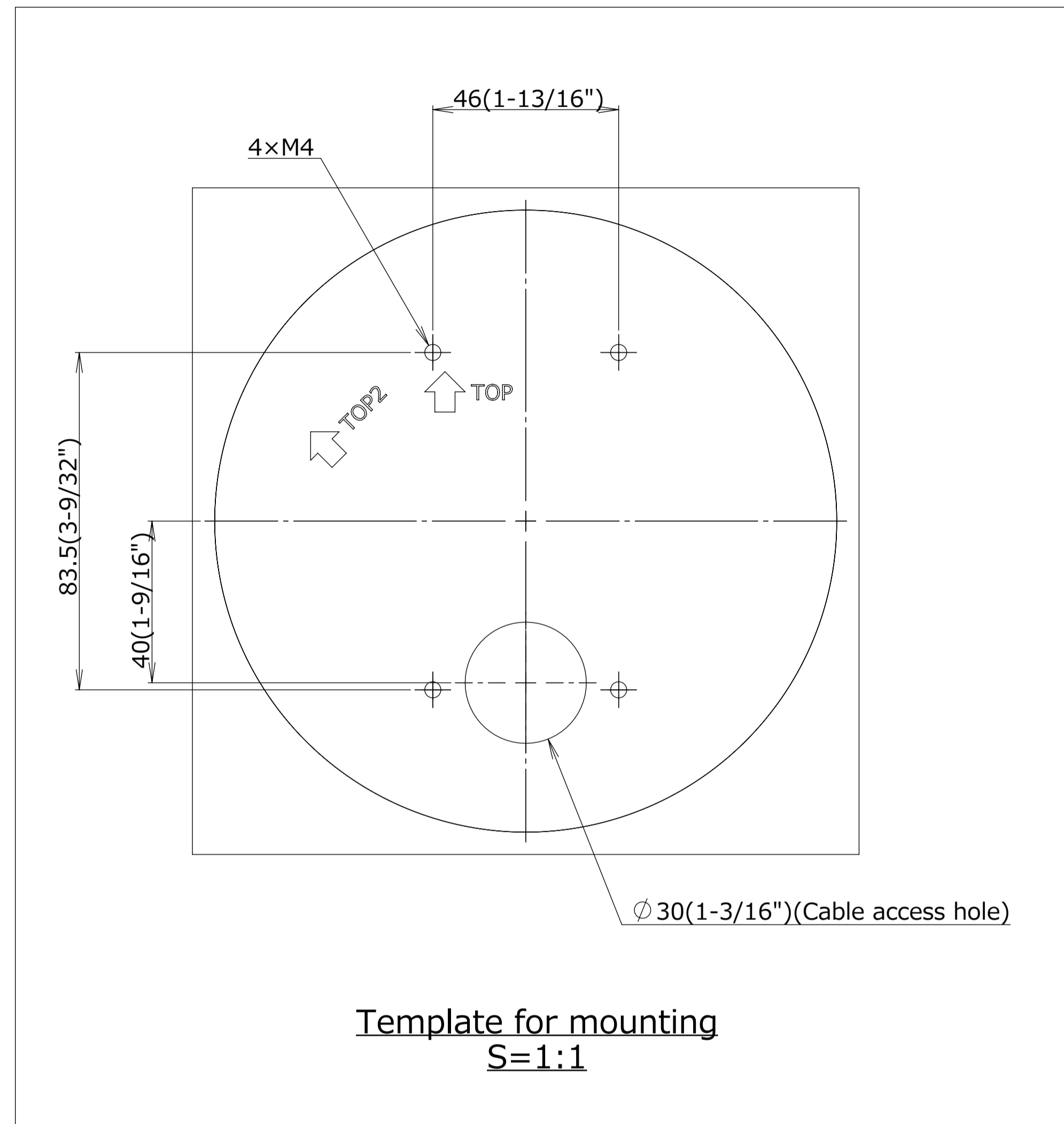


Cable length from outline : Approx. 250(9-27/32")  
(Optional accessory)

Unit:mm

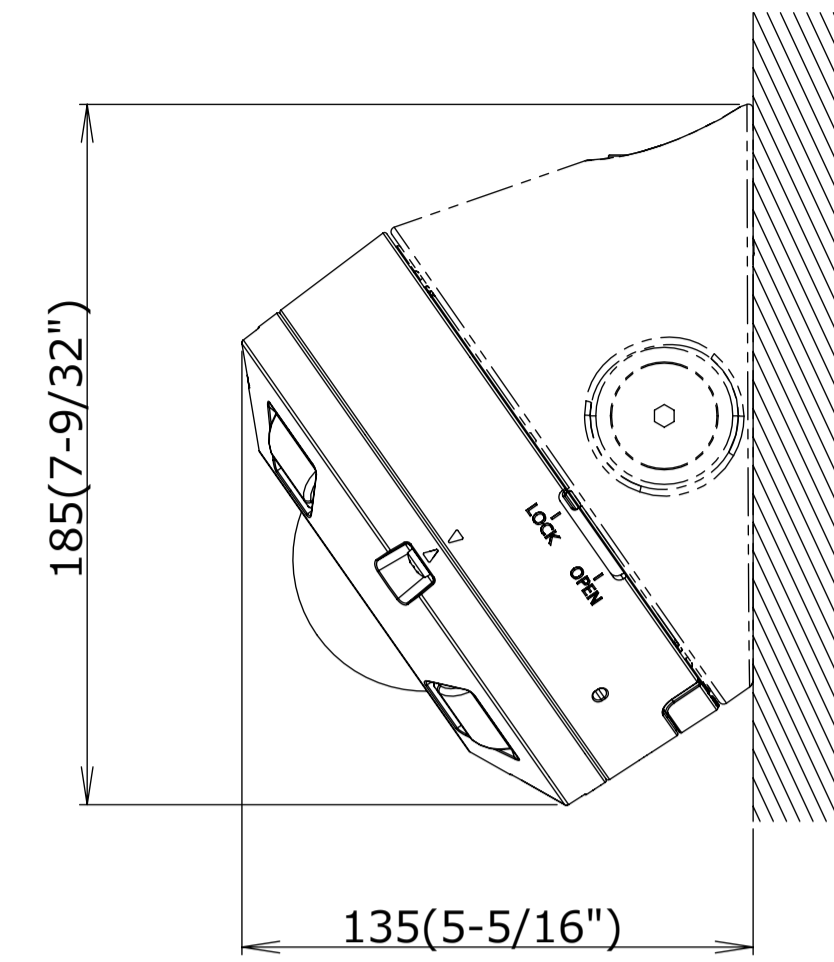


金具との組み合わせ例  
Example of combination with bracket



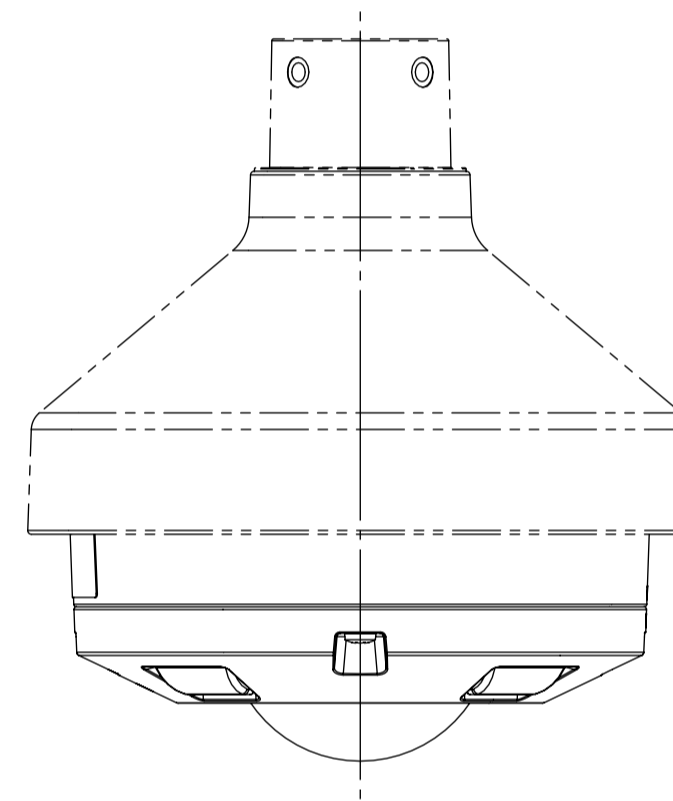
Attach to WV-QJB501A-\*\*

|               |   |
|---------------|---|
| 側面図/Side-view | 投影面積/Projected area<br>0.016(m <sup>2</sup> ) |
|---------------|---|



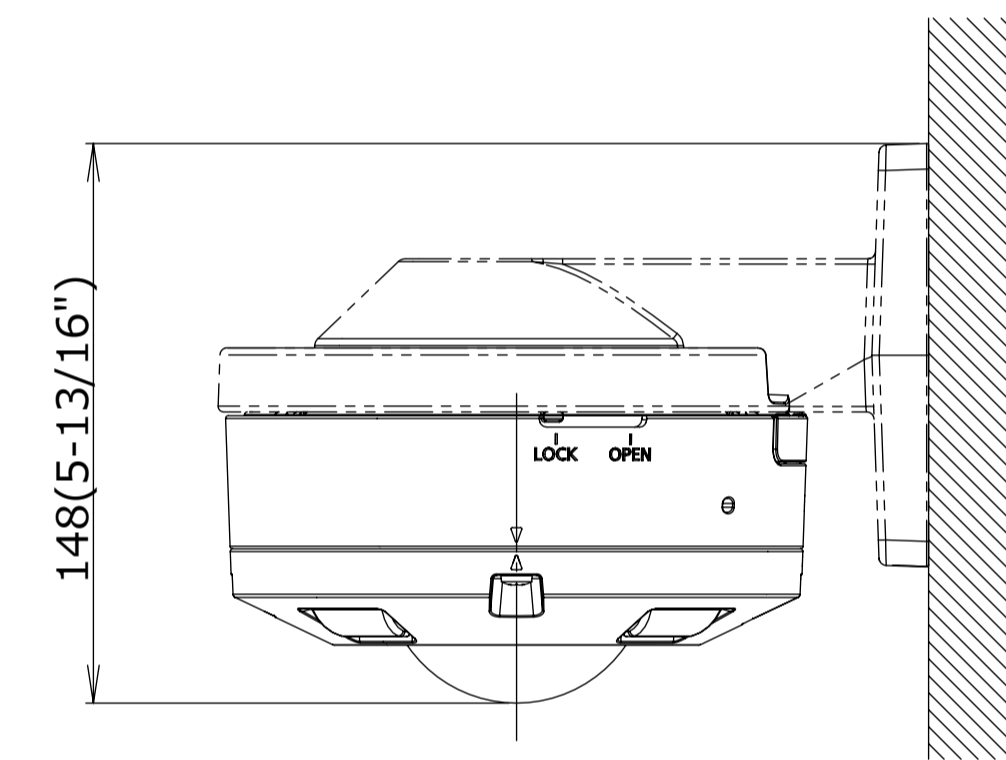
Attach to WV-QJB507-\*\*

|               |   |
|---------------|---|
| 側面図/Side-view | 投影面積/Projected area<br>0.018(m <sup>2</sup> ) |
|---------------|---|



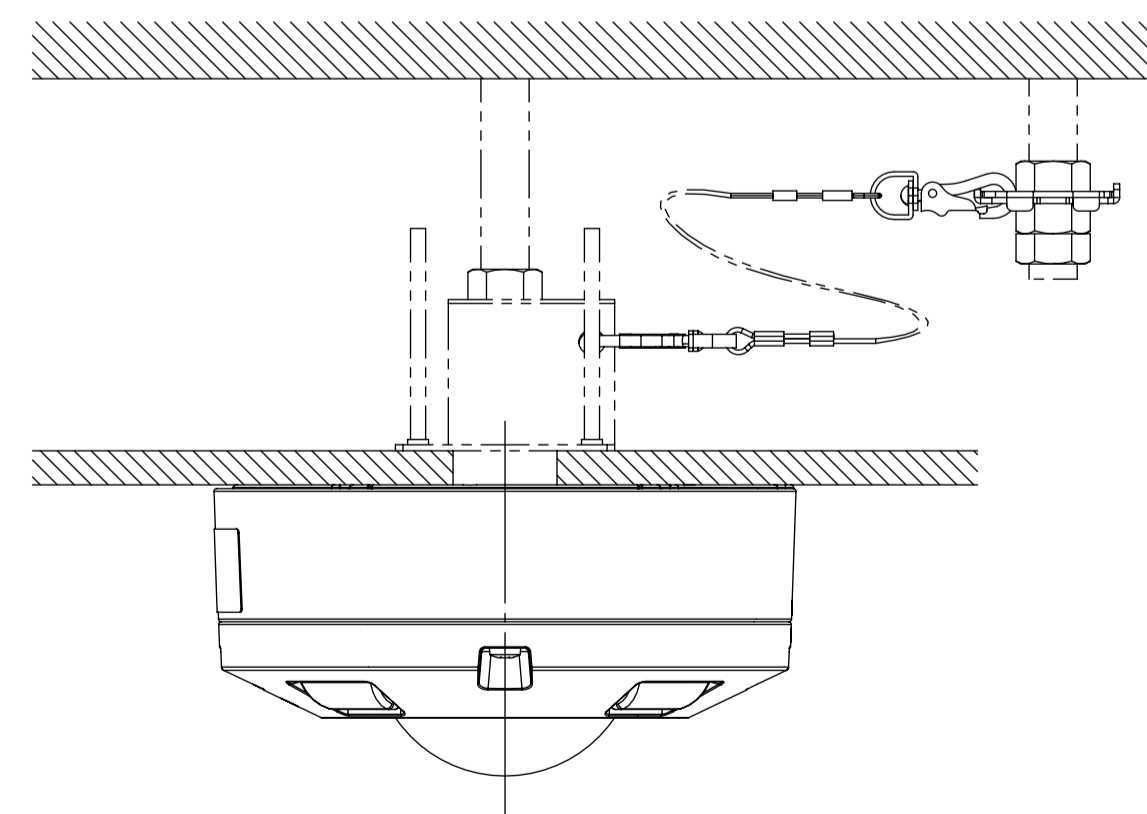
Attach to WV-QSR501-\*\*\*

|   |   |
|---|---|
| 側面図/Side-view<br>(嵌合部除く)<br>(Excluding the mating part) | 投影面積/Projected area<br>0.020(m <sup>2</sup> ) |
|---|---|

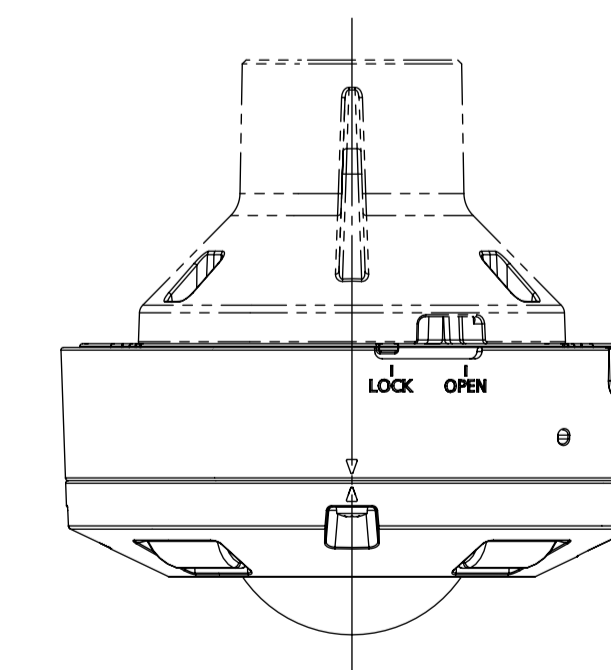


Attach to WV-QWL500-\*\*

|               |   |
|---------------|---|
| 側面図/Side-view | 投影面積/Projected area<br>0.018(m <sup>2</sup> ) |
|---------------|---|

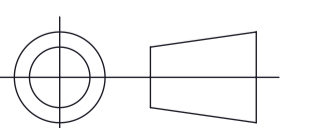


Attach to WV-Q105A



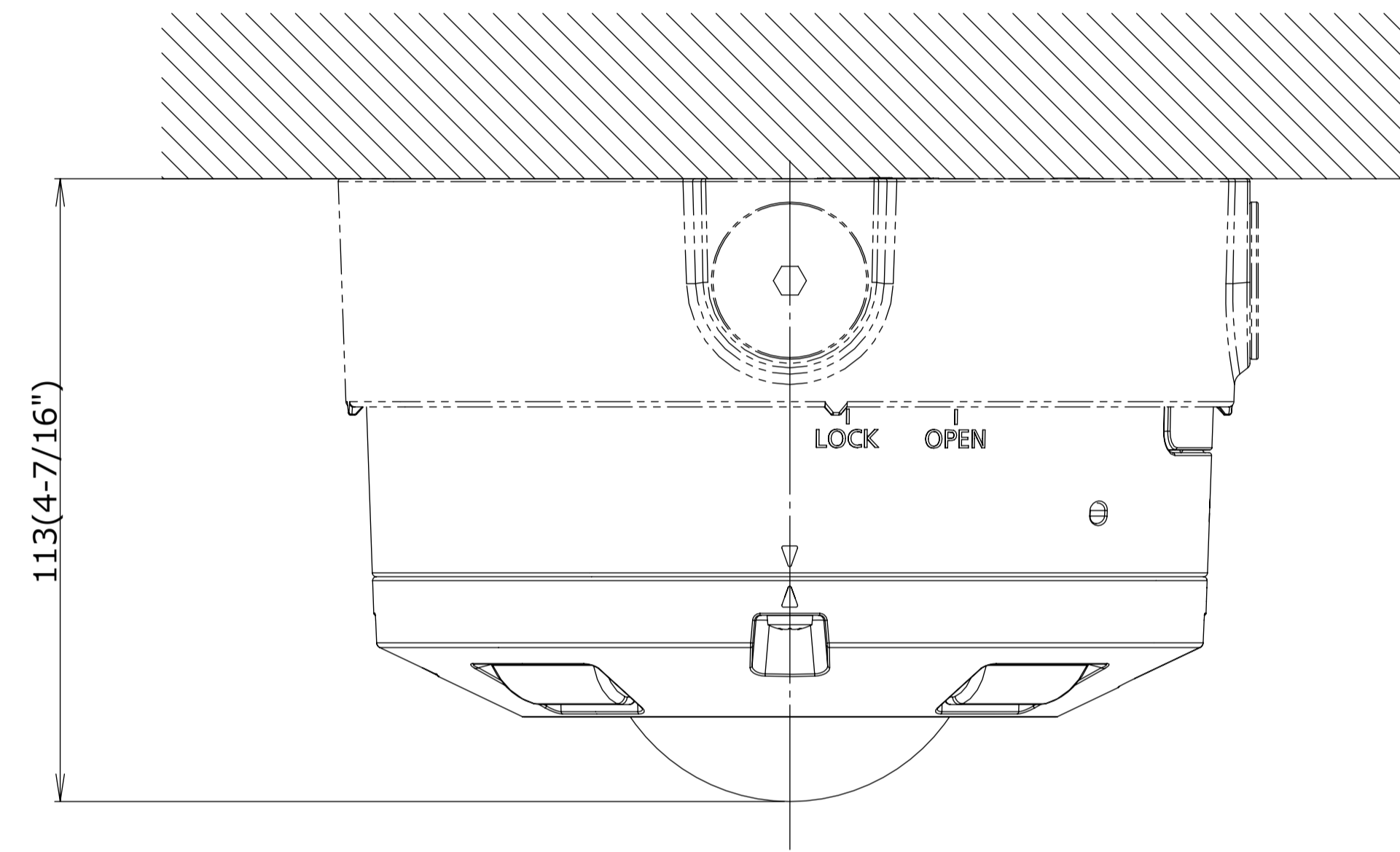
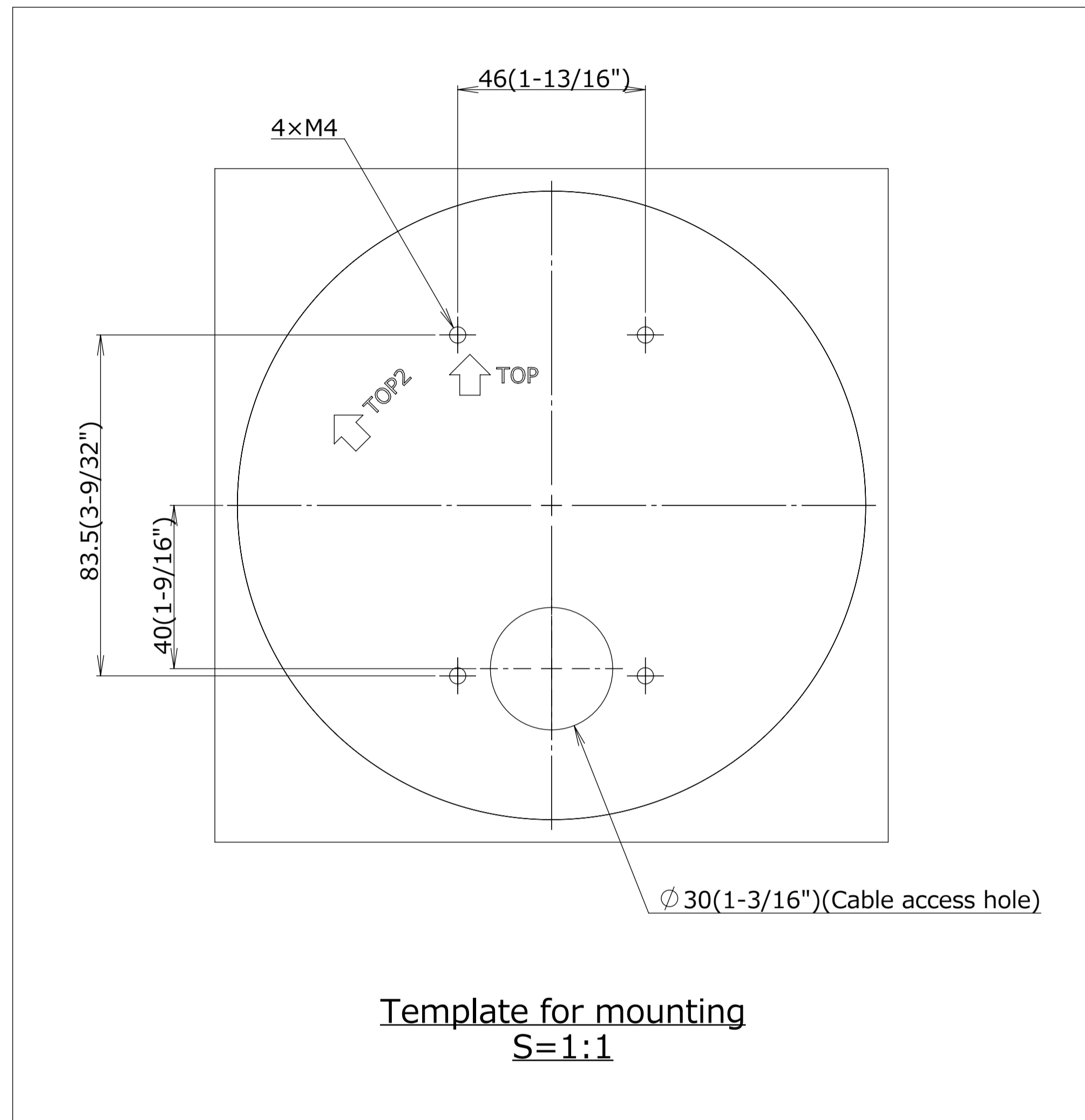
Attach to WV-QCL100\*\*

Unit:mm



金具との組み合わせ例  
Example of combination with bracket

車載モデル  
In-vehicle model



Attach to WV-QJB501A-\*\*

|               |                     |
|---------------|---------------------|
|               | 投影面積/Projected area |
| 側面図/Side-view | 0.016(m2)           |

Unit:mm

