

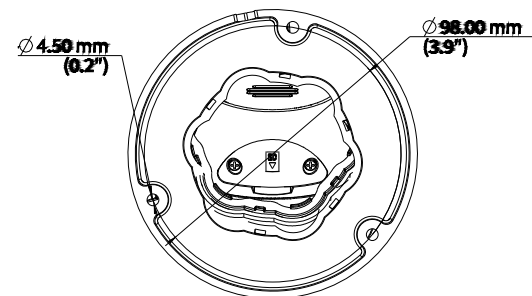
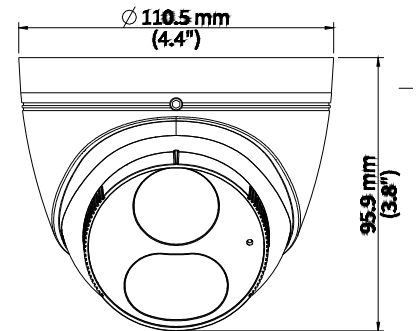
Overview

- 4 Megapixel IR
- True WDR 120dB
- 2.8mm Fixed Lens
- H.265, H.264, MJPEG
- Support 9:16 Corridor Mode
- IP67
- Built-in Mic & Speaker
- NDAA Compliant
- ONVIF Profile G, S, T



Technical Specifications

Device	
Image Sensor:	1/3", 4.0 Megapixel, Progressive Scan CMOS
Min Illumination:	Color: 0.003Lux (F1.6, AGC ON) 0Lux with IR
Shutter Time:	Auto/Manual, 1 ~ 1/100000s
Lens:	2.8mm @1.6
WDR:	120dB
S/N	>52dB
Angle of View:	H:112.9°, V: 59.1°, O: 121.2°
Angle Adjustment:	Pan: 0° ~ 360° Tilt: 0° ~ 80° Rotate: 0° ~ 360°
3-Axis Adjustment:	Yes
Day & Night:	IR-Cut Filter with Auto Switch (ICR)
IR Range:	Up to 30m (98ft) IR range
Compression Standard	
Video Compression:	H.265, H.264, MJPEG
Video Bit Rate:	128 Kbps~16 Mbps
Two-Stream:	Yes
Analytics:	Crossline & Intrusion (based on Human Body Detection), Motion Detection, Tampering Alarm, Audio Detection
Image	
Max. Image Resolution:	2688 x 1520
Frame Rate:	25fps (2688 x 1520)
ROI Codec:	Up to 8 areas
Image Setting:	White Balance, Digital Noise Reduction, Smart IR, Flip, HLC, BLC, Digital defog
Privacy Mask:	4 Areas



Technical Specifications

Network					
Protocols:	IPv4, IGMP, ICMP, ARP, TCP, UDP, DHCP, RTP, RTSP, RTCP, RTMP, DNS, DDNS, NTP, FTP, UPnP, HTTP, HTTPS, SMTP, SSL/TLS, 802.1x, SNMP, PPPoE				
Interface					
Communication Interface:	1 RJ45 10M/100M Base-TX Ethernet				
Edge Storage:	Micro SD, up to 512GB				
Audio:	Built-in Mic & Speaker				
Audio Compression:	G.711U, G.711A				
DORI					
DORI Distance	Lens (mm)	Detect (m)	Observe (m)	Recognize (m)	Identify (m)
	2.8	63.0 (206.7 ft.)	25.2 (82.7 ft.)	12.6 (41.3 ft.)	6.3 (20.7 ft.)
General					
Safety	CE LVD (EN 62368-1) CB (IEC 62368-1)UL/CUL (UL 62368-1, CAN/CSA C22.2 No. 62368-1)				
EMC	FCC: FCC 47 CFR part15 B CE-EMC: EN 55032/ EN 55035/ EN IEC 61000-3-2/ EN 61000-3-3				
Operating Conditions:	Temperature:-30°C ~ 60°C (-22°F ~ 140°F), Humidity: ≤95% RH (Non-Condensing)				
Power Consumption:	Max 5.0W				
Power Supply:	DC 12V±25%, PoE (IEEE 802.3af)				
Weather Proof Rating:	IP67				
Vandal Resistant:	-				
Dimensions:	Φ118 x 96mm (Ø4.6" x 3.8")				
Weight:	0.30kg (0.66 lb.)				
Software:	No license required for use with Video Insight Software				

Optional Accessories

JUNCTION BOX	 M-JB-MINI	+	 M-NPT34
WALL	 M-WM-JB-MINI-V2	OR	 M-WM-MINI
POLE	 M-WM-JB-MINI-V2 OR  M-WM-MINI	+	 M-PM-B-V2
PENDANT	 M-JB-MINI	+	 M-Pendant