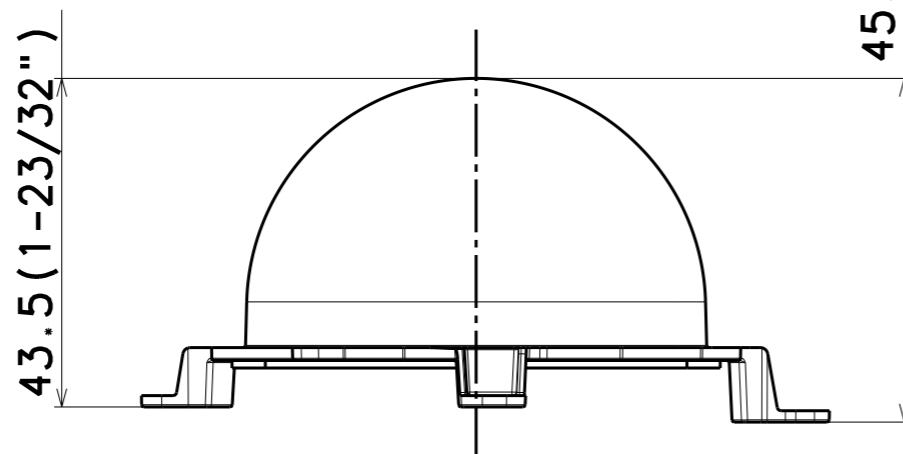
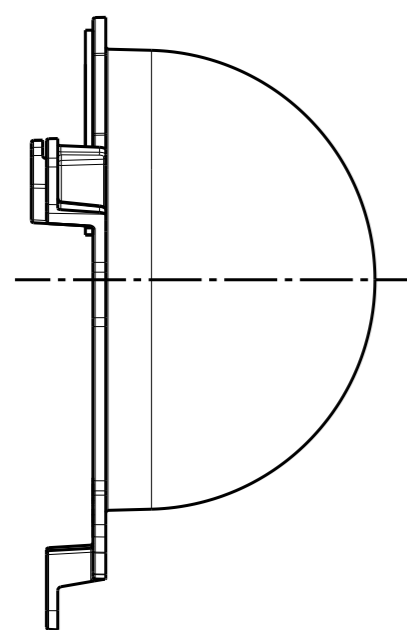
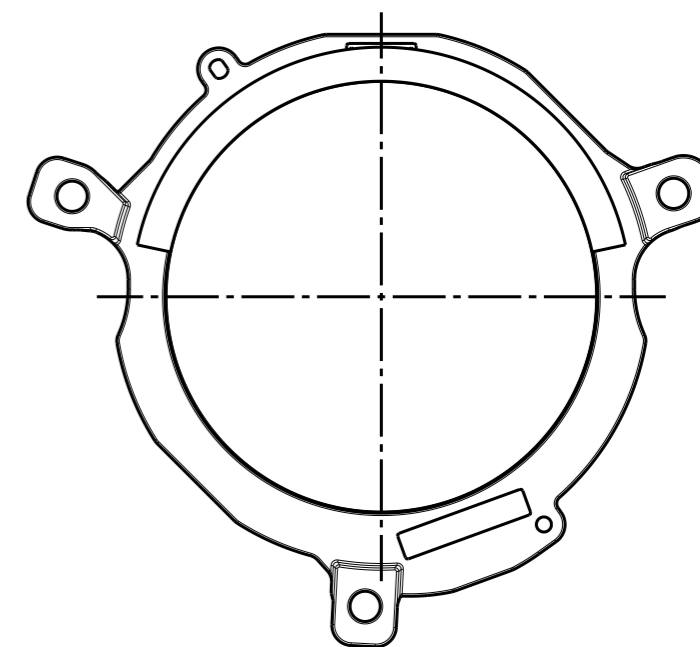
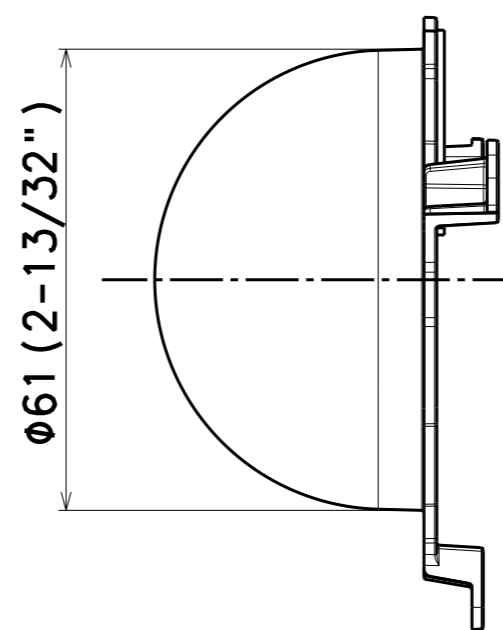
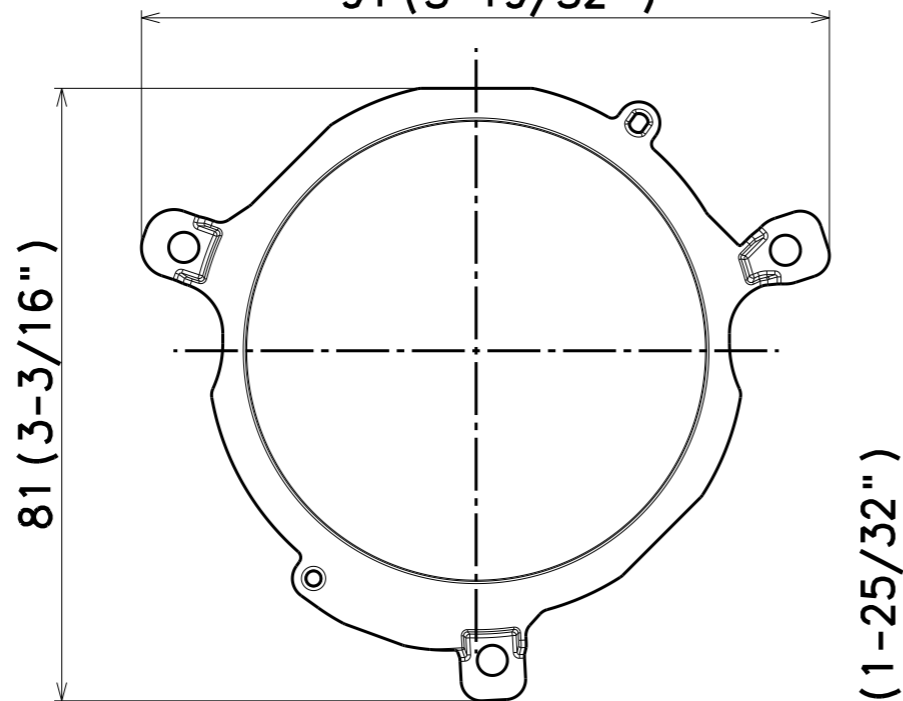


91 (3-19/32")



Model number
WV-QDC510C
WV-QDC510G

Mass : Approx. 20 g {0.04 lbs}

