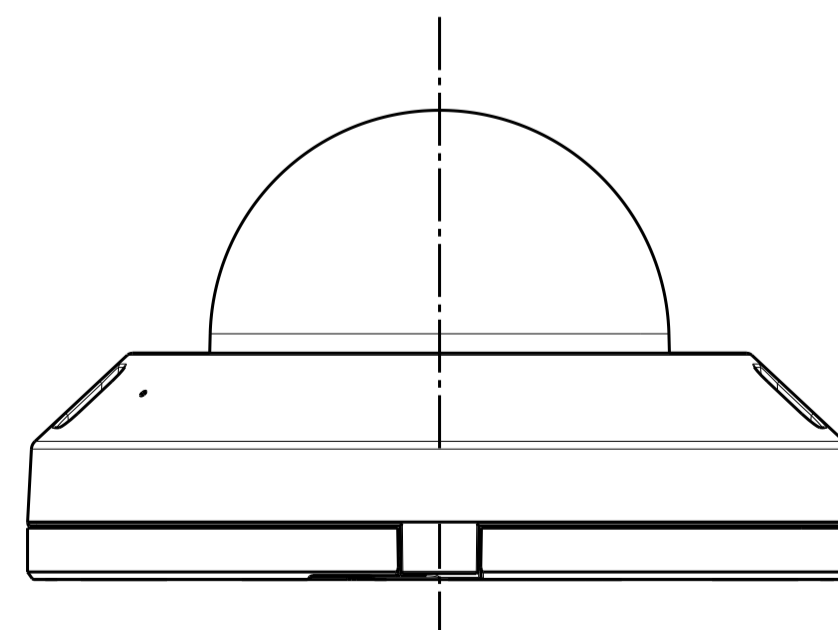


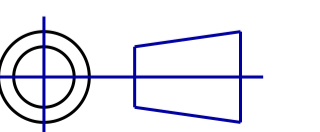
Template for mounting

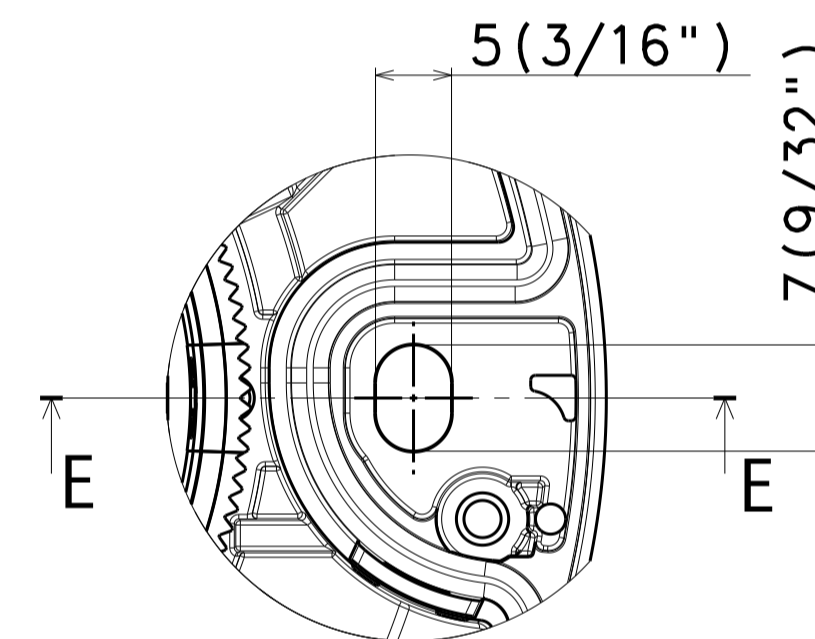
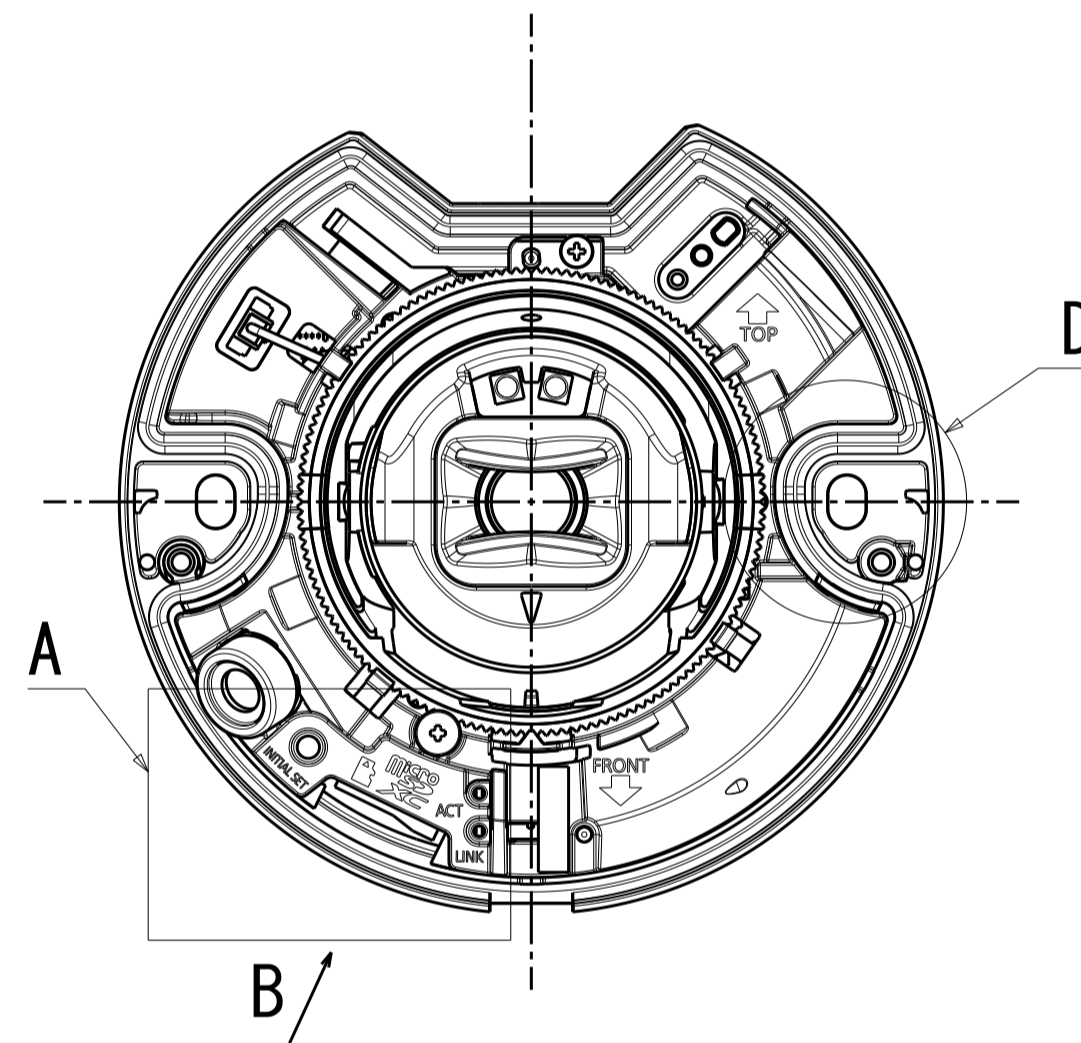
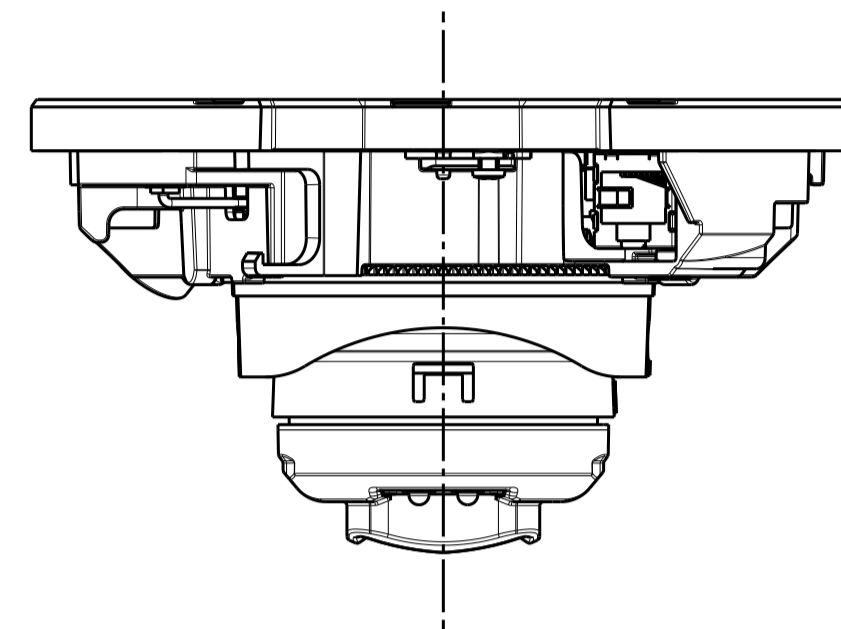
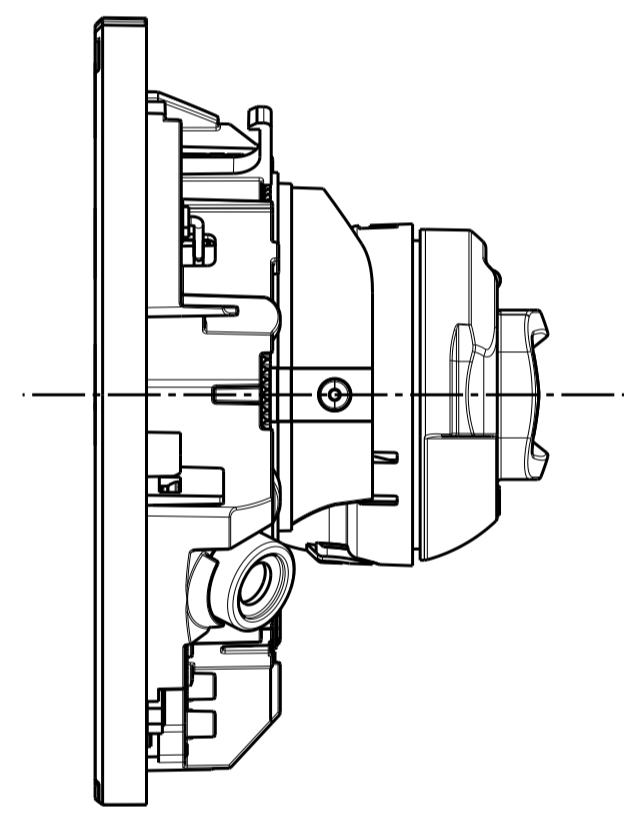
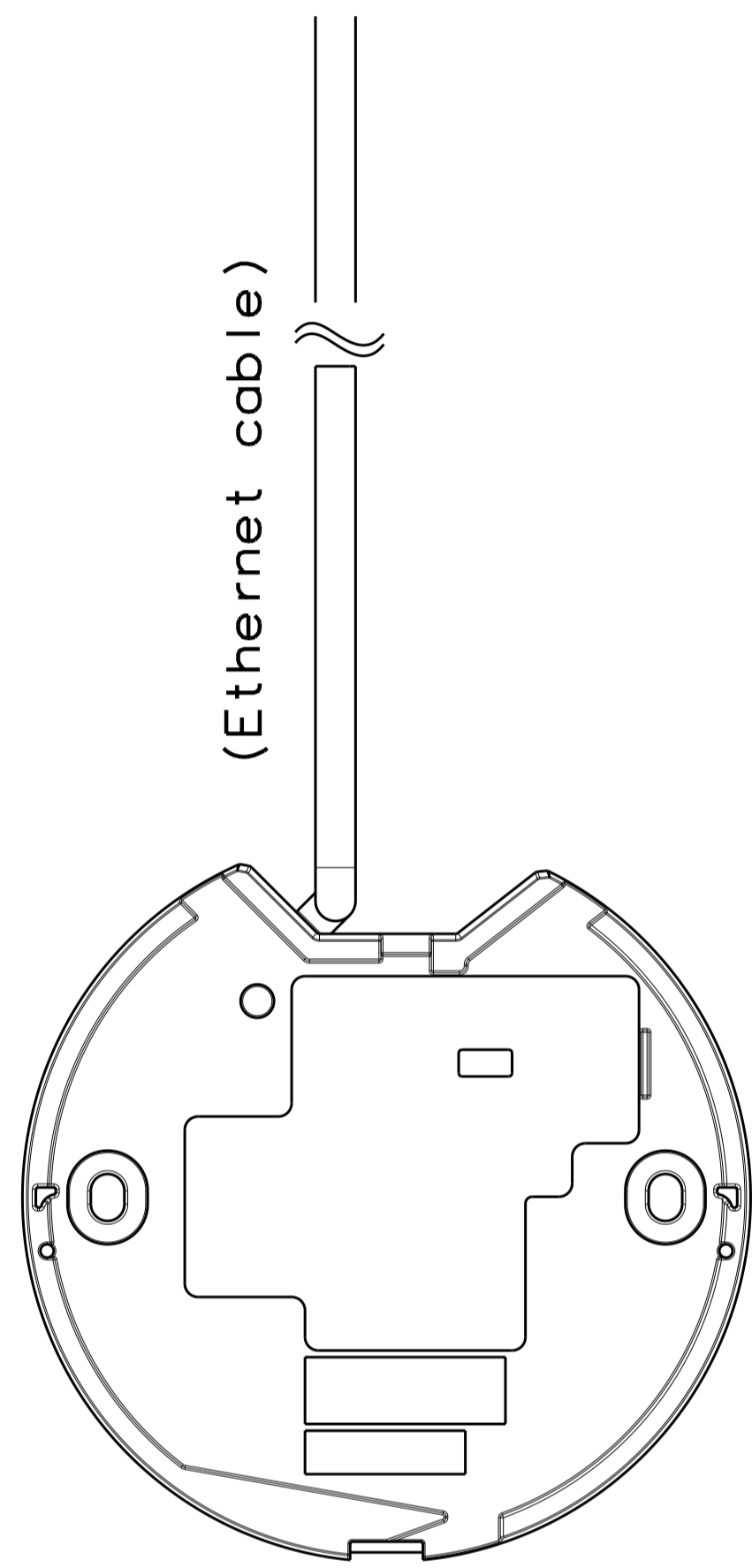


Model number
WV-U22501-F3L
WV-U22501-F3LJ
WV-U22301-F3L
WV-U22501-F3LV
WV-U22301-F3LV

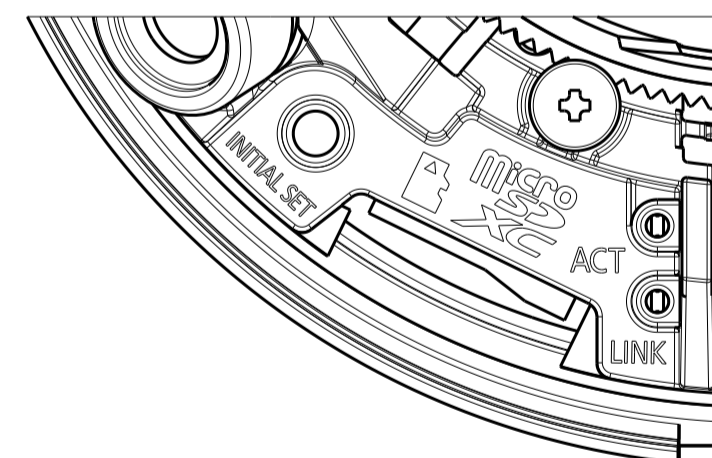
Mass : Approx. 270 g {0.60 lbs}

Unit:mm

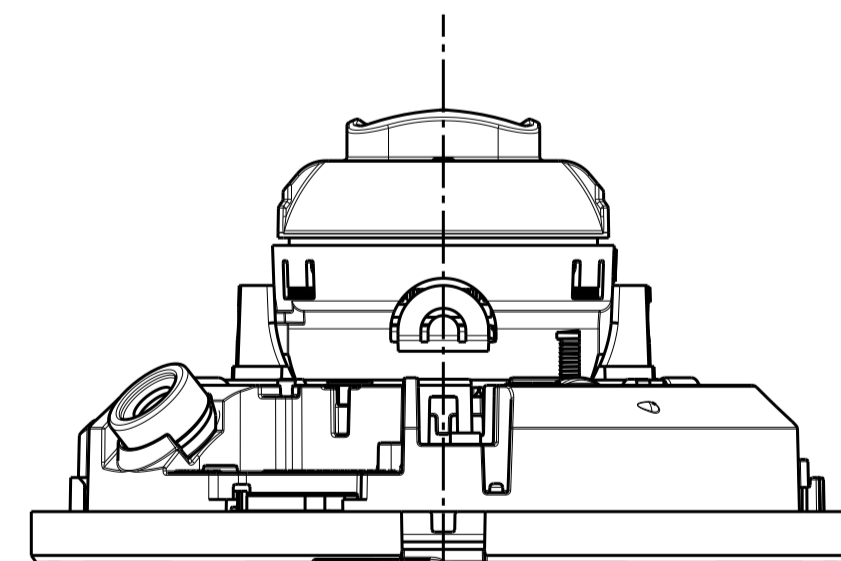




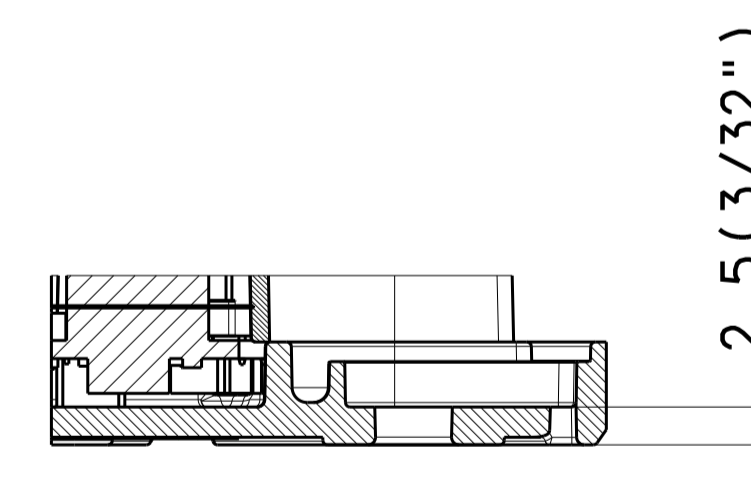
Detail D (2:1)
Symmetrical



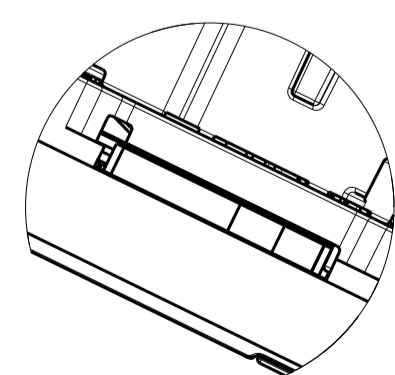
Detail A (2:1)



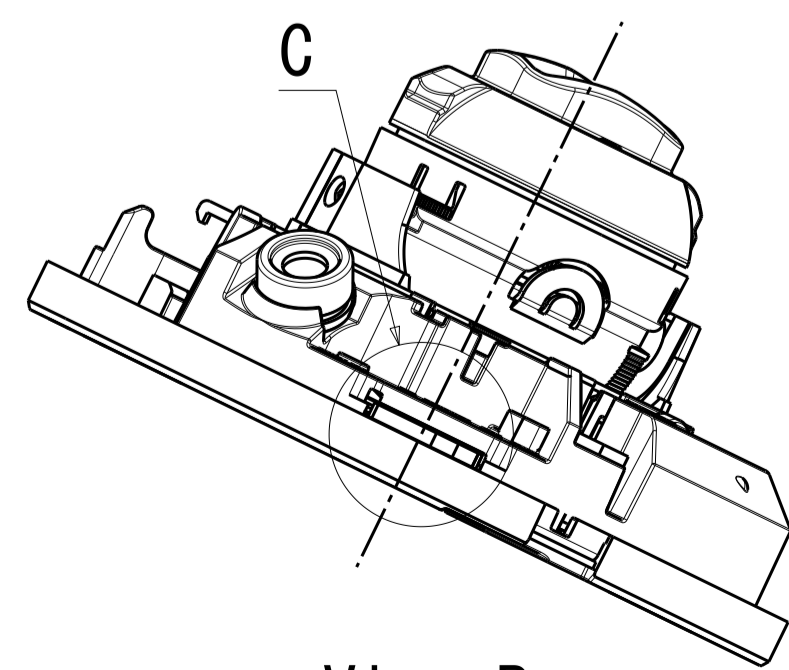
Without Enclosure



Sec E-E (2:1)
Symmetrical

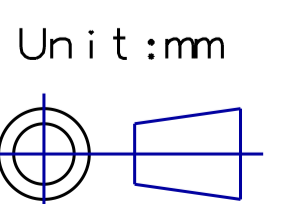


Detail C (2:1)

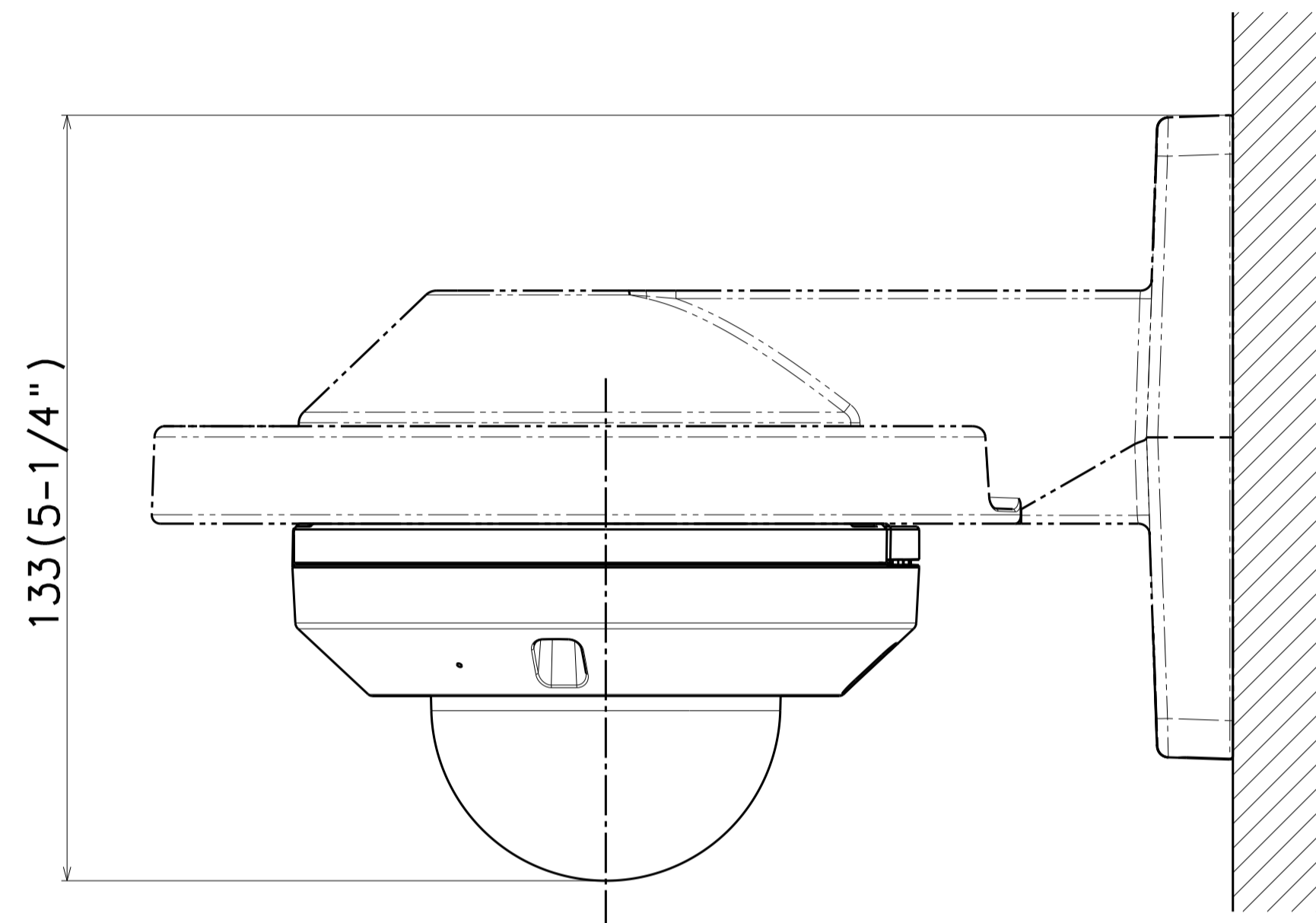


View B

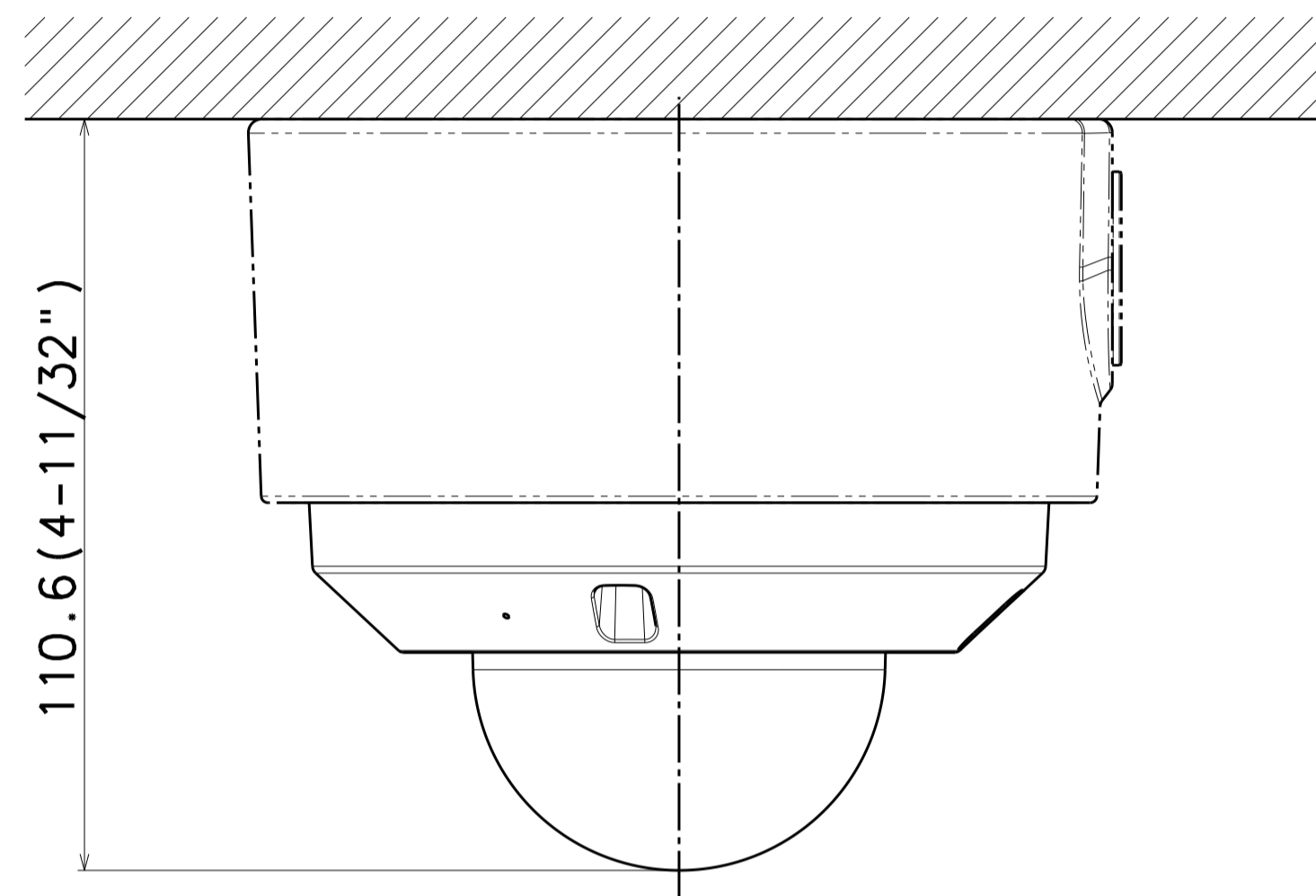
Model number
WV-U22501-F3L
WV-U22501-F3LJ
WV-U22301-F3L
WV-U22501-F3LV
WV-U22301-F3LV



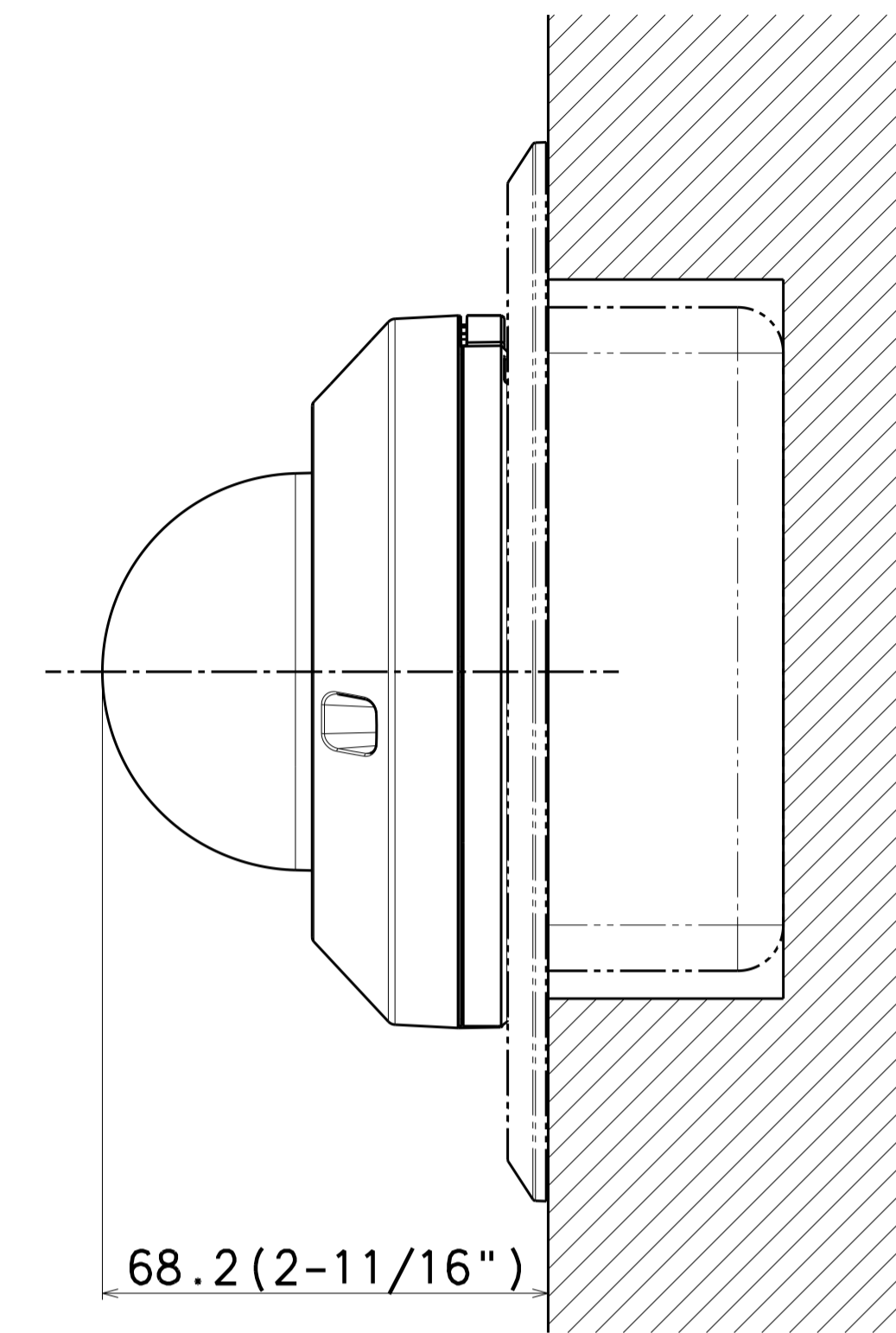
金具との組み合わせ例
Example of combination with bracket



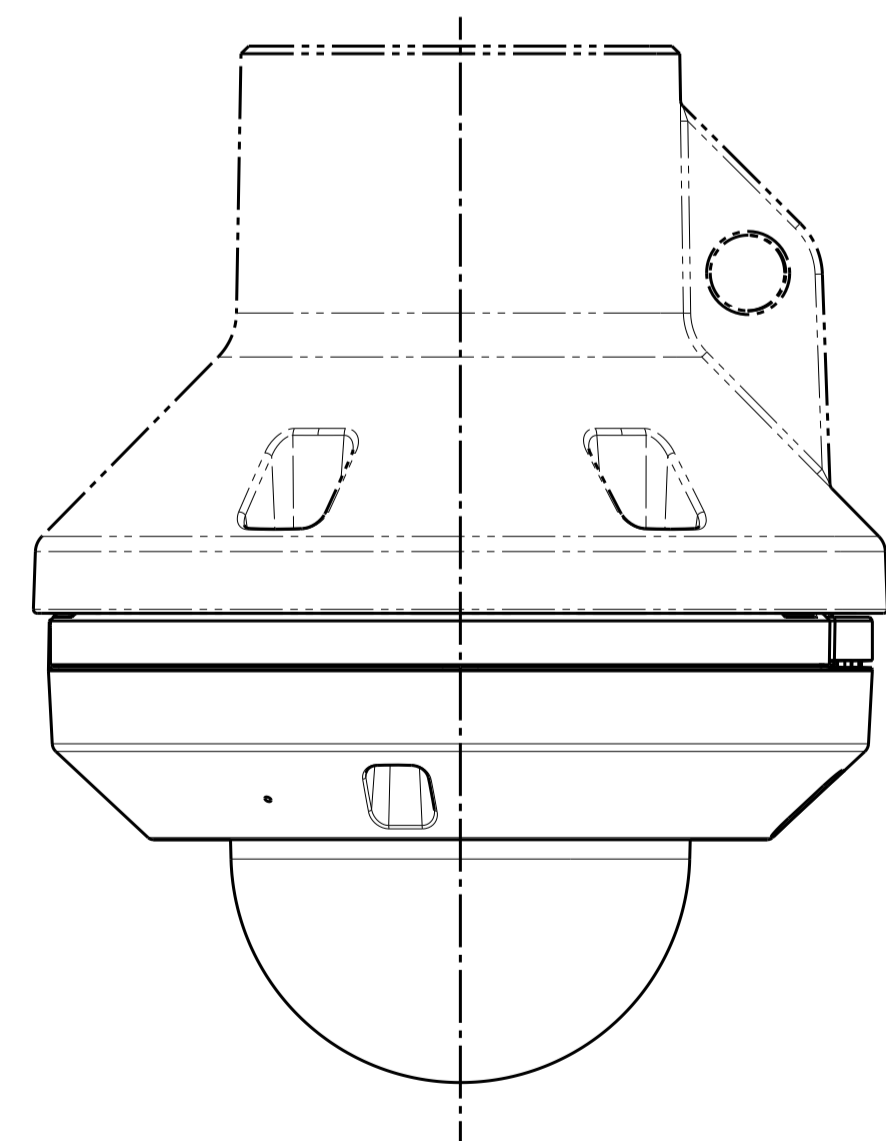
Attach to WV-QWL500-*



Attach to WV-QJB502-*



Attach to WV-QAT502-* & Gang Box



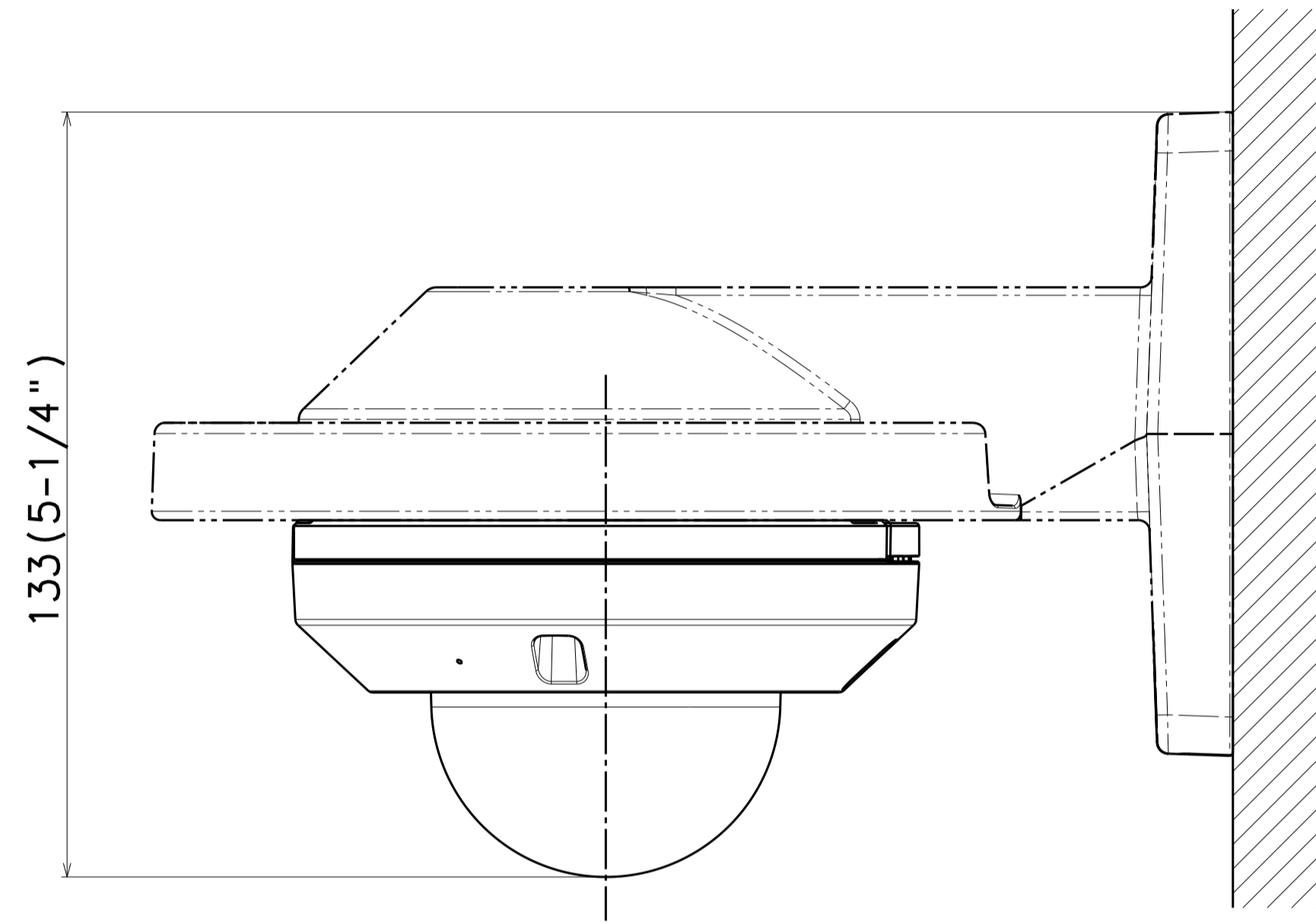
Attach to WV-QCL100-*

Model number
WV-U22501-F3L
WV-U22301-F3L
WV-U22501-F3LV
WV-U22301-F3LV

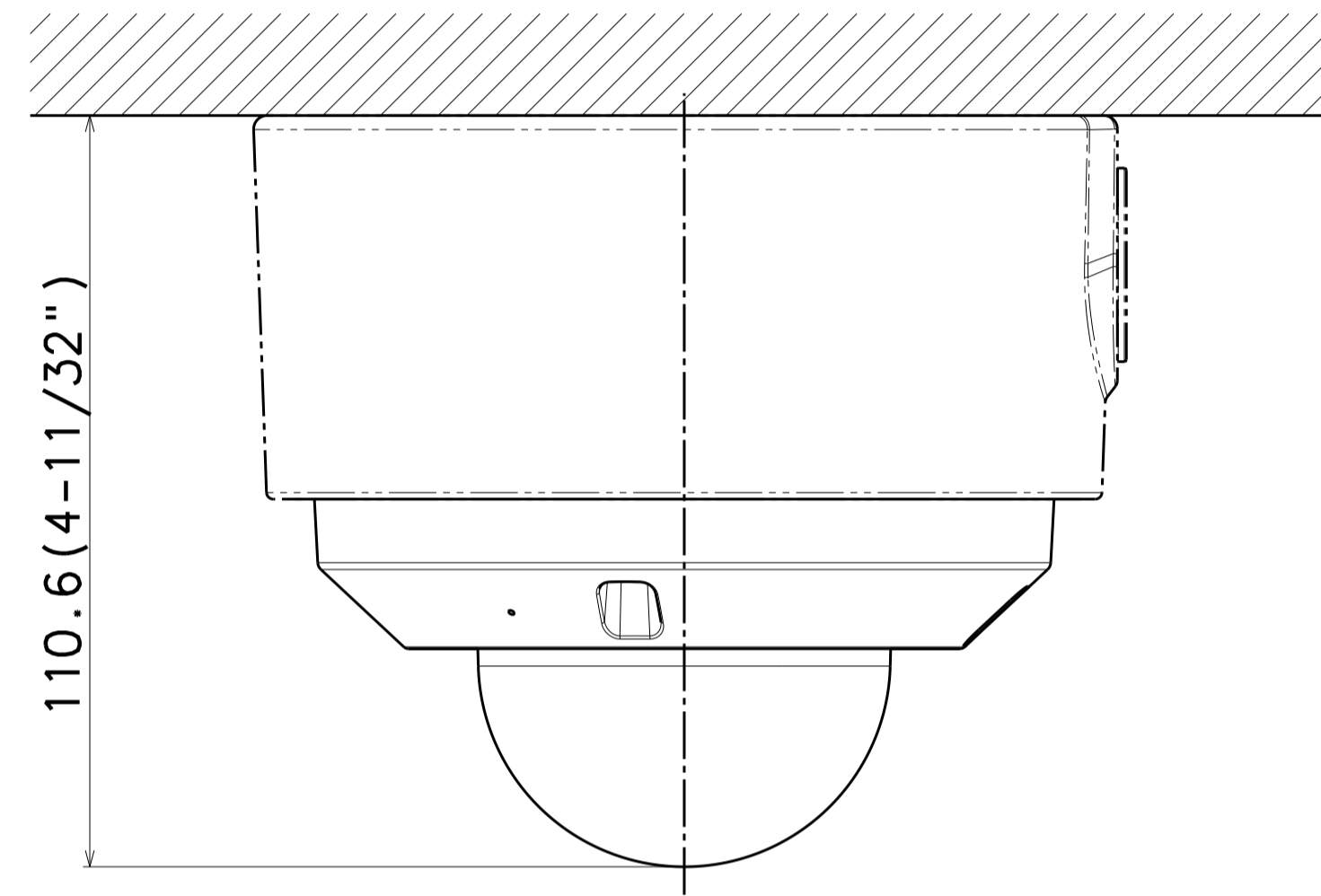
Unit:mm

金具との組み合わせ例
Example of combination with bracket

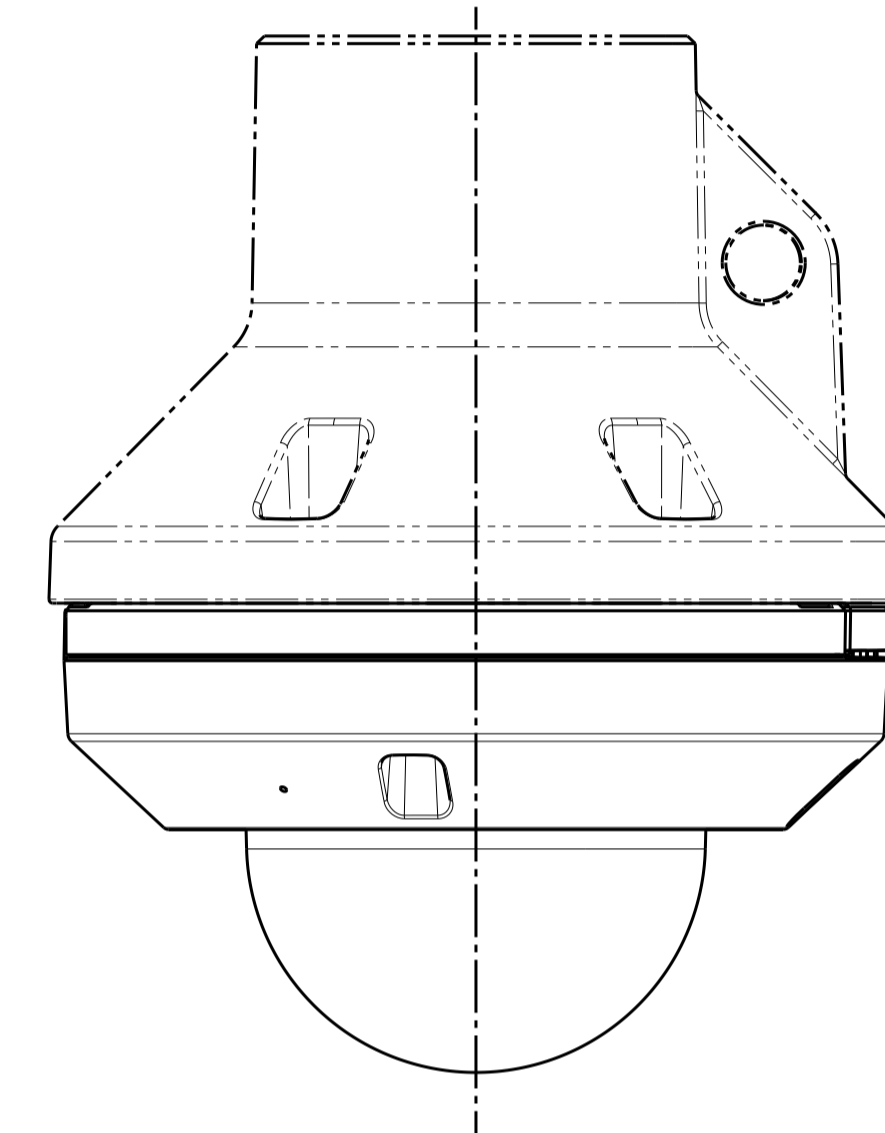
国内向け
Domestic



Attach to WV-QWL500-*



Attach to WV-QJB502-*



Attach to WV-QCL100-*

Model number
WV-U22501-F3LJ

Unit:mm

