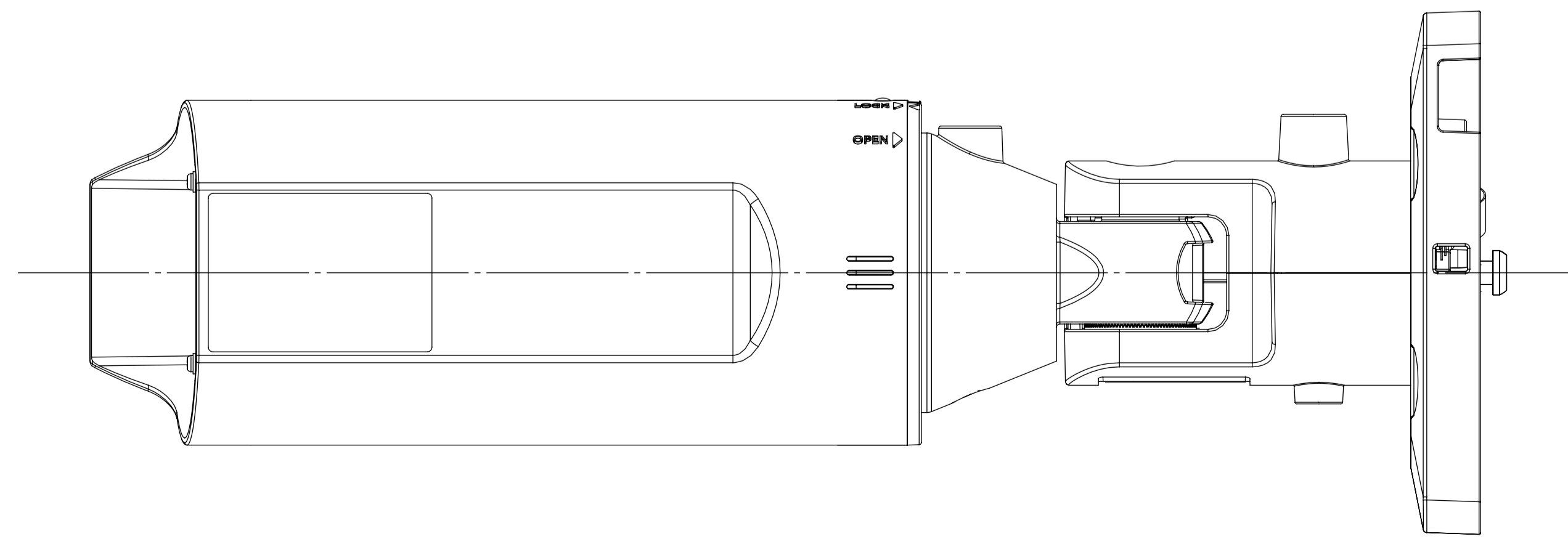
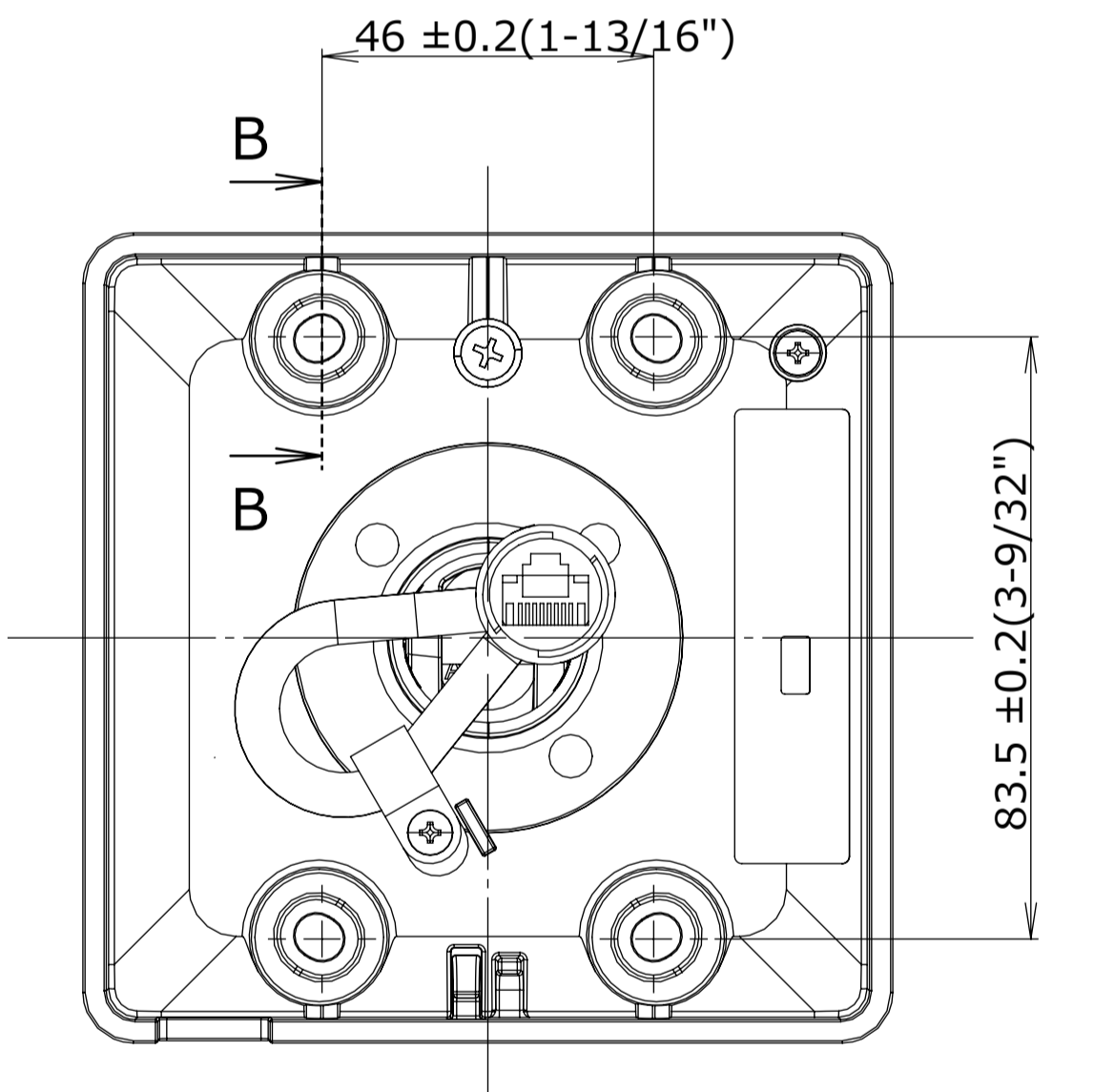
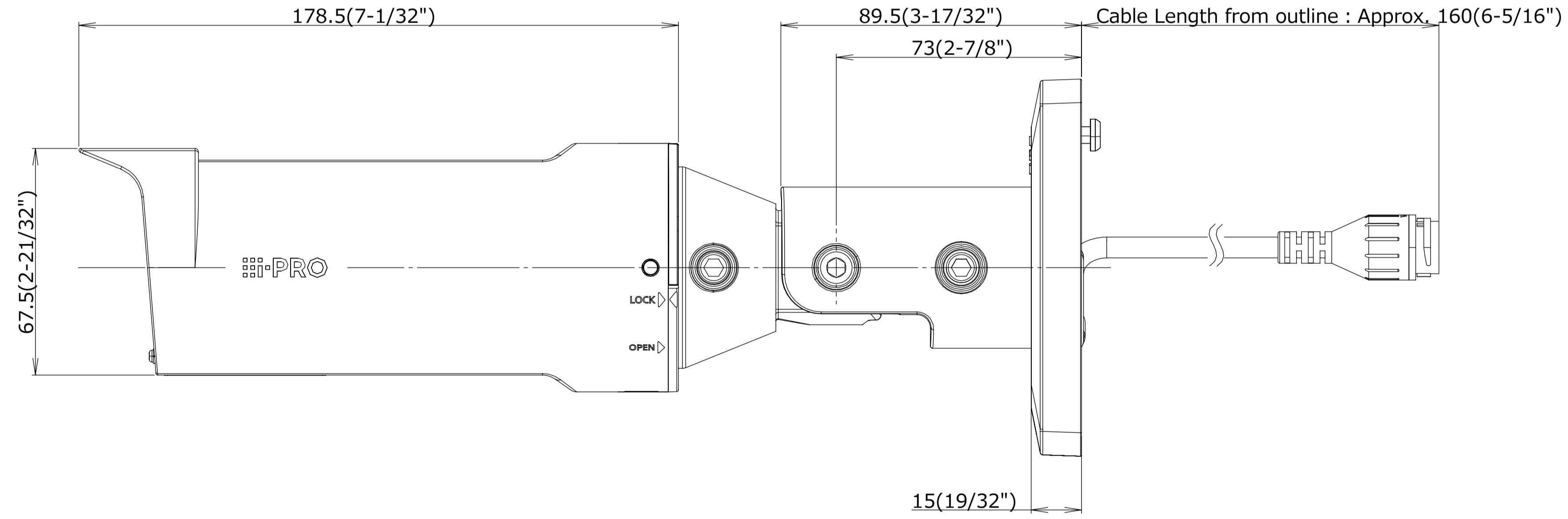
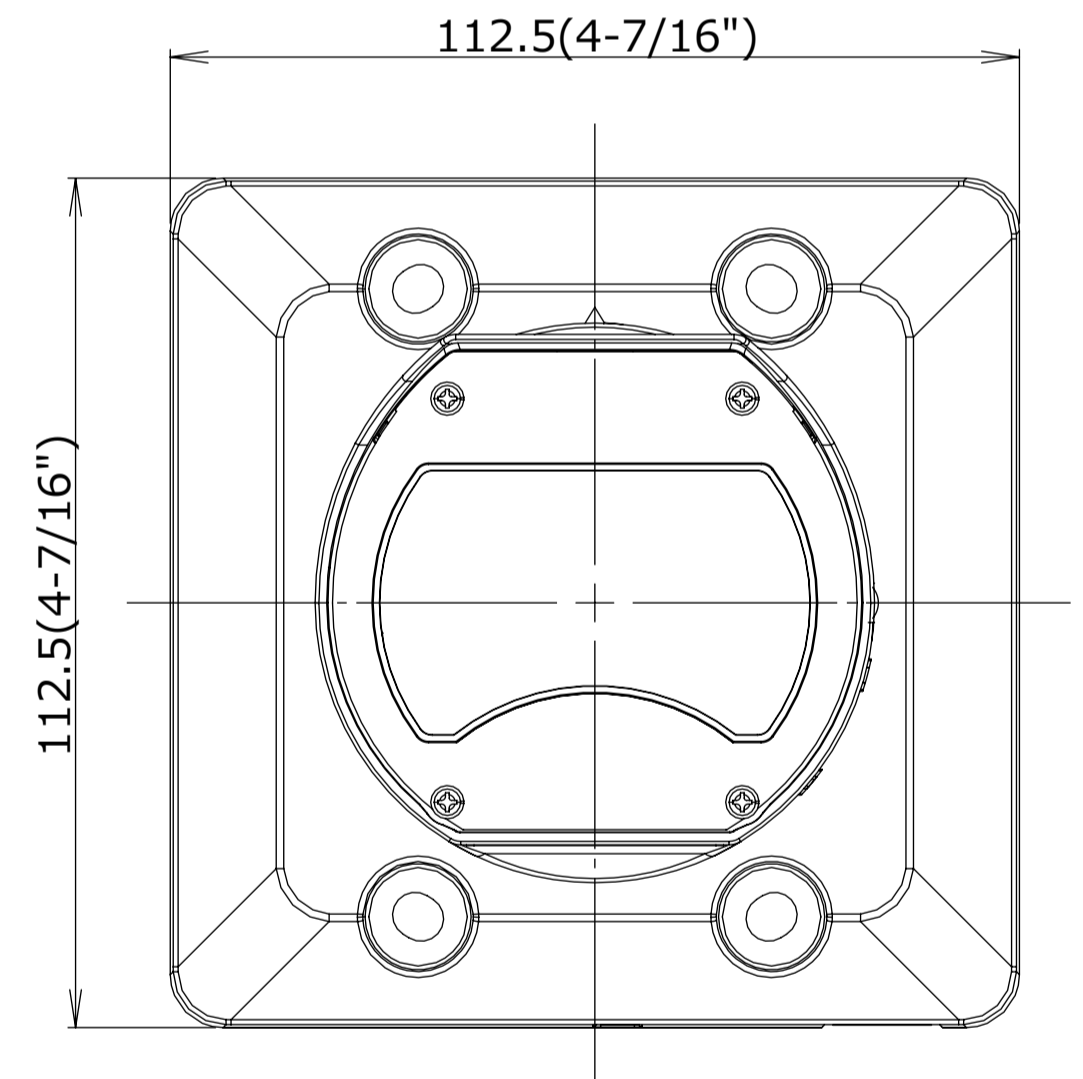
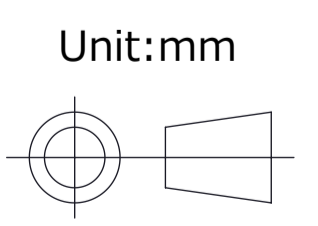


Sec B-B

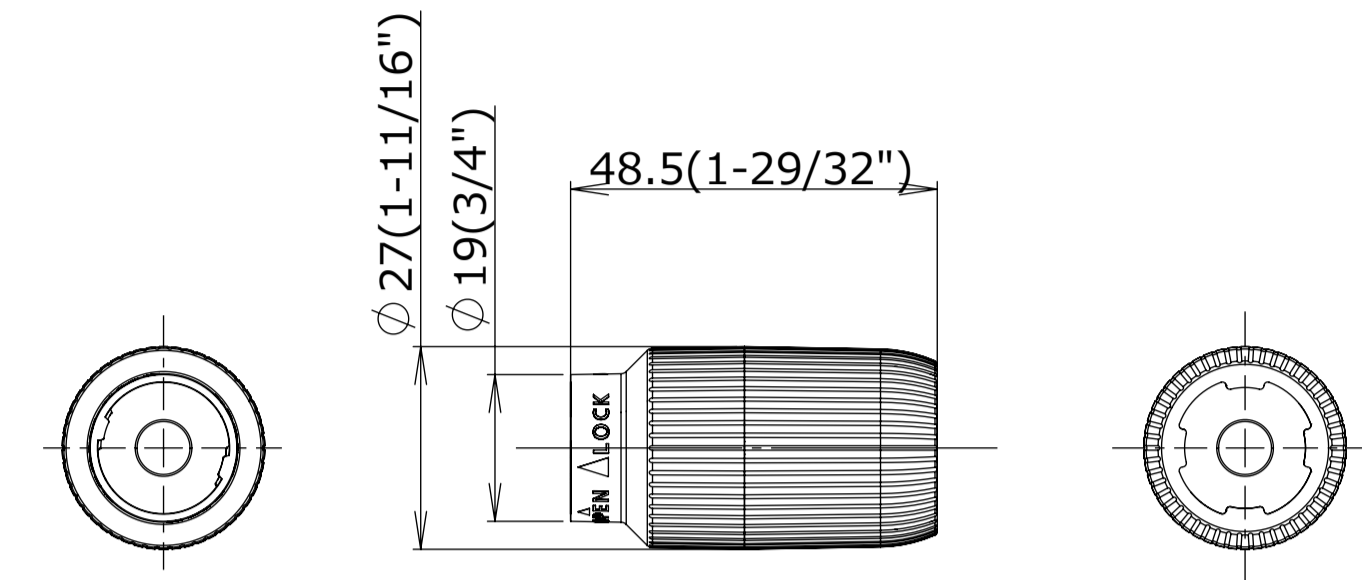
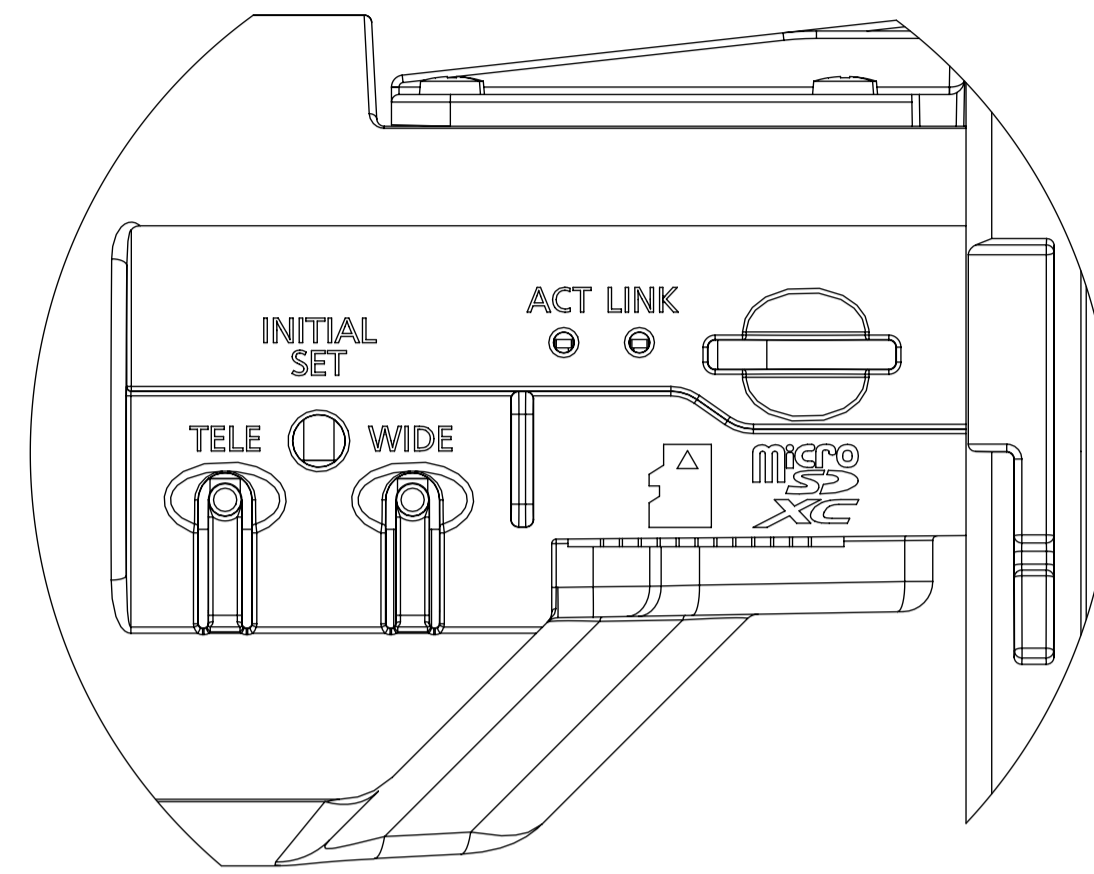


- Model number  
 WV-U15501-V3L  
 WV-U15501-V3LJ  
 WV-U15301-V3L  
 WV-U15301-V2LJ  
 WV-U15501-V3LV  
 WV-U15301-V3LV

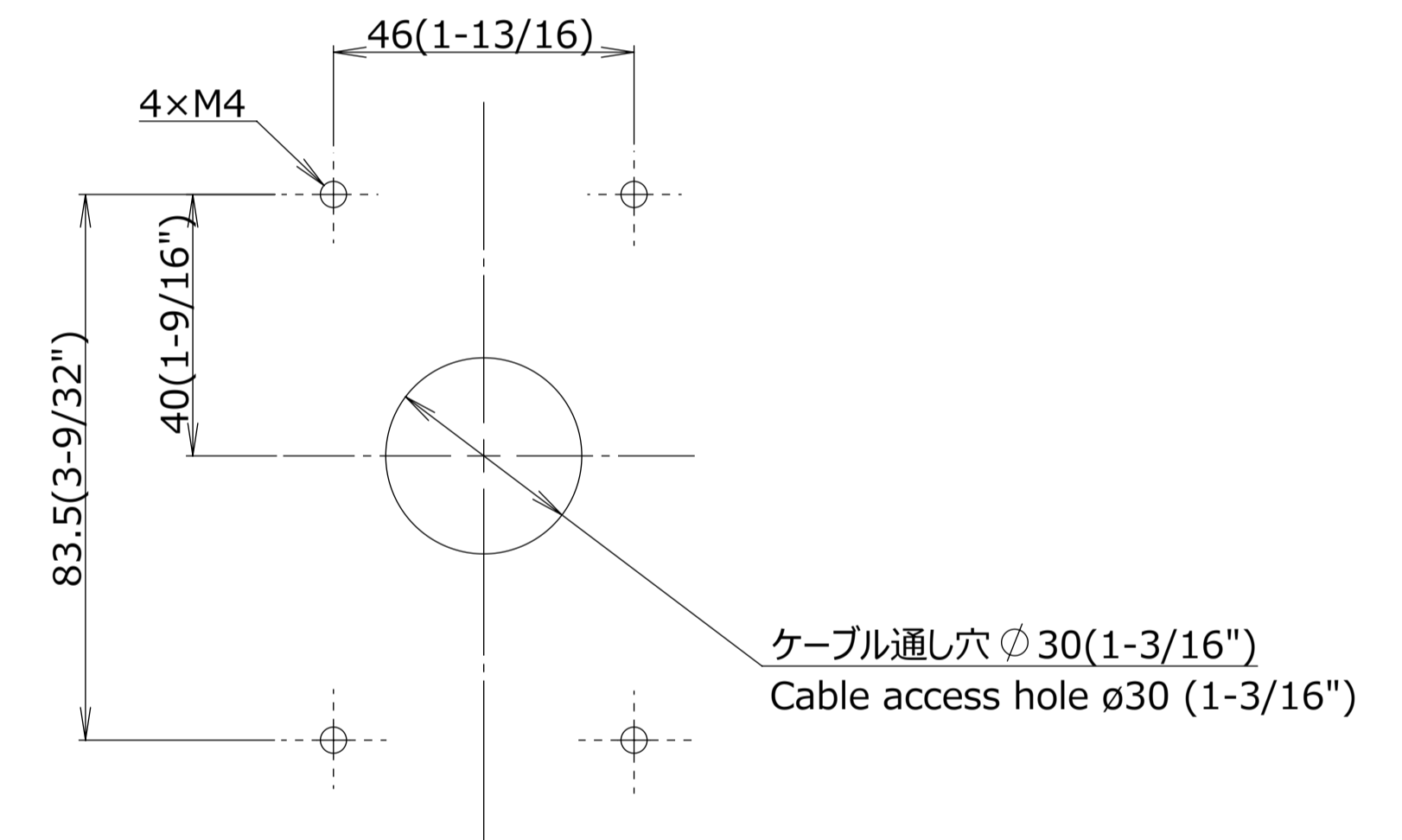
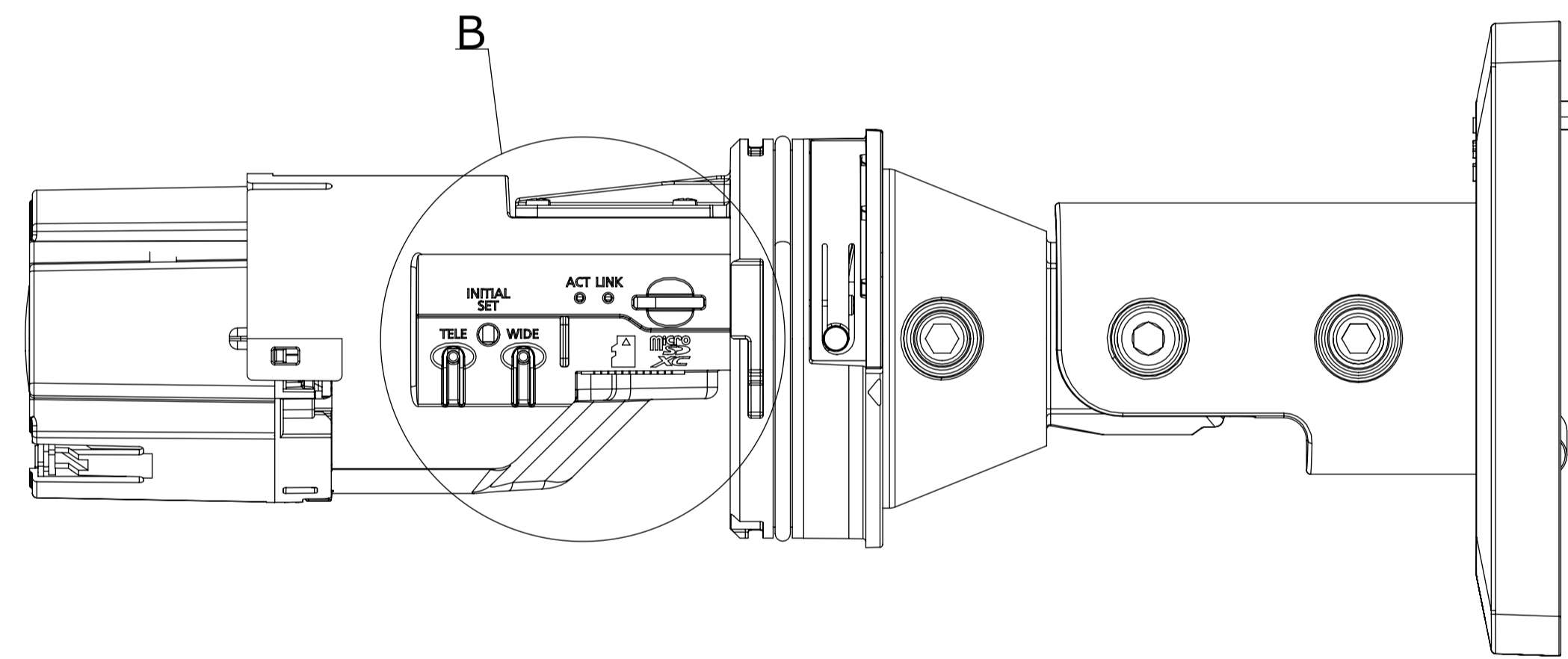
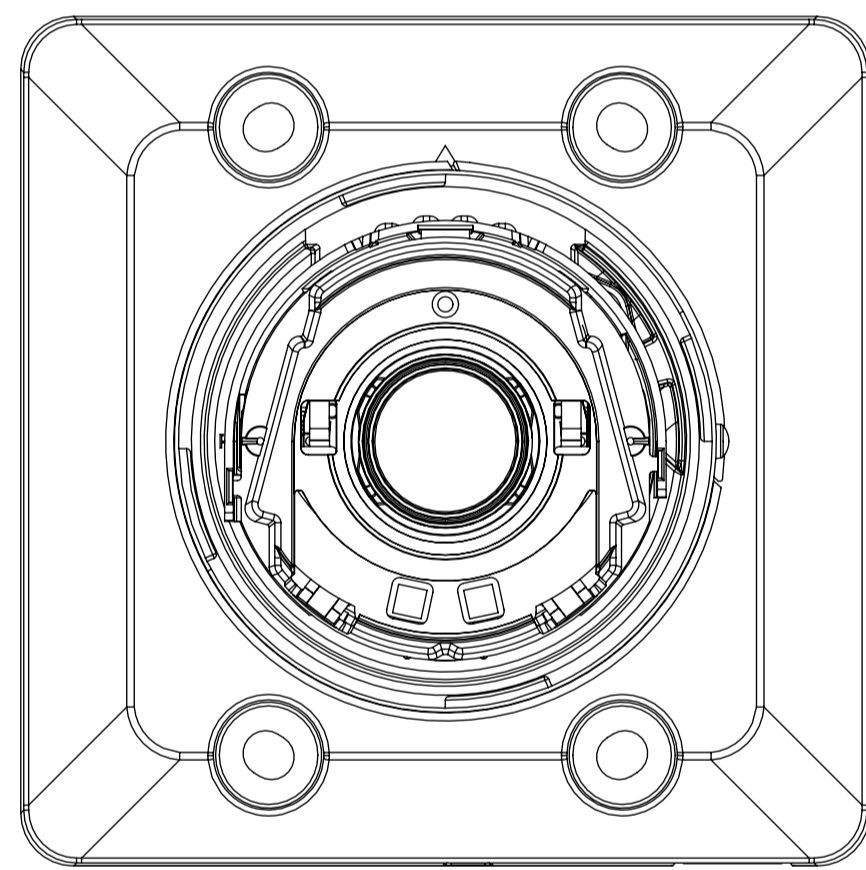


	投影面積/Projected area
正面図/Front view	0.017(m <sup>2</sup> )
側面図/Side-view	0.020(m <sup>2</sup> )

Mass : Approx. 1 kg {2.21 lbs}



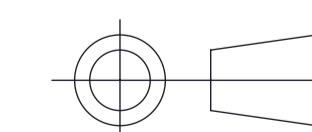
Detail B  
S= 2 : 1



カメラ取り付け位置  
Camera mounting position

Without Enclosure

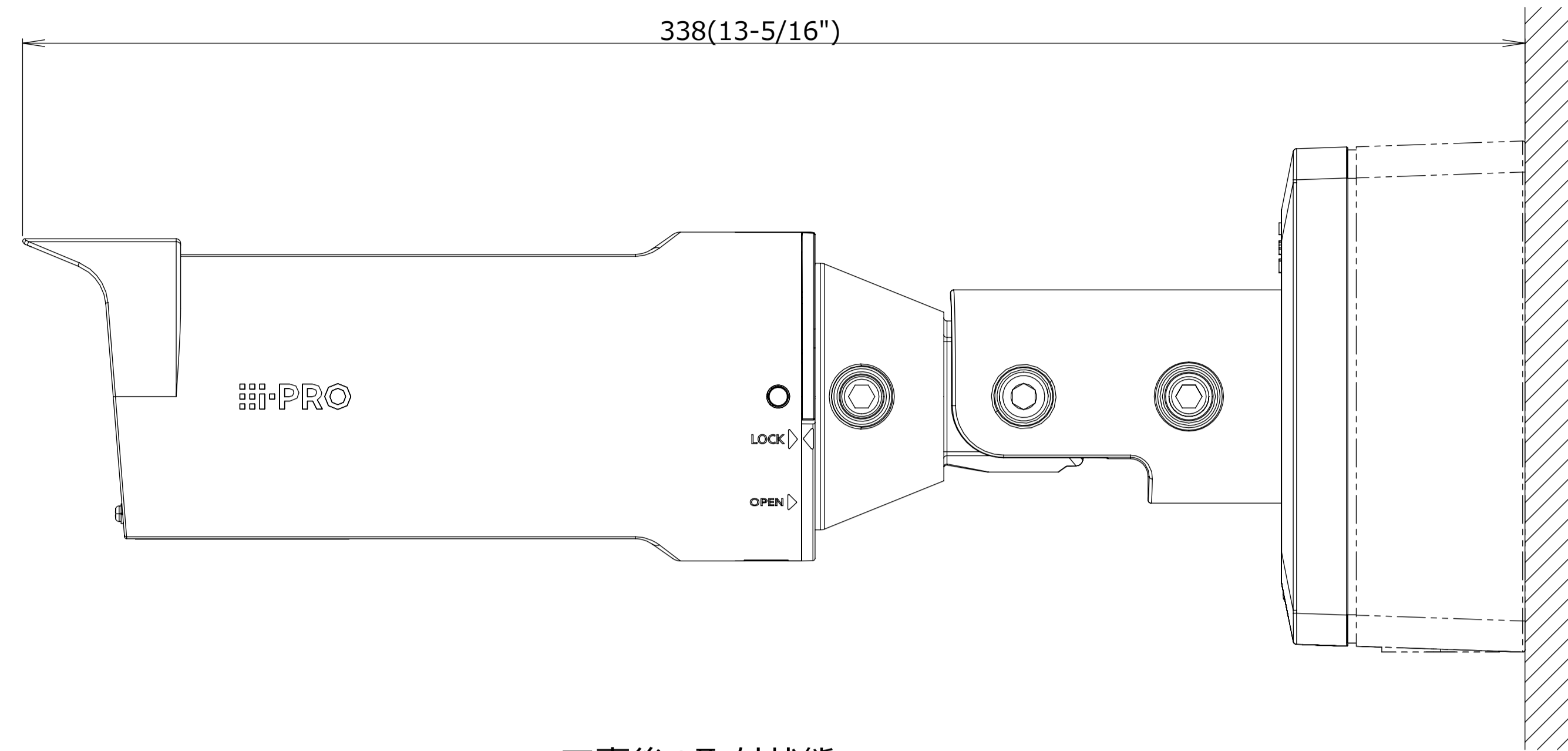
Unit:mm



Model number
WV-U15501-V3L
WV-U15501-V3LJ
WV-U15301-V3L
WV-U15301-V2LJ
WV-U15501-V3LV
WV-U15301-V3LV

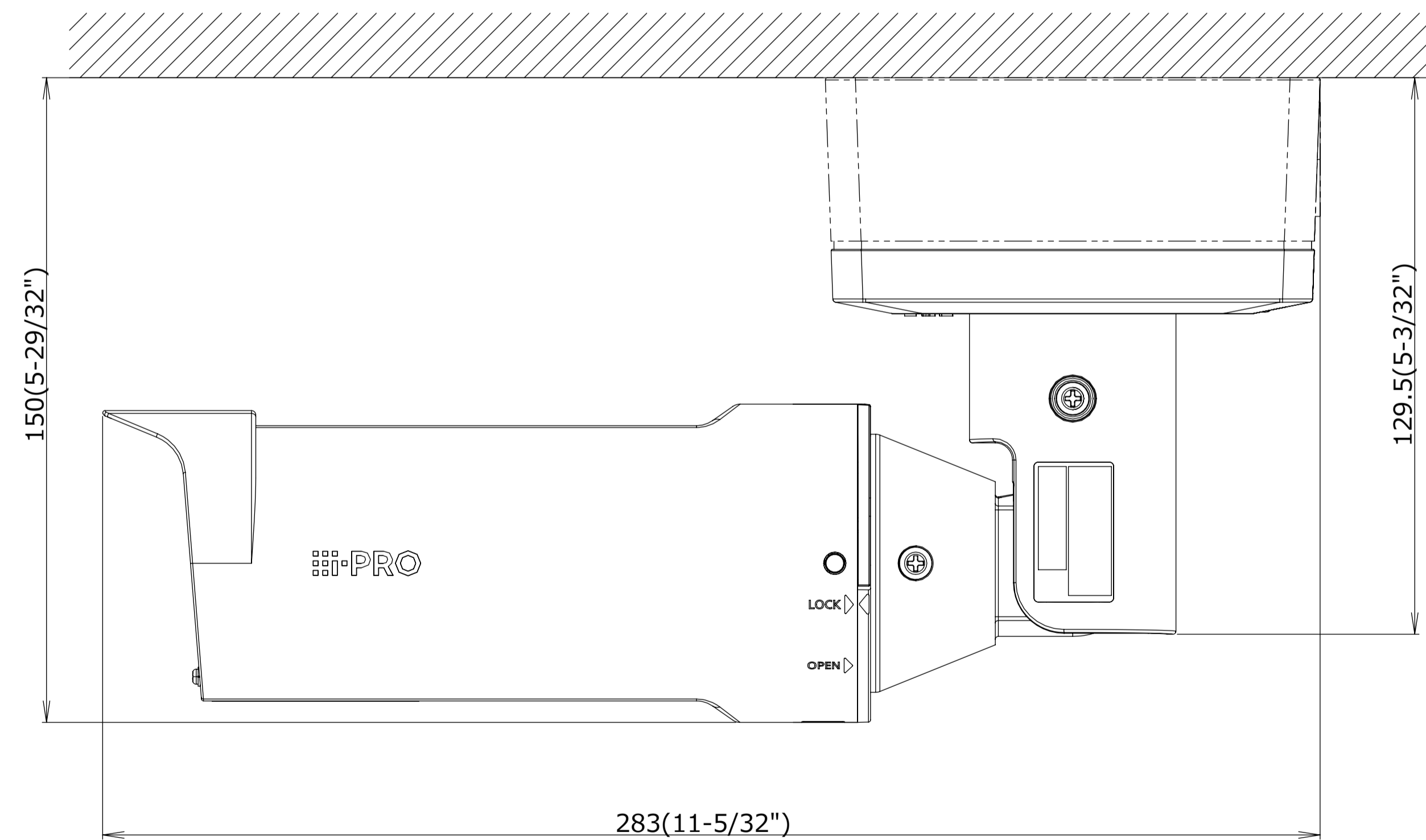
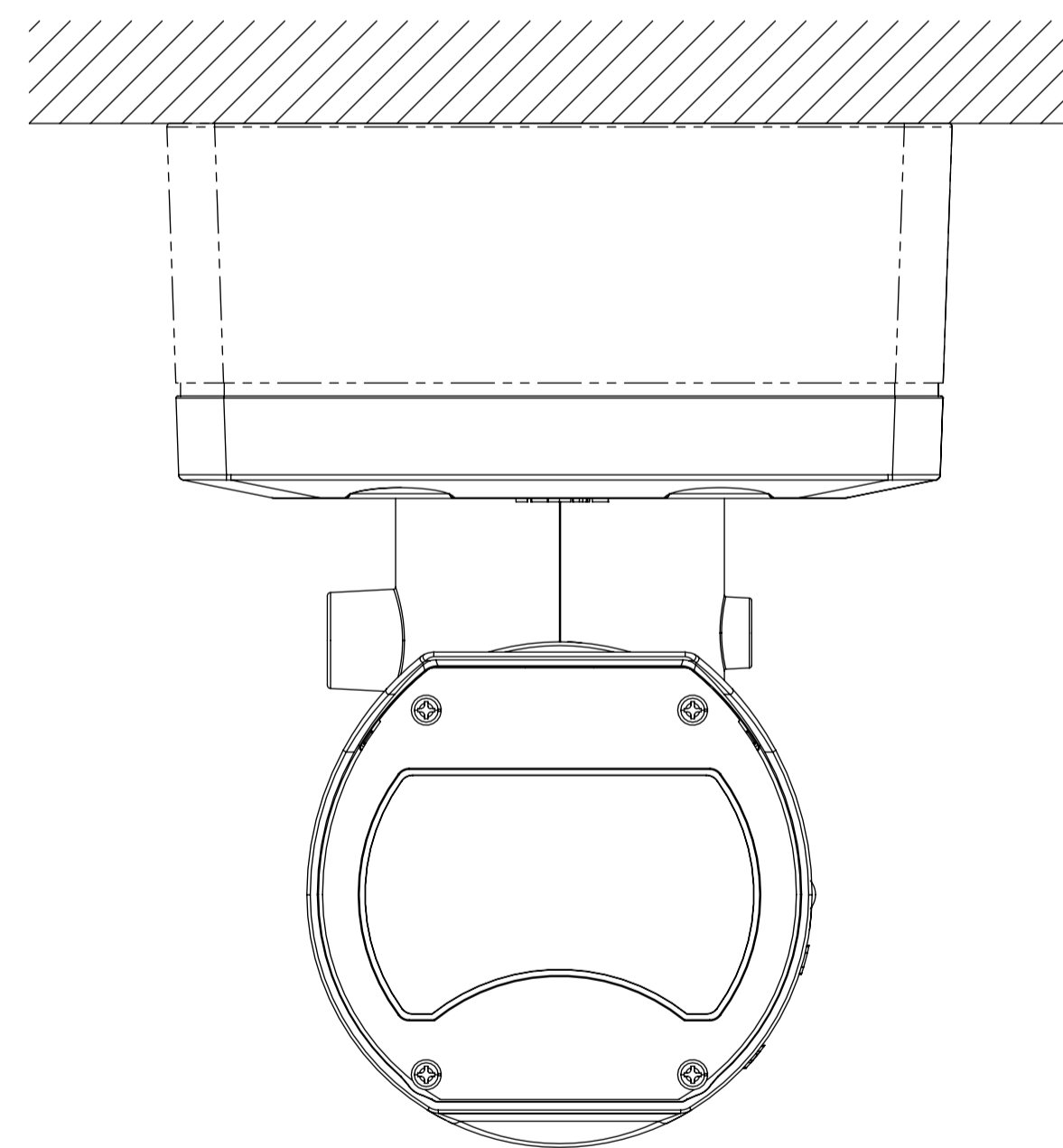
金具との組み合わせ例  
Example of combination with bracket

Attach to WV-QJB500\*\*



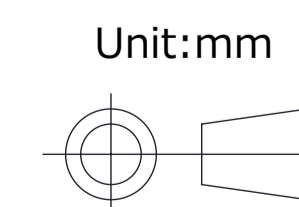
工事後の取付状態  
Mounted state after construction

	投影面積/Projected area
正面図/Front view	0.022(m <sup>2</sup> )
側面図/Side-view	0.025(m <sup>2</sup> )



工事後の取付状態  
Mounted state after construction

	投影面積/Projected area
正面図/Front view	0.022(m <sup>2</sup> )
側面図/Side-view	0.015(m <sup>2</sup> )



Model number
WV-U15501-V3L
WV-U15501-V3LJ
WV-U15301-V3L
WV-U15301-V2LJ
WV-U15501-V3LV
WV-U15301-V3LV