

WV-X15700-V2L

4K Outdoor Bullet Network Camera with AI engine

X-series bullet camera with powerful cutting edge AI



- 4K Bullet camera
- Up to 9 Edge AI analytic apps
- Compatible with AI On-site learning app
- Enables AI image analysis on non-AI cameras (with AI Processing Relay app)
- IP66, IP67, IK10 certified
- Built-in FIPS 140-2 Level 3 Compliant SecureElement (EdgeLock® SE050F NXP® Semiconductors)
- NDAA Compliant

[Learn More](#)

SPECIFICATIONS

| Camera | |
|---|---|
| Image Sensor | Approx. 1/1.8 type CMOS image sensor |
| Scanning Area | 7.68 mm (H) × 4.32 mm (V) {5/16 inches (H) × 5/32 inches (V)} |
| Minimum Illumination | Color : 0.04 lx (30IRE, F1.5, 1/30s, AGC:11)* 0.06 lx (50IRE, F1.5, 1/30s, AGC:11) 0.004 lx (50IRE, F1.5, 16/30s, AGC:11)* BW : 0 lx (50IRE, F1.5, 1/30s, AGC:11, IR LED: On) 0.03 lx (50IRE, F1.5, 1/30s, AGC:11) 0.002 lx (50IRE, F1.5, 16/30s, AGC:11)* *Converted value |
| White Balance | ATW1/ ATW2/ AWC |
| Shutter Speed | [60 fps mode] 1/60 Fix to 1/10000 Fix [30 fps/ 15 fps mode] 1/30 Fix to 1/10000 Fix [50 fps mode] 1/50 Fix to 1/10000 Fix [25 fps/ 12.5 fps mode] 1/25 Fix to 1/10000 Fix |
| Maximum Shutter | [60 fps mode] Max. 1/4000 s to Max. 16/30 s [30 fps/ 15 fps mode] Max. 1/4000 s to Max. 16/30 s [50 fps mode] Max. 1/4000 s to Max. 16/25 s [25 fps/ 12.5 fps mode] Max. 1/4000 s to Max. 16/25 s |
| Intelligent Auto | On/Off |
| Super Dynamic | On/Off (Range : 0 to 31) |
| Dynamic Range | Max. 132 dB (Super Dynamic: On, Level: 31) |
| Adaptive Black Stretch | The level can be set in the range of 0 to 255. |
| Back Light Compensation/High Light Compensation | BLC (Back light compensation) / HLC (High light compensation) / Off (Range : 0 to 31) *only when Super Dynamic/ Intelligent Auto: Off |
| Fog Compensation | On/Off (Range : 0 to 8) *only when Intelligent Auto / Auto contrast adjust: Off |
| Maximum Gain (AGC) | The level can be set in the range of 0 to 11. |
| Color/BW (ICR) | Off/ On(IR Light Off)/ On(IR Light On)/ Auto1(IR Light Off)/ Auto2(IR Light On)/ Auto3(SCC) |
| IR Illumination | High/ Middle/ Low/ Off Maximum irradiation distance: 70 m {Approx. 230 ft} (30IRE)* 50 m {Approx. 164 ft} (50IRE) * Converted value |

| | |
|------------------------------|--|
| Digital Noise Reduction | The level can be set in the range of 0 to 255. |
| Video Motion Detection (VMD) | On/ Off 4 areas available |
| Scene Change Detection (SCD) | On/ Off 1 area available |
| Audio Detection | On/ Off |
| AI Sound Classification | Selectable from Gunshot, Yell, Vehicle horn, Glass break |
| AI Analytics | AI Video Motion Detection, AI Privacy Guard, AI Face Detection, AI People Detection, AI Vehicle Detection, AI Non mask Detection (prior to V3.30), AI Occupancy Detection, AI Scene Change Detection, AI On-site Learning, AI Processing Relay For details: https://i-pro.com/products_and_solutions/en/surveillance/products/analytics-software 3rd party applications are also available. https://i-pro.com/products_and_solutions/en/surveillance/solutions/edge-ai-platform/application-list |
| Privacy Zone | On/Off, Up to 8 zones available Color: gray/white/blue/green/red/black, or mosaic |
| VIQS | On/Off Up to 8 zones available |
| Image Rotation | 0° (Off)/ 90°/ 180° (Upside-down)/ 270° |
| Image Stabilizer | On/Off (Built-in gyro sensor) Available only in the 30 fps mode |
| Camera Title (OSD) | On/Off Up to 40 characters, Up to 2 lines (alphanumeric characters, marks) |

Lens

| | |
|---------------------------|---|
| Optical Zoom | 2.0x (Motorized zoom / Motorized Focus) |
| Extra Zoom | max 12.0x (2.0x - 12.0x when resolution is 640x360) |
| Digital (electronic) Zoom | - |
| Focal Length | 4.3 mm – 8.6 mm {5/32 inches – 11/32 inches} |
| Angular Field of View | [16:9 mode] Horizontal : 53 ° (TELE) - 104 ° (WIDE) Vertical : 30 ° (TELE) - 56° (WIDE) |
| Maximum Aperture Ratio | 1:1.5(WIDE) - 1:2.4(TELE) |
| Focus Range | 1.0 m {39-3/8 inches} - ∞ |
| Aperture Range | F1.5 - close |

DORI

| | |
|----------------------------|--|
| Detect (25ppm / 8ppf) | 60.0m {196.9ft} (WIDE) 154.0m {505.4ft} (TELE) |
| Observe (62.5ppm / 19ppf) | 24.0m {78.7ft} (WIDE) 61.6m {202.1ft} (TELE) |
| Recognize (125ppm / 38ppf) | 12.0m {39.4ft} (WIDE) 30.8m {101.1ft} (TELE) |
| Identify (250ppm / 76ppf) | 6.0m {19.7ft} (WIDE) 15.4m {50.5ft} (TELE) |

System on Chip

| | |
|----------------------|----------------|
| System on Chip (SoC) | Ambarella CV52 |
|----------------------|----------------|

Adjusting Angle

| | |
|------------------|---|
| Ceiling mounting | Horizontal : ±180 ° (PAN rotation part) Vertical : 0 ° to 100 ° (TILT rotation part) Yaw : -190 ° to +100 ° (YAW rotation part) |
| Wall mounting | Horizontal : ±100 ° (TILT rotation part)* Vertical : ±100 ° (TILT rotation part)* Yaw : -190 ° to +100 ° (YAW rotation part) * You can change between horizontal and vertical angels by adjusting the PAN rotation part. |

Browser GUI

| | |
|---------------------------|---|
| GUI / Setup Menu Language | English, Italian, French, German, Spanish, Portuguese, Russian, Chinese, Japanese |
| Browser *1 | Microsoft Edge Firefox Google Chrome |

Network

| | |
|---------------------------------------|---|
| Network IF | 10BASE-T/100BASE-TX, RJ45 connector |
| Resolution | [16:9 mode (60 fps mode)] [16:9 mode (50 fps mode)] 3840x2160/ 2560x1440 [16:9 mode (30 fps mode)] [16:9 mode (25 fps mode)] 3840x2160/2560x1440/1920x1080/1280x720/640x360/320x180 |
| H.265/H.264 Transmission Mode/Type *2 | [Transmission Mode] Transmission priority: Constant bit rate/ VBR/ Frame rate/ Best effort [Transmission Type] Unicast port (AUTO)/ Unicast port (MANUAL)/ Multicast |
| JPEG (MJPEG) Image Quality | 10 steps: 0(SUPER FINE) - 9(LOW) |
| Smart Coding | GOP(Group of pictures) control Off/ Low (Variable GOP 1s-8s)/Mid (Variable GOP 4s-16s)/ Frame rate control (Variable GOP 4s-16s with frame rate control) *Frame rate control is only available with H.265. Smart VIQS On (High)/ On (Low)/ Off Smart P-picture control On/Off |
| Audio Compression Method *3 | G.726 (ADPCM): 16 kbps/ 32 kbps G.711: 64 kbps AAC-LC: 64 kbps/ 96 kbps/ 128 kbps |
| Audio Transmission Mode | Off / Mic (Line) input / Audio output / Interactive (Half duplex) / Interactive (Full duplex) |
| Supported Protocol | IPv6: TCP/IP, UDP/IP, HTTP, HTTPS, SSL/TLS, SMTP, DNS, NTP, SNMPv1/v2/v3, DHCPv6, RTP, MLD, ICMP, ARP, IEEE 802.1X, DiffServ, FTP, SFTP, LLDP, MQTT IPv4: TCP/IP, UDP/IP, HTTP, HTTPS, SSL/TLS, RTSP, RTP, RTP/RTCP, SMTP, DHCP, DNS, DDNS, NTP, SNMPv1/v2/v3, UPnP, IGMP, ICMP, ARP, IEEE 802.1X, DiffServ, SRTP, FTP, SFTP, LLDP, MQTT |
| No. of Simultaneous Users | Up to 14 users (Depends on network conditions) |
| Secure | FIPS 140-2 level 3 (NXP® EdgeLock® SE050F), Device Certificate GlobalSign® pre-installed, HTTPS, User authentication, digest authentication, Host authentication, IEEE802.1X, System log, Image transmission log, brute-force protection, Alteration Detection, Secure boot, Signed firmware |
| SDXC/SDHC/SD Memory Card (Option) | microSDXC memory card: 64 GB, 128 GB, 256 GB, 512 GB microSDHC memory card: 4 GB, 8 GB, 16 GB, 32 GB microSD memory card: 2 GB |
| Mobile Terminal Compatibility | iPad / iPhone (iOS 8.0 or later), Android™ terminals |
| ONVIF®Profile | G / S / T / M |

| Alarm | |
|--------------------------------|--|
| Alarm Source | VMD alarm, SCD alarm, Command alarm, Audio detection alarm |
| Alarm Actions | SDXC/SDHC/SD memory recording, E-mail notification, HTTP alarm notification Indication on browser, TCP alarm notification output |
| Input/Output | |
| Audio Input *4 | ø3.5 mm stereo mini jack |
| Audio Output *4 | ø3.5 mm stereo mini jack (Audio output is monaural.) Output impedance: Approx. 600 Ω (unbalanced) Output level: -20 dBV |
| External I/O Terminals *4 | ALARM IN1 (Alarm input 1/ Black & white input/ Auto time adjustment input) (x1) ALARM IN2 (Alarm input 2/ ALARM OUT) (x1) ALARM IN3 (Alarm input 3/ AUX OUT) (x1) |
| Monitor Output | - |
| General | |
| Safety | UL (UL62368-1), c-UL (CSA C22.2 No.62368-1), CE, IEC62368-1 |
| EMC | FCC (Part15 ClassA), ICES-003 ClassA, EN55032 ClassA, EN55035 |
| Power Source/Power Consumption | [Power Source] DC12 V *4, PoE+ (IEEE802.3at compliant) [Power Consumption] DC12 V : 1.2 A / Approx. 14.2 W PoE+ DC 54 V : 260 mA / Approx. 14.0 W (Class 4 device) |
| Ambient Operating Temperature | -40 °C to +55 °C {-40 °F to +131 °F} (Power On range: -30 °C to +55 °C {-22 °F to +131 °F}) |
| Ambient Operating Humidity | 10 % to 100 % (no condensation) |
| Water and Dust Resistance | IP66/ IP67 (IEC 60529), Type 4X (UL50E), NEMA 4X compliant |
| Shock Resistance | IK10(IEC 62262) |
| Wind Resistance | Up to 40 m/s {approx. 89 mph} |
| Dimensions | 133 mm (W) x 133 mm (H) x 383 mm (D) {5-1/4 inches(W) x 5-1/4 inches(H) x 15-3/32 inches (D)} |
| Mass (approx.) | Approx. 2.5 kg {5.6 lbs} |
| Finish | Main body: Aluminum die cast and resin, i-PRO white Outer fixing screws: Stainless steel (Corrosion-resistant treatment) Front panel: PC resin, Clear |

NOTES

*1 For information on the operation verification of the web browsers, refer to our support website <Control No.: C0132>.

*2 Transmission for 4 streams can be individually set.

*3 When recording audio on an SD memory card, only use AAC-LC (Advanced Audio Coding - Low Complexity) .

*4 When using with them, WV-QCA501A cable is required.

Important

– Safety Precautions : Carefully read the Basic Information, Installation Guide and Operating Instructions before using this product.
– i-PRO Co., Ltd. cannot be held responsible for the performance of the network and/or other manufacturers' products used on the network.

– Masses and dimensions are approximate.

– Specifications are subject to change without notice.

Trademarks and registered trademarks

- iPad and iPhone are trademarks of Apple Inc., registered in the U.S. and other countries. – Android is a trademark of Google LLC.
- ONVIF is a trademark of ONVIF, Inc.
- All other trademarks identified herein are the property of their respective owners

©i-PRO Co., Ltd All rights reserved / October 2023

OPTIONAL ACCESSORIES

Select a compatible accessory

[Accessory Selector \(i-pro.com\)](http://i-pro.com)



WV-SDB256G
i-PRO SD Memory
Card



WV-SDB128G
i-PRO SD Memory
Card



WV-SDB064G
i-PRO SD Memory
Card



WV-SDB032G
i-PRO SD Memory
Card



WV-QL500-W
Mount Bracket



WV-QCN500-W
Mount Bracket



WV-QCA501A
I/O Cable



WV-QCA500A
RJ45 Ethernet Cable

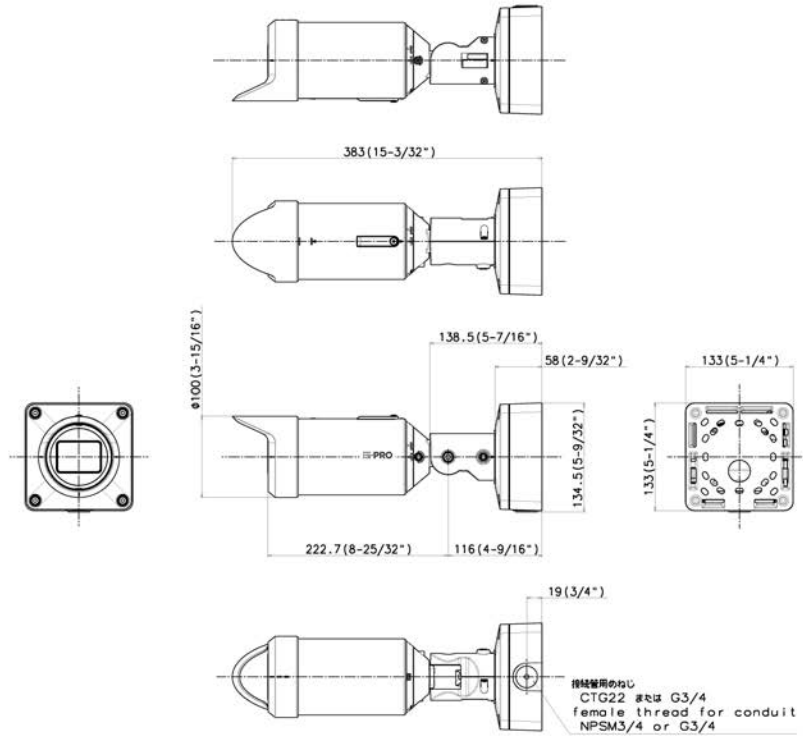


WV-Q105A
Mount Bracket



WV-PM500
Compact microphone
unit

APPEARANCE



| | 投影面積/Projected area |
|----------------------------------|-------------------------|
| 平面図/Top-view | 0.033 (m ²) |
| 側面図/Side-view | 0.030 (m ²) |
| Mass : Approx. 2.5 kg [5.52 lbs] | |

Unit:mm