

# WV-S25600-V2LN

6MP Vandal Resistant Outdoor Dome Network Camera

**New S-series wide lineup high resolution network camera with AI engine**



- 6MP
- Intelligent Auto (with AI Engine)
- Super Dynamic 132dB
- Color night vision (0.04 to 0.06 lx)
- Smart Coding (with AI Engine)
- ClearSight Coating
- Built-in IR LED
- Fiber Optic Media Converter Unit (Optional WV-S25F1)
- Built-in FIPS 140-2 Level 3 Compliant Secure Element (EdgeLock® SE050F NXP® Semiconductors)
- NDAA Compliant



# SPECIFICATIONS

| Camera  |   |
|---|---|
| Image Sensor                                      | Approx. 1/1.8 type CMOS image sensor  |
| Scanning Area                                     | 7.68 mm (H)×4.32 mm (V)<br>{5/16 inches (H) × 5/32 inches (V)}  |
| Minimum Illumination                              | Color :<br>0.04 lx (30IRE, F1.5, 1/30s, AGC:11)*<br>0.06 lx (50IRE, F1.5, 1/30s, AGC:11)<br>0.004 lx (50IRE, F1.5, 16/30s, AGC:11)*<br><br>BW :<br>0 lx (50IRE, F1.5, 1/30s, AGC:11, IR LED: On)<br>0.03 lx (50IRE, F1.5, 1/30s, AGC:11)<br>0.002 lx (50IRE, F1.5, 16/30s, AGC:11)*<br>*Converted value   |
| White Balance                                     | ATW1 / ATW2 / AWC   |
| Shutter Speed                                     | [30 fps/15 fps mode] 1/30 Fix to 1/10000 Fix<br>[25 fps/12.5 fps mode] 1/25 Fix to 1/10000 Fix  |
| Maximum Shutter                                   | [30 fps mode] Max. 1/4000 s to Max. 16/30 s<br>[25 fps mode] Max. 1/4000 s to Max. 16/25 s  |
| Intelligent Auto                                  | On / Off  |
| Super Dynamic*2                                   | On / Off, The level can be set in the range of 0 to 31.   |
| Dynamic Range                                     | Max.132 dB (Super Dynamic : On, Level 31)   |
| Adaptive Black Stretch                            | The level can be set in the range of 0 to 255.  |
| Back light compensation / High light compensation | BLC (Back light compensation) / HLC (High light compensation) / Off (only when Super dynamic / Intelligent Auto : Off)  |
| Fog Compensation                                  | On / Off (only when Intelligent auto / auto contrast adjust : Off)  |
| Maximum Gain (AGC)                                | The level can be set in the range of 0 to 11.   |
| Color/BW (ICR)                                    | Off / On (IR Light Off) / On (IR Light On) / Auto1 (IR Light Off) / Auto2 (IR Light On) / Auto3 (SCC)   |
| IR LED Light                                      | High / Middle / Low / Off,<br>Maximum irradiation distance : 70 m {Approx. 230 ft} (30IRE) *1<br>50 m {Approx. 164 ft} (50IRE)  |
| Digital Noise Reduction                           | The level can be set in the range of 0 to 255.  |
| Video Motion Detection (VMD)                      | On / Off, 4 areas available   |
| Scene Change Detection (SCD)                      | On / Off, 1 areas available   |
| Audio Detection                                   | On / Off  |
| AI Sound classification                           | Gunshot, Yell, Vehicle horn, Glass break  |
| AI Analytics                                      | AI Video Motion Detection, AI Privacy Guard, AI Face Detection, AI People Detection, AI Vehicle Detection, AI Non mask Detection (prior to V2.70), AI Occupancy Detection, AI Scene Change Detection<br><br>For details :<br><a href="https://i-pro.com/products_and_solutions/en/surveillance/products/analytics-software">https://i-pro.com/products_and_solutions/en/surveillance/products/analytics-software</a><br>3rd party applications are also available.<br><a href="https://i-pro.com/products_and_solutions/en/surveillance/solutions/edge-ai-platform/application-list">https://i-pro.com/products_and_solutions/en/surveillance/solutions/edge-ai-platform/application-list</a> |

|                    |   |
|--------------------|---|
| Privacy Zone       | On / Off,<br>Up to 8 zones available                              |
| VIQS               | On / Off,<br>Up to 8 zones available                              |
| Image rotation*3   | 0 ° / 90 ° / 180 ° / 270 °  |
| Camera Title (OSD) | On / Off,<br>Up to 40 characters (alphanumeric characters, marks) |
| Focus Adjustment   | Auto focus  |

| Lens                   |  |
|------------------------|--|
| Optical Zoom           | 2.0x (Motorized zoom / Motorized Focus)  |
| Extra zoom             | 2.0x -6.0x (when resolution is 1280 x 720)   |
| Focal Length           | 4.3 - 8.6 mm {5/32 inches - 11/32 inches}  |
| Angular Field of View  | [16 : 9 mode] *[4:3 mode] is not supported.<br>Horizontal : 52° (TELE) – 101° (WIDE), Vertical : 29° (TELE) – 55° (WIDE) |
| Maximum Aperture Ratio | 1 : 1.5 (WIDE) – 1 : 2.4 (TELE)  |
| Focusing Range         | 1.0 m {39-3/8 inches} – ∞  |

| DORI                       |  |
|----------------------------|--|
| Detect (25ppm / 8ppf)      | Wide: 54.9m / 180.0 ft, Tele: 136.5 m / 447.7 ft |
| Observe (62.5ppm / 19ppf)  | Wide: 21.9 m / 72.0 ft, Tele: 54.6 m / 179.1 ft  |
| Recognize (125ppm / 38ppf) | Wide: 11.0 m / 36.0 ft, Tele: 27.3 m / 89.5 ft   |
| Identify (250ppm / 76ppf)  | Wide: 5.5m / 18.0 ft, Tele: 13.6 m / 44.8 ft     |

| System on Chip (SoC) |                |
|----------------------|----------------|
| System on Chip (SoC) | Ambarella CV22 |

| Adjusting Angle |   |
|-----------------|---|
| Adjusting Angle | Horizontal : -194 to +166°, Vertical : -30 to +85°, Yaw : ±100° |

| Browser GUI               |  |
|---------------------------|--|
| Camera Control            | Brightness, AUX On / Off   |
| Audio                     | Mic (Line) Input : On / Off Volume adjustment : Low / Middle / High<br>Audio Output : On / Off Volume adjustment : Low / Middle / High |
| GUI / Setup Menu Language | English, Italian, French, German, Spanish, Portuguese, Russian, Chinese, Japanese  |
| Browser*4                 | Microsoft Edge, Firefox, Google Chrome   |

| Network                               |  |
|---------------------------------------|--|
| Network IF                            | 10Base-T / 100Base-TX, RJ45 connector  |
| Resolution H.265/ H.264/ JPEG (MJPEG) | [16 : 9 mode (30 fps mode)][16 : 9 mode (25 fps mode)]<br>3328x1872/2560x1440/1920x1080/1280x720/640x360/320x180   |
| JPEG - Image Quality                  | 10 steps   |
| Smart Coding                          | GOP (Group of pictures control):<br>Off/ Low (Variable GOP 1s-8s)/ Mid (Variable GOP 4s-16s)/<br>Advanced(Fixed GOP 60s w/1s key-frame)/<br>Frame rate control (Variable GOP 4s-16s with frame rate control)<br>*Advanced and Frame rate control are only available with H.265.<br>Smart VIQS: On(High)/On(Low)/Off, Smart P-picture control: On/Off |
| Audio Compression                     | G.726 (ADPCM) : 16 kbps / 32 kbps<br>G.711 : 64 kbps<br>AAC-LC*7 : 64 kbps / 96 kbps / 128 kbps  |
| Audio Transmission Mode               | Off / Mic (Line) input / Audio output / Interactive (Half duplex) / Interactive (Full duplex)  |

|                                   |  |
|-----------------------------------|--|
| Supported Protocol                | IPv6 : TCP/IP, UDP/IP, HTTP, HTTPS, SSL/TLS, SMTP, DNS, NTP, SNMPv1/v2/v3, DHCPv6, RTP, MLD, ICMP, ARP, IEEE 802.1X, DiffServ, SFTP, MQTT, LLDP<br>IPv4 : TCP/IP, UDP/IP, HTTP, HTTPS, SSL/TLS, RTSP, RTP, RTP/RTCP, SMTP, DHCP, DNS, DDNS, NTP, SNMPv1/v2/v3, UPnP, IGMP, ICMP, ARP, IEEE 802.1X, DiffServ, SRTP, SFTP, MQTT, LLDP  |
| No. of Simultaneous Users         | Up to 14 users (Depends on network conditions)   |
| Secure                            | FIPS 140-2 level 3 (NXP® EdgeLock® SE050F), Device Certificate GlobalSign® pre-installed, HTTPS, User authentication, Digest authentication, Host authentication, IEEE802.1X, System log, Image transmission log, Brute-force protection, Alteration detection, Signed Firmware  |
| SDXC/SDHC/SD Memory Card (Option) | H.265 / H.264 recording :<br>Manual REC / Alarm REC (Pre/Post) / Schedule REC / Backup upon network failure<br>JPEG recording :<br>Manual REC / Alarm REC (Pre/Post) / Backup upon network failure<br>Compatible SDXC/SDHC/SD Memory Card :<br>microSDXC memory card : 64 GB, 128 GB, 256 GB, 512 GB<br>microSDHC memory card : 4 GB, 8 GB, 16 GB, 32 GB<br>microSD memory card : 2 GB |
| Mobile Terminal Compatibility     | iPad, iPhone(iOS 8.0 or later), Android™ terminals   |
| ONVIF Profile                     | G / M / S / T  |

### Alarm

|               |  |
|---------------|--|
| Alarm Source  | 3 terminals input, VMD alarm, Command alarm, Audio detection alarm   |
| Alarm Actions | SDXC/SDHC/SD memory recording, E-mail notification, HTTP alarm notification Indication on browser, TCP alarm notification output |

### Input/Output

|                          |  |
|--------------------------|--|
| Audio input*8            | ø3.5 mm stereo mini jack   |
| Audio Output*8           | ø3.5 mm stereo mini jack (monaural output)<br>Output impedance : Approx. 600 Ω (unbalanced)<br>Output level : -20 dBV  |
| External I/O Terminals*8 | ALARM IN 1 (Alarm input 1/ Black & white input/ Auto time adjustment input) (x1)<br>ALARM IN 2 (Alarm input 2/ ALARM OUT) (x1), ALARM IN 3 (Alarm input 3/ AUX OUT) (x1) |
| Monitor Output           | Yes (for adjustment)<br>Pin jack, NTSC or PAL signal can be output from camera   |

### General

|                                    |  |
|------------------------------------|--|
| Safety                             | UL (UL62368-1), c-UL (CSA C22.2 No.62368-1), CE, IEC62368-1  |
| EMC                                | FCC (Part15 ClassA), ICES-003 ClassA, EN55032 ClassA, EN55035  |
| Power Source and Power Consumption | DC power supply*8 : DC12 V 1.0 A, Approx. 12.0 W<br>PoE (IEEE802.3af compliant) Device : DC48 V 240 mA, Approx. 11.5 W (Class 0 device)  |
| Ambient Operating Temperature      | -40 °C to +60 °C (-40 °F to 140 °F)*9<br>(Power On range : -30 °C to +60 °C {-22 °F to +140 °F})   |
| Ambient Operating Humidity         | 10 to 100 % (no condensation)  |
| Anti-Condensation System           | Temish element + Heater + moisture absorption gel  |
| Water and Dust Resistance          | IP66, IEC60529 measuring standard compatible, Type 4X(UL50E), NEMA 4X compliant  |
| Shock Resistance                   | IK10 (IEC 62262)   |
| Wind Resistance                    | Up to 40 m/s {approx. 89 mph}  |
| Dimensions                         | ø154 mm x 105 mm (H) {ø6-1/16 inches x 4-1/8 inches (H)}   |
| Mass (Approx.)                     | Approx. 1.1 kg {2.43 lbs.}   |
| Finish                             | Main body : Aluminum die cast, i-PRO white<br>Outer fixing screws : Stainless steel (Corrosion-resistant treatment)<br>Dome section : Polycarbonate resin, Clear (with ClearSight coating) |

# NOTES

## Important

- Safety Precautions : Carefully read the Basic Information, Installation Guide and Operating Instructions before using this product.
- i-PRO Co., Ltd. cannot be held responsible for the performance of the network and/or other manufacturers' products used on the network.
- Masses and dimensions are approximate. Specifications are subject to change without notice.

## Trademarks and registered trademarks

- iPad and iPhone are trademarks of Apple Inc., registered in the U.S. and other countries. – Android is a trademark of Google LLC.
- ONVIF is a trademark of ONVIF, Inc.
- All other trademarks identified herein are the property of their respective owners

©i-PRO Co., Ltd All rights reserved / November 2022

# OPTIONAL ACCESSORIES

Select a compatible accessory

[Accessory Selector \(i-pro.com\)](http://i-pro.com)



**WV-QWL506-W**  
4-screw Wall Mount Bracket



**WV-QWL506M1-W**  
ANSI Male Wall Mount Bracket (1.5"NPT)



**WV-QWL501-W**  
Mount Bracket



**WV-QWL500-W**  
Mount Bracket



**WV-QSR501-W**  
Mount Bracket



**WV-QSR500-W**  
Sun Shade



**WV-QPL500-W**  
Mount Bracket



**WV-QJB504-W**  
Base Bracket



**WV-QJB501-W**  
Base Bracket



**WV-QJB500-W**  
Mount Bracket



**WV-QEM500-W**  
Mount Bracket



**WV-QCN500-W**  
Mount Bracket



**WV-QCL501-W**  
Mount Bracket



**WV-QCL101-W**  
Mount Bracket



**WV-QCL100-W**  
Mount Bracket



**WV-Q105A**  
Mount Bracket



**WV-QCA501A**  
I/O Cable



**WV-QCA500A**  
RJ45 Ethernet Cable



**WV-CW7SN**  
Dome cover



**WV-CW7S**  
Dome cover



**WV-CW7CN**  
Dome cover



**WV-PM500**  
Compact microphone unit



**WV-QSR505-W**  
Sun Shade



**WV-QSR501F1-W**  
Mount Bracket



**WV-QSR501M1-W**  
Mount Bracket



**WV-QSR501F-W**  
Mount Bracket



**WV-QSR501M-W**  
Mount Bracket



**WV-QDC504C**  
Dome Cover



**WV-SDB256G**  
i-PRO SD Memory Card



**WV-SDB128G**  
i-PRO SD Memory Card

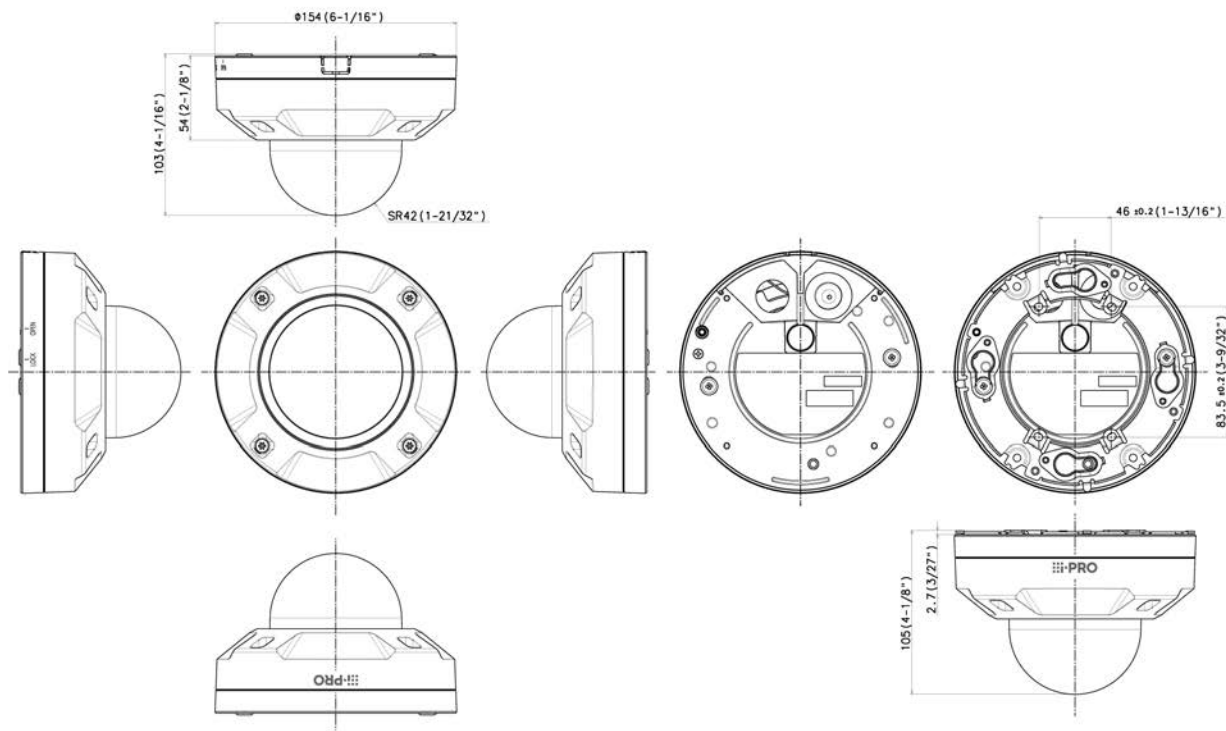


WV-SDB064G  
i-PRO SD Memory  
Card



WV-SDB032G  
i-PRO SD Memory  
Card

# APPEARANCE



**With Attachment plate**

| 侧面图/Side-view | 投影面积/Projected area     |
|---------------|-------------------------|
|               | 0.011 (m <sup>2</sup> ) |

Mass : Approx. 1.1 kg (2.43 lbs)  
 (Excluding attachment for the conduit portion)

Unit:mm