

WV-S25600-V2LG

6MP Vandal Resistant Outdoor Dome Network Camera

S-series High resolution Network camera with AI engine



- 6MP
- Intelligent Auto (with AI Engine)
- Super Dynamic 132dB
- Color night vision (0.12 to 0.17 lx)
- Smart Coding (with AI Engine)
- Built-in IR LED
- 50J, IK10 Vandal Resistant
- Built-in FIPS 140-2 Level 3 Compliant Secure Element
(EdgeLock® SE050F NXP® Semiconductors)
- NDAA Compliant



SPECIFICATIONS

Camera	
Image Sensor	Approx. 1/1.8 type CMOS image sensor
Scanning Area	7.68 mm (H)×4.32 mm (V) {5/16 inches (H) × 5/32 inches (V)}
Minimum Illumination	Color : 0.12 lx (30IRE, F1.5, 1/30s, AGC:11)* 0.17 lx (50IRE, F1.5, 1/30s, AGC:11) 0.011 lx (50IRE, F1.5, 16/30s, AGC:11)* BW : 0 lx (50IRE, F1.5, 1/30s, AGC:11, IR LED: On) 0.09 lx (50IRE, F1.5, 1/30s, AGC:11) 0.006 lx (50IRE, F1.5, 16/30s, AGC:11)* *Converted value
White Balance	ATW1 / ATW2 / AWC
Shutter Speed	[30 fps/15 fps mode] 1/30 Fix to 1/10000 Fix [25 fps/12.5 fps mode] 1/25 Fix to 1/10000 Fix
Maximum Shutter	[30 fps mode] Max. 1/4000 s to Max. 16/30 s [25 fps mode] Max. 1/4000 s to Max. 16/25 s
Intelligent Auto	On / Off
Super Dynamic*2	On / Off, The level can be set in the range of 0 to 31.
Dynamic Range	Max.132 dB (Super Dynamic : On, Level 31)
Adaptive Black Stretch	The level can be set in the range of 0 to 255.
Back light compensation / High light compensation	BLC (Back light compensation) / HLC (High light compensation) / Off (only when Super dynamic / Intelligent Auto : Off)
Fog Compensation	On / Off (only when Intelligent auto / auto contrast adjust : Off)
Maximum Gain (AGC)	The level can be set in the range of 0 to 11.
Color/BW (ICR)	Off / On (IR Light Off) / On (IR Light On) / Auto1 (IR Light Off) / Auto2 (IR Light On) / Auto3 (SCC)
IR LED Light	High / Middle / Low / Off, Maximum irradiation distance : 45 m {Approx. 148 ft}{30IRE} 35 m {Approx. 115 ft}{50IRE}
Digital Noise Reduction	The level can be set in the range of 0 to 255.
Video Motion Detection (VMD)	On / Off, 4 areas available
Scene Change Detection (SCD)	On / Off, 1 areas available
Audio Detection	On / Off
AI Sound classification	Gunshot, Yell, Vehicle horn, Glass break

AI Analytics	AI Video Motion Detection, AI Privacy Guard, AI Face Detection, AI People Detection, AI Vehicle Detection, AI Non mask Detection (prior to V2.70), AI Occupancy Detection, AI Scene Change Detection For details : https://i-pro.com/products_and_solutions/en/surveillance/products/analytics-software 3rd party applications are also available. https://i-pro.com/products_and_solutions/en/surveillance/solutions/edge-ai-platform/application-list
Privacy Zone	On / Off, Up to 8 zones available
VIQS	On / Off, Up to 8 zones available
Image rotation*3	0 ° / 90 ° / 180 ° / 270 °
Camera Title (OSD)	On / Off, Up to 40 characters (alphanumeric characters, marks)
Focus Adjustment	Auto focus

Lens

Optical Zoom	2.0x (Motorized zoom / Motorized Focus)
Extra zoom	2.0x -6.0x (when resolution is 1280 x 720)
Focal Length	4.3 - 8.6 mm {5/32 inches - 11/32 inches}
Angular Field of View	[16 : 9 mode] *[4:3 mode] is not supported. Horizontal : 52° (TELE) – 101° (WIDE), Vertical : 29° (TELE) – 55° (WIDE)
Maximum Aperture Ratio	1 : 1.5 (WIDE) – 1 : 2.4 (TELE)
Focusing Range	1.0 m {39-3/8 inches} – ∞

DORI

Detect (25ppm / 8ppf)	Wide: 54.9m / 180.0 ft, Tele: 136.5 m / 447.7 ft
Observe (62.5ppm / 19ppf)	Wide: 21.9 m / 72.0 ft, Tele: 54.6 m / 179.1 ft
Recognize (125ppm / 38ppf)	Wide: 11.0 m / 36.0 ft, Tele: 27.3 m / 89.5 ft
Identify (250ppm / 76ppf)	Wide: 5.5m / 18.0 ft, Tele: 13.6 m / 44.8 ft

System on Chip (SoC)

System on Chip (SoC)	Ambarella CV22
----------------------	----------------

Adjusting Angle

Adjusting Angle	Horizontal : -194 to +166°, Vertical : -30 to +85°, Yaw : ±100°
-----------------	---

Browser GUI

Camera Control	Brightness, AUX On / Off
Audio	Mic (Line) Input : On / Off Volume adjustment : Low / Middle / High Audio Output : On / Off Volume adjustment : Low / Middle / High
GUI / Setup Menu Language	English, Italian, French, German, Spanish, Portuguese, Russian, Chinese, Japanese
Browser*4	Microsoft Edge, Firefox, Google Chrome

Network

Network IF	10Base-T / 100Base-TX, RJ45 connector
Resolution H.265/ H.264/ JPEG (MJPEG)	16 : 9 mode (30 fps mode)][16 : 9 mode (25 fps mode)] 3328x1872/2560x1440/1920x1080/1280x720/640x360/320x180

JPEG - Image Quality	10 steps
Smart Coding	GOP (Group of pictures) control: Off/ Low (Variable GOP 1s-8s)/ Mid (Variable GOP 4s-16s)/ Advanced(Fixed GOP 60s w/1s key-frame)/ Frame rate control (Variable GOP 4s-16s with frame rate control) *Advanced and Frame rate control are only available with H.265. Smart VIQS: On(High)/On(Low)/Off, Smart P-picture control: On/Off
Audio Compression	G.726 (ADPCM) : 16 kbps / 32 kbps G.711 : 64 kbps AAC-LC : 64 kbps / 96 kbps / 128 kbps
Audio Transmission Mode	Off / Mic (Line) input / Audio output / Interactive (Half duplex) / Interactive (Full duplex)
Supported Protocol	IPv6 : TCP/IP, UDP/IP, HTTP, HTTPS, SSL/TLS, SMTP, DNS, NTP, SNMPv1/v2/v3, DHCPv6, RTP, MLD, ICMP, ARP, IEEE 802.1X, DiffServ, SFTP, MQTT, LLDP IPv4 : TCP/IP, UDP/IP, HTTP, HTTPS, SSL/TLS, RTSP, RTP, RTP/RTCP, SMTP, DHCP, DNS, DDNS, NTP, SNMPv1/v2/v3, UPnP, IGMP, ICMP, ARP, IEEE 802.1X, DiffServ, SRTP, SFTP, MQTT, LLDP
No. of Simultaneous Users	Up to 14 users (Depends on network conditions)
Secure	FIPS 140-2 level 3 (NXP® EdgeLock® SE050F), Device Certificate GlobalSign® pre-installed, HTTPS, User authentication, Digest authentication, Host authentication, IEEE802.1X, System log, Image transmission log, Brute-force protection, Alteration detection, Signed Firmware
SDXC/SDHC/SD Memory Card (Option)	H.265 / H.264 recording : Manual REC / Alarm REC (Pre/Post) / Schedule REC / Backup upon network failure JPEG recording : Manual REC / Alarm REC (Pre/Post) / Backup upon network failure Compatible SDXC/SDHC/SD Memory Card : microSDXC memory card : 64 GB, 128 GB, 256 GB, 512 GB microSDHC memory card : 4 GB, 8 GB, 16 GB, 32 GB microSD memory card : 2 GB
Mobile Terminal Compatibility	iPad, iPhone(iOS 8.0 or later), Android™ terminals
ONVIF Profile	G / M / S / T

Alarm

Alarm Source	3 terminals input, VMD alarm, Command alarm, Audio detection alarm
Alarm Actions	SDXC/SDHC/SD memory recording, E-mail notification, HTTP alarm notification Indication on browser, TCP alarm notification output

Input/Output

Audio input*8	ø3.5 mm stereo mini jack
Audio Output*8	ø3.5 mm stereo mini jack (monaural output) Output impedance : Approx. 600 Ω (unbalanced) Output level : -20 dBV
External I/O Terminals*8	ALARM IN 1 (Alarm input 1/ Black & white input/ Auto time adjustment input) (x1) ALARM IN 2 (Alarm input 2/ ALARM OUT) (x1), ALARM IN 3 (Alarm input 3/ AUX OUT) (x1)
Monitor Output	Yes (for adjustment) Pin jack, NTSC or PAL signal can be output from camera

General

Safety	UL (UL62368-1), c-UL (CSA C22.2 No.62368-1), CE, IEC62368-1
EMC	FCC (Part15 ClassA), ICES-003 ClassA, EN55032 ClassA, EN55035
Power Source and Power Consumption	DC power supply*6 : DC12 V 1.0 A, Approx. 12.0 W PoE (IEEE802.3af compliant) Device : DC48 V 240 mA, Approx. 11.5 W (Class 0 device)
Ambient Operating Temperature	-40 °C to +60 °C (-40 °F to 140 °F) (Power On range : -30 °C to +60 °C {-22 °F to +140 °F})

Ambient Operating Humidity	10 to 100 % (no condensation)
Anti-Condensation System	Temish element + Heater + moisture absorption gel
Water and Dust Resistance	IP66, IEC60529 measuring standard compatible, Type 4X(UL50E), NEMA 4X compliant
Shock Resistance	50J (IEC 60068-2-75 compliant), IK10 (IEC62262)
Wind Resistance	Up to 40 m/s (approx. 89 mph)
Dimensions	ø154 mm x 105 mm (H) {ø6-1/16 inches x 4-1/8 inches (H)}
Mass (Approx.)	Approx. 1.1 kg {2.43 lbs.}
Finish	Main body : Aluminum die cast, i-PRO white Outer fixing screws : Stainless steel (Corrosion-resistant treatment) Dome section : Polycarbonate resin, Smoke

NOTES

Important

- Safety Precautions : Carefully read the Basic Information, Installation Guide and Operating Instructions before using this product.
- i-PRO Co., Ltd. cannot be held responsible for the performance of the network and/or other manufacturers' products used on the network.
- Masses and dimensions are approximate. Specifications are subject to change without notice.

Trademarks and registered trademarks

- iPad and iPhone are trademarks of Apple Inc., registered in the U.S. and other countries. – Android is a trademark of Google LLC.
- ONVIF is a trademark of ONVIF, Inc.
- All other trademarks identified herein are the property of their respective owners

©i-PRO Co., Ltd All rights reserved / November 2022

OPTIONAL ACCESSORIES

Select a compatible accessory

[Accessory Selector \(i-pro.com\)](http://i-pro.com)



WV-QWL506-W
4-screw Wall Mount
Bracket



WV-QWL506M1-W
ANSI Male Wall Mount
Bracket (1.5"NPT)



WV-QWL501-W
Mount Bracket



WV-QWL500-W
Mount Bracket



WV-QSR501-W
Mount Bracket



WV-QSR500-W
Sun Shade



WV-QPL500-W
Mount Bracket



WV-QJB504-W
Base Bracket



WV-QJB501-W
Base Bracket



WV-QJB500-W
Mount Bracket



WV-QEM500-W
Mount Bracket



WV-QCN500-W
Mount Bracket



WV-QCL501-W
Mount Bracket



WV-QCL101-W
Mount Bracket



WV-QCL100-W
Mount Bracket



WV-Q105A
Mount Bracket



PPRM35AW
Parapet Mount Bracket



WV-QCA501A
I/O Cable



WV-QCA500A
RJ45 Ethernet Cable



WV-CW7SN
Dome cover



WV-CW7S
Dome cover



WV-CW7CN
Dome cover



WV-PM500
Compact microphone
unit



WV-QSR505-W
Sun Shade



WV-QSR501F1-W



WV-QSR501M1-W



WV-QSR501F-W



WV-QSR501M-W



WV-QDC504C



WV-SDB256G

Mount Bracket

Mount Bracket

Mount Bracket

Mount Bracket

Dome Cover

i-PRO SD Memory Card



WV-SDB128G

i-PRO SD Memory Card



WV-SDB064G

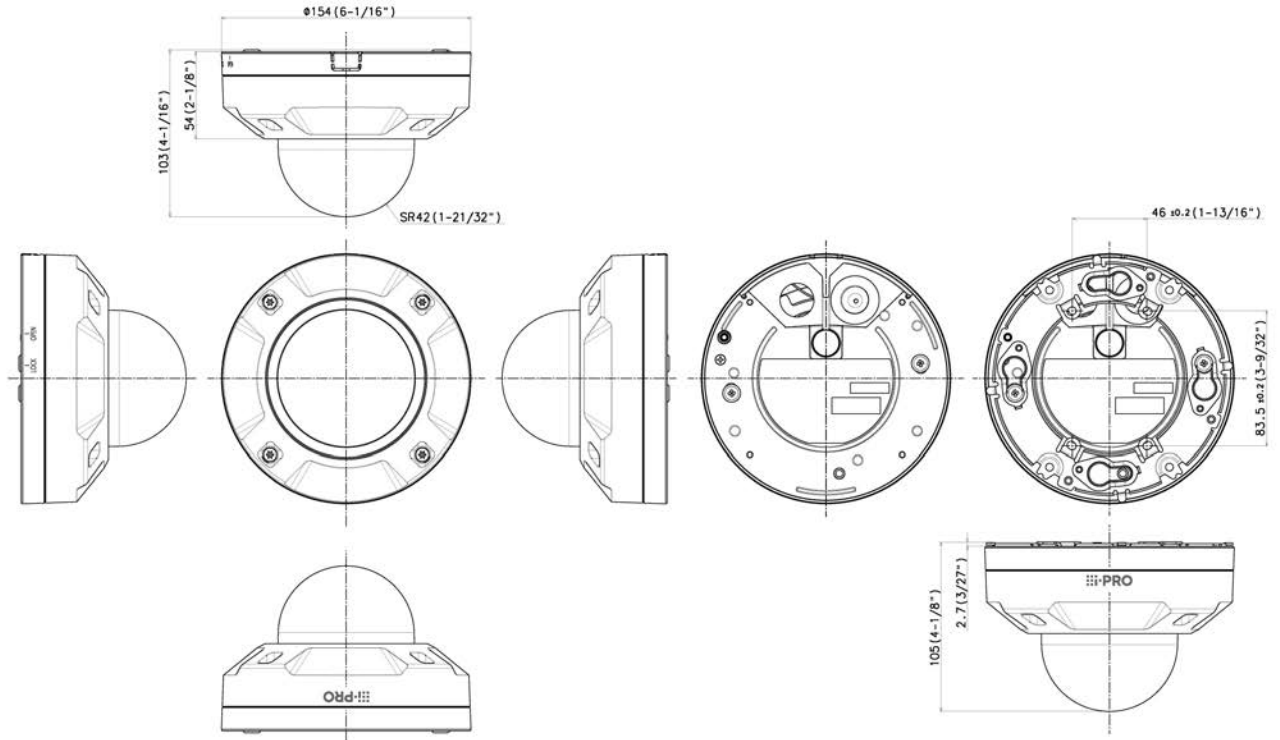
i-PRO SD Memory Card



WV-SDB032G

i-PRO SD Memory Card

APPEARANCE



With Attachment plate

投影面積/Projected area	0.011 (m ²)
側面図/Side-view	0.011 (m ²)

Mass : Approx. 1.1 kg [2.43 lbs]
 (Excluding attachment for the conduit portion)

Unit:mm