

WV-S15700-V2LK

4K Outdoor Bullet Network Camera

S-series High resolution Network camera with AI engine



- 4K
- Intelligent Auto (with AI Engine)
- Super Dynamic 132dB
- Color night vision (0.04 to 0.06 lx)
- Smart Coding (with AI Engine)
- ClearSight Coating
- Built-in IR LED
- Heavy salt damage resistance specifications (ISO 14993 compliant)
- Built-in FIPS 140-2 Level 3 Compliant Secure Element (EdgeLock® SE050F NXP® Semiconductors)
- NDAA Compliant

Precautions for heavy salt damage resistance

SPECIFICATIONS

| Camera | |
|---|--|
| Image Sensor | 1/1.8 type CMOS image sensor |
| Scanning Area | 7.68 mm (H)×4.32 mm (V) {5/16 inches (H) × 5/32 inches (V)} |
| Minimum Illumination | Color : 0.04 lx (30IRE, F1.5, 1/30s) Color : 0.06 lx (50IRE, F1.5, 1/30s) BW : 0.03 lx (50IRE, F1.5, 1/30s) BW : 0 lx (50IRE, F1.5, 1/30s with IR LED) |
| White Balance | ATW1/ ATW2/ AWC |
| Shutter Speed | [30 fps/15 fps mode] 1/30 Fix to 1/10000 Fix [25 fps/12.5 fps mode] 1/25 Fix to 1/10000 Fix |
| Maximum Shutter | [30 fps mode] Max. 1/4000 s to Max. 16/30 s [25 fps mode] Max. 1/4000 s to Max. 16/25 s |
| Intelligent Auto | On / Off |
| Super Dynamic | On / Off, The level can be set in the range of 0 to 31. |
| Dynamic Range | Max. 132 dB (Super Dynamic : On, Level : 30 or more, 15fps) |
| Adaptive Black Stretch | The level can be set in the range of 0 to 255. |
| Back Light Compensation/High Light Compensation | BLC (Back light compensation) / HLC (High light compensation) / Off (only when Super dynamic / Intelligent Auto : Off) |
| Fog Compensation | On / Off (only when Intelligent auto / auto contrast adjust : Off) |
| Maximum Gain | The level can be set in the range of 0 to 11. |
| Color/BW (ICR) | Off / On (IR Light Off) / On (IR Light On) / Auto1 (IR Light Off) / Auto2 (IR Light On) / Auto3 (SCC) |
| IR LED Light | High / Middle / Low / Off, Maximum irradiation distance : 70 m {Approx. 230 ft} (30IRE) 50 m {Approx. 164 ft} (50IRE) |
| Digital Noise Reduction | The level can be set in the range of 0 to 255. |
| Video Motion Detection (VMD) | On / Off, 4 areas available |
| Scene Change Detection (SCD) | On / Off, 1 areas available |
| Audio Detection | On / Off |
| AI Sound Classification | Gunshot, Yell, Vehicle horn, Glass break |
| AI Analytics | AI Video Motion Detection, AI Privacy Guard, AI Face Detection, AI People Detection, AI Vehicle Detection, AI Non mask Detection, AI Occupancy Detection, AI Scene Change Detection For details : https://i-pro.com/products_and_solutions/en/surveillance/products/analytics-software 3rd party applications are also available. https://i-pro.com/products_and_solutions/en/surveillance/solutions/edge-ai-platform/application-list |
| Privacy Zone | On / Off, Up to 8 zones available |

| | |
|--------------------|---|
| VIQS | On / Off, Up to 8 zones available |
| Image Rotation | 0 ° / 90 ° / 180 ° / 270 ° |
| Camera Title (OSD) | On / Off, Up to 40 characters (alphanumeric characters, marks) |
| Focus Adjustment | Auto focus |

Lens

| | |
|------------------------|---|
| Optical zoom | 2.0x (Motorized zoom / Motorized focus) |
| Extra zoom | 2.0x - 6.0x (when resolution is 1280 x 720) |
| Focal length | 4.3 - 8.6 mm {5/32 inches - 11/32 inches} |
| Angular Field of View | [16 : 9 mode]*[4:3 mode] is not supported. Horizontal : 53° (TELE) – 104° (WIDE), Vertical : 30° (TELE) – 56° (WIDE) |
| Maximum Aperture Ratio | 1 : 1.5 (WIDE) – 1 : 2.4 (TELE) |
| Focus range | 1.0 m {39-3/8 inches} – ∞ |

DORI

| | |
|----------------------------|---|
| Detect (25ppm / 8ppf) | Wide: 60.0 m / 196.9 ft, Tele: 154.0 m / 505.4 ft |
| Observe (62.5ppm / 19ppf) | Wide: 24.0 m / 78.7 ft, Tele: 61.6 m / 202.1 ft |
| Recognize (125ppm / 38ppf) | Wide: 12.0 m / 39.4 ft, Tele: 30.8 m / 101.1 ft |
| Identify (250ppm / 76ppf) | Wide: 6.0 m / 19.7 ft, Tele: 15.4 m / 50.5 ft |

System on Chip (SoC)

| | |
|----------------------|----------------|
| System on Chip (SoC) | Ambarella CV22 |
|----------------------|----------------|

Adjusting Angle

| | |
|------------------|---|
| Ceiling mounting | Horizontal : ±180 ° (PAN rotation part) Vertical : 0 ° to 100 ° (TILT rotation part) Yaw : –190 ° to +100 ° (YAW rotation part) |
| Wall mounting | Horizontal : ±100 ° (TILT rotation part)* Vertical : ±100 ° (TILT rotation part)* Yaw : –190 ° to +100 ° (YAW rotation part) * You can change between horizontal and vertical angels by adjusting the PAN rotation part. |

Browser GUI

| | |
|---------------------------|--|
| Camera Control | Brightness, AUX On / Off |
| Audio | Mic (Line) Input : On / Off Volume adjustment : Low / Middle / High Audio Output : On / Off Volume adjustment : Low / Middle / High |
| GUI / Setup Menu Language | English, Italian, French, German, Spanish, Portuguese, Russian, Chinese, Japanese |
| Browser | Microsoft Edge, Firefox, Google Chrome |

Network

| | |
|---------------------------------------|---|
| Network IF | 10Base-T / 100Base-TX, RJ45 connector |
| Resolution H.265/ H.264/ JPEG (MJPEG) | [16 : 9 mode (30 fps mode)][16 : 9 mode (25 fps mode)] 3840x2160/ 2560x1440/ 1920x1080/ 1280x720/ 640x360/ 320x180 |
| H.265/H.264 | [Transmission Mode] Constant bit rate / VBR / Frame rate / Best effort [Transmission Type] Unicast port (AUTO) / Unicast port (MANUAL) / Multicast |

| | |
|-------------------------------|--|
| JPEG | [Image Quality] 10 steps |
| Smart Coding | GOP (Group of pictures control): Off/ Low (Variable GOP 1s-8s)/ Mid (Variable GOP 4s-16s)/ Advanced(Fixed GOP 60s w/1s key-frame)/ Frame rate control (Variable GOP 4s-16s with frame rate control) *Advanced and Frame rate control are only available with H.265. Smart VIQS: On(High)/On(Low)/Off, Smart P-picture control: On/Off |
| Audio Compression | G.726 (ADPCM) : 16 kbps / 32 kbps G.711 : 64 kbps AAC-LC : 64 kbps / 96 kbps / 128 kbps |
| Audio Transmission Mode | Off / Mic (Line) input / Audio output / Interactive (Half duplex) / Interactive (Full duplex) |
| Supported Protocol | IPv6 : TCP/IP, UDP/IP, HTTP, HTTPS, SSL/TLS, SMTP, DNS, NTP, SNMPv1/v2/v3, DHCPv6, RTP, MLD, ICMP, ARP, IEEE 802.1X, DiffServ, SFTP, MQTT, LLDP IPv4 : TCP/IP, UDP/IP, HTTP, HTTPS, SSL/TLS, RTSP, RTP, RTP/RTCP, SMTP, DHCP, DNS, DDNS, NTP, SNMPv1/v2/v3, UPnP, IGMP, ICMP, ARP, IEEE 802.1X, DiffServ, SRTP, SFTP, MQTT, LLDP |
| No. of Simultaneous Users | Up to 14 users (Depends on network conditions) |
| Secure | FIPS 140-2 level 3 (NXP® EdgeLock® SE050F), Device Certificate GlobalSign® pre-installed, HTTPS, User authentication, Digest authentication, Host authentication, IEEE802.1X, System log, Image transmission log, Brute-force protection, Alteration detection, Signed Firmware (V2.50 or later) |
| SDXC/SDHC/SD Memory Card | H.265 / H.264 recording : Manual REC / Alarm REC (Pre/Post) / Schedule REC / Backup upon network failure JPEG recording : Manual REC / Alarm REC (Pre/Post) / Backup upon network failure Compatible SDXC/SDHC/SD Memory Card : microSDXC memory card : 64 GB, 128 GB, 256 GB, 512 GB microSDHC memory card : 4 GB, 8 GB, 16 GB, 32 GB microSD memory card : 2 GB |
| Mobile Terminal Compatibility | iPad, iPhone(iOS 8.0 or later), Android™ terminals |
| ONVIF® Profile | G / M / S / T |

Alarm

| | |
|---------------|---|
| Alarm Source | 3 terminals input, VMD alarm, Command alarm, Audio detection alarm |
| Alarm Actions | SDXC/SDHC/SD memory recording, E-mail notification, HTTP alarm notification Indication on browser, TCP alarm notification output |

Input/Output

| | |
|------------------------|---|
| Audio input | ø3.5 mm stereo mini jack For microphone input : Recommended applicable microphone : Plug-in power type (Sensitivity of microphone : -51 dB to -38 dB (0 dB=1 V/Pa, 1 kHz)) Input impedance : Approx. 2 kΩ (unbalanced) Supply voltage : 2.5 V ±0.5 V For line input : Input level: Approx. -10 dBV |
| Audio Output | ø3.5 mm stereo mini jack (monaural output) Output impedance : Approx. 600 Ω (unbalanced) Output level : -20 dBV |
| External I/O Terminals | ALARM IN 1 (Alarm input 1/ Black & white input/ Auto time adjustment input) (x1) ALARM IN 2 (Alarm input 2/ ALARM OUT) (x1) ALARM IN 3 (Alarm input 3/ AUX OUT) (x1) |
| Monitor Output | Yes (for adjustment) Pin jack, NTSC or PAL signal can be output from camera |

General

| | |
|------------------------------------|---|
| Safety | UL (UL62368-1), c-UL (CSA C22.2 No.62368-1), CE, IEC62368-1 |
| EMC | FCC (Part15 ClassA), ICES-003 ClassA, EN55032 ClassA, EN55035 |
| Power Source and Power Consumption | DC power supply : DC12 V 1.0 A, Approx. 12.0 W PoE (IEEE802.3af compliant) Device : DC48 V 240 mA, Approx. 11.5 W (Class 0 device) |
| Ambient Operating Temperature | -40 °C to +60 °C (-40 °F to 140 °F) (Power On range : -30 °C to +60 °C {-22 °F to +140 °F}) |
| Ambient Operating Humidity | 10 to 100 % (no condensation) |
| Anti-Condensation System | Temish element + Heater + moisture absorption gel |
| Water and Dust Resistance | IP66, IEC60529 measuring standard compatible, Type 4X(UL50E), NEMA 4X compliant |
| Shock Resistance | IK10 (IEC 62262) |
| Wind Resistance | Up to 40 m/s {approx. 89 mph} |
| Dimensions | ø133 mm (W) x 133 mm (H) x 383 mm (D) {ø5-1/4 inches (W) x 5-1/4 inches (H) x 15-3/32 inches (D)} |
| Mass (approx.) | Approx. 2.4 kg {5.3 lbs.} |
| Finish | Main body : Aluminum die cast and resin, i-PRO white Outer fixing screws : Stainless steel (Corrosion-resistant treatment) Front panel : Polycarbonate resin, Clear (with ClearSight coating) |
| Other | WV-S15700-V2LK : Heavy salt damage resistance specifications (ISO 14993 compliant) |

NOTES

Important

- Safety Precautions : Carefully read the Basic Information, Installation Guide and Operating Instructions before using this product.
- i-PRO Co., Ltd. cannot be held responsible for the performance of the network and/or other manufacturers' products used on the network.
- Masses and dimensions are approximate.
- Specifications are subject to change without notice.

Trademarks and registered trademarks

- iPad and iPhone are trademarks of Apple Inc., registered in the U.S. and other countries. – Android is a trademark of Google LLC.
- ONVIF is a trademark of ONVIF, Inc.
- All other trademarks identified herein are the property of their respective owners

©i-PRO Co., Ltd All rights reserved / November 2022

OPTIONAL ACCESSORIES

Select a compatible accessory

[Accessory Selector \(i-pro.com\)](http://i-pro.com)



WV-QCA501A
I/O Cable



WV-QCA500A
RJ45 Ethernet Cable



WV-PM500
Compact microphone
unit



WV-SDB256G
i-PRO SD Memory
Card



WV-SDB128G
i-PRO SD Memory
Card

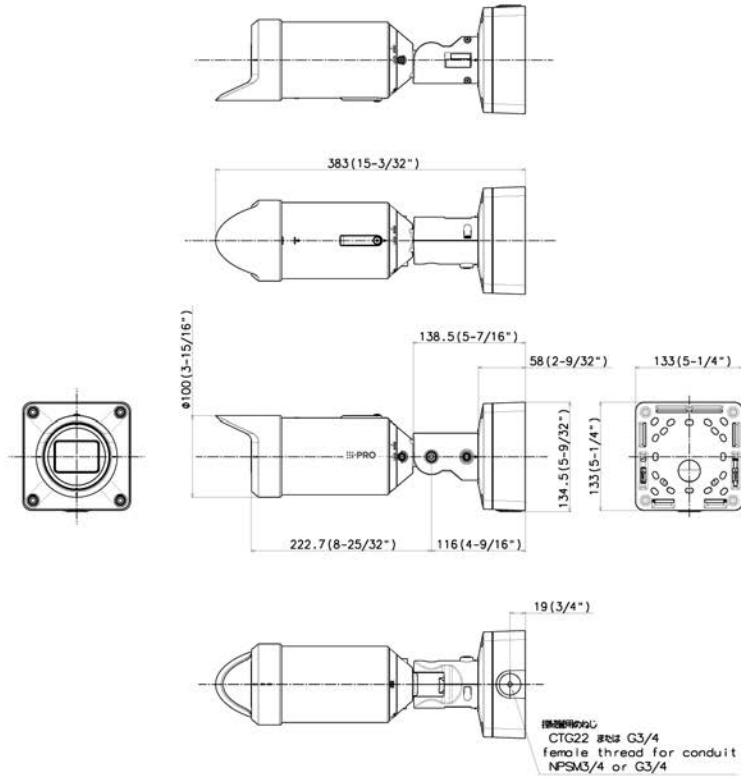


WV-SDB064G
i-PRO SD Memory
Card



WV-SDB032G
i-PRO SD Memory
Card

APPEARANCE



| | 投影面積/Projected area |
|---------------|-------------------------|
| 平面図/Top-view | 0.033 (m ²) |
| 側面図/Side-view | 0.030 (m ²) |

Mass : Approx. 2.4 kg [5.3 lbs]

