

# WV-S25700-V2LN1

4K Vandal Resistant Outdoor Dome Network Camera

**S-series High resolution Network camera with AI engine**

---



- 4K
- Intelligent Auto (with AI Engine)
- Super Dynamic 132dB
- Color night vision (0.04 to 0.06 lx)
- Smart Coding (with AI Engine)
- ClearSight Coating
- Built-in IR LED
- Fiber Optic Media Converter Unit(Optional WV-S25F1)
- Built-in FIPS 140-2 Level 3 Certified Secure Element (EdgeLock® SE050F NXP® Semiconductors)
- NDAA Compliant

# SPECIFICATIONS

| Camera  |  |
|---|--|
| Image Sensor                                      | Approx. 1/1.8 type CMOS image sensor   |
| Scanning Area                                     | 7.68 mm (H)×4.32 mm (V)<br>{5/16 inches (H) × 5/32 inches (V)}   |
| Minimum Illumination                              | Color :<br>0.04 lx (30IRE, F1.5, 1/30s, AGC:11)*<br>0.06 lx (50IRE, F1.5, 1/30s, AGC:11)<br>0.004 lx (50IRE, F1.5, 16/30s, AGC:11)*<br><br>BW :<br>0 lx (50IRE, F1.5, 1/30s, AGC:11, IR LED: On)<br>0.03 lx (50IRE, F1.5, 1/30s, AGC:11)<br>0.002 lx (50IRE, F1.5, 16/30s, AGC:11)*<br>*Converted value  |
| White Balance                                     | ATW1 / ATW2 / AWC  |
| Shutter Speed                                     | [30 fps/15 fps mode] 1/30 Fix to 1/10000 Fix [25 fps/12.5 fps mode] 1/25 Fix to 1/10000 Fix  |
| Maximum Shutter                                   | [30 fps mode] Max. 1/4000 s to Max. 16/30 s<br>[25 fps mode] Max. 1/4000 s to Max. 16/25 s   |
| Intelligent Auto                                  | On / Off   |
| Super Dynamic                                     | On / Off, The level can be set in the range of 0 to 31.  |
| Dynamic Range                                     | Max.132 dB (Super Dynamic : On, Level 31)  |
| Adaptive Black Stretch                            | The level can be set in the range of 0 to 255.   |
| Back light compensation / High light compensation | BLC (Back light compensation) / HLC (High light compensation) / Off (only when Super dynamic / Intelligent Auto : Off)   |
| Fog compensation                                  | On / Off (only when Intelligent auto / auto contrast adjust : Off)   |
| Maximum gain (AGC)                                | The level can be set in the range of 0 to 11.  |
| Color/BW (ICR)                                    | Off / On (IR Light Off) / On (IR Light On) / Auto1 (IR Light Off) / Auto2 (IR Light On) / Auto3 (SCC)  |
| IR LED Light                                      | High / Middle / Low / Off,<br>Maximum irradiation distance : 70 m (Approx. 230 ft) (30IRE) , 50 m (Approx. 164 ft) (50IRE)   |
| Digital Noise Reduction                           | The level can be set in the range of 0 to 255.   |
| Video Motion Detection (VMD)                      | On / Off, 4 areas available  |
| Scene Change Detection (SCD)                      | On / Off, 1 areas available  |
| Audio Detection                                   | On / Off   |
| AI Sound Classification                           | Gunshot, Yell, Vehicle horn, Glass break   |
| AI Analytics                                      | AI Video Motion Detection, AI Privacy Guard, AI Face Detection,<br>AI People Detection, AI Vehicle Detection, AI Non mask Detection (prior to V2.70), AI Occupancy Detection, AI Scene Change Detection<br><br>For details :<br><a href="https://i-pro.com/products_and_solutions/en/surveillance/products/analytics-software">https://i-pro.com/products_and_solutions/en/surveillance/products/analytics-software</a><br>3rd party applications are also available.<br><a href="https://i-pro.com/products_and_solutions/en/surveillance/solutions/edge-ai-platform/application-list">https://i-pro.com/products_and_solutions/en/surveillance/solutions/edge-ai-platform/application-list</a> |
| Privacy Zone                                      | On / Off, Up to 8 zones available  |
| VIQS  | On / Off, Up to 8 zones available  |
| Image rotation                                    | 0 ° / 90 ° / 180 ° / 270 °   |
| Camera Title (OSD)                                | On / Off, Up to 40 characters (alphanumeric characters, marks)   |
| Focus Adjustment                                  | Auto focus   |
| Lens  |  |
| Optical zoom                                      | 2.0x (Motorized zoom / Motorized Focus)  |
| Extra zoom  | 2.0x -6.0x (when resolution is 1280 x 720)   |
| Focal length                                      | 4.3 - 8.6 mm {5/32 inches - 11/32 inches}  |
| Angular Field of View                             | [16 : 9 mode] Horizontal : 52° (TELE) - 101° (WIDE), Vertical : 29° (TELE) - 55° (WIDE) *[4:3 mode] is not supported.  |
| Maximum Aperture Ratio                            | 1 : 1.5 (WIDE) - 1 : 2.4 (TELE)  |
| Focus range                                       | 1.0 m {39-3/8 inches} -∞   |
| DORI  |  |
| Detect (25ppm / 8ppf)                             | Wide: 63.3 m / 207.7 ft, Tele: 157.5 m / 516.6 ft  |
| Observe (62.5ppm / 19ppf)                         | Wide: 25.3 m / 83.1 ft, Tele: 63.0 m / 206.6 ft  |
| Recognize (125ppm / 38ppf)                        | Wide: 12.7 m / 41.5 ft, Tele: 31.5 m / 103.3 ft  |

|                                       |   |
|---------------------------------------|---|
| Identify (250ppm / 76ppf)             | Wide: 6.3 m / 20.8 ft, Tele: 15.7 m / 51.7 ft   |
| <b>System on Chip (SoC)</b>           |   |
| System on Chip (SoC)                  | Ambarella CV22  |
| <b>Adjusting Angle</b>                |   |
| Adjusting Angle                       | Horizontal : -194 to +166°, Vertical : -30 to +85°, Yaw : ±100°   |
| <b>Browser GUI</b>                    |   |
| Camera Control                        | Brightness, AUX On / Off  |
| Audio                                 | Mic (Line) Input : On / Off Volume adjustment : Low / Middle / High Audio Output : On / Off Volume adjustment : Low / Middle / High   |
| GUI / Setup Menu Language             | English, Italian, French, German, Spanish, Portuguese, Russian, Chinese, Japanese   |
| Browser                               | Microsoft Edge, Firefox, Google Chrome  |
| <b>Network</b>                        |   |
| Network IF                            | 10Base-T / 100Base-TX, RJ45 connector   |
| Resolution H.265/ H.264/ JPEG (MJPEG) | [16 : 9 mode (30 fps mode)][16 : 9 mode (25 fps mode)] 3840x2160/2560x1440/1920x1080/1280x720/640x360/320x180   |
| H.265/H.264 Transmission Mode         | Constant bit rate / VBR / Frame rate / Best effort  |
| H.265/H.264 Transmission Type         | Unicast port (AUTO) / Unicast port (MANUAL) / Multicast   |
| JPEG Image Quality                    | 10 steps  |
| Smart Coding                          | GOP (Group of pictures control): Off/ Low (Variable GOP 1s-8s) / Mid (Variable GOP 4s-16s) / Advanced (Fixed GOP 60s w/1s key-frame) / Frame rate control (Variable GOP 4s-16s with frame rate control) *Advanced and Frame rate control are only available with H.265. Smart VIQS: On(High) / On(Low) / Off, Smart P-picture control: On/Off                       |
| Audio Compression                     | G.726 (ADPCM) : 16 kbps / 32 kbps, G.711 : 64 kbps, AAC-LC : 64 kbps / 96 kbps / 128 kbps   |
| Audio transmission mode               | Off / Mic (Line) input / Audio output / Interactive (Half duplex) / Interactive (Full duplex)   |
| Supported Protocol                    | IPv6 : TCP/IP, UDP/IP, HTTP, HTTPS, SSL/TLS, SMTP, DNS, NTP, SNMPv1/v2/v3, DHCPv6, RTP, MLD, ICMP, ARP, IEEE 802.1X, DiffServ, FTP, SFTP, MQTT, LLDP<br>IPv4 : TCP/IP, UDP/IP, HTTP, HTTPS, SSL/TLS, RTSP, RTP, RTCP, SMTP, DHCP, DNS, DDNS, NTP, SNMPv1/v2/v3, UPnP, IGMP, ICMP, ARP, IEEE 802.1X, DiffServ, SRTP, FTP, SFTP, MQTT, LLDP                           |
| No. of Simultaneous Users             | Up to 14 users<br>(Depends on network conditions)   |
| Secure                                | FIPS 140-2 level 3 (NXP® EdgeLock® SE050F), Device Certificate GlobalSign® pre-installed, HTTPS, User authentication, Digest authentication, Host authentication, IEEE802.1X, System log, Image transmission log, Brute-force protection, Alteration detection, Signed Firmware   |
| SDXC/SDHC/SD Memory Card              | H.265 / H.264 recording : Manual REC / Alarm REC (Pre/Post) / Schedule REC / Backup upon network failure JPEG recording : Manual REC / Alarm REC (Pre/Post) / Backup upon network failure Compatible SDXC/SDHC/SD Memory Card : microSDXC memory card : 64 GB, 128 GB, 256 GB, 512 GB, microSDHC memory card : 4 GB, 8 GB, 16 GB, 32 GB, microSD memory card : 2 GB |
| Mobile Terminal Compatibility         | iPad,<br>iPhone (iOS 8.0 or later),<br>Android™ terminals   |
| ONVIF® Profile                        | G / M / S / T   |
| <b>Alarm</b>                          |   |
| Alarm Source                          | 3 terminals input,<br>VMD alarm,<br>Command alarm,<br>Audio detection alarm   |
| Alarm Actions                         | SDXC/SDHC/SD memory recording, E-mail notification, HTTP alarm notification Indication on browser, TCP alarm notification output  |
| <b>Input/Output</b>                   |   |
| Audio input                           | ø3.5 mm stereo mini jack  |
| Audio input [For microphone input]    | Recommended applicable microphone : Plug-in power type (Sensitivity of microphone : -51 dB to -38 dB (0 dB=1 V/Pa, 1 kHz)), Input impedance : Approx. 2 kΩ (unbalanced), Supply voltage : 2.5 V ±0.5 V  |
| Audio input[For line input]           | Input level : Approx. -10 dBV   |
| Audio Output                          | ø3.5 mm stereo mini jack (monaural output), Output impedance : Approx. 600 Ω (unbalanced), Output level : -20 dBV   |
| External I/O Terminals                | ALARM IN 1 (Alarm input 1/ Black & white input/ PoE (IEEE802.3af compliant) Device : DC48 V 240 mA, Approx. 11.5 W (Class 0 device)<br>ALARM IN 2 (Alarm input 2/ ALARM OUT) (x1), ALARM IN 3 (Alarm input 3/ AUX OUT) (x1)   |
| Monitor Output                        | Yes (for adjustment)<br>Pin jack, NTSC or PAL signal can be output from camera  |
| <b>General</b>                        |   |
| Safety                                | UL (UL62368-1), c-UL (CSA C22.2 No.62368-1), CE, IEC62368-1   |
| EMC                                   | FCC (Part15 ClassA), ICES-003 ClassA, EN55032 ClassA, EN55035   |
| Power Source and Power Consumption    | DC power supply : DC12 V 1.0 A, Approx. 12.0 W, PoE (IEEE802.3af compliant) Device : DC48 V 240 mA, Approx. 11.5 W (Class 0 device)   |
| Ambient Operating Temperature         | -40 °C to +60 °C (-40 °F to 140 °F) (Power On range : -30 °C to +60 °C [-22 °F to +140 °F])   |
| Ambient Operating Humidity            | 10 to 100 % (no condensation)   |
| Anti-Condensation System              | Temish element + Heater + moisture absorption gel   |
| Water and Dust Resistance             | IP66, IEC60529 measuring standard compatible, Type 4X(UL50E), NEMA 4X compliant   |
| Shock Resistance                      | IK10 (IEC 62262)  |
| Wind Resistance                       | Up to 40 m/s (approx. 89 mph)   |

|                |  |
|----------------|--|
| Dimensions     | ø154 mm x 105 mm (H) {ø6-1/16 inches x 4-1/8 inches (H)}   |
| Mass (approx.) | Approx. 1.1 kg [2.43 lbs.]   |
| Finish         | Main body : Aluminum die cast, Black, Outer fixing screws : Stainless steel (Corrosion-resistant treatment), Dome section : Polycarbonate resin, Clear (with ClearSight coating) |

## NOTES

### Important

- Safety Precautions : Carefully read the Basic Information, Installation Guide and Operating Instructions before using this product.
- i-PRO Co., Ltd. cannot be held responsible for the performance of the network and/or other manufacturers' products used on the network.
- Masses and dimensions are approximate. Specifications are subject to change without notice.

### Trademarks and registered trademarks

- iPad and iPhone are trademarks of Apple Inc., registered in the U.S. and other countries. - Android is a trademark of Google LLC.
- ONVIF is a trademark of ONVIF, Inc.
- All other trademarks identified herein are the property of their respective owners

©i-PRO Co., Ltd All rights reserved / February 2023

## OPTIONAL ACCESSORIES

Select a compatible accessory

[Accessory Selector \(i-pro.com\)](http://i-pro.com)



WV-QWL506M1-B  
ANSI Male Wall Mount Bracket  
(1.5"NPT)



WV-QWL506-B  
4-screw Wall Mount Bracket



WV-QWL501-B  
Mount Bracket



WV-QWL500-B  
Mount Bracket



WV-QSR505-B  
Sun Shade



WV-QSR501-B  
Mount Bracket



WV-QPL500-B  
Mount Bracket



WV-QJB504-W  
Base Bracket



WV-QJB501-B  
Base Bracket



WV-QJB500-B  
Mount Bracket



WV-QEM500-W  
Mount Bracket



WV-QCN500-W  
Mount Bracket



WV-QCL101-B  
Mount Bracket



WV-QCL100-B  
Mount Bracket



WV-Q178  
Mount Bracket



WV-Q105A  
Mount Bracket



PWM485W  
Wall Mount and Shroud



PS485W  
Shroud



PPRM35W  
Parapet Mount Bracket



PAPM4W  
Pole Mount Bracket



PACA4W  
Corner Mount Adapter Bracket



WV-QCA501A  
I/O Cable



WV-QCA500A  
RJ45 Ethernet Cable



WV-CW7SN  
Dome cover



WV-CW7S  
Dome cover



WV-CW7CN  
Dome cover



WV-PM500  
Compact microphone unit



WV-QCN500-B  
Mount Bracket



WV-QCL501-B  
Mount Bracket



WV-QDC504C  
Dome Cover



WV-SDB256G  
i-PRO SD Memory Card



WV-SDB128G  
i-PRO SD Memory Card

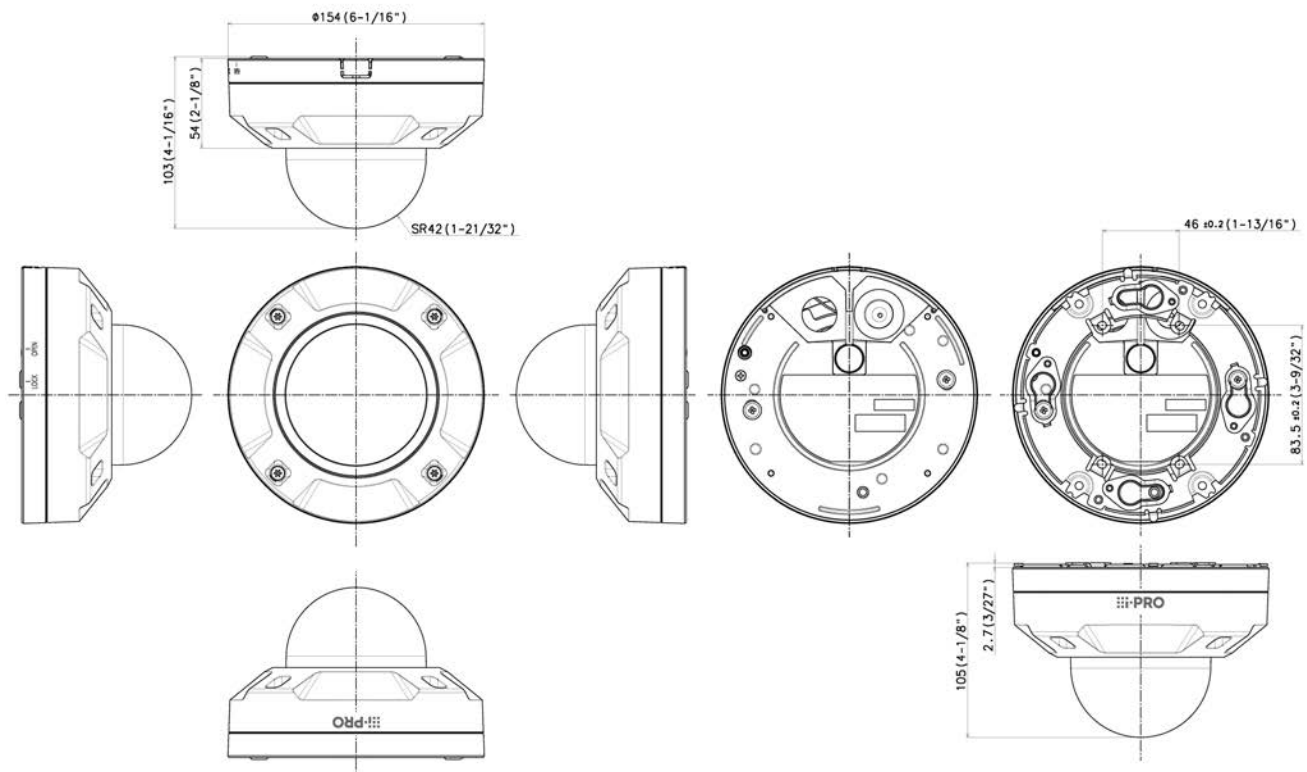


WV-SDB064G  
i-PRO SD Memory Card



WV-SDB032G  
i-PRO SD Memory Card

APPEARANCE



**With Attachment plate**

|               |                        |
|---------------|------------------------|
| 側面図/Side-view | 投影面積/Projected area    |
|               | 0.011(m <sup>2</sup> ) |

Mass : Approx. 1.1 kg (2.43 lbs)  
 (Excluding attachment for the conduit portion)

Unit:mm