

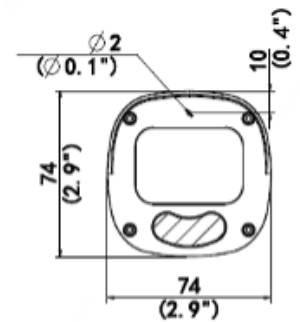
### Overview

- 4 Megapixel IR
- True WDR 120dB
- 2.8mm to 12mm Varifocal Lens
- H.265, H.264, MJPEG
- Support 9:16 Corridor Mode
- IP67
- Built-in Mic
- NDAA Compliant
- ONVIF Profile G, S, T



### Technical Specifications


Device			
Image Sensor:	1/3", 4.0 Megapixel, Progressive Scan, CMOS		
Min Illumination:	Color: 0.003Lux (F1.6, AGC ON)   0Lux with IR on		
Shutter Time:	Auto/Manual, 1 ~ 1/100000s		
Lens:	2.8 ~ 12mm, AF Automatic Focusing and Motorized Zoom Lens		
WDR:	120dB		
S/N:	>56dB		
Angle of View:	H: 102.79°~ 30.86°	V: 54.50°~ 17.49°	O: 106.94°~35.49°
Angle Adjustment:	Pan: 0° ~ 360°	Tilt: 0° ~ 90°	Rotate: 0° ~ 360°
3-Axis Adjustment:	Yes		
Day & Night:	IR-cut filter with auto switch (ICR)		
IR Range:	Up to 50m (164ft) IR range		
Compression Standard			
Video Compression:	H.265, H.264, MJPEG		
Video Bit Rate:	128 Kbps~16 Mbps		
Triple Stream:	Yes		
Analytics:	Cross line, Intrusion (based on Human Body Detection) Motion Detection, Tampering Alarm, Audio detection		
Image			
Max. Image Resolution:	2688 x 1520		
Frame Rate:	25fps (2688 x 1520)		
ROI Codec:	Up to 8 Areas		
Image Setting:	White Balance, Digital Noise Reduction, Smart IR, Flip, HLC, BLC, Defog		



## Technical Specifications

Network					
Protocols:	IPv4, IPv6, IGMP, ICMP, ARP, TCP, UDP, DHCP, RTP, RTSP, RTCP, RTMP, DNS, DDNS, NTP, FTP, UPnP, HTTP, HTTPS, SMTP, SSL/TLS, QoS, 802.1x, SNMP				
Interface					
Communication Interface:	10/100M Base-TX Ethernet				
Edge Storage:	Micro SD, up to 256GB				
Audio Compression:	G.711U, G.711A				
DORI					
DORI Distance	Lens (mm)	Detect (m)	Observe (m)	Recognize (m)	Identify (m)
	2.8	63.0	25.2	12.6	6.3
	12	270.0	108.0	54.0	27.0
General					
Safety	CE: EN 62368-1 UL: UL 62368-1				
EMC	FCC: FCC Part 15 CE-EMC: EN 55032/ EN 55035/ EN IEC 61000-3-2/ EN 61000-3-3				
Operating Conditions:	Temperature: -30°C ~ 60°C (-22°F ~ 140°F), Humidity: ≤95% RH (non-condensing)				
Power Consumption:	Max 8.5W				
Power Supply:	DC 12V±25%, PoE (IEEE 802.3af)				
Weather Proof Rating:	IP67				
Vandal Resistant:	-				
Dimensions:	206 × 74 × 74mm (8.1" × 2.9" × 2.9")				
Weight:	0.55kg (1.2lb)				
Software:	No license required for use with Video Insight Software				

## Optional Accessories

JUNCTION BOX		M-JB-MINI-B	+		M-NPT34 * standard accessory
POLE		M-JB-MINI-B	+		M-PM-B-V2

© i-PRO Co., Ltd. All Rights Reserved. i-PRO, Viewnetcam.com, advidia, VideoInsight, ClouDE, and Unified Digital Evidence are registered trademarks or trademarks of i-PRO Co., Ltd. or i-PRO Americas Inc. in various jurisdictions. All other trademarks are the property of their respective owners.