

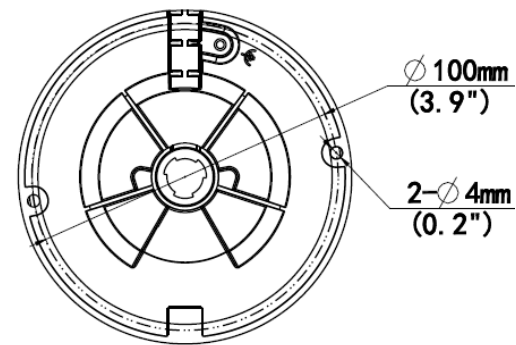
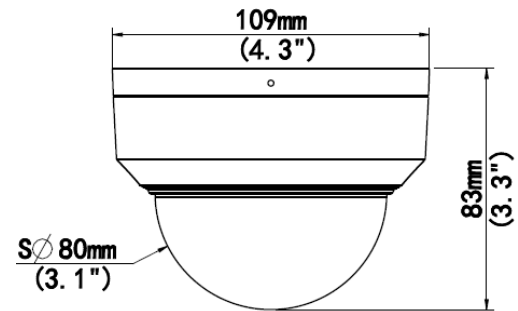
Overview

- 4 Megapixel IR
- True WDR 120dB
- 2.8mm Fixed lens
- H.265, H.264, MJPEG
- Support 9:16 Corridor Mode
- IP67, IK10
- Built-in Mic
- NDAA Compliant
- ONVIF Profile G, S, T



Technical Specifications

Device	
Image Sensor:	1/2.7", 4.0 Megapixel, Progressive Scan, CMOS
Min Illumination:	Color: 0.003Lux (F1.6, AGC ON) 0Lux with IR on
Shutter Time:	Auto/Manual, 1 ~ 1/100000s
Lens:	2.8mm@F1.6
WDR:	120dB
S/N	>56dB
Angle of View:	H: 112.9° V: 59.1° O: 121.2°
Angle Adjustment:	Pan: 8° ~ 360° Tilt: 0° ~ 68° Rotate: 10° ~ 360°
3-Axis Adjustment:	Yes
Day & Night:	IR-Cut Filter with Auto Switch (ICR)
IR Range:	Up to 30m (98ft) IR range
Compression Standard	
Video Compression:	H.265, H.264, MJPEG
Video Bit Rate:	128 Kbps~16 Mbps
Tri-Stream:	Yes
Analytics:	Crossline, Intrusion (Human Body Detection), Motion Detection, Tampering Alarm, Audio Detection
Image	
Max. Image Resolution:	2688 x 1520
Frame Rate:	25fps (2688 x 1520)
ROI Codec:	Up to 8 Areas
Image Setting:	White Balance, Digital Noise Reduction, Smart IR, Flip, HLC, BLC



Technical Specifications

Network					
Protocols:	IPv4, IGMP, ICMP, ARP, TCP, UDP, DHCP, RTP, RTSP, RTCP, RTMP, DNS, DDNS, NTP, FTP, UPnP, HTTP, HTTPS, SMTP, SSL/TLS, 802.1x, SNMP				
Interface					
Communication Interface:	1 RJ45 10M/100M Base-TX Ethernet				
Edge Storage:	Micro SD, up to 256GB				
Audio Compression:	G.711U, G.711A				
DORI					
DORI Distance	Lens (mm)	Detect (m)	Observe (m)	Recognize (m)	Identify (m)
	2.8	63.0	25.2	12.6	6.3
General					
Safety	CE: EN 62368-1 UL: UL 62368-1				
EMC	FCC: FCC Part 15 CE-EMC: EN 55032/ EN 55035/ EN IEC 61000-3-2/ EN 61000-3-3				
Operating Conditions:	Temperature: -30°C ~ 60°C (-22°F ~ 140°F), Humidity: ≤95% RH (Non-Condensing)				
Power Consumption:	Max 4.5W				
Power Supply:	DC 12V±25%, PoE (IEEE 802.3af)				
Weather Proof Rating:	IP67				
Vandal Resistant:	IK10				
Dimensions:	Φ109 x 83mm (Ø4.3" x 3.2")				
Weight:	0.36kg (0.79lb)				
Software:	No license required for use with Video Insight Software				

Optional Accessories

JUNCTION BOX	 M-JB-MINI	+	 M-NPT34 * standard accessory
WALL	 M-WM-JB-MINI-V2	OR	 M-WM-MINI
POLE	 M-WM-JB-MINI-V2 OR  M-WM-MINI	+	 M-PM-B-V2
PENDANT	 M-JB-MINI	+	 M-Pendant

© i-PRO Co., Ltd. All Rights Reserved. i-PRO, Viewnetcam.com, advidia, VideoInsight, ClouDE, and Unified Digital Evidence are registered trademarks or trademarks of i-PRO Co., Ltd. or i-PRO Americas Inc. in various jurisdictions. All other trademarks are the property of their respective owners.