

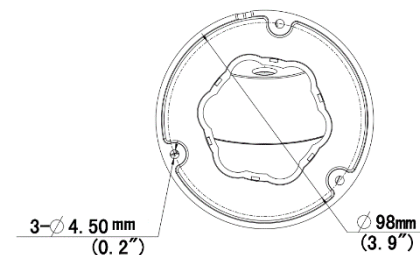
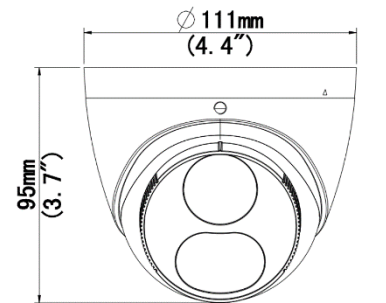
Overview

- 2 Megapixel IP
- WDR 52dB
- 2.8mm Fixed Lens
- H.265, H.264
- IP67
- NDAA Compliant



Technical Specifications

Device	
Image Sensor:	1 / 2.8" Progressive Scan CMOS
Min Illumination:	Color: 0.01Lux (F2.0, AGC ON) 0Lux with IR
Shutter Time:	Auto/Manual, 1 ~ 1/100000s
Lens:	2.8mm@F2.0
WDR:	52 dB
S/N:	>52dB
Angle of View:	H: 106.7°, V: 57.1°, O: 115.7°
Angle Adjustment:	Pan: 0° ~ 360° Tilt: 0° ~ 80° Rotate: 0° ~ 360°
3-Axis Adjustment:	Yes
Day & Night:	IR-Cut Filter with Auto Switch (ICR)
IR Range:	Up to 30m (98ft) IR range
Compression Standard	
Video Compression:	H.265, H.264
Video Bit Rate:	128 Kbps ~ 6 Mbps
Two Stream:	Yes
Analytics:	Motion Detection
Image	
Max. Image Resolution:	1920 x 1080
Frame Rate:	30fps (1920 x 1080)
ROI Codec:	Up to 8 areas
Image Setting:	White Balance, Digital Noise Reduction, Smart IR, Flip, HLC, BLC



Technical Specifications

Network					
Protocols:	IPv4, IGMP, ICMP, TCP, UDP, DHCP, RTP, RTSP, RTCP, DNS, DDNS, NTP, UPnP, HTTP				
Interface					
Communication Interface:	10M/100M Base-TX Ethernet				
DORI					
	Lens (mm)	Detect (m)	Observe (m)	Recognize (m)	Identify (m)
	2.8	43.4	17.4	8.7	4.3
General					
Safety	CE: EN 62368-1 UL: UL 62368-1				
EMC	FCC: FCC Part 15 CE-EMC: EN 55032/ EN 55035/ EN IEC 61000-3-2/ EN 61000-3-3				
Operating Conditions:	Temperature: -30°C~60°C (-22°F~140°F), Humidity: ≤95%RH (Non-Condensing)				
Power Consumption:	Max 5.0 W				
Power Supply:	DC 12V±25%, PoE (IEEE 802.3af)				
Weatherproof Rating:	IP67				
Dimensions:	Φ111 x 95mm (Φ4.4" x 3.8")				
Net Weight:	0.29kg (0.64lb)				
Software:	No license required for use with Video Insight Software				

Optional Accessories

JUNCTION BOX	 M-JB-MINI	+	 M-NPT34 * standard accessory
WALL	 M-WM-T-V2	OR	 M-WM-MINI
POLE	 M-WM-T-V2 OR  M-WM-MINI	+	 M-PM-B-V2
PENDANT	 M-JB-MINI	+	 M-Pendant

© i-PRO Co., Ltd. All Rights Reserved. i-PRO, Viewnetcam.com, advidia, VideoInsight, ClouDE, and Unified Digital Evidence are registered trademarks or trademarks of i-PRO Co., Ltd. or i-PRO Americas Inc. in various jurisdictions. All other trademarks are the property of their respective owners.