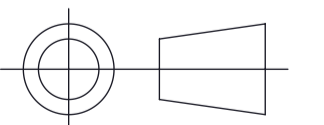
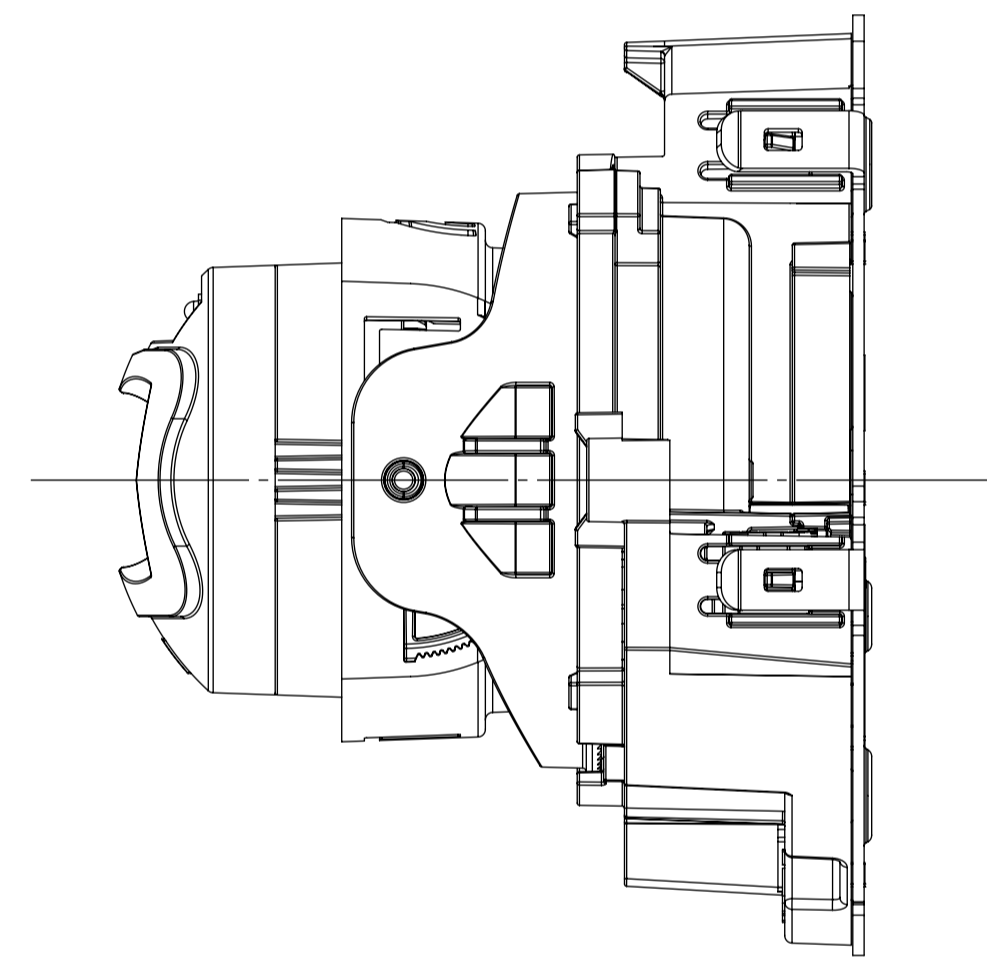
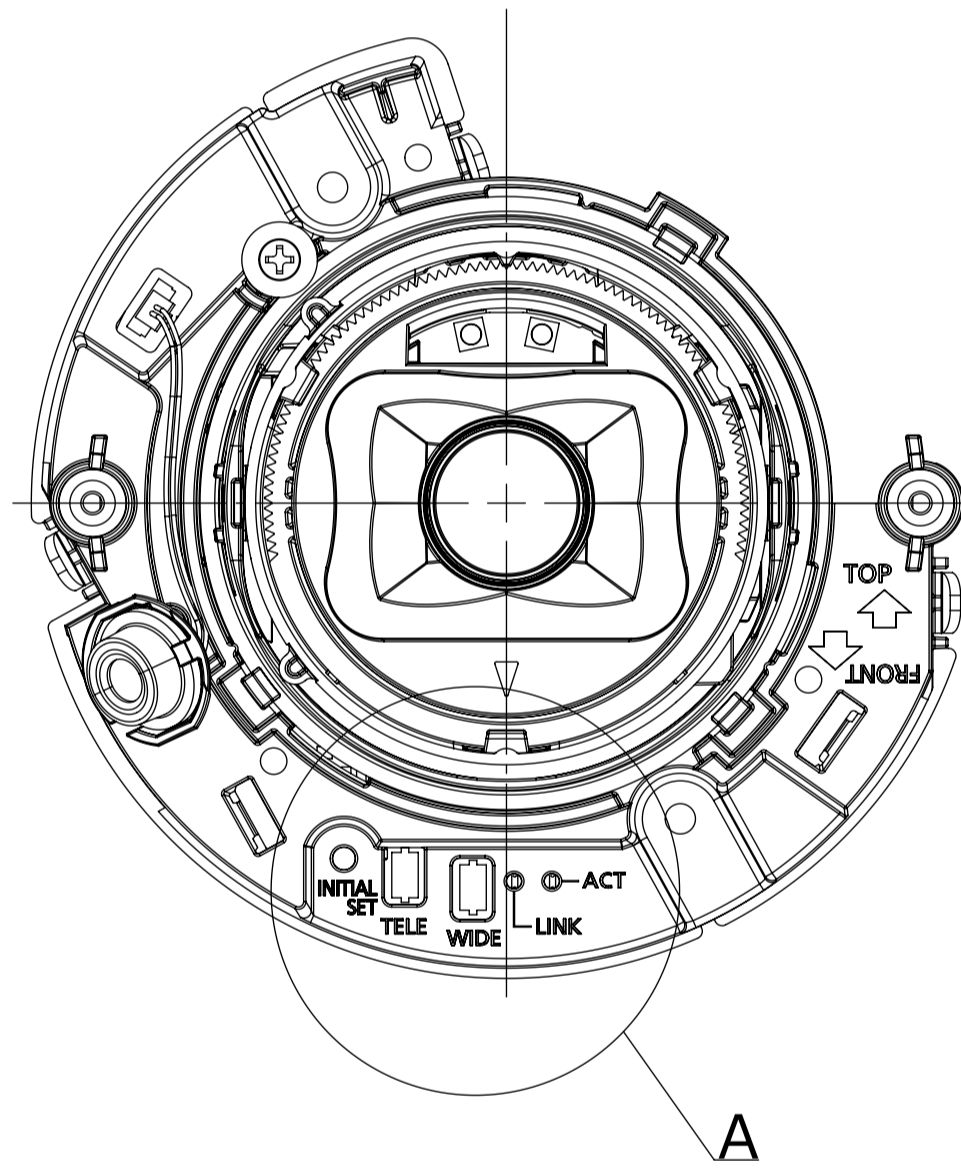
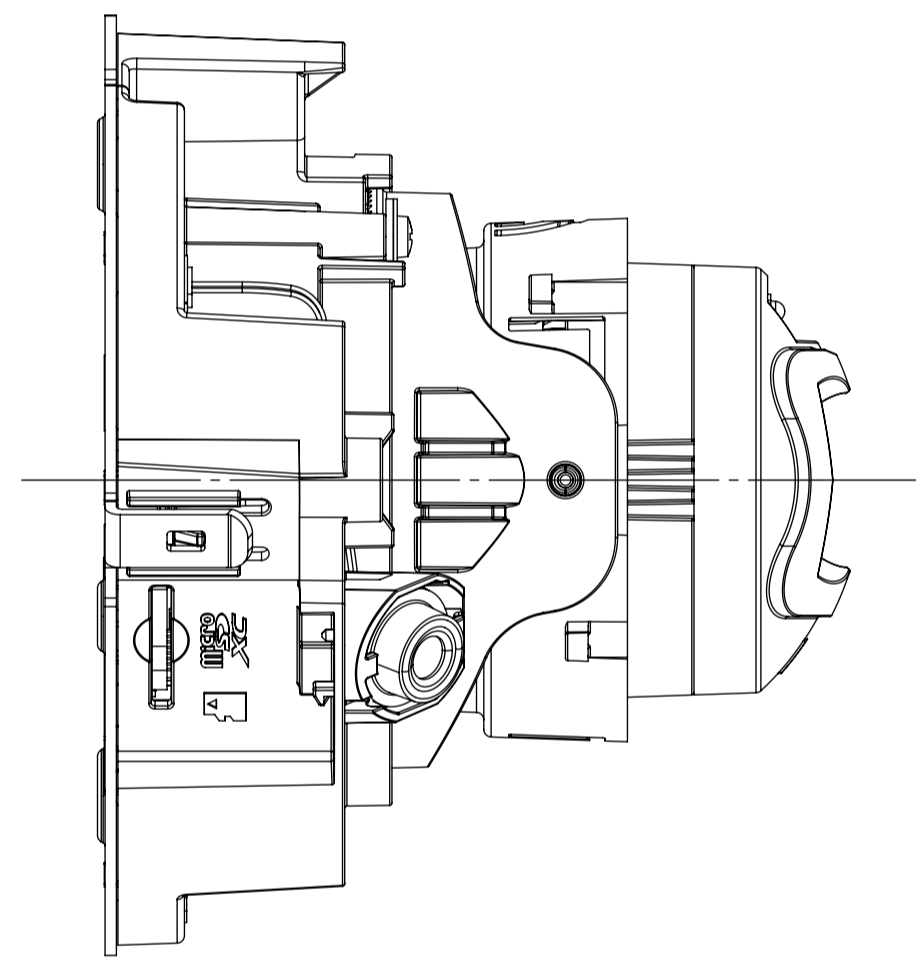
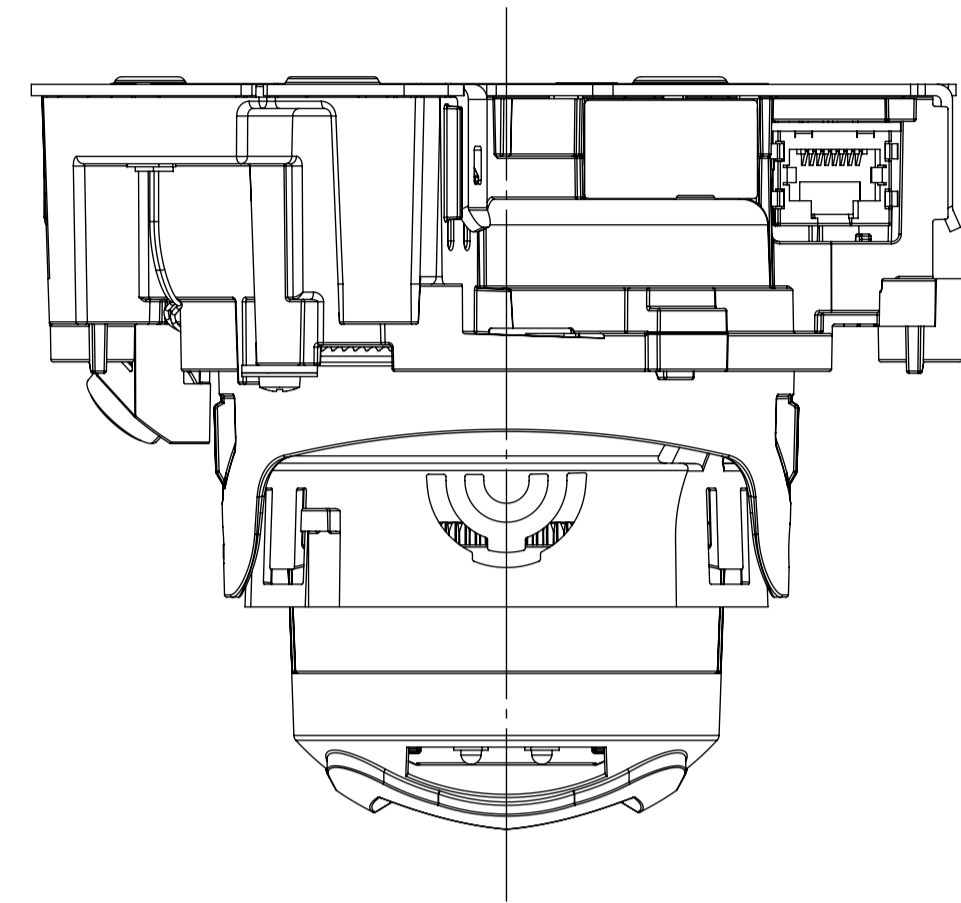


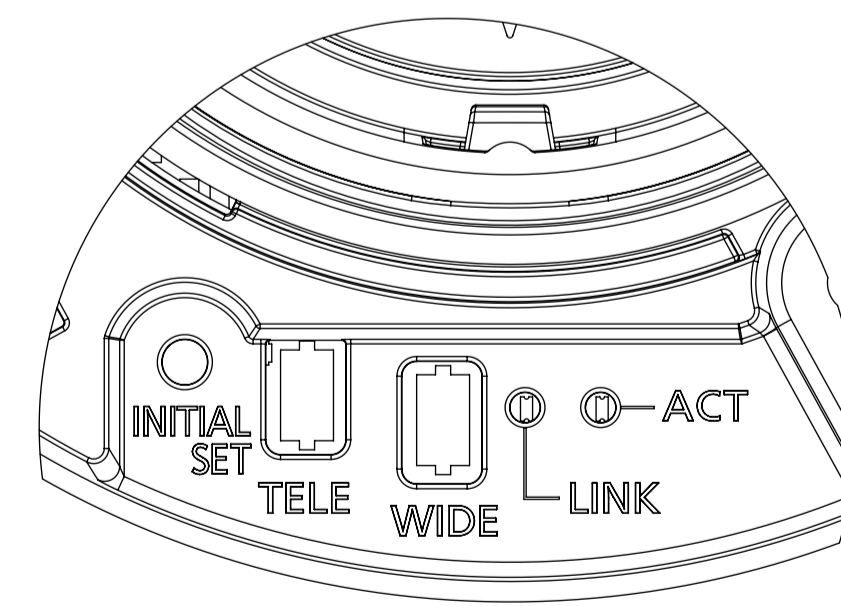
Mass : Approx. 380 g {0.84 lbs}

Unit:mm



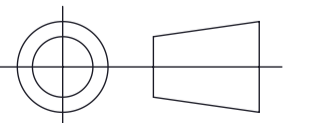


Without Enclosure

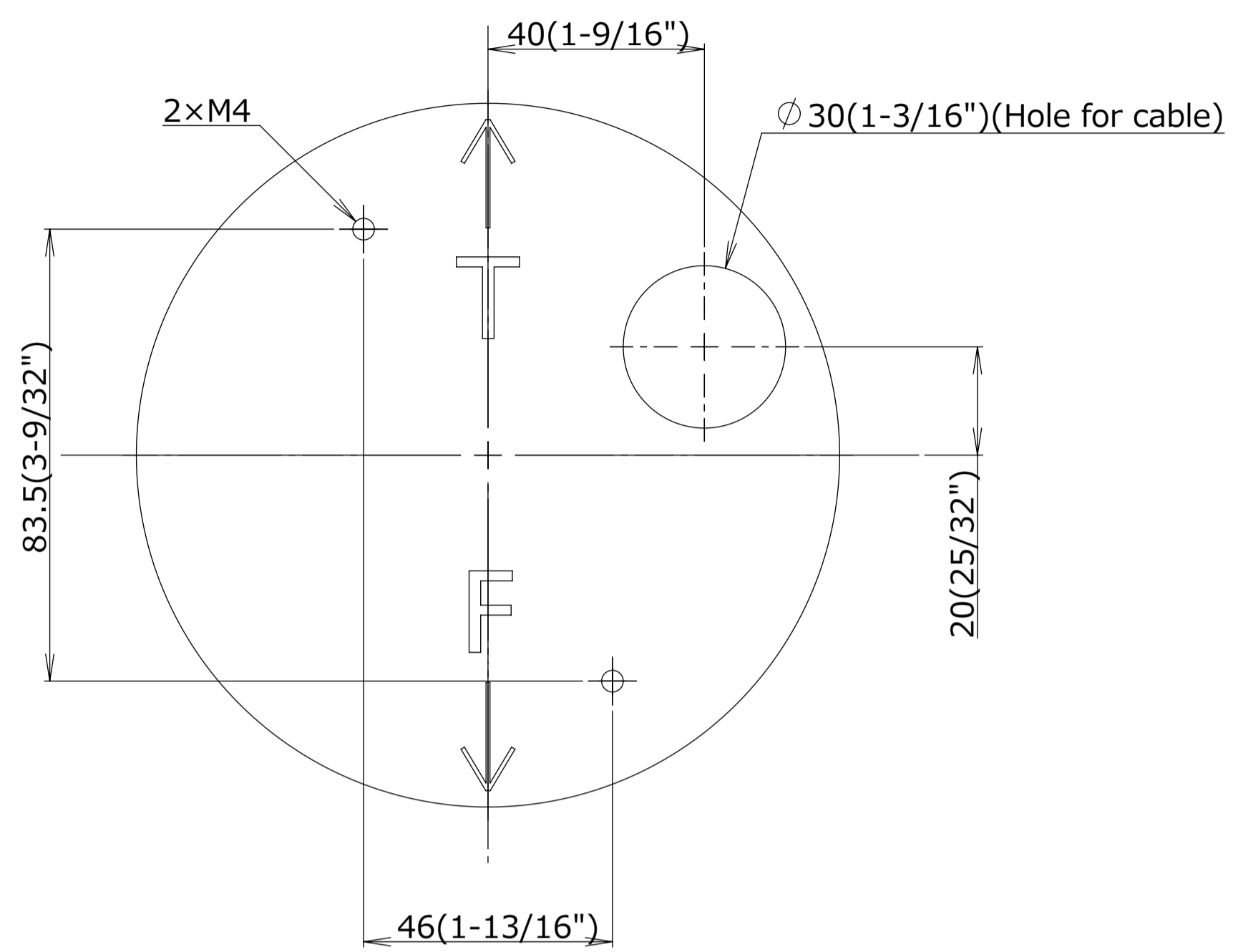


Detail A  
S= 2 : 1

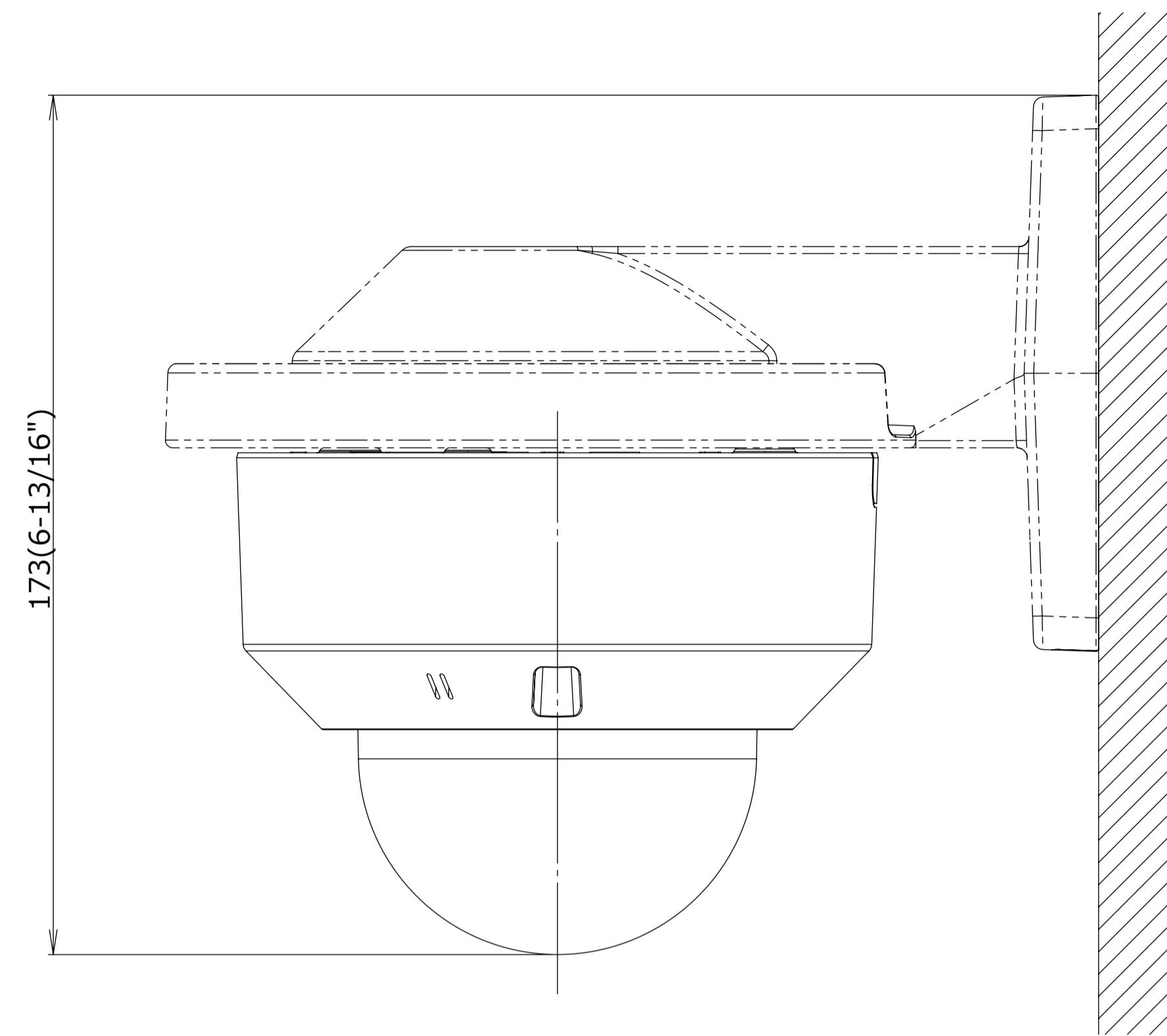
Unit:mm



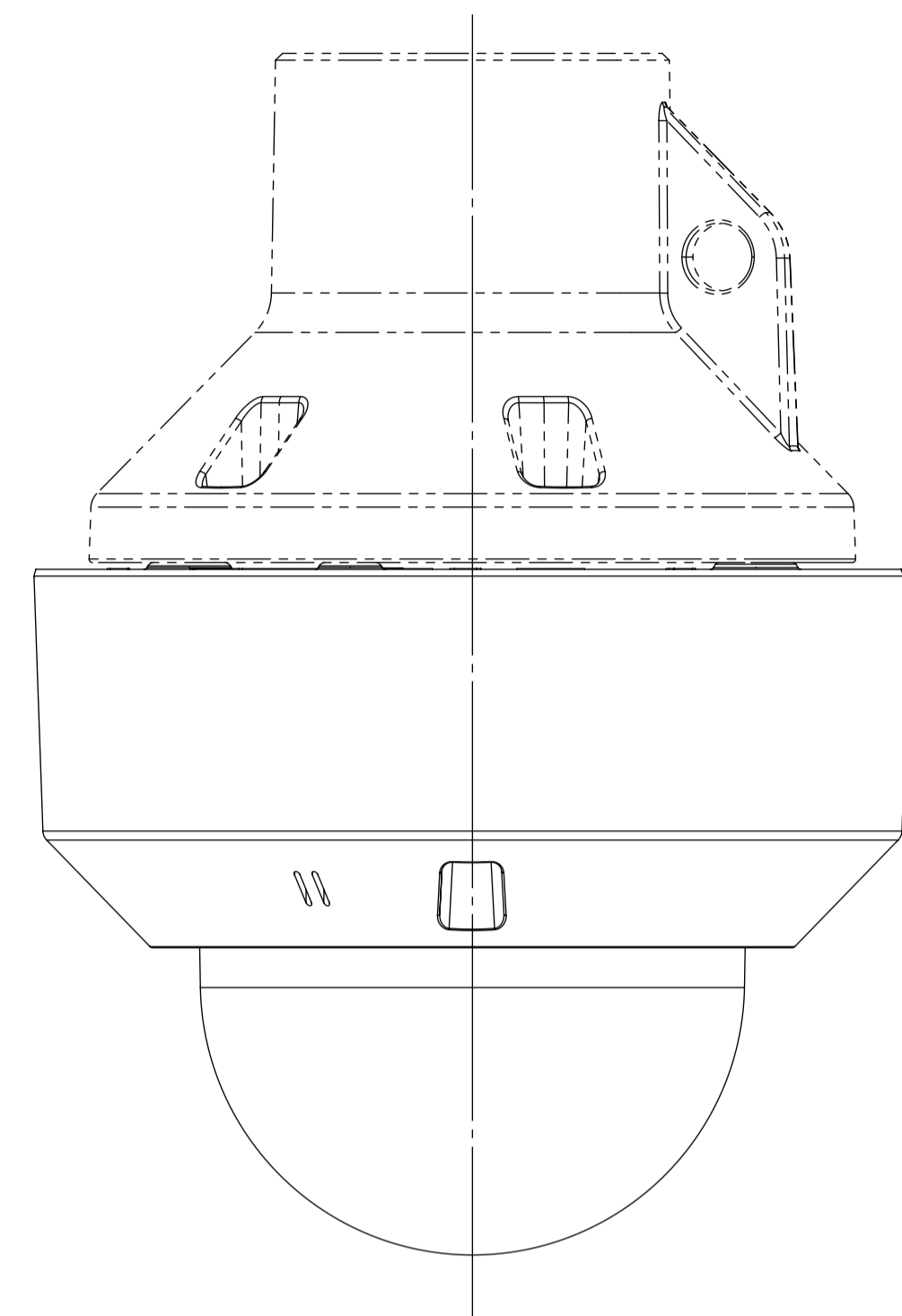
金具との組み合わせ例  
Example of combination with bracket



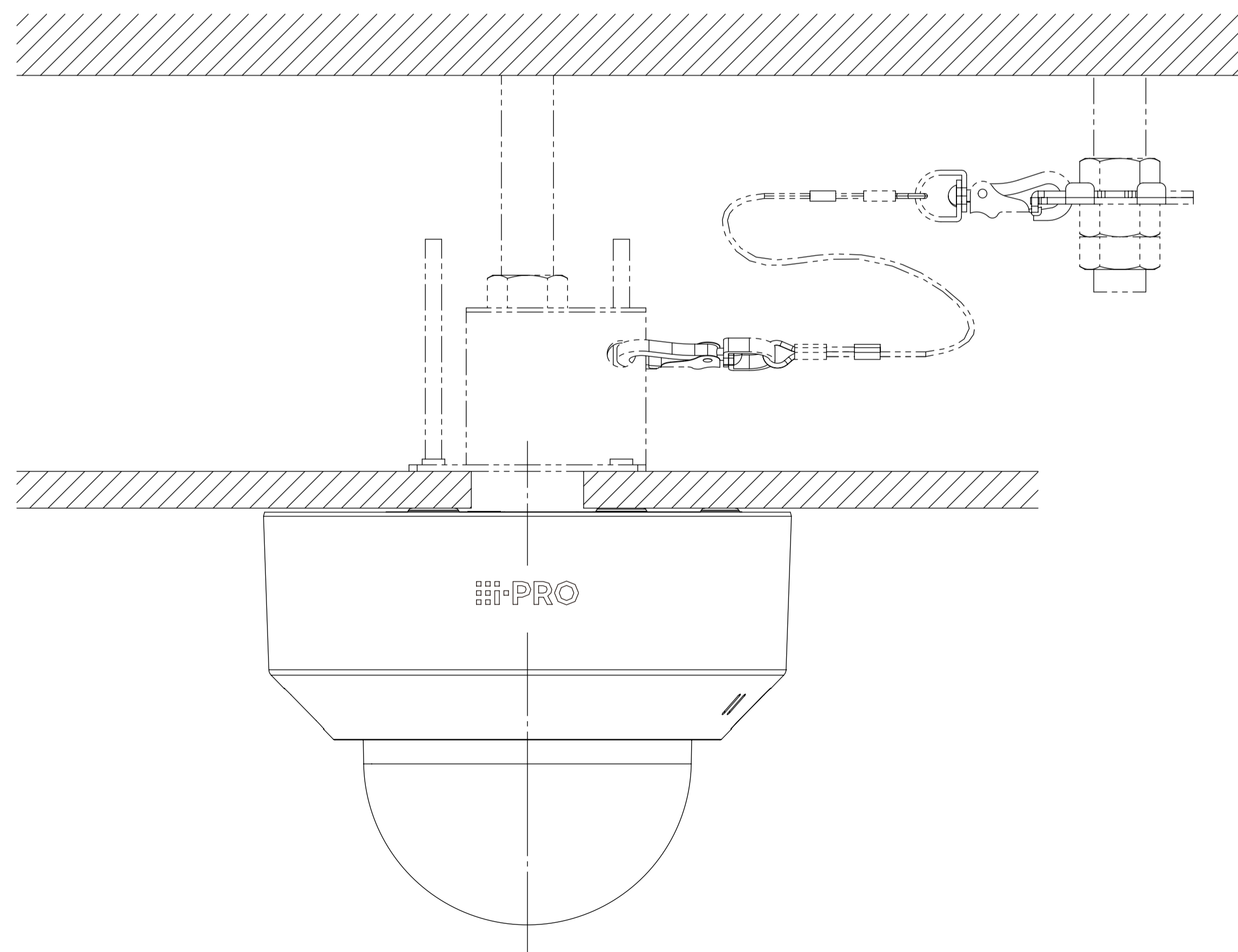
Template for mounting



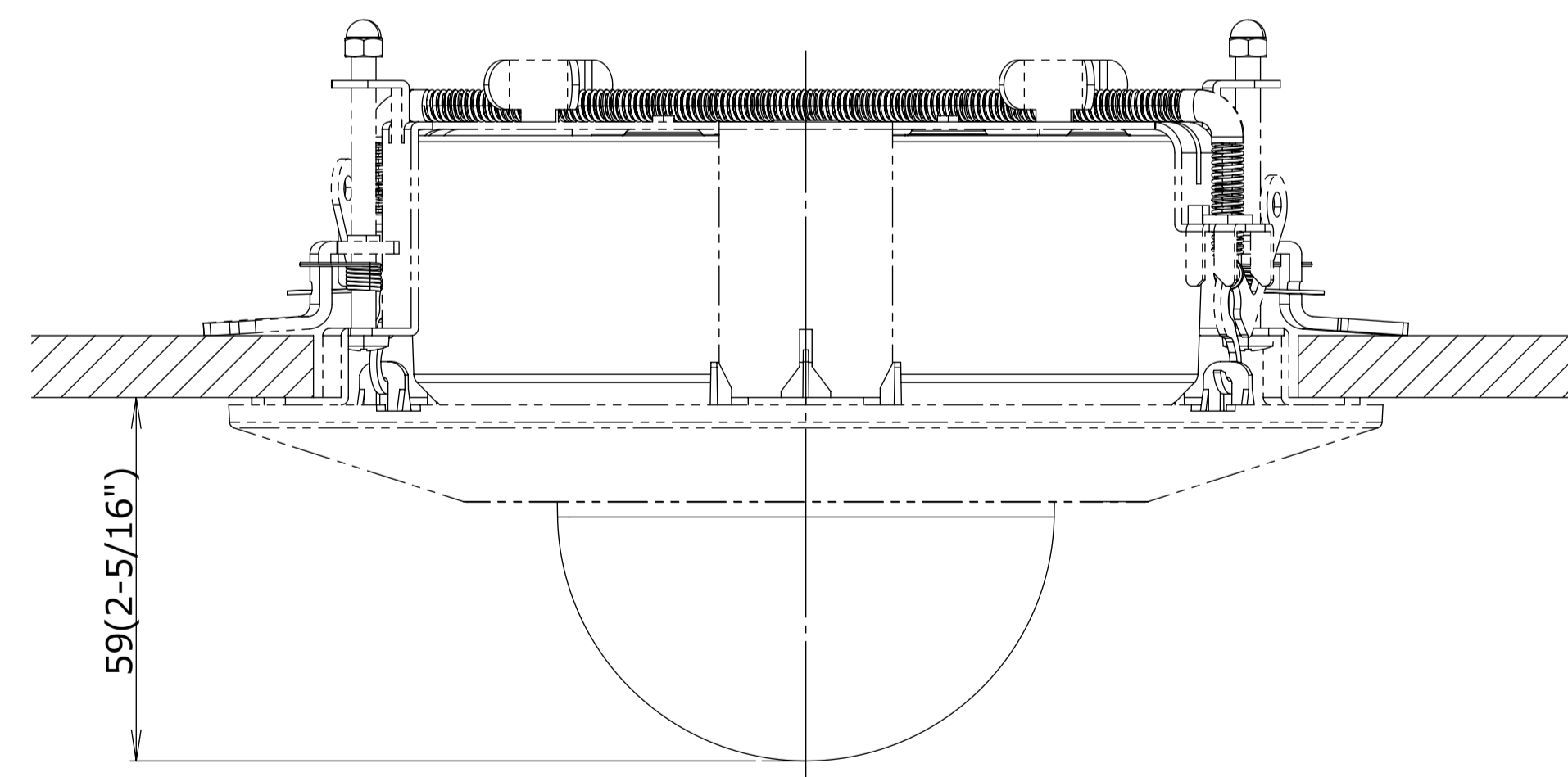
Attach to WV-QWL500\*\*



Attach to WV-QCL100\*\*



Attach to WV-Q105A\*\*



Attach to WV-QEM100\*\*

Unit:mm

