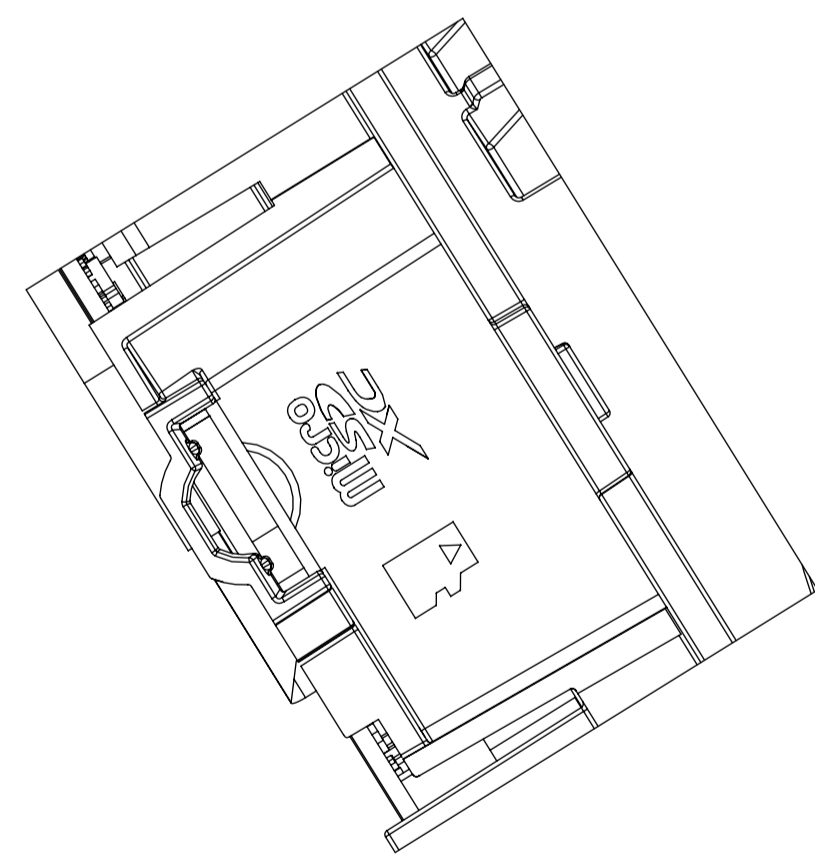
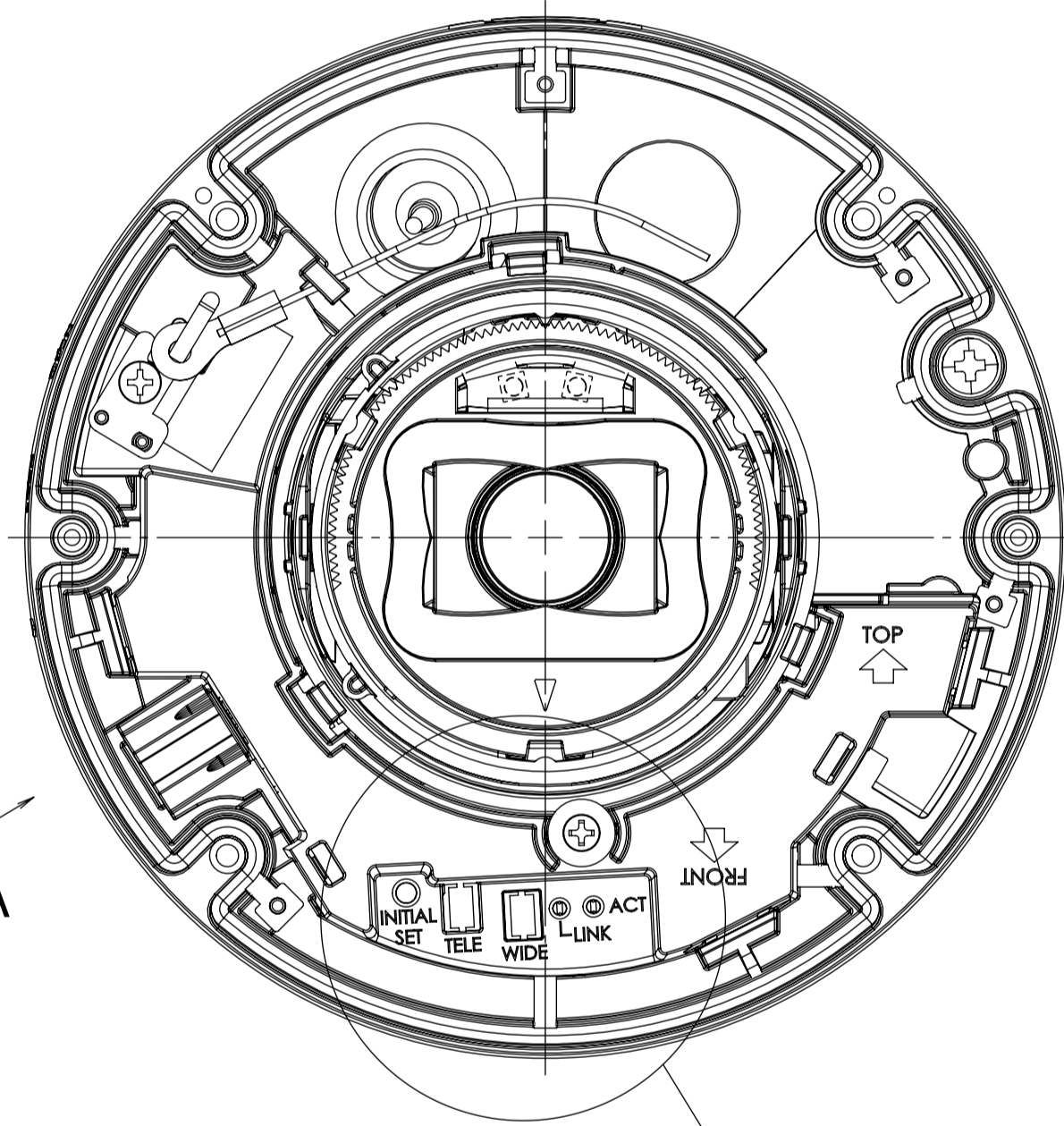
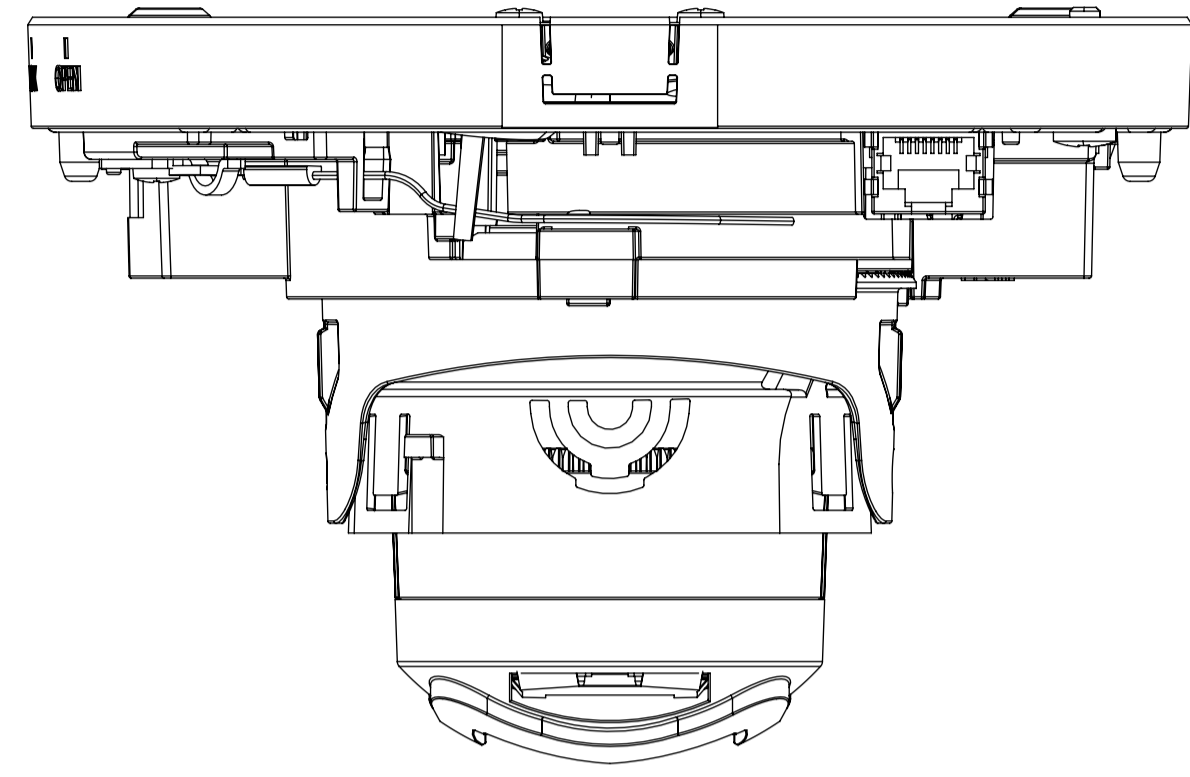


With attachment plate

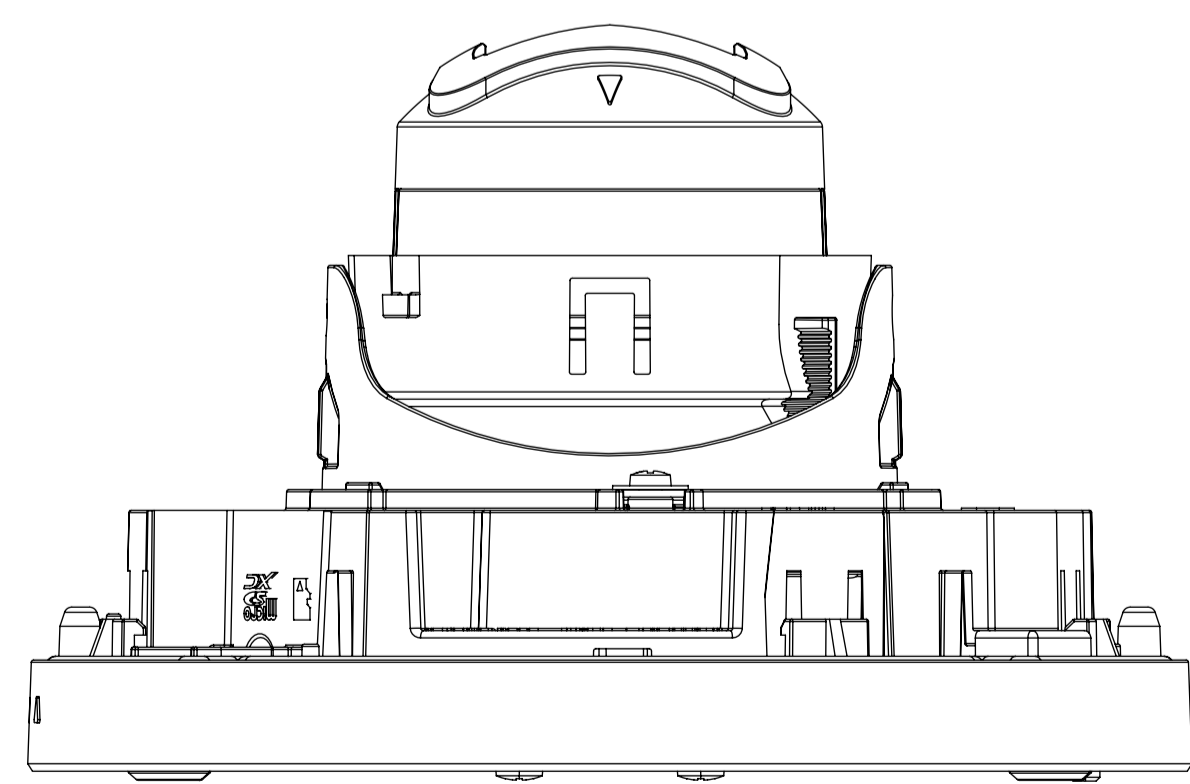
Unit:mm

侧面图/Side-view	投影面积/Projected area
	0.011(m <sup>2</sup> )

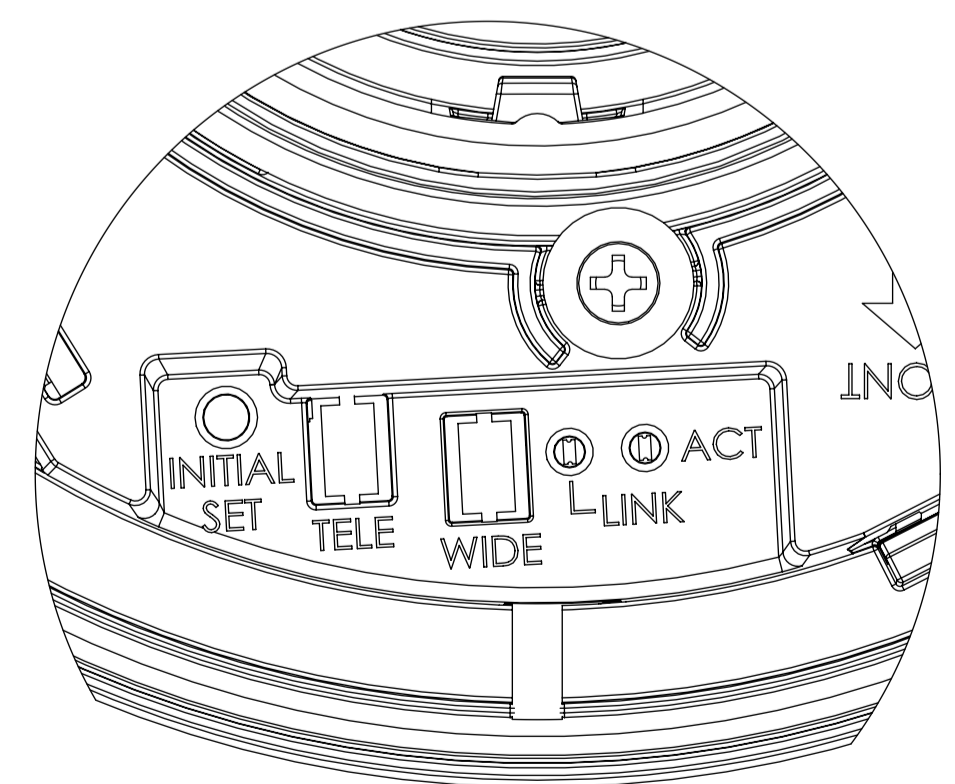
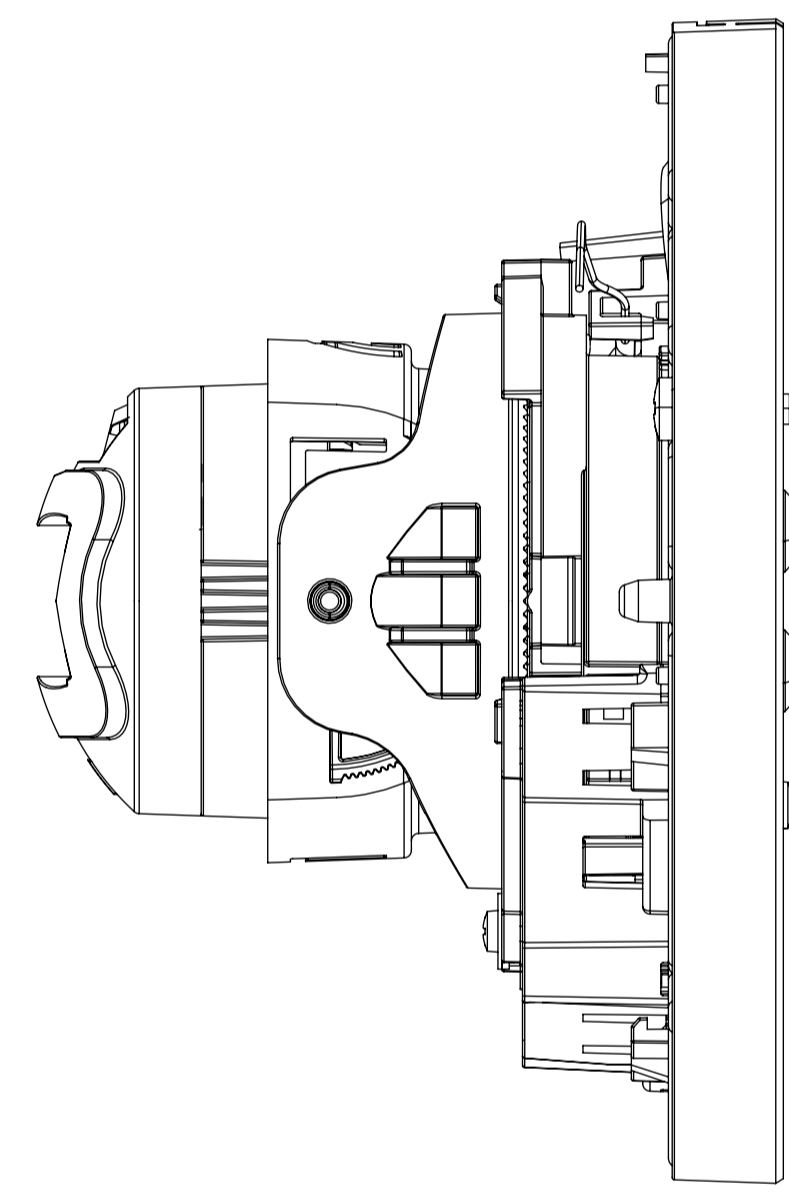
Mass : Approx. 1.0 kg {2.21 lbs}  
 (When using the attachment plate)



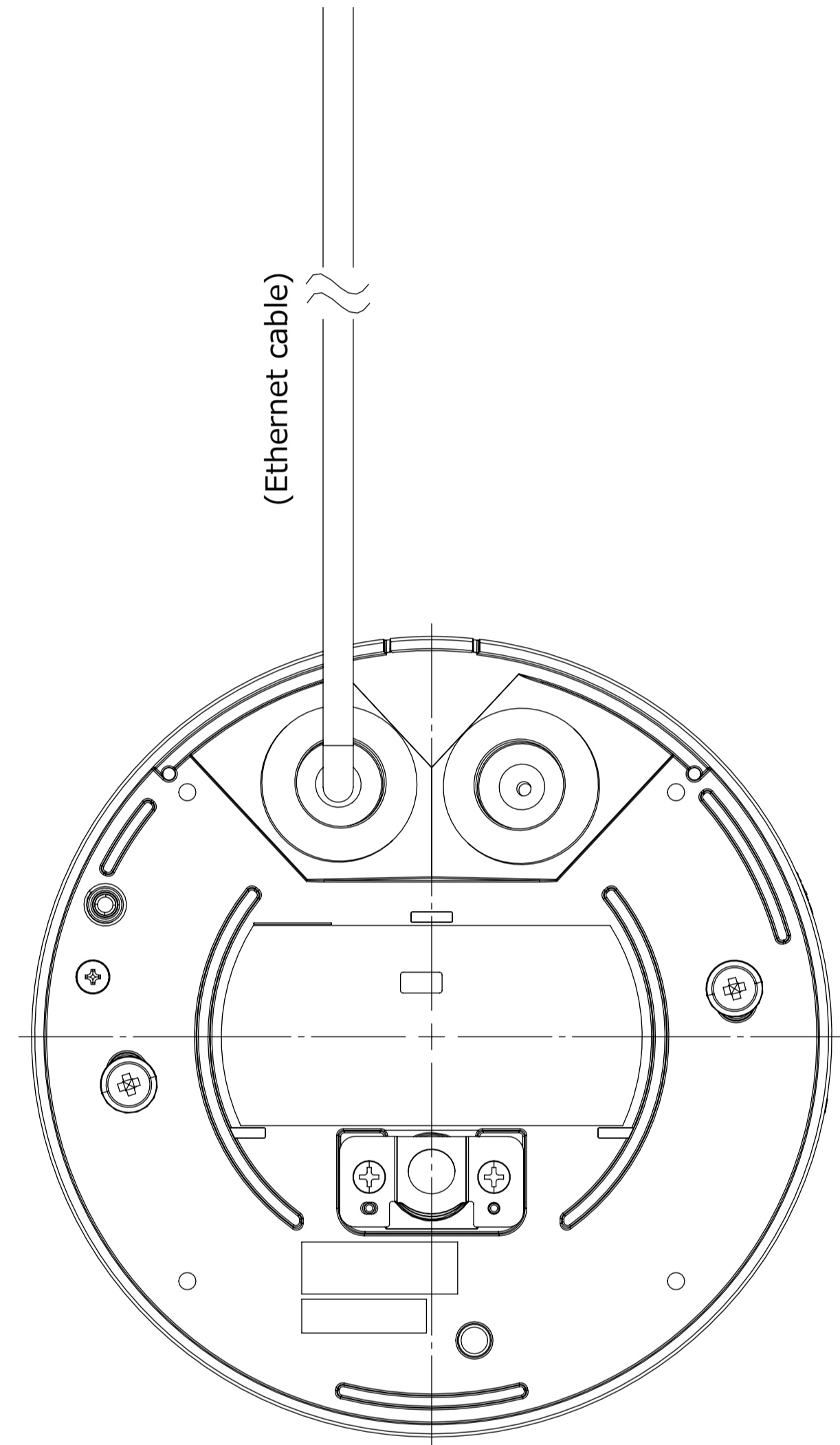
View A  
S=2 : 1



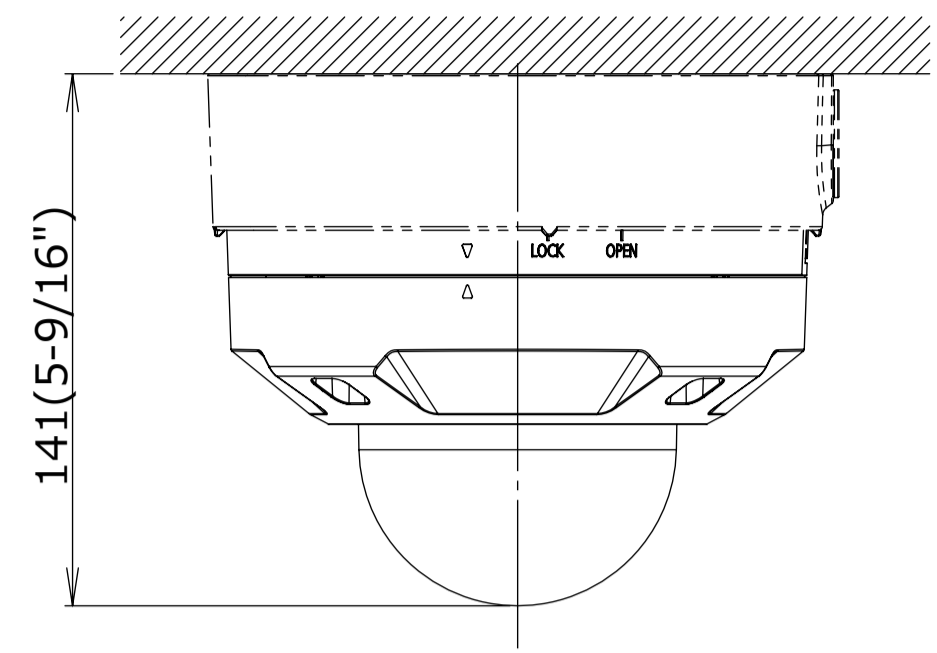
Without Enclosure



Detail B  
S=2 : 1

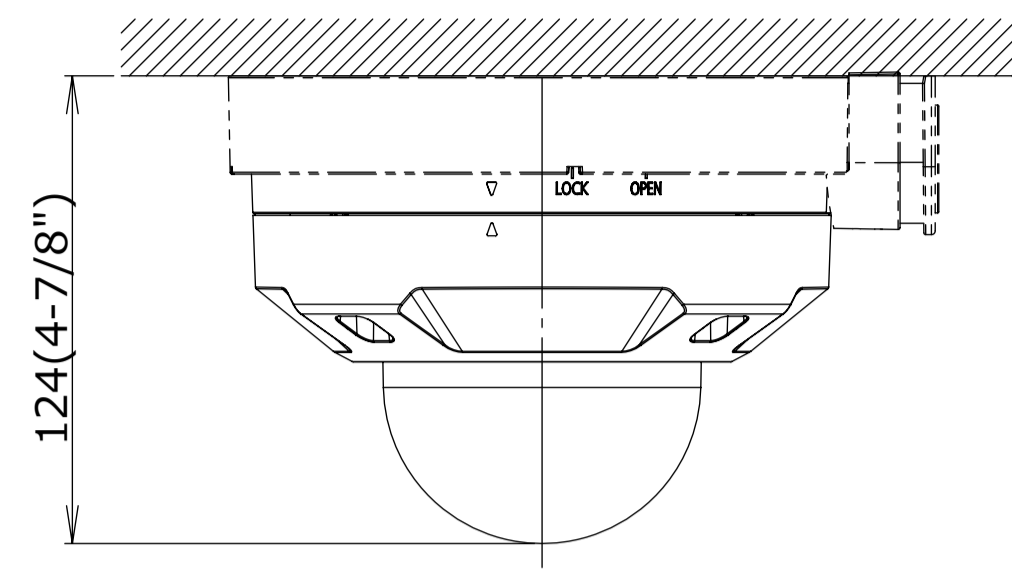


金具との組み合わせ例  
Example of combination with bracket



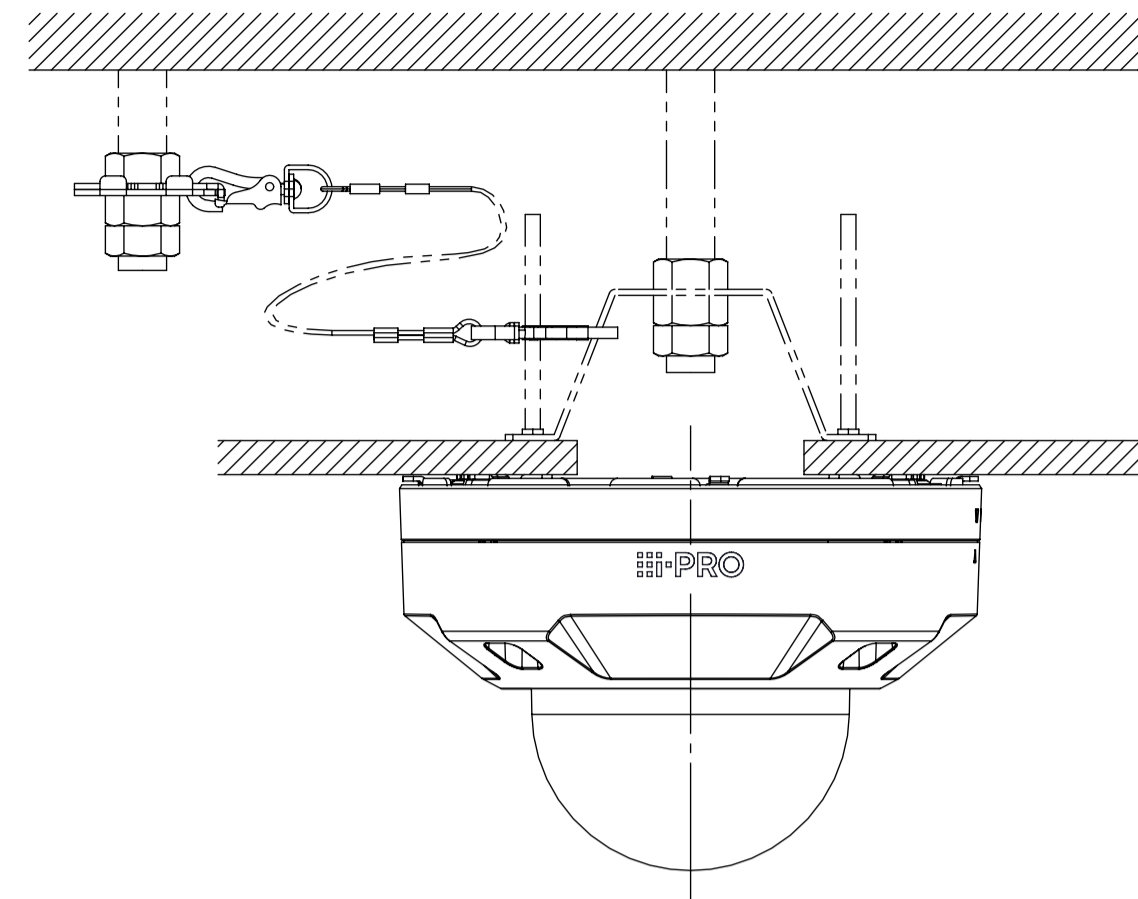
Attach to WV-QJB501\*\*

	投影面積/Projected area
側面図/Side-view	0.017(m2)

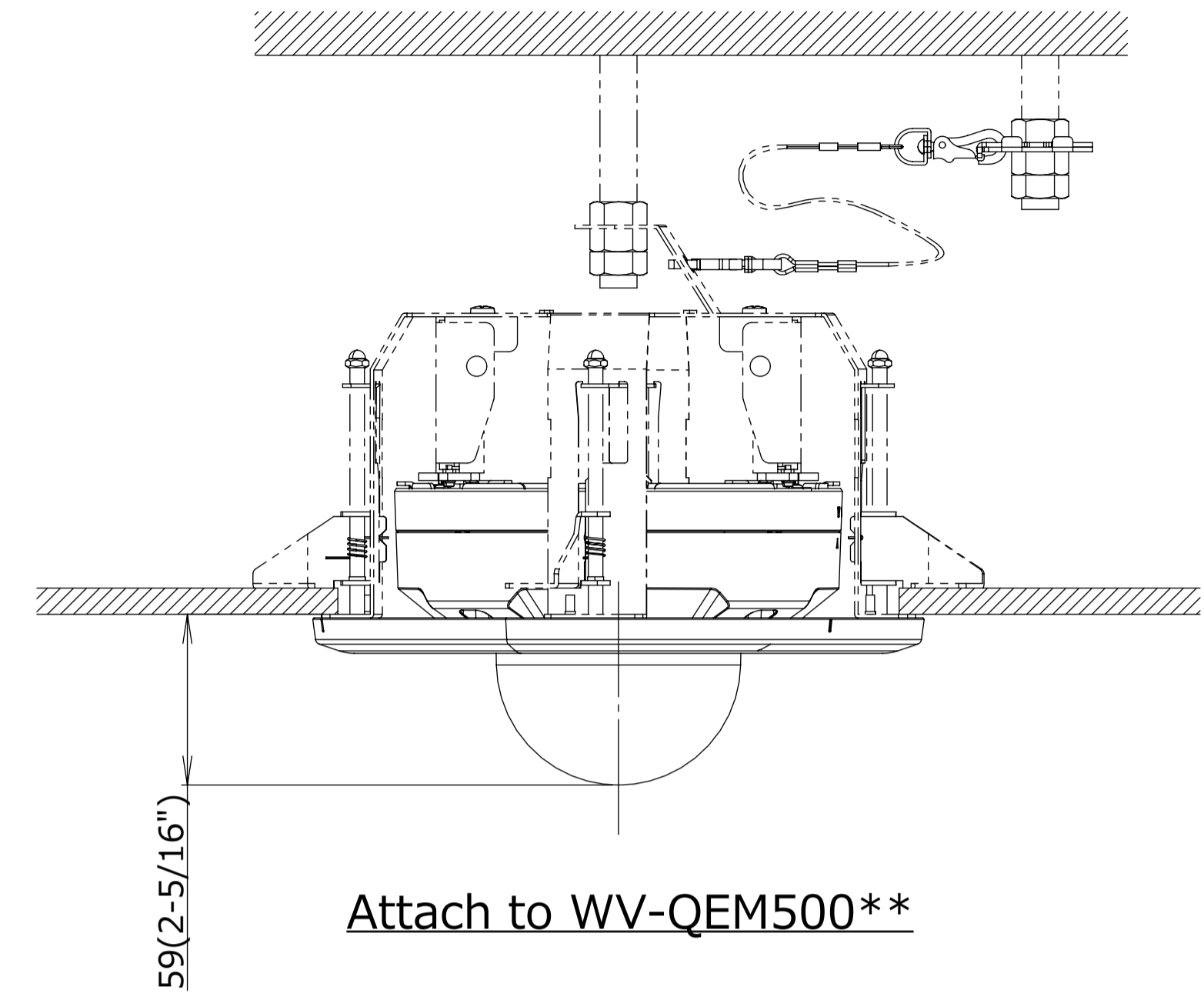


Attach to WV-QJB504\*\*

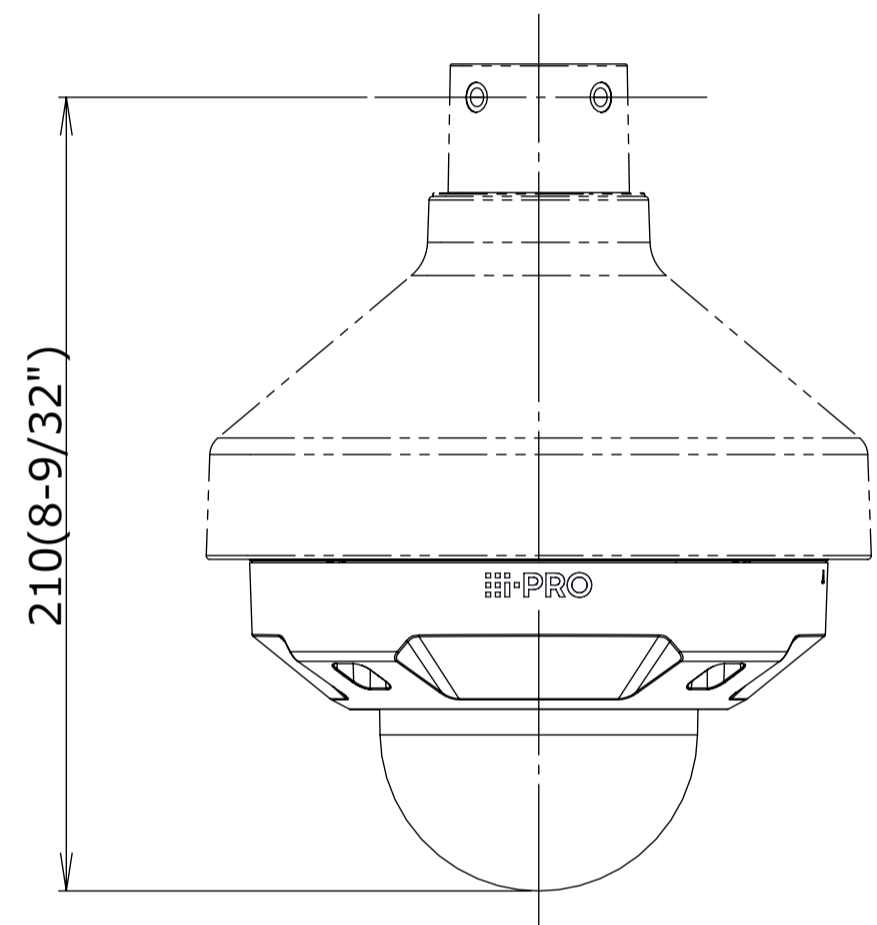
	投影面積/Projected area
正面図/Front-view	0.015(m2)
側面図/Side-view	0.016(m2)



Attach to WV-Q105A

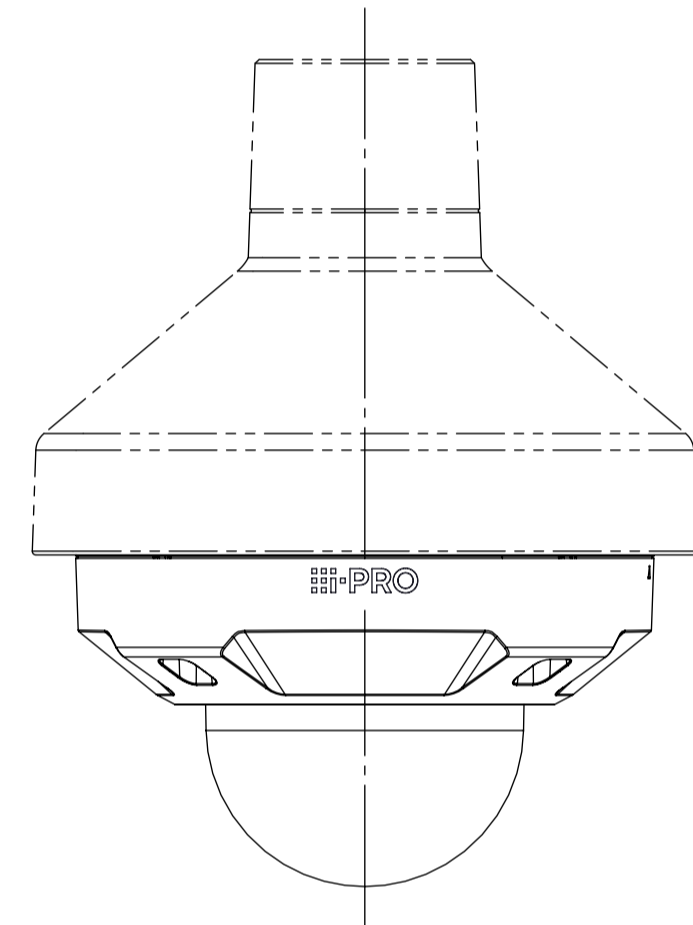


Attach to WV-QEM500\*\*



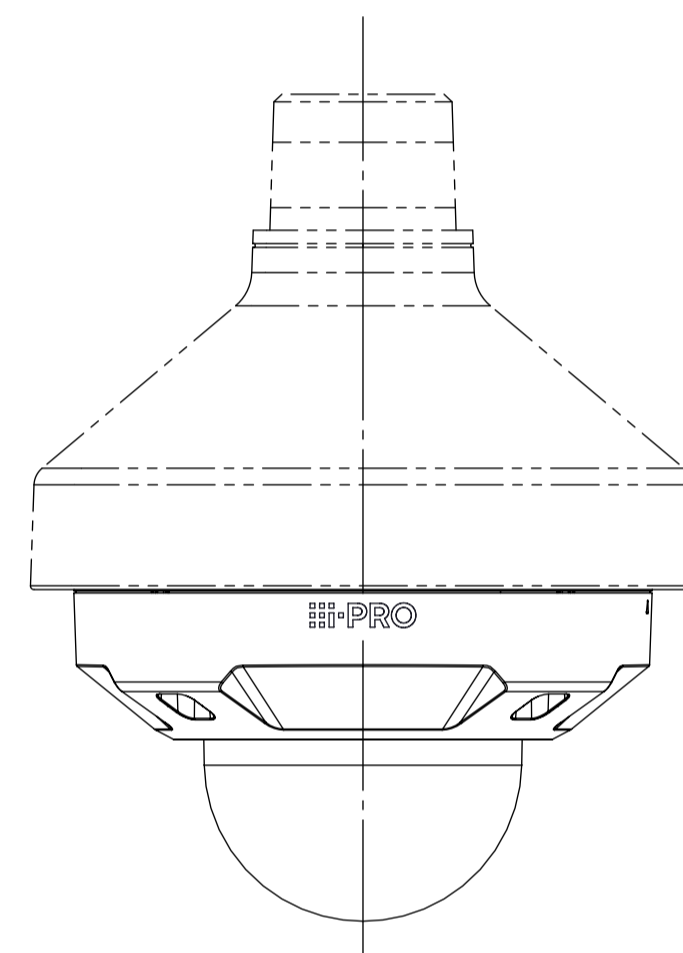
Attach to WV-QSR501\*\*

	投影面積/Projected area
側面図/Side-view (嵌合部除く) (Excluding the mating part)	0.021(m2)



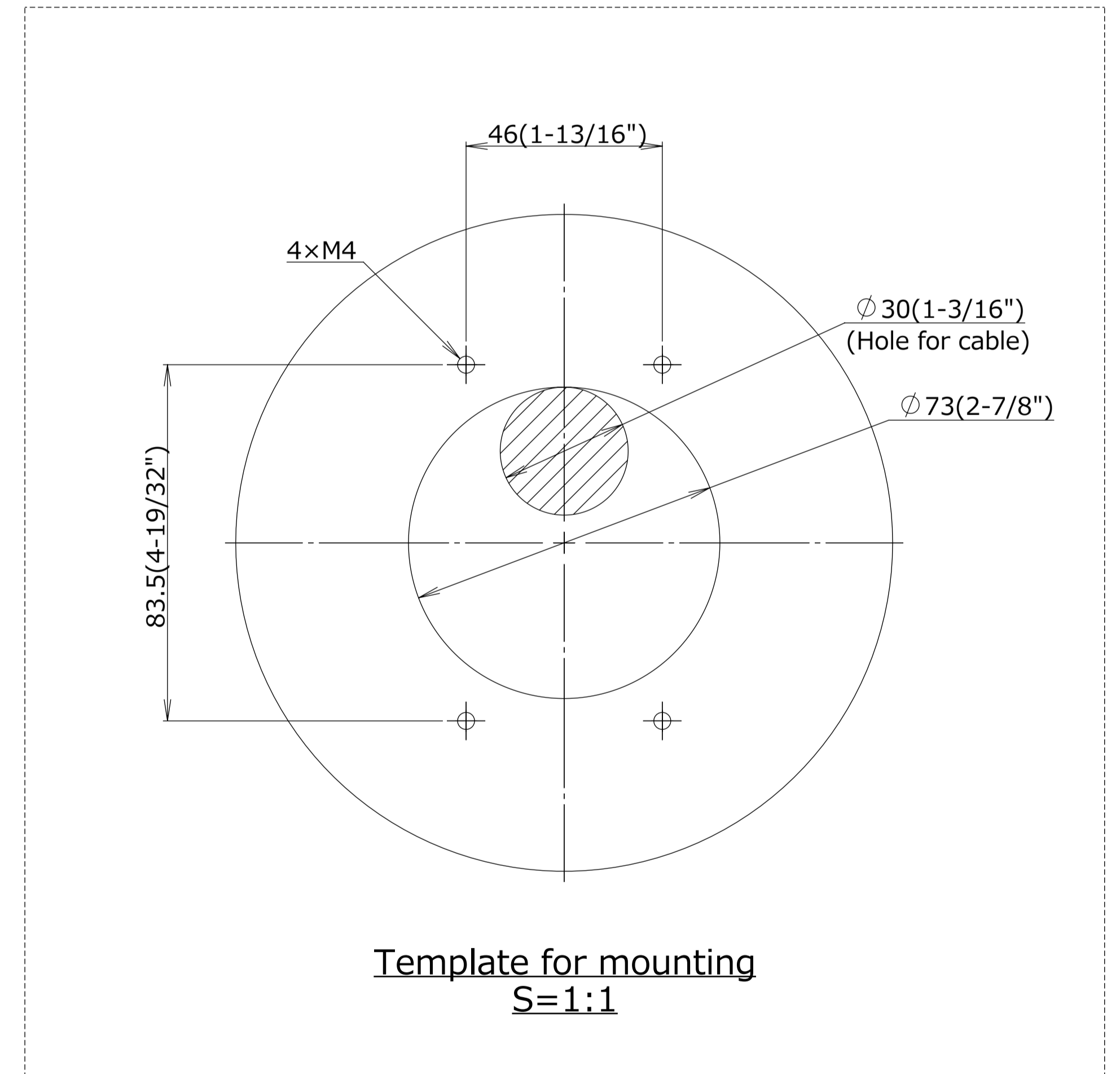
Attach to WV-QSR501F\*\*

	投影面積/Projected area
側面図/Side-view	0.023(m2)

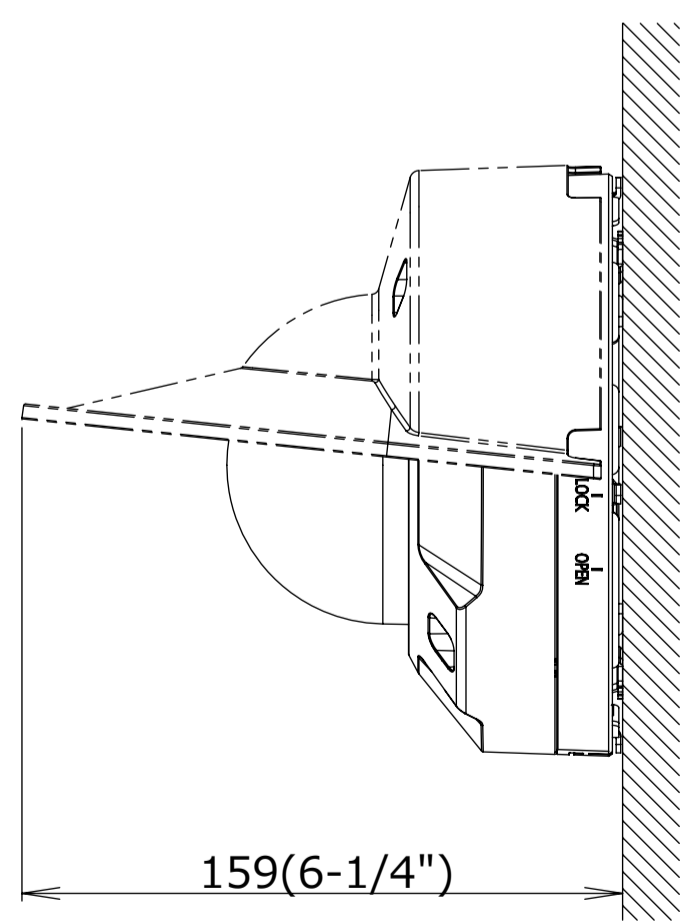


Attach to WV-QSR501M\*\*

	投影面積/Projected area
側面図/Side-view (嵌合部除く) (Excluding the mating part)	0.021(m2)

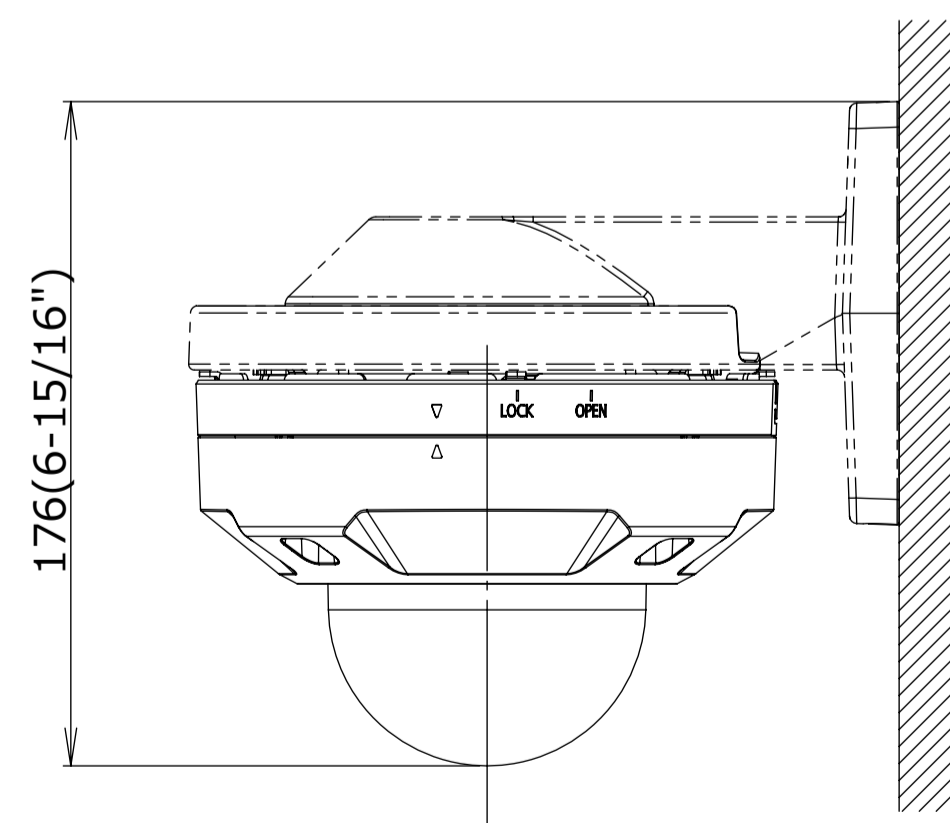


Template for mounting  
S=1:1



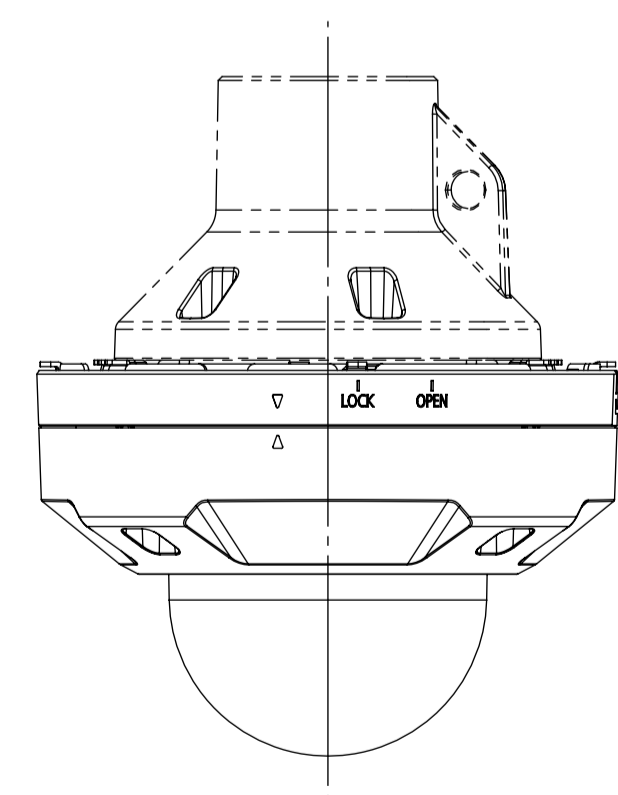
Attach to WV-QSR505\*\*

	投影面積/Projected area
側面図/Side-view	0.013(m2)



Attach to WV-QWL500\*\*

	投影面積/Projected area
側面図/Side-view	0.019(m2)



Attach to WV-QCL100\*\*

Unit:mm

