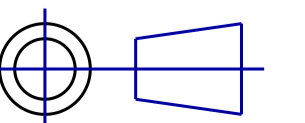


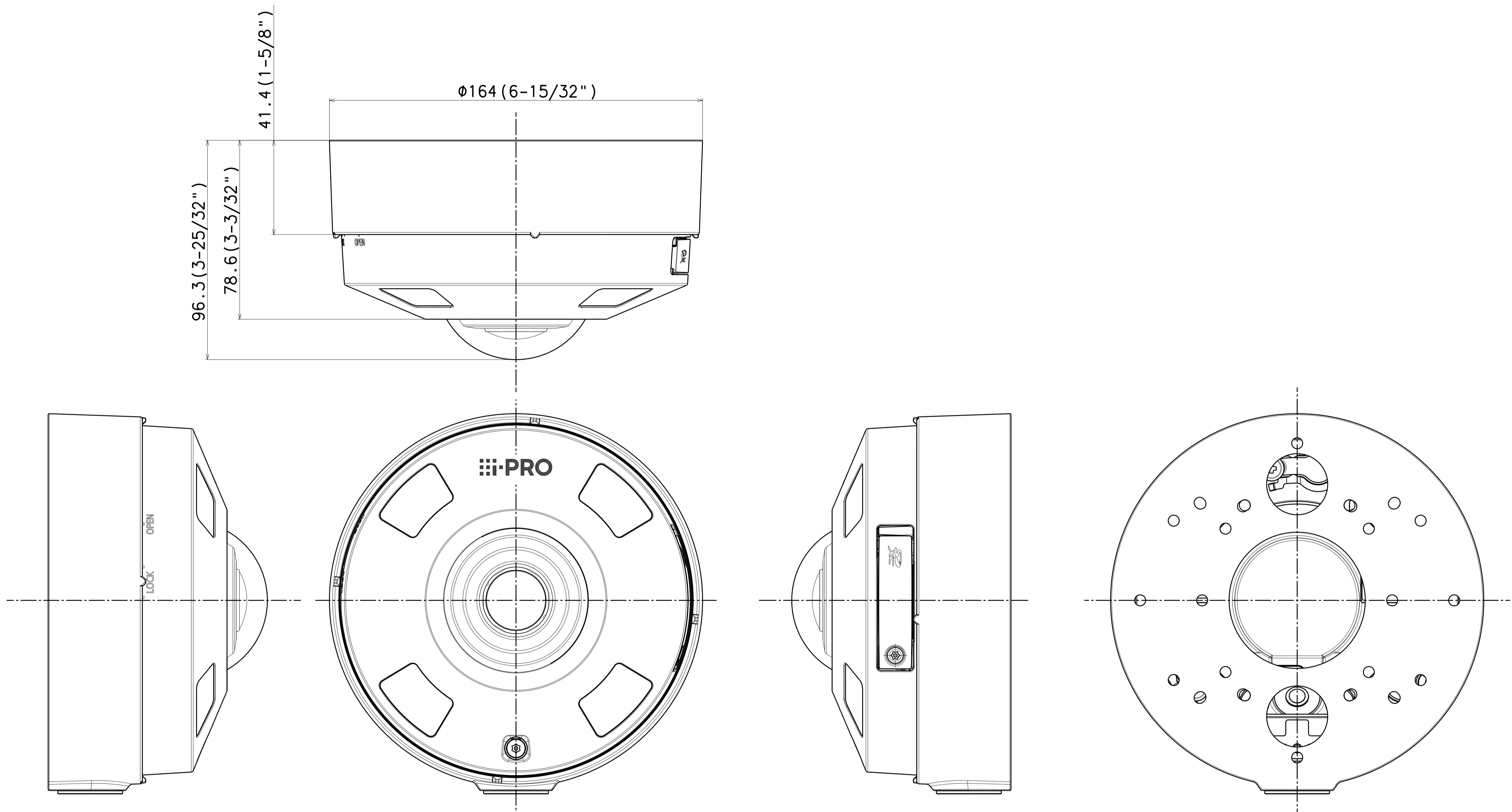
Model number
 WV-S4576LUX
 WV-S4576LAJ
 WV-X4576LSJ

	投影面積/Projected area
側面図/Side-view	0.007 (m ²)

Mass : Approx. 880 g {1.94 lbs} (When using the attachment plate)

Unit:mm





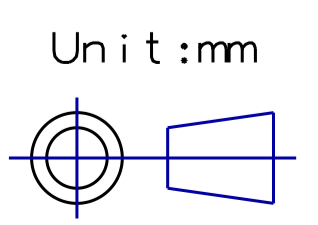
With Base bracket

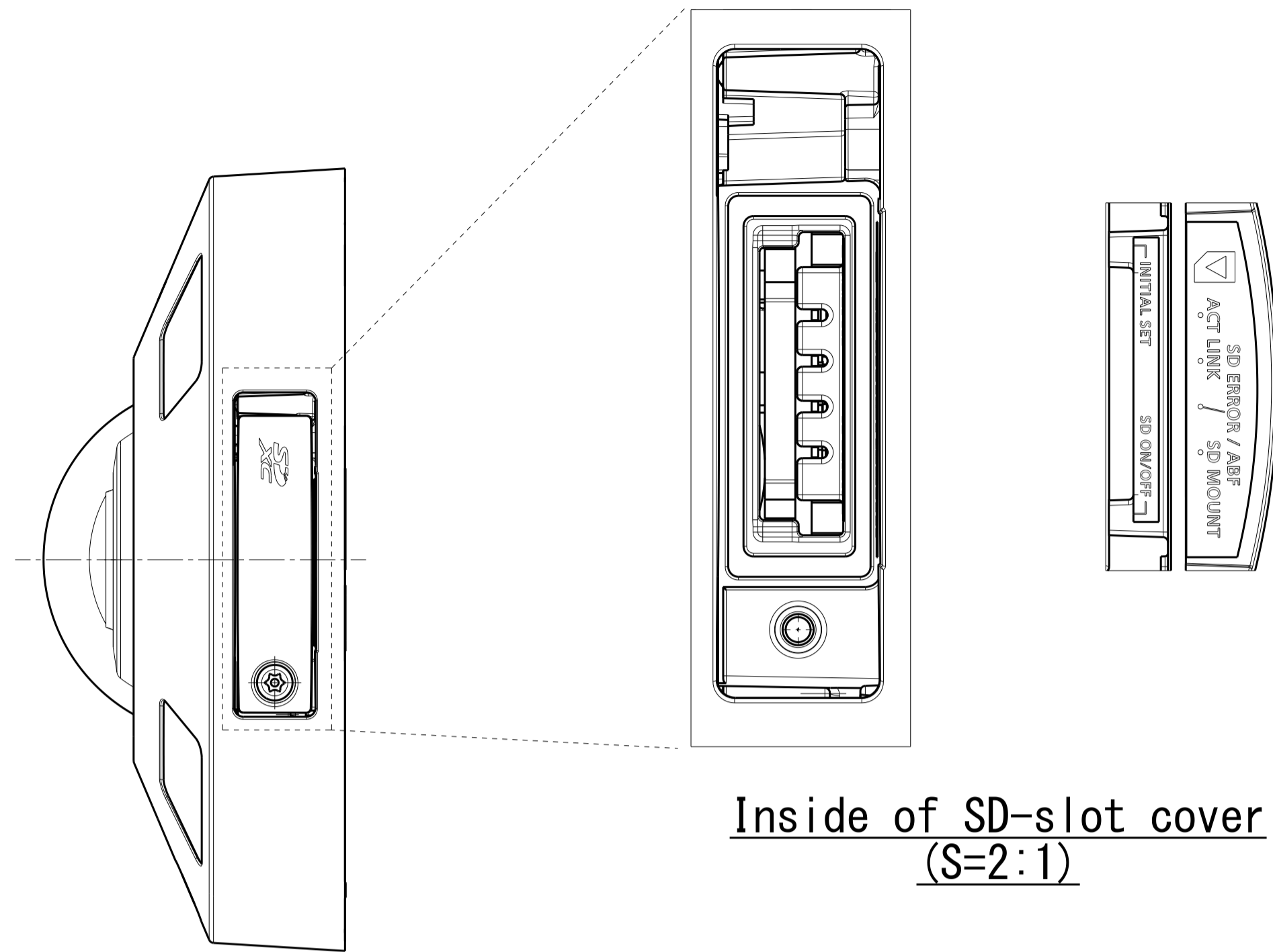
接続管用のねじ
 CTG22 または G3/4
 Female thread for conduit
 NPSM3/4 or G3/4

Model number
 WV-S4576LUX
 WV-S4576LAJ
 WV-X4576LSJ

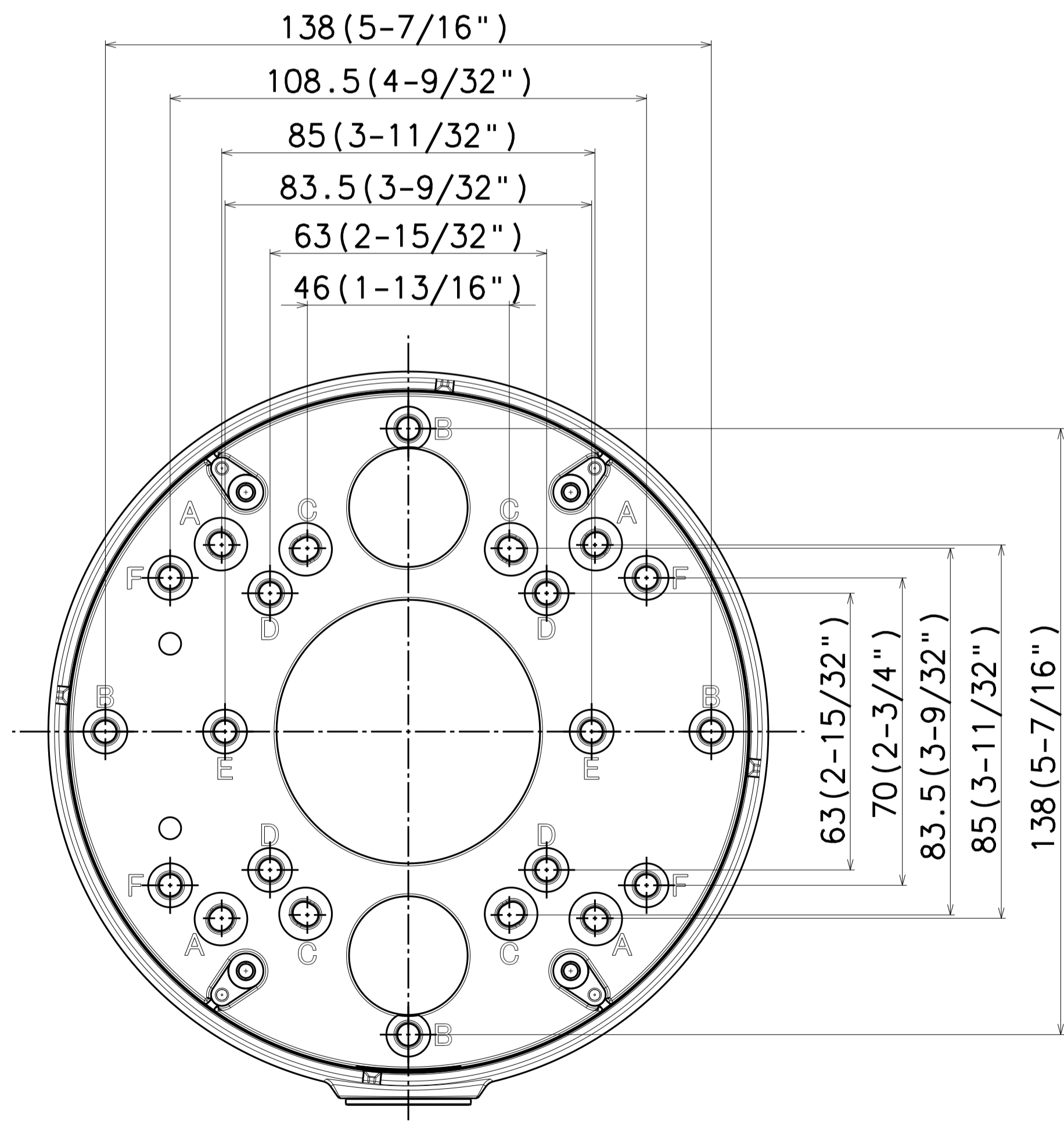
	投影面積/Projected area (With Base Bracket)
側面図/Side-view	0.013 (m2)

Mass : Approx. 1.3 kg {2.87 lbs} (When using the mounting base bracket)

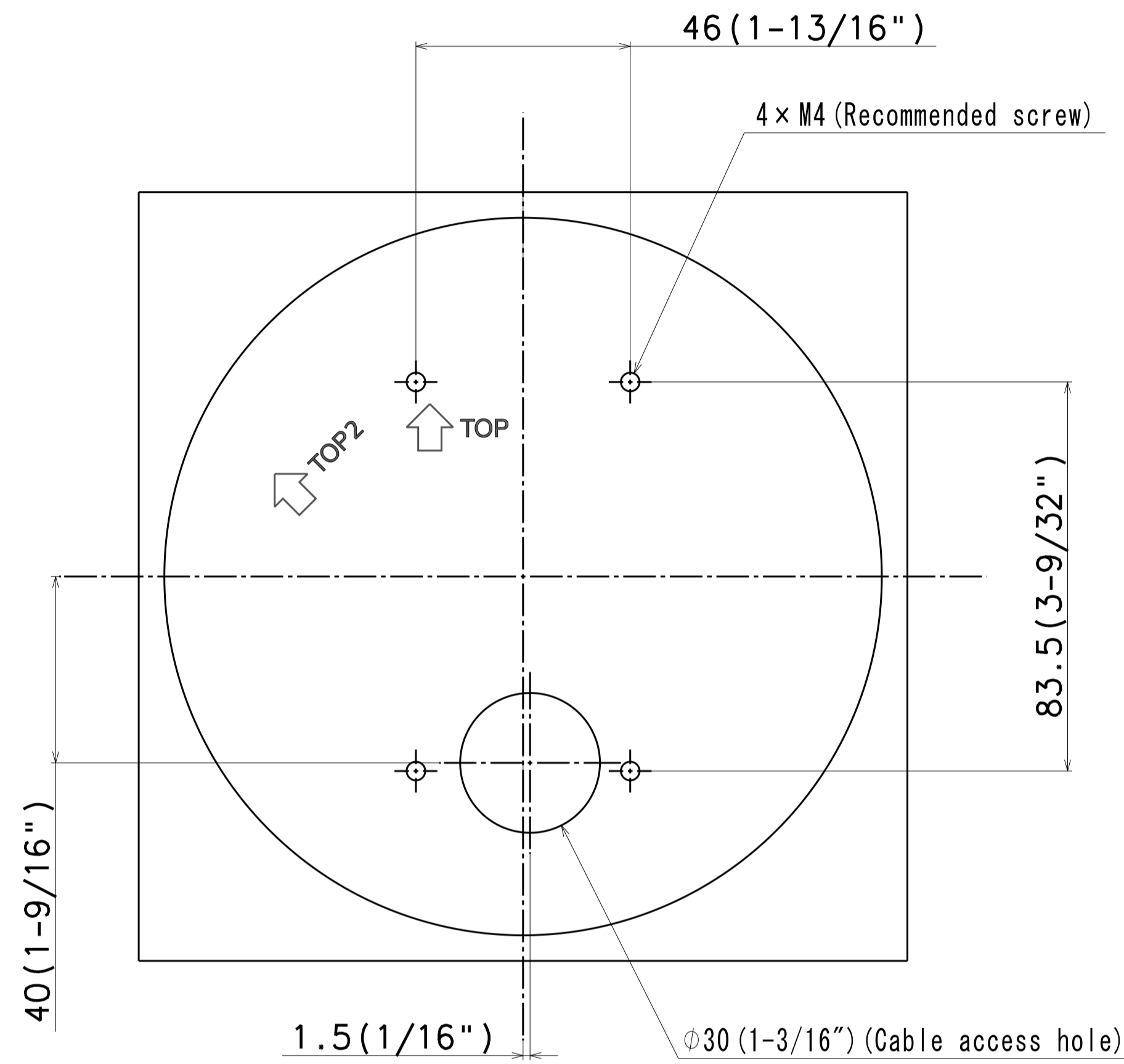




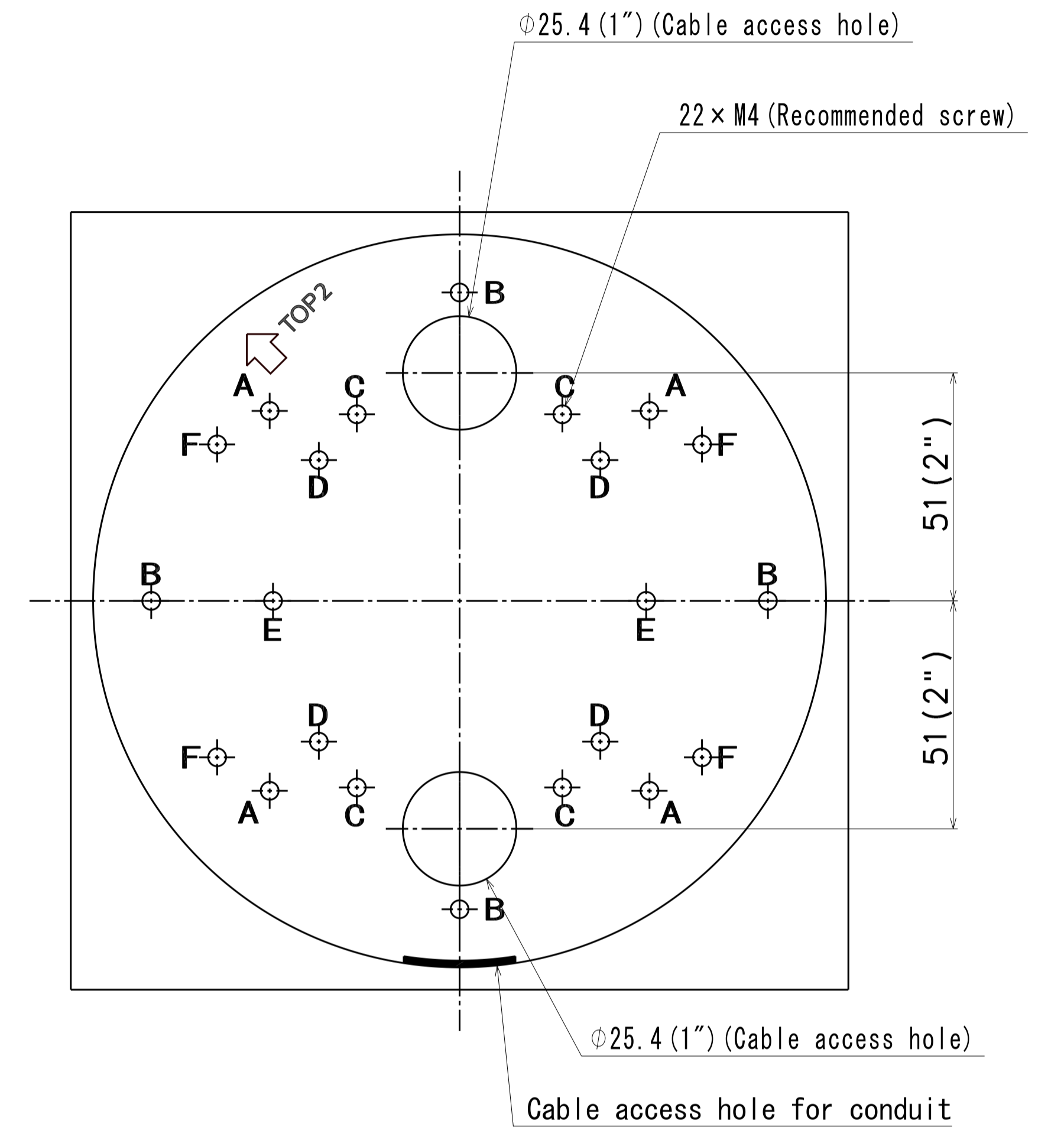
Inside of SD-slot cover
(S=2:1)



Mounting hole layout



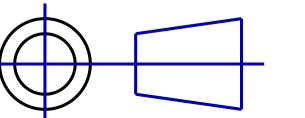
Template for mounting



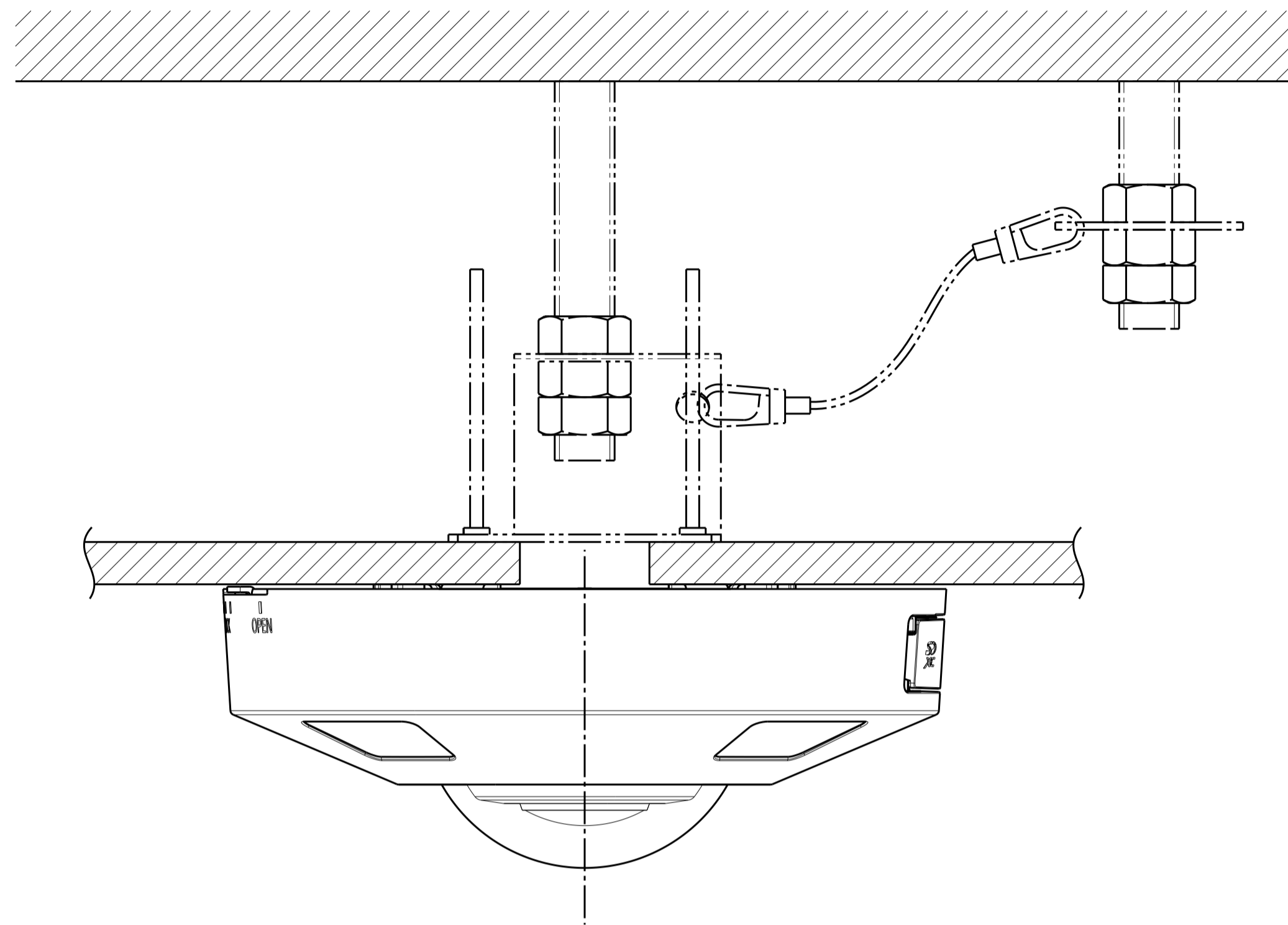
Mounting hole layout

Model number
WV-S4576LUX
WV-S4576LAJ
WV-X4576LSJ

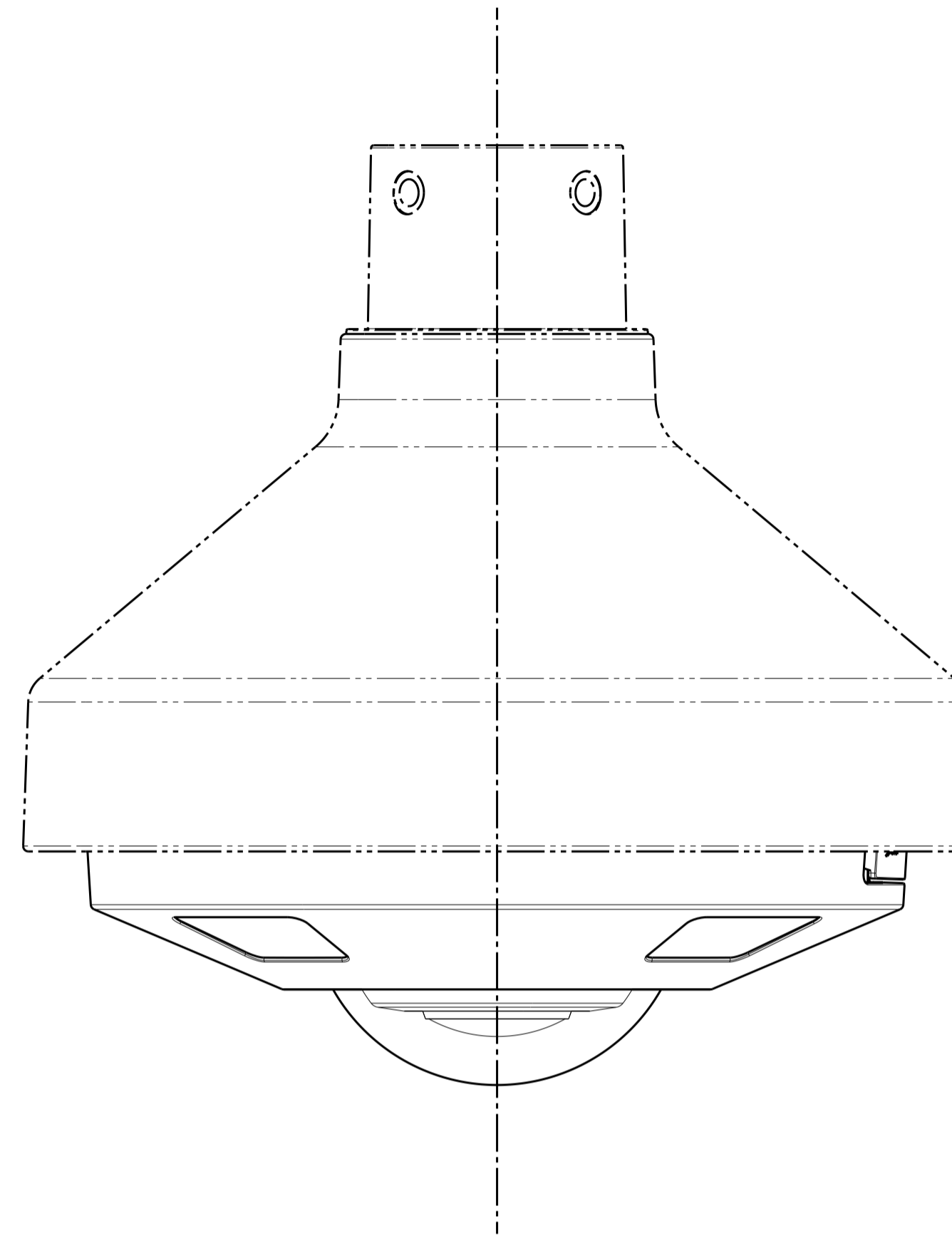
Unit:mm



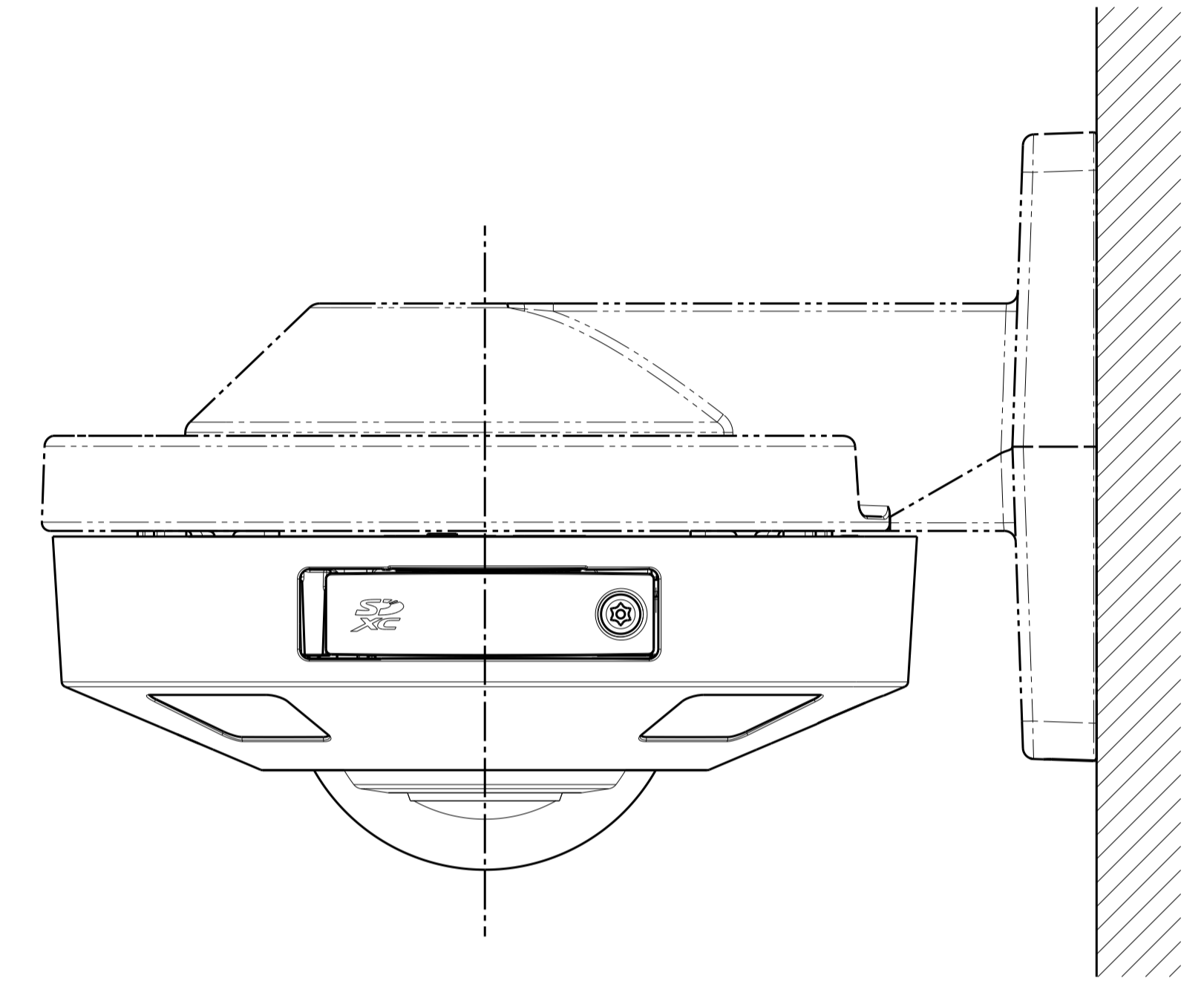
金具との組み合わせ例
Example of combination with bracket



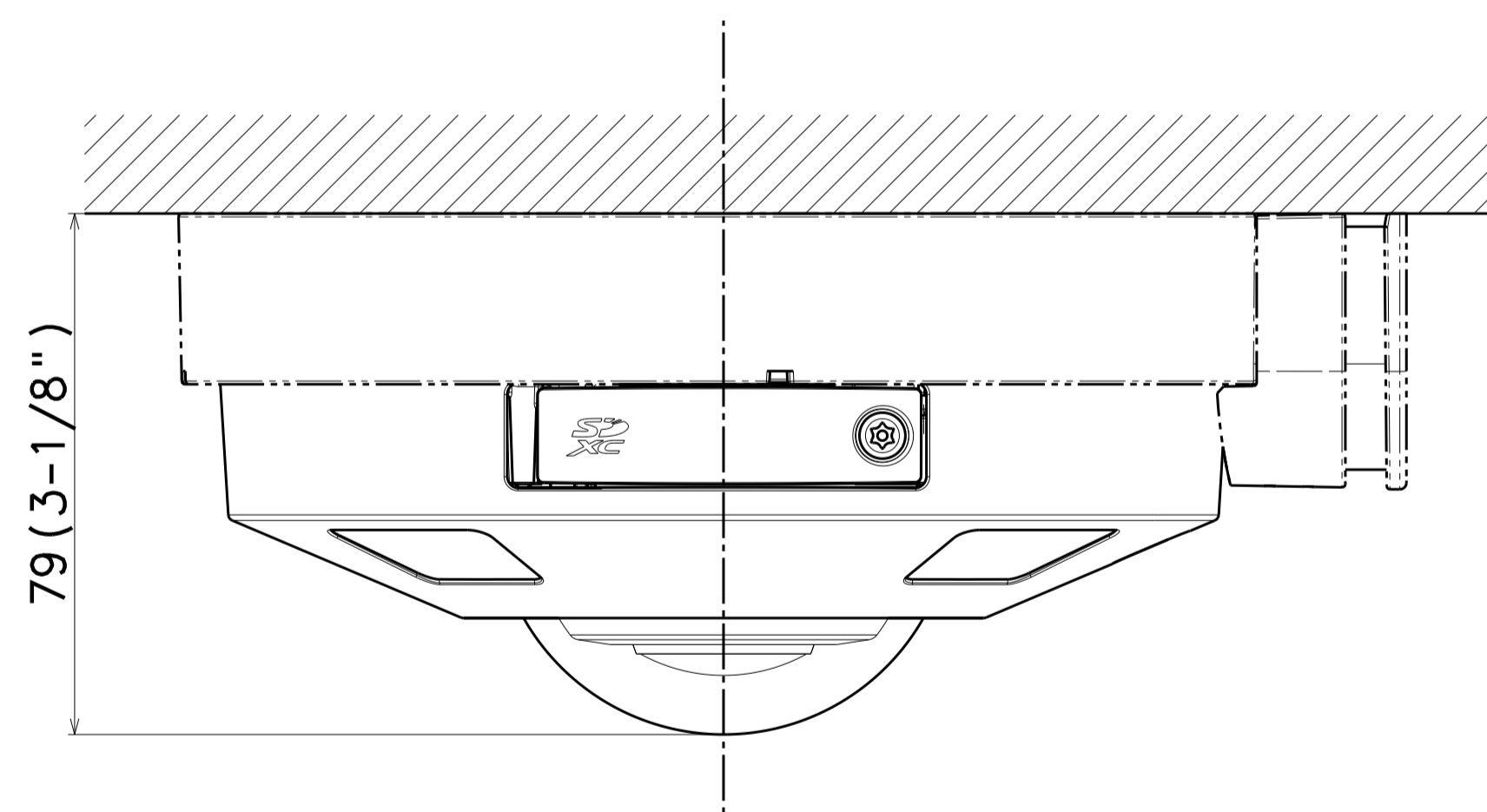
Attach to WV-Q105AUX



Attach to WV-QSR501-WUX



Attach to WV-QWL500-WUX



Attach to WV-QJB504-W

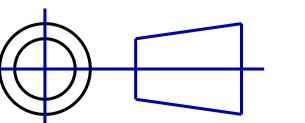
	投影面積/Projected area
正面図/Front-view	0.010 (m ²)
側面図/Side-view	0.011 (m ²)

	投影面積/Projected area
側面図/Side-view	0.016 (m ²)

	投影面積/Projected area
側面図/Side-view	0.014 (m ²)

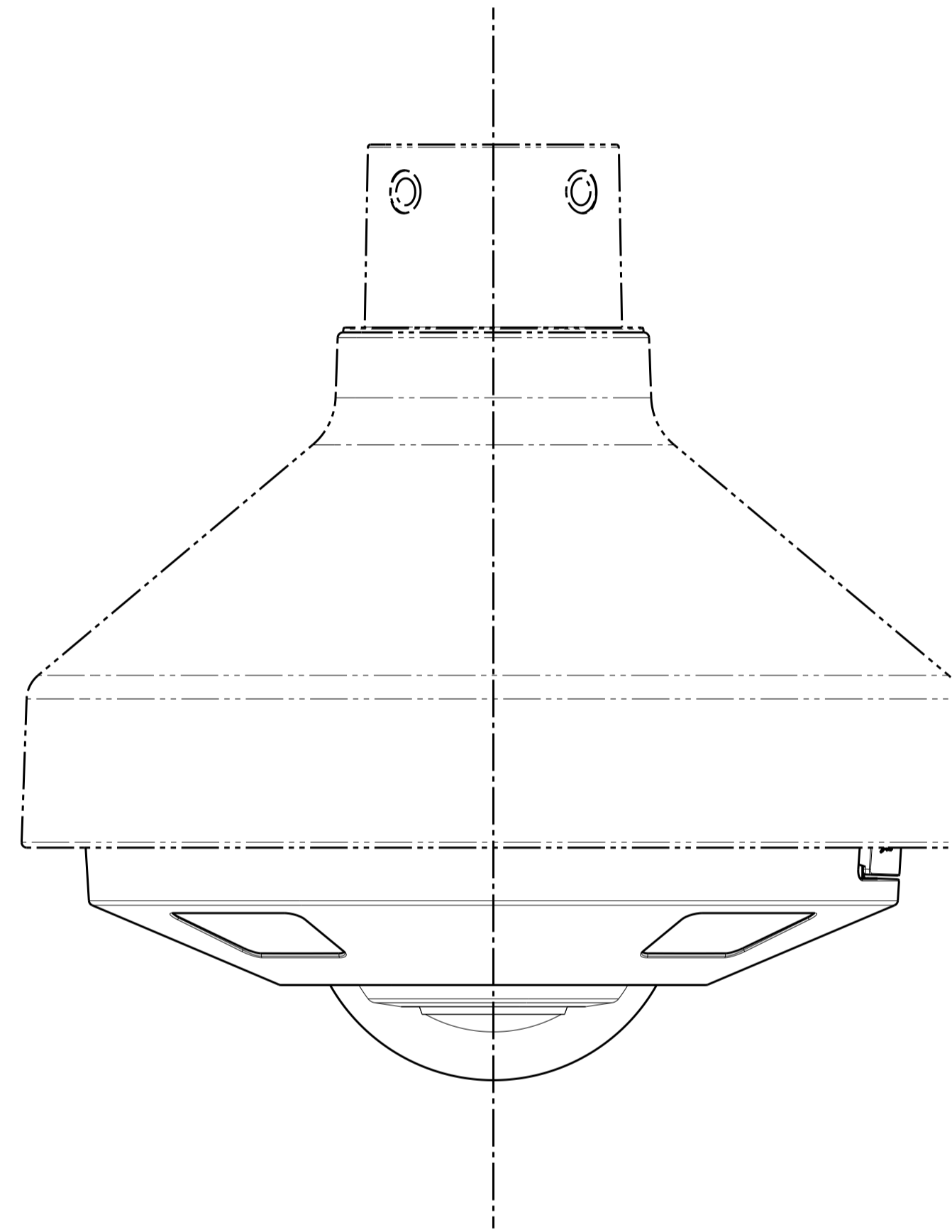
Model number
WV-S4576LUX
WV-S4576LAJ

Unit:mm



金具との組み合わせ例
Example of combination with bracket

耐重塩害モデル
Heavy salt damage version



Attach to WV-QSR501S-W

	投影面積/Projected area
側面図/Side-view	0.016 (m ²)

Model number
WV-X4576LSJ

Unit:mm

