

WV-X6533LNS

2MP (1080p) 40x IR PTZ Network Camera with Heavy Salt Damage Resistance

i-PRO Extreme H.265 IR-PTZ camera

The WV-X6533LNS IR-PTZ camera has a powerful 40x optical zoom with infrared light (LED), plus a built in imaging stabilizer enabling Pan/Tilt 360 degree video surveillance up to 350 m under total darkness.



- Full-HD 1920x1080 up to 60fps
- iA (intelligent Auto)
- Long distance IR illumination
- Color night vision (0.001 to 0.015 lx)
- Intelligent Zoom Stabilization with 40x optical zoom
- ClearSight Coating
- Durable Pan/Tilt gear mechanism
- Heavy salt damage resistance specifications (ISO 14993 compliant)
- IP66, IK10 certified, Defroster
- i-VMD License Bundled
- NDAA Compliant

Precautions for heavy salt damage resistance



SPECIFICATIONS

| Camera | |
|------------------------------|--|
| Image Sensor | Approx. 1/2.8 type CMOS image sensor |
| Minimum Illumination | Color : 0.015 lx, BW : 0.006 lx (F1.6, Maximum shutter : Off (1/30s), AGC : 11) BW : 0 lx (F1.6, Maximum shutter : Off (1/30 s), AGC : 11, when the IR LED is lit) Color : 0.001 lx, BW : 0.0004 lx (F1.6, Maximum shutter : max. 16/30s, AGC : 11) |
| Intelligent Auto | On / Off |
| Shutter Speed | 1/30 Fix to 1/10000 Fix *1/30 Fix to 2/120 Fix is available during 30 fps mode only. *1/60 Fix is available during 60 fps mode only. |
| Super Dynamic | On / Off, The level can be set in the range of 0 to 31. |
| Dynamic Range | Max.144 dB (Super Dynamic : On) |
| Image Settings | Gain (AGC), White balance |
| Image Compensation | Adaptive black stretch, Back light compensation (BLC), Fog compensation, High light compensation (HLC), Digital noise reduction |
| Color/BW (ICR) | Off / On (IR Light Off) / On (IR Light On) / Auto1 (IR Light Off) / Auto2 (IR Light On) |
| IR LED Light | High / Middle / Low / Off Maximum irradiation distance 350 m {approx. 1150 ft} (AC 24 V/ Tested PoE injector) 150 m {approx. 500 ft} (PoE+ device) |
| Video Motion Detection (VMD) | On / Off, 4 areas available |
| Intelligent VMD (i-VMD) | Type4 *Bundled License |
| Stabilizer | On / Off (available only in the 30 fps mode) |
| Privacy Zone | Filling / Pixelate / Off (up to 32 zones available) |
| Camera Title (OSD) | On / Off, Up to 20 characters (alphanumeric characters, marks) |
| Lens | |
| Zoom Ratio | 40 x Optical zoom (Motorized zoom / Motorized focus) 60x HD Extra Optical Zoom (when resolution is 1280x720) |
| Digital (Electronic) Zoom | 16 x |
| Focal Length | 4.25 mm – 170 mm {5/32 inches – 6-11/16 inches} |
| Maximum Aperture Ratio | 1 : 1.6 (WIDE) – 1 : 4.95 (TELE) |
| Focus Range | 3.0 m {9 ft 10-1/8 inches} – ∞ |
| Angular Field of View | [16 : 9 mode] Horizontal : 1.9 ° (TELE) – 66 ° (WIDE) Vertical : 1.1 ° (TELE) – 39 ° (WIDE) [4 : 3 mode] Horizontal : 1.4 ° (TELE) – 51 ° (WIDE) Vertical : 1.1 ° (TELE) – 39 ° (WIDE) |
| DORI | |
| Detect (25ppm / 8ppf) | Wide: 85.9 m / 281.7 ft, Tele: 3,352.5 m / 10,998.9 ft |
| Observe (62.5ppm / 19ppf) | Wide: 34.3 m / 112.7 ft, Tele: 1,341.0 m / 4,399.5 ft |
| Recognize (125ppm / 38ppf) | Wide: 17.2 m / 56.3 ft, Tele: 670.5 m / 2,199.8 ft |

| | |
|---------------------------|---|
| Identify (250ppm / 76ppf) | Wide: 8.6 m / 28.2 ft, Tele: 335.2 m / 1,099.9 ft |
|---------------------------|---|

Pan/tilt

| | |
|------------------|--|
| Panning Range | 360° Endless panning |
| Panning Speed | Manual : Approx. 0.065°/s – 150°/s Preset : Up to approx. 300°/s |
| Tilting Range | Operational range : -30° – +210° Recommended range*4 : 0° – 180° |
| Tilting Speed | Manual : Approx. 0.065°/s – 150°/s Preset : Up to approx. 300°/s |
| Preset Positions | 256 positions |
| Auto Mode | Auto track / Auto pan / Preset sequence / Patrol |
| Self Return | 10 s / 20 s / 30 s / 1 min / 2 min / 3 min / 5 min / 10 min / 20 min / 30 min / 60 min |

Browser GUI

| | |
|---------------------------|--|
| Camera Control | Pan/Tilt, Zoom, Focus, Auto mode, Brightness, Preset, AUX, Rec. on SD, Log, Viewer software |
| Audio | Mic (Line) Input : On / Off Volume adjustment : Low / Middle / High Audio Output : On / Off Volume adjustment : Low / Middle / High |
| GUI / Setup Menu Language | English, Italian, French, German, Spanish, Portuguese, Russian, Chinese, Japanese |

Network

| | |
|--|---|
| Network IF | 10Base-T / 100Base-TX, RJ45 connector |
| Resolution H.265/H.264/JPEG (MJPEG) | <ul style="list-style-type: none"> • [16 : 9] 1920×1080 / 1280×720 / 640×360 / 320×180 • [4 : 3] 2048×1536*6 / 1280×960 / 800×600 / VGA / 400×300 / QVGA |
| H.265/H.264 - Transmission Mode H.265/H.264 - Transmission Type | Constant bit rate / VBR / Frame rate / Best effort Unicast / Multicast |
| JPEG - Image Quality | 10 steps |
| Smart Coding | Smart Facial Coding* : On(Smart Facial Coding) / On(AUTO VIQS) / Off *Smart Facial Coding is only available with Stream(1). GOP(Group of pictures) control : On(Frame rate control)* / On(Advanced)* / On(Mid.) / On(Low) / Off *On(Frame rate control) and On(Advanced) are only available with H.265. |
| Audio Compression | G.726 (ADPCM) : 16 kbps / 32 kbps, G.711 : 64 kbps, AAC-LC*9 : 64 kbps / 96 kbps / 128 kbps |
| Audio Transmission Mode | Off / Mic (Line) input / Audio output / Interactive (Half duplex) / Interactive (Full duplex) |
| Supported Protocol | IPv6: TCP/IP, UDP/IP, HTTP, HTTPS, RTP, FTP, SMTP, DNS, NTP, SNMP, DHCPv6, MLD, ICMP, ARP, IEEE 802.1X, DiffServ IPv4: TCP/IP, UDP/IP, HTTP, HTTPS, RTSP, RTP, RTP/RTCP, FTP, SMTP, DHCP, DNS, DDNS, NTP, SNMP, UPnP, IGMP, ICMP, ARP, IEEE 802.1X, DiffServ |
| Maximum concurrent access number | 14 (Number of sessions that can connect to cameras at the same time) *Depends on network conditions |
| SDXC/SDHC/SD Memory Card (Option) | H.265 / H.264 recording: Manual REC / Alarm REC (Pre/Post) / Schedule REC / Backup upon network failure JPEG recording: Manual REC / Alarm REC (Pre/Post) / Backup upon network failure Compatible SDXC/SDHC/SD Memory Card: Panasonic 2 GB, 4 GB*, 8 GB*, 16 GB*, 32 GB*, 64 GB**, 128 GB**, 256 GB** model *SDHC card, ** SDXC card (except miniSD card and microSD card) |
| Mobile Terminal Compatibility | iPad / iPhone, Android™ terminals |
| ONVIF Profile | G / S / T |

Alarm

| | |
|---------------|---|
| Alarm Source | 3 terminals input, VMD alarm, Command alarm, Audio detection alarm, Auto track alarm |
| Alarm Actions | SDXC/SDHC/SD memory recording, E-mail notification, HTTP alarm notification, Indication on browser, FTP image transfer, Panasonic protocol output |

| Input/Output | |
|------------------------|--|
| Audio Input | ø3.5 mm stereo mini jack (Audio input is monaural.) Input impedance: Approx. 2 kΩ (unbalanced) (Applicable microphone : Plug-in power type) Supply voltage : 4.0 V ±0.5 V |
| Audio Output | ø3.5 mm stereo mini jack (Audio output is monaural.) Output impedance : Approx. 600 Ω (unbalanced) |
| External I/O Terminals | ALARM IN1(Alarm input 1/ Black & white input/ Auto time adjustment input), ALARM IN2(Alarm input 2/ ALARM OUT), ALARM IN3 (Alarm input 3/ AUX OUT) (x1 for each) |
| Monitor Output | Yes (for adjustment) Φ3.5mm stereo mini jack, NTSC or PAL signal can be output from camera |

| General | |
|------------------------------------|---|
| Safety | UL (UL60950-1), c-UL (CSA C22.2 No.60950-1), CE, IEC60950-1 |
| EMC | FCC (Part15 ClassA), ICES003 ClassA, EN55032 ClassA, EN55035 |
| Power Source and Power Consumption | AC24 V 3.4 A, Approx. 55 W PoE+ (IEEE802.3at compliant): DC 54V 470 mA, Approx. 25 W(Class4 device) Tested POE Injector (60 W) : DC 54V 1.0 A, Approx. 50 W |
| Ambient Operating Temperature | -50 °C to +60 °C {-58 °F to +140 °F} (AC 24 V/ Tested PoE injector (60 W))*12 -30 °C to +60 °C {-22 °F to +140 °F} (PoE+ device)*12 {Power On range: -30 °C to +60 °C (-22 °F to +140 °F)} |
| Ambient Operating Humidity | 10 to 100 % (no condensation) |
| Dehumidification Device | Temish element+Fan/Heater |
| Water and Dust Resistance | IP66 (IEC60529), Type 4X (UL50E), NEMA 4X compliant |
| Shock Resistance | IK10 (IEC62262) |
| Wind Resistance | Up to 40 m/s {approx. 89 mph} |
| Salt Damage Resistance | ISO14993 compliant |
| Dimensions | Maximum ø249 mm × 465 mm (H){ø9-13/16 inches × 18-5/16 inches (H)} |
| Mass (Approx.) | Mass: Approx. 8.0 kg {17.66 lbs} (Including cable cover) |
| Finish | Main body : Aluminum die cast with salt resistance painting, Silver Outer fixing screws : Stainless steel (Corrosion-resistant treatment) Front Panel : Polycarbonate resin (with ClearSight coating), Clear |
| Other | WV-X6533LNS : Heavy salt damage resistance specifications (ISO 14993 compliant) |

NOTES

Important

- Safety Precautions : Carefully read the Basic Information, Installation Guide and Operating Instructions before using this product.
- i-PRO Co., Ltd. cannot be held responsible for the performance of the network and/or other manufacturers' products used on the network.
- Masses and dimensions are approximate.
- Specifications are subject to change without notice.

Trademarks and registered trademarks

- iPad and iPhone are trademarks of Apple Inc., registered in the U.S. and other countries. - Android is a trademark of Google LLC.
- ONVIF is a trademark of ONVIF, Inc.

- All other trademarks identified herein are the property of their respective owners
©i-PRO Co., Ltd All rights reserved / November 2022

OPTIONAL ACCESSORIES

Select a compatible accessory

[Accessory Selector \(i-pro.com\)](http://i-pro.com).



WV-QWL504S-W
Mount Bracket



WV-QCN500S-G
Mount Bracket



WV-Q122AS
Mount Bracket



WV-Q121BS
Mount Bracket



WV-SDA512G
i-PRO SD Memory Card



WV-SDA256G
i-PRO SD Memory Card



WV-SDA128G
i-PRO SD Memory Card

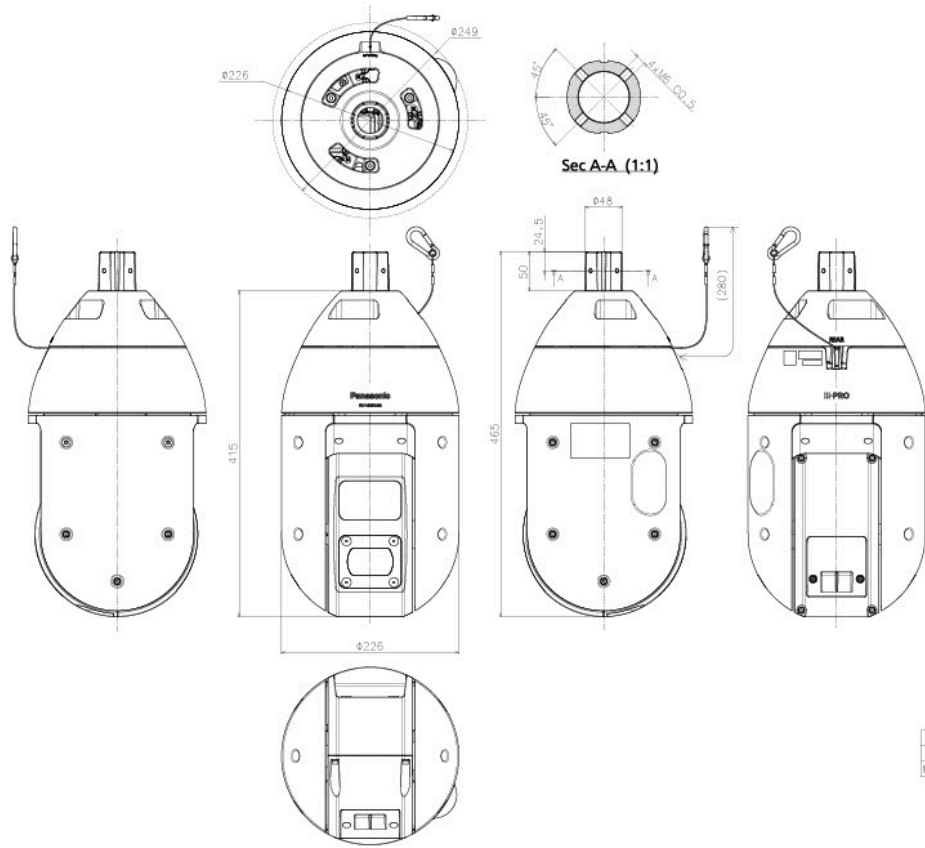


WV-SDA064G
i-PRO SD Memory Card



WV-SDA032G
i-PRO SD Memory Card

APPEARANCE



| | 投影面积/Projected area |
|---------------|-------------------------|
| 正面图/Top-view | 0.041 (m ²) |
| 侧面图/Side-view | 0.083 (m ²) |

Weight : Approx. 8.0 kg (17.66 lbs)

WV-X6533LNS