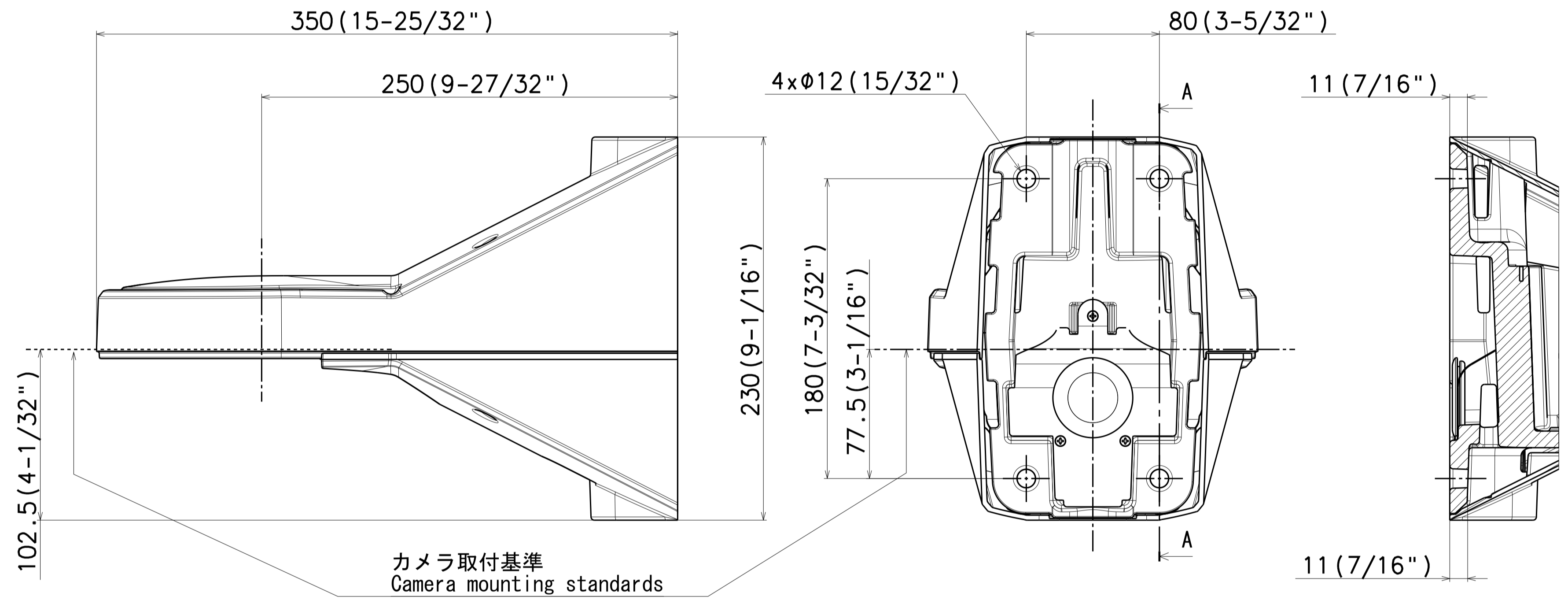
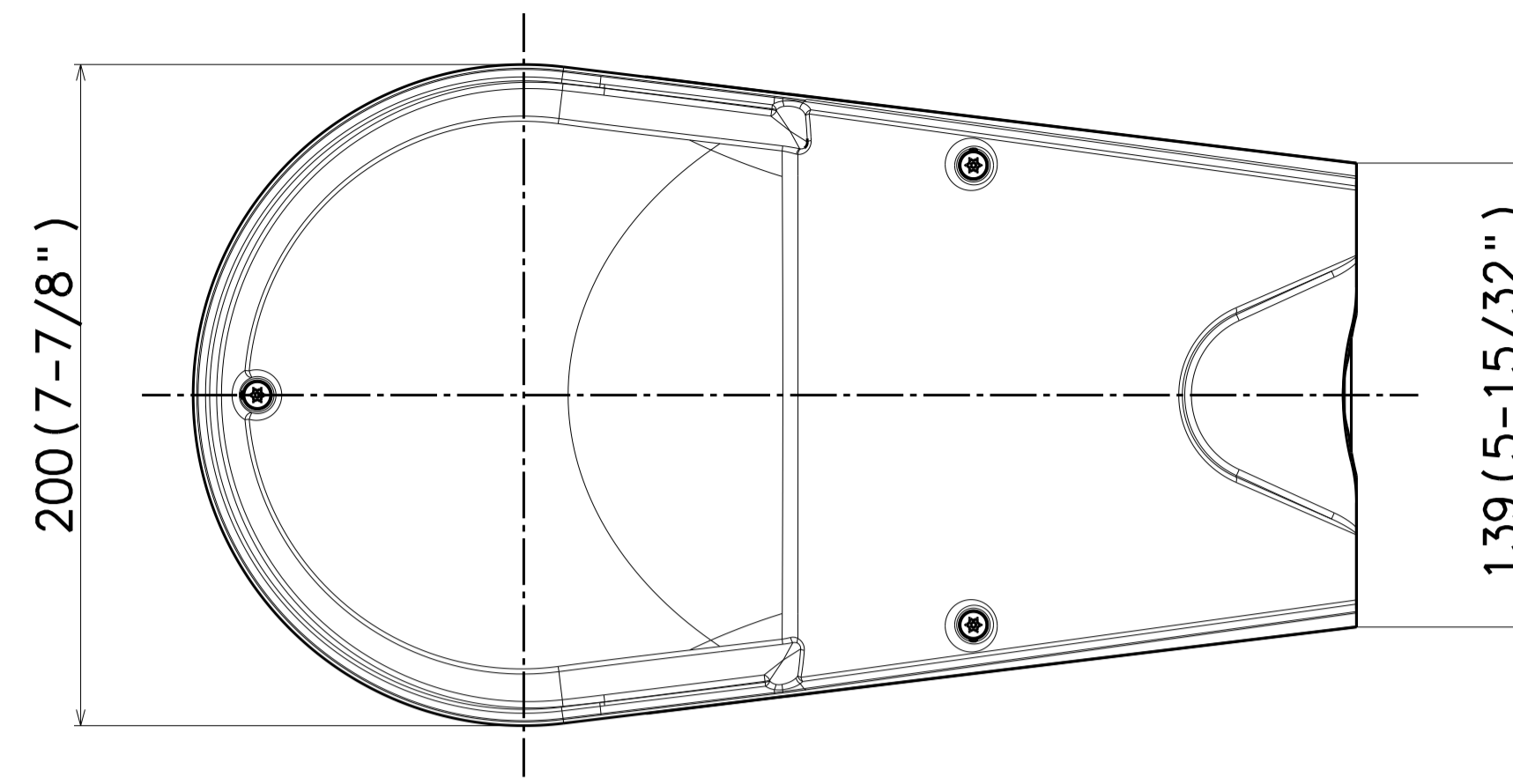
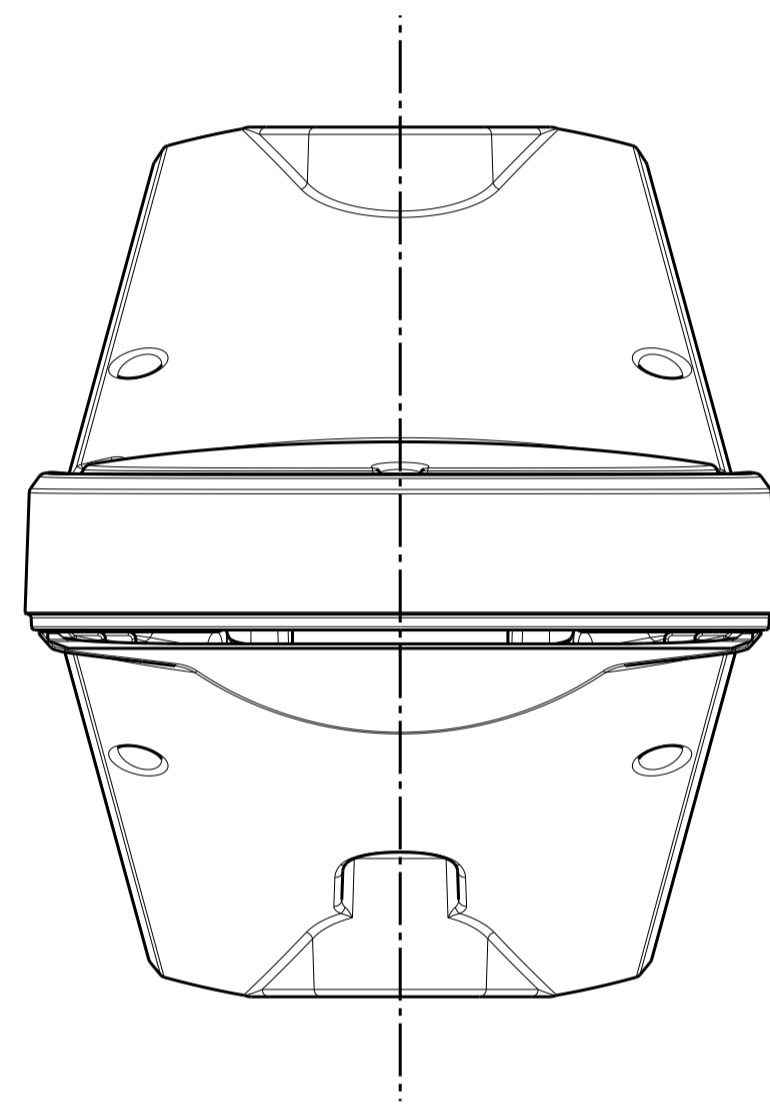
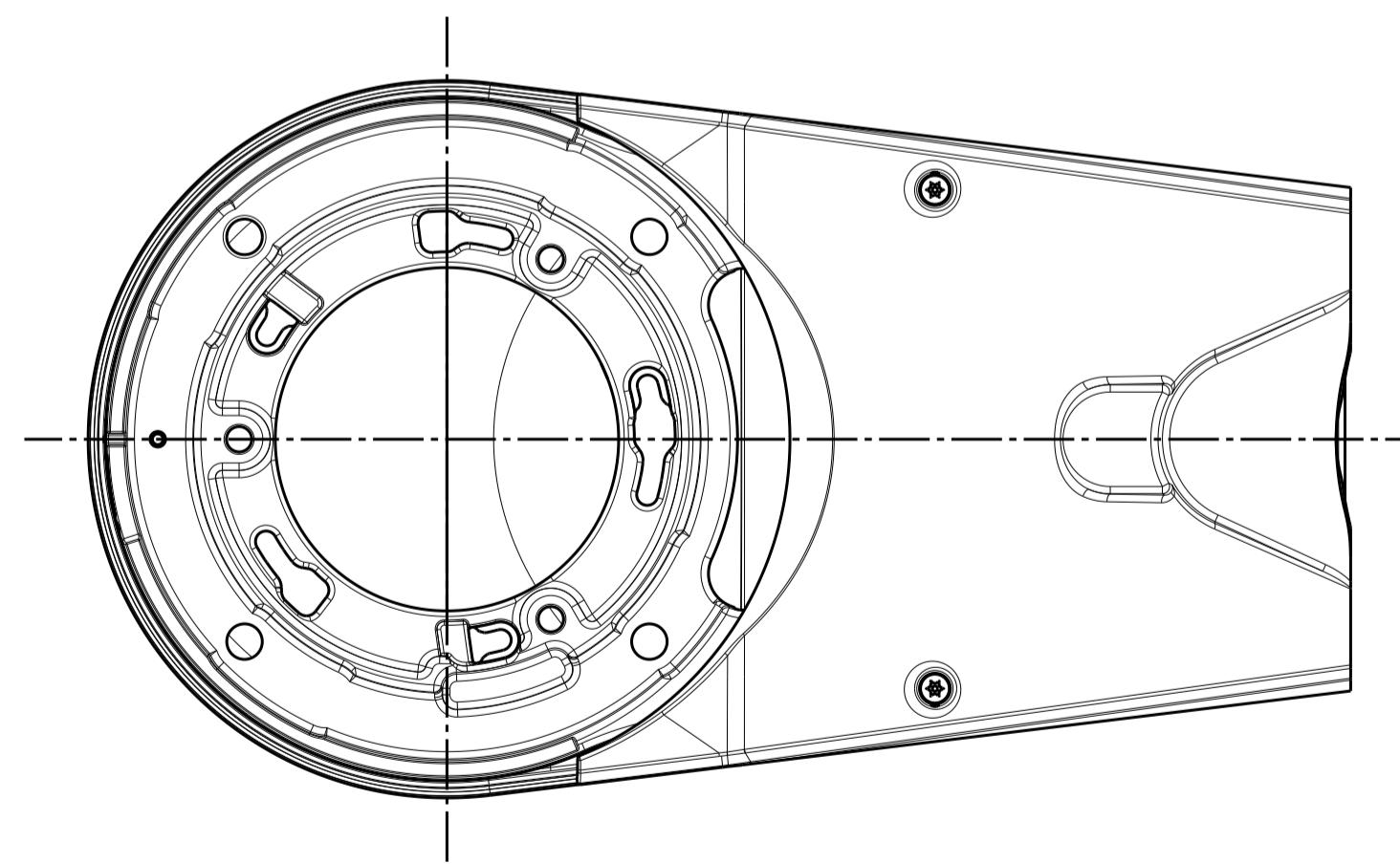


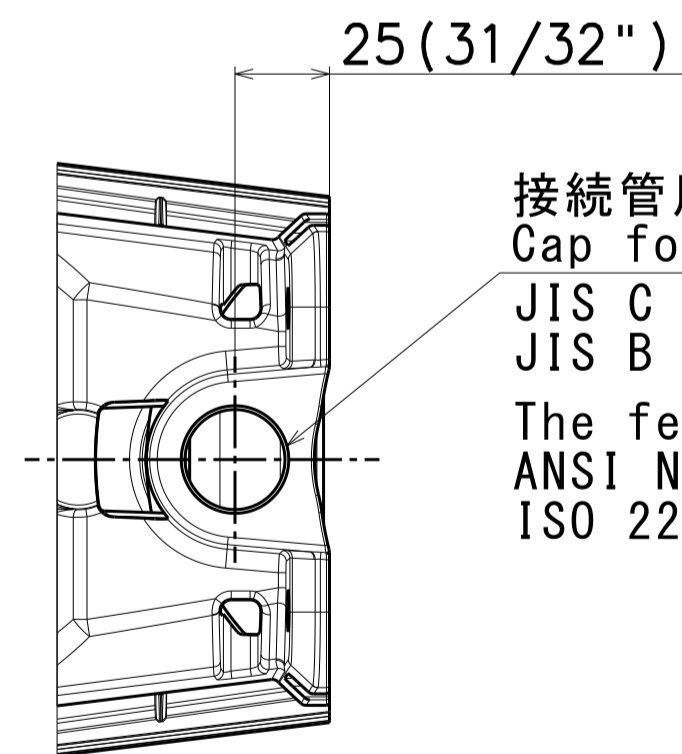
Without Top cover



Sec A-A



Without Bottom cover



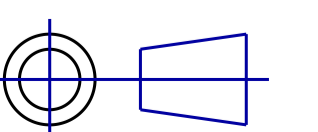
接続管用めねじ
Cap for the female thread for the conduit
JIS C 8305 (電線管ねじ)のCTG22、または
JIS B 0202 (管用平行ねじ)のG3/4に対応しています。
The female thread for conduit is compliant with
ANSI NPSM (parallel pipe threads) 3/4 or
ISO 228-1 (parallel pipe threads) G3/4.

Model number	
WV-QWL504-W	(WV-QWL504-WUS)
WV-QWL504-B	(WV-QWL504-BUS)
WV-QWL504S-W	(WV-QWL504S-WUS)

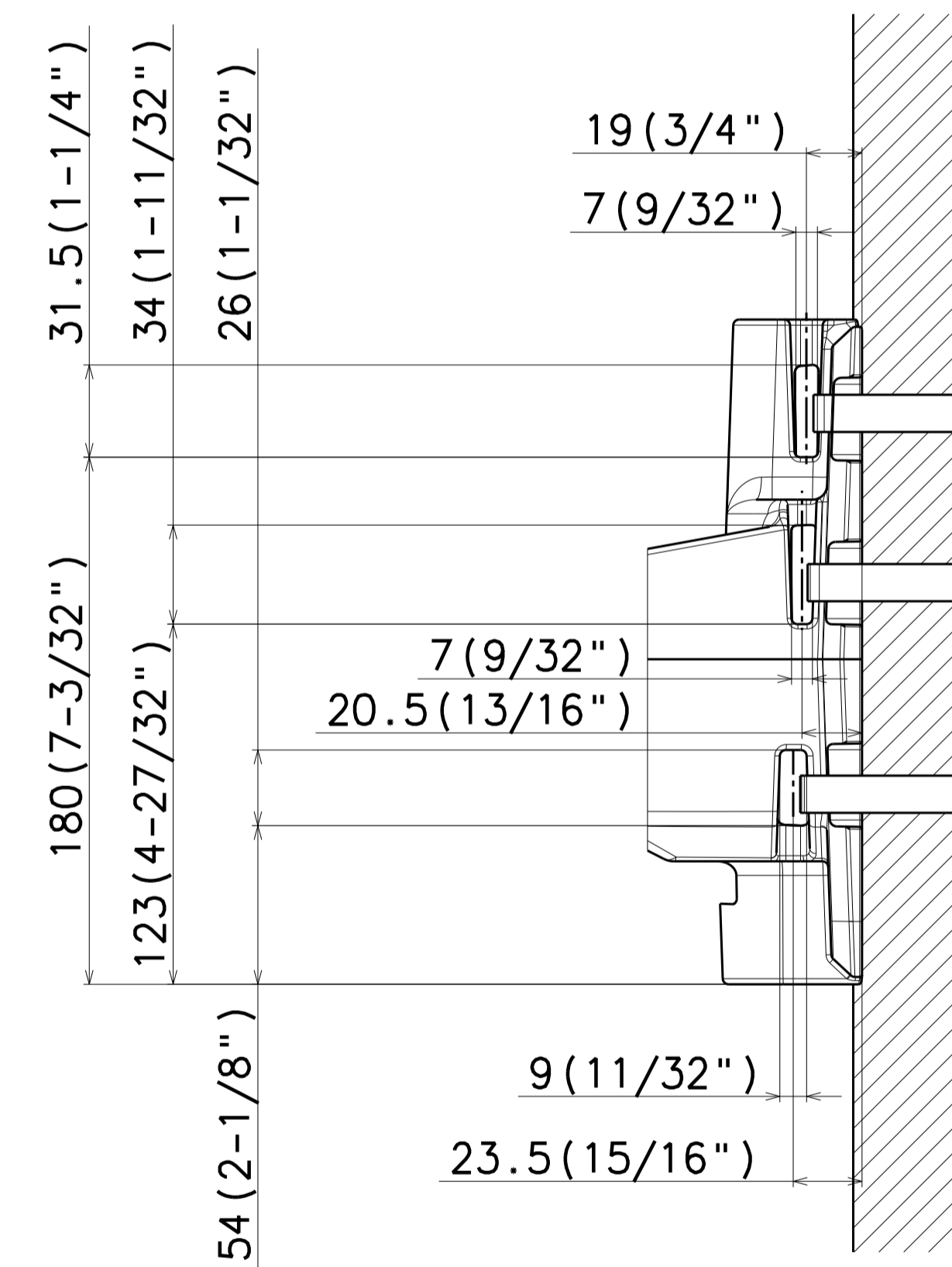
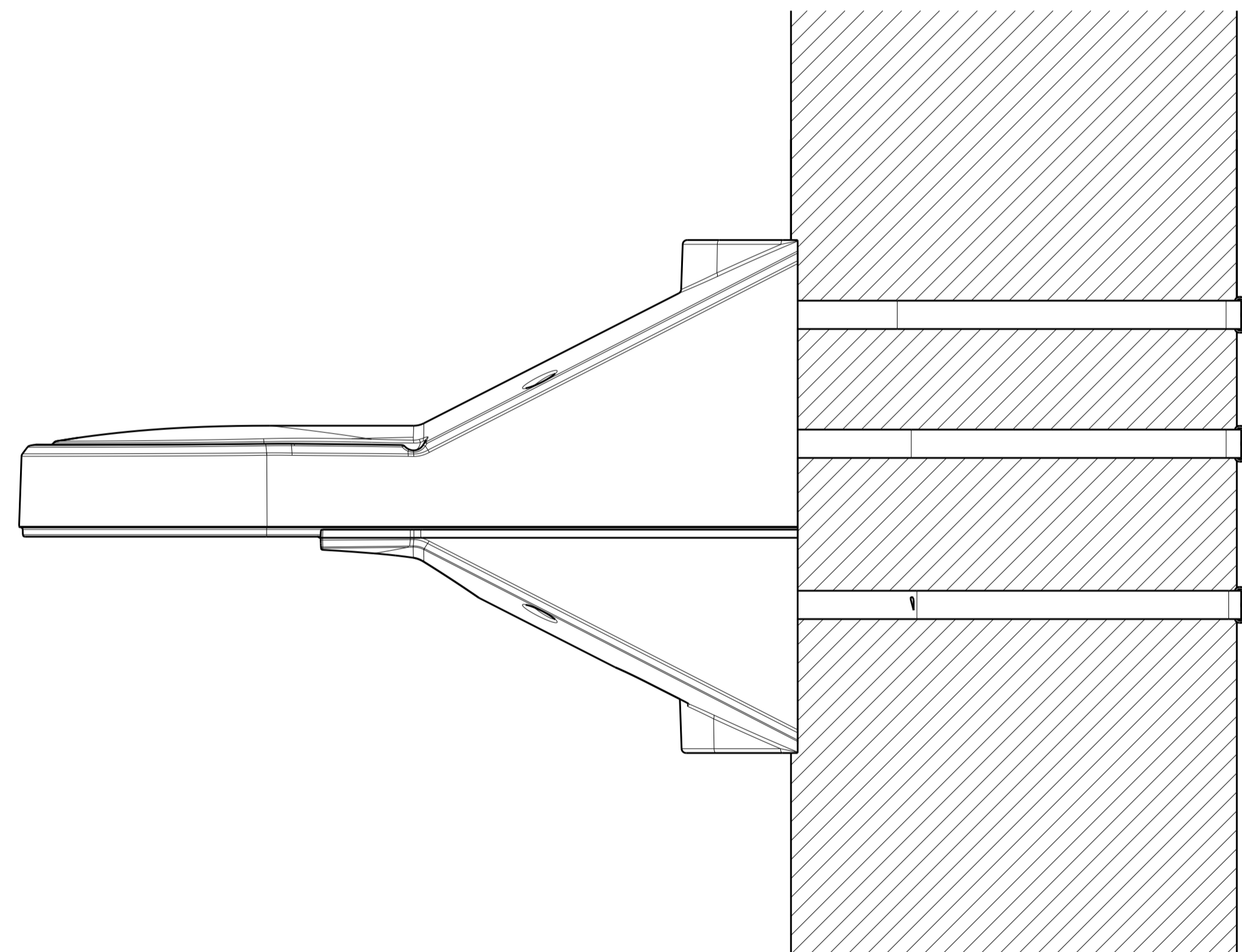
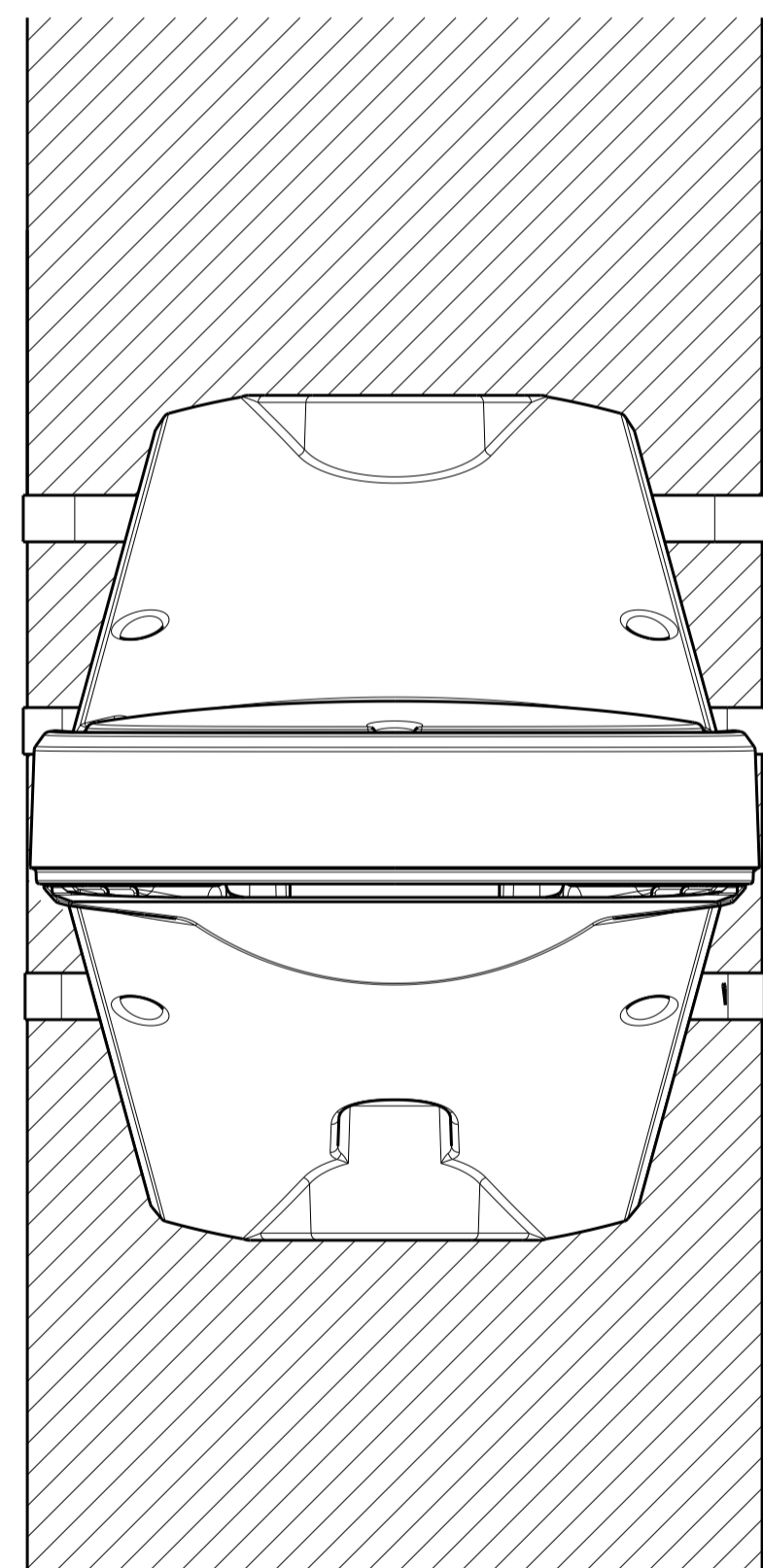
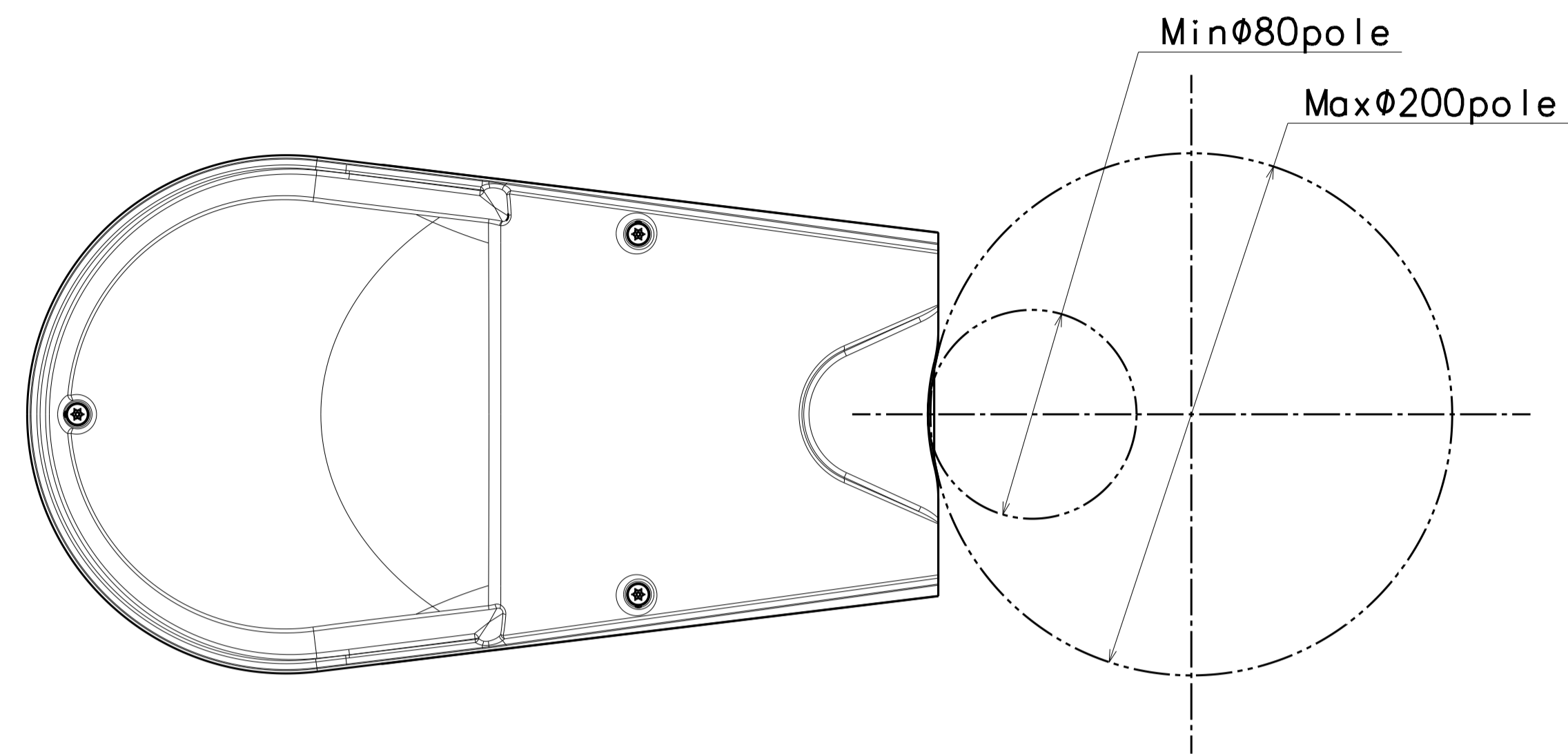
	投影面積/Projected area
正面図/Front-view	0.037 (m ²)
側面図/Side-view	0.035 (m ²)
平面図/Top-view	0.058 (m ²)

Mass : Approx. 2.5 kg {5.52 lbs}
(Including fixing band 170 g {0.38 lbs})

Unit:mm



カメラとの組み合わせ例
Example of combination with a camera

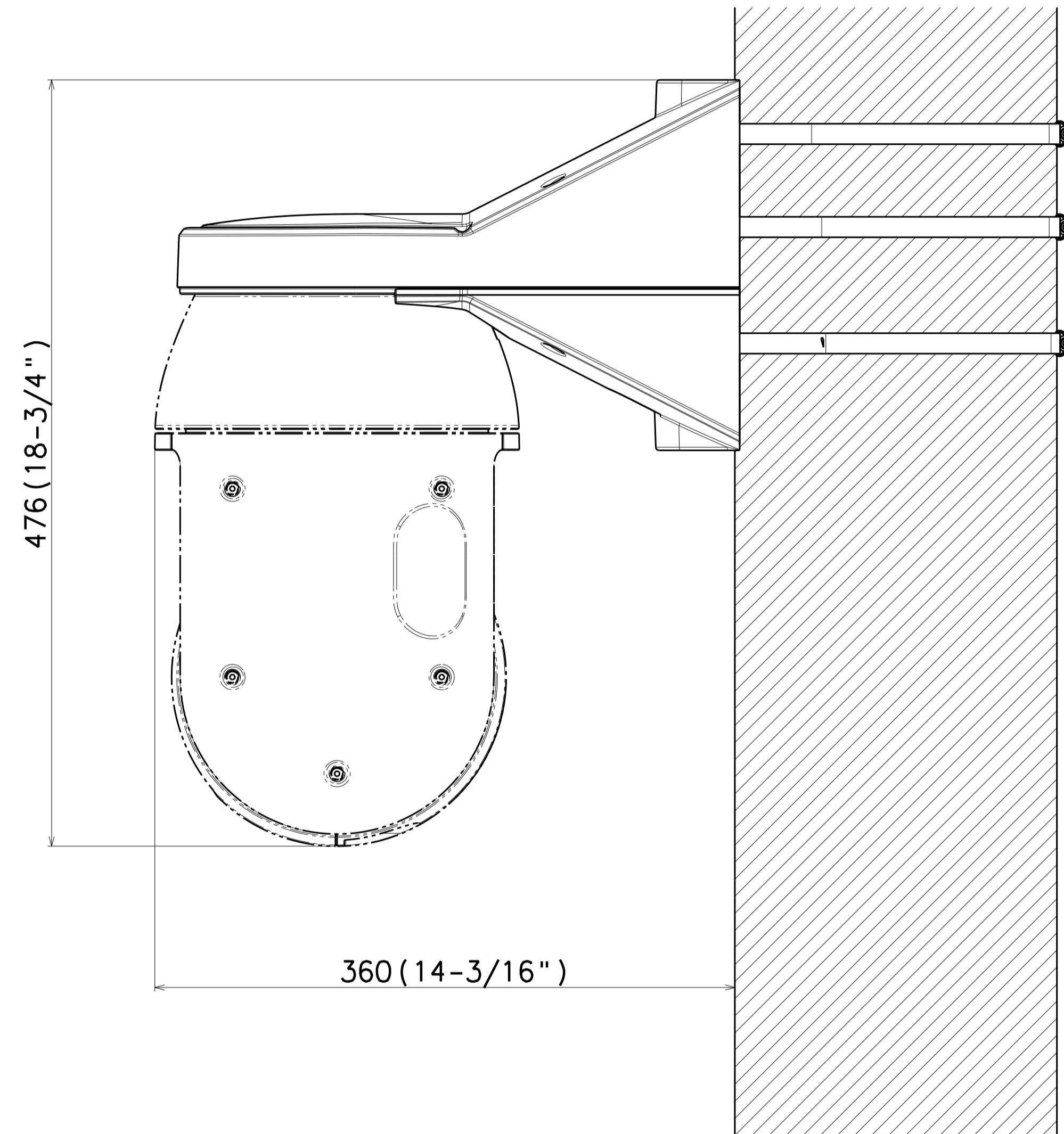


Fixing bands hole size

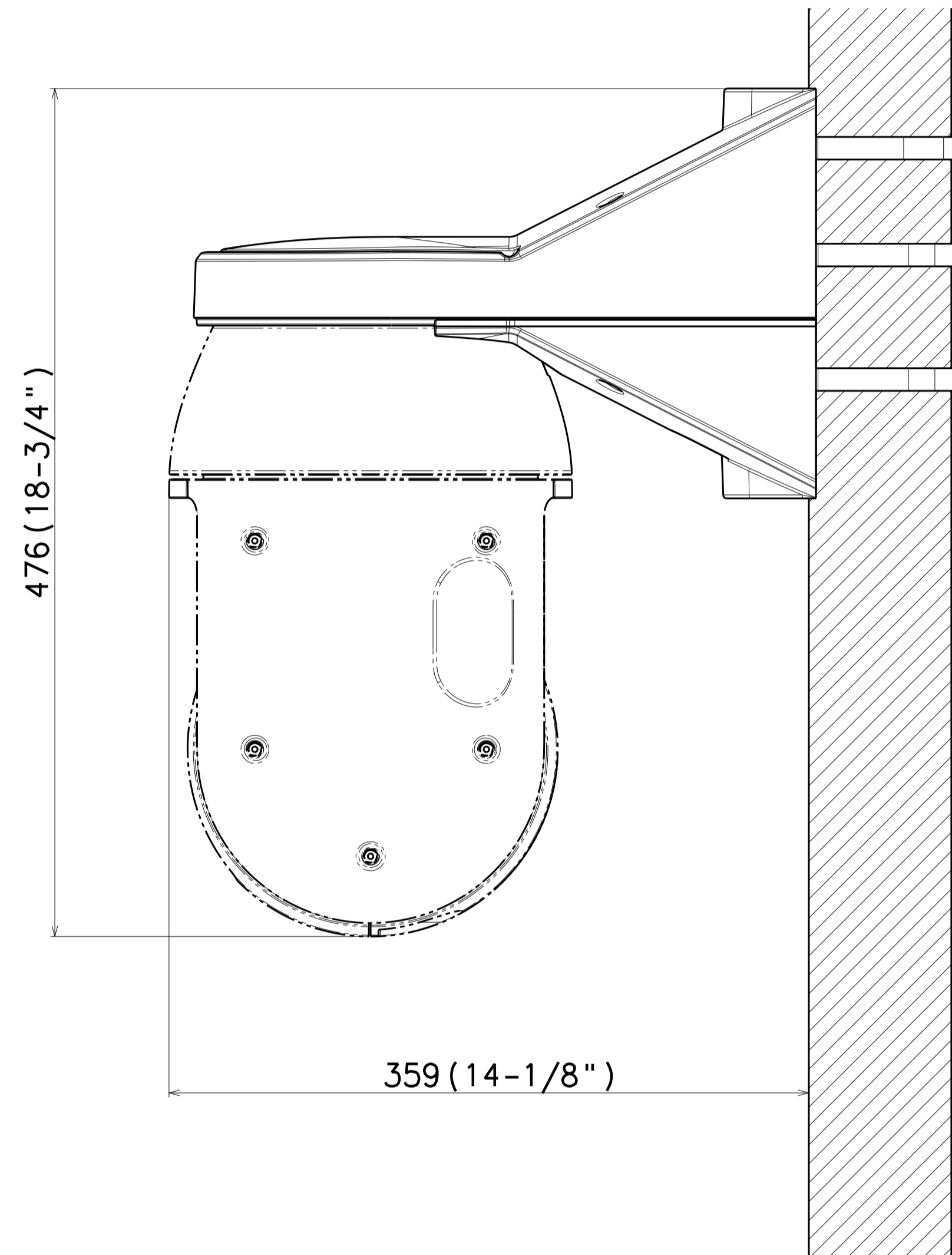
Model number	
WV-QWL504-W	(WV-QWL504-WUS)
WV-QWL504-B	(WV-QWL504-BUS)
WV-QWL504S-W	(WV-QWL504S-WUS)

Unit:mm

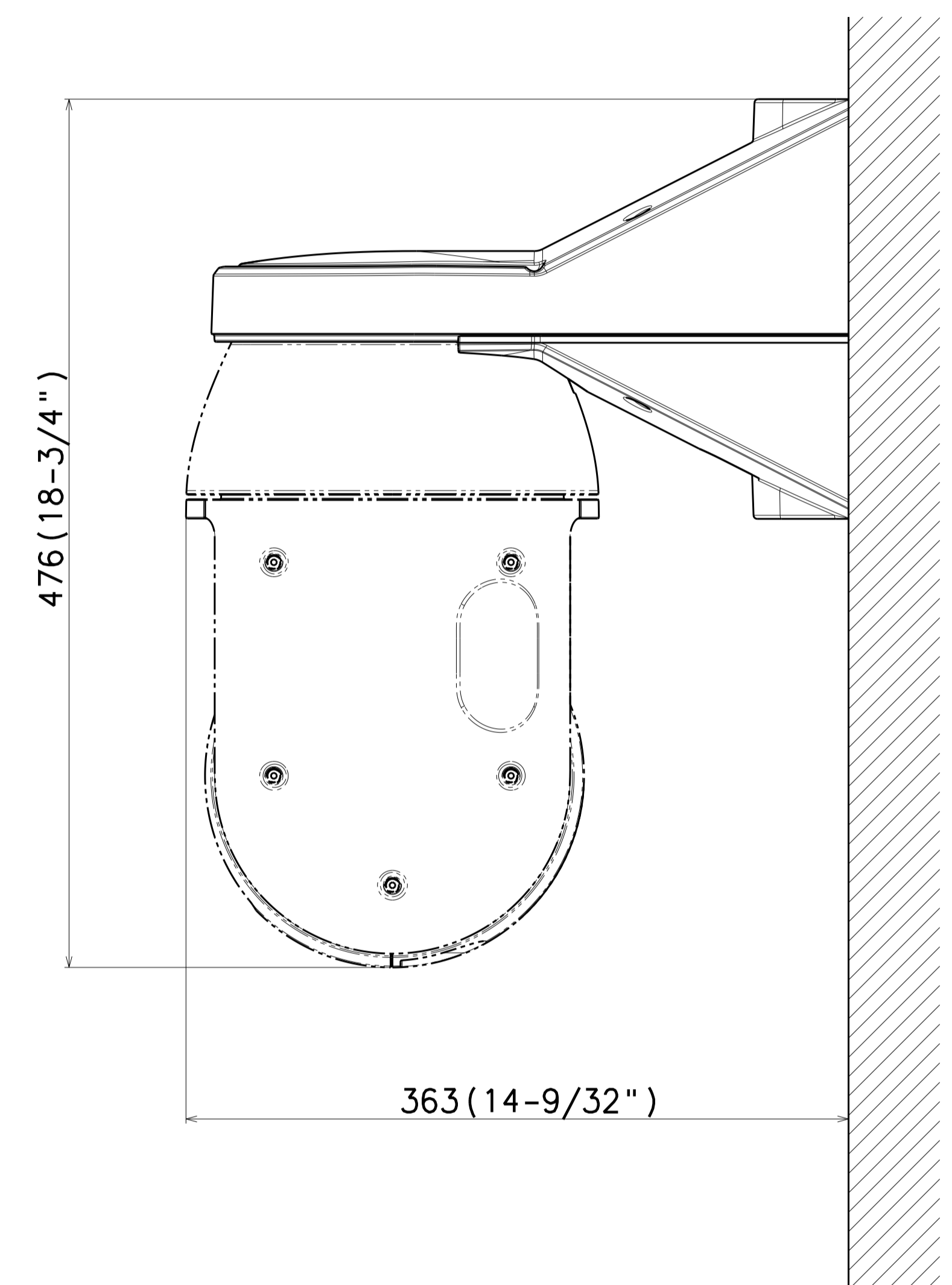
カメラとの組み合わせ例
Example of combination with a camera



With pole (Φ200pole)



With pole (Φ80pole)



Wall mounting

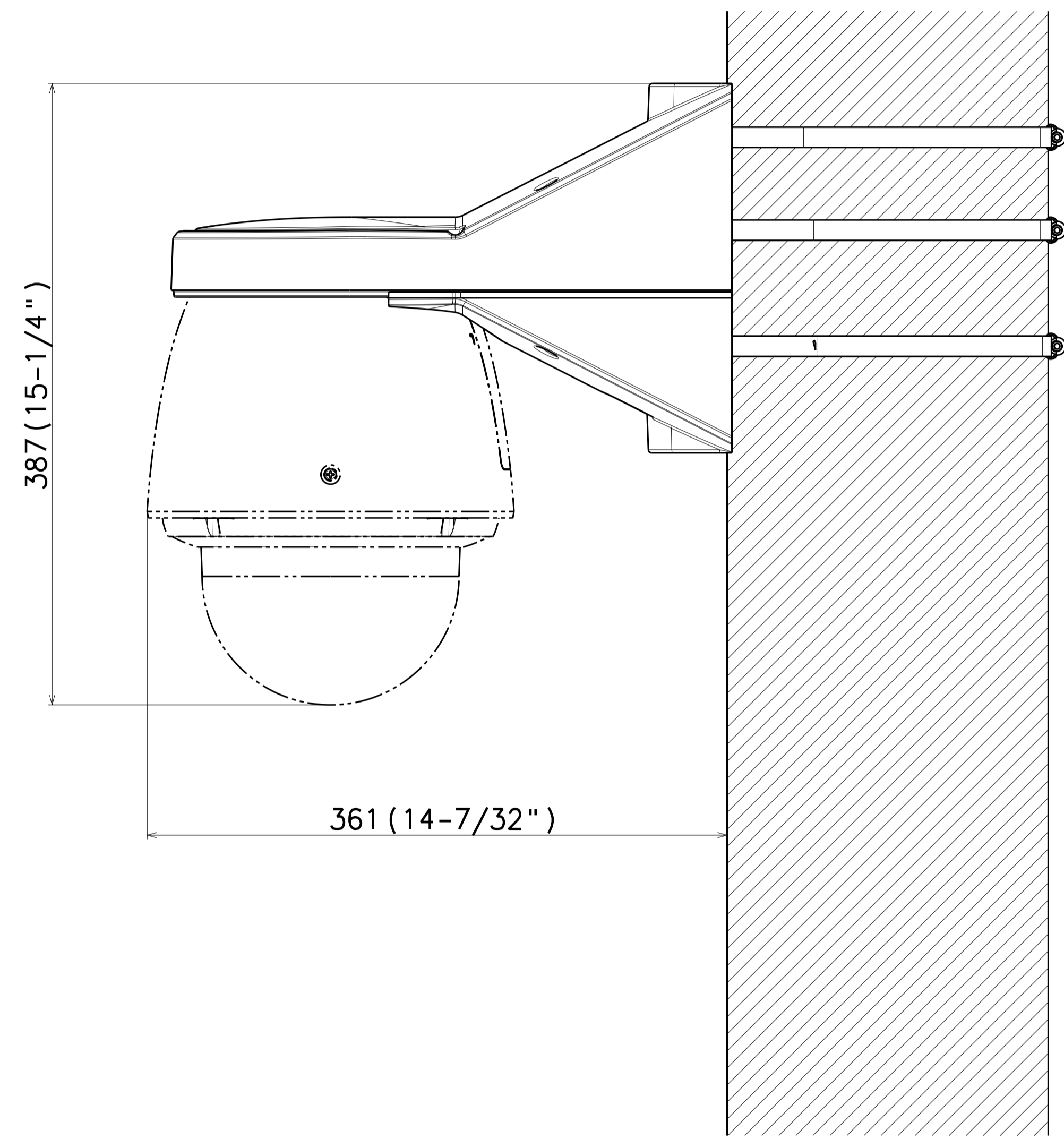
Attach to WV-X6533LN***

	投影面積/Projected area
正面図/Front-view	0.094(m ²)
側面図/Side-view	0.100(m ²)

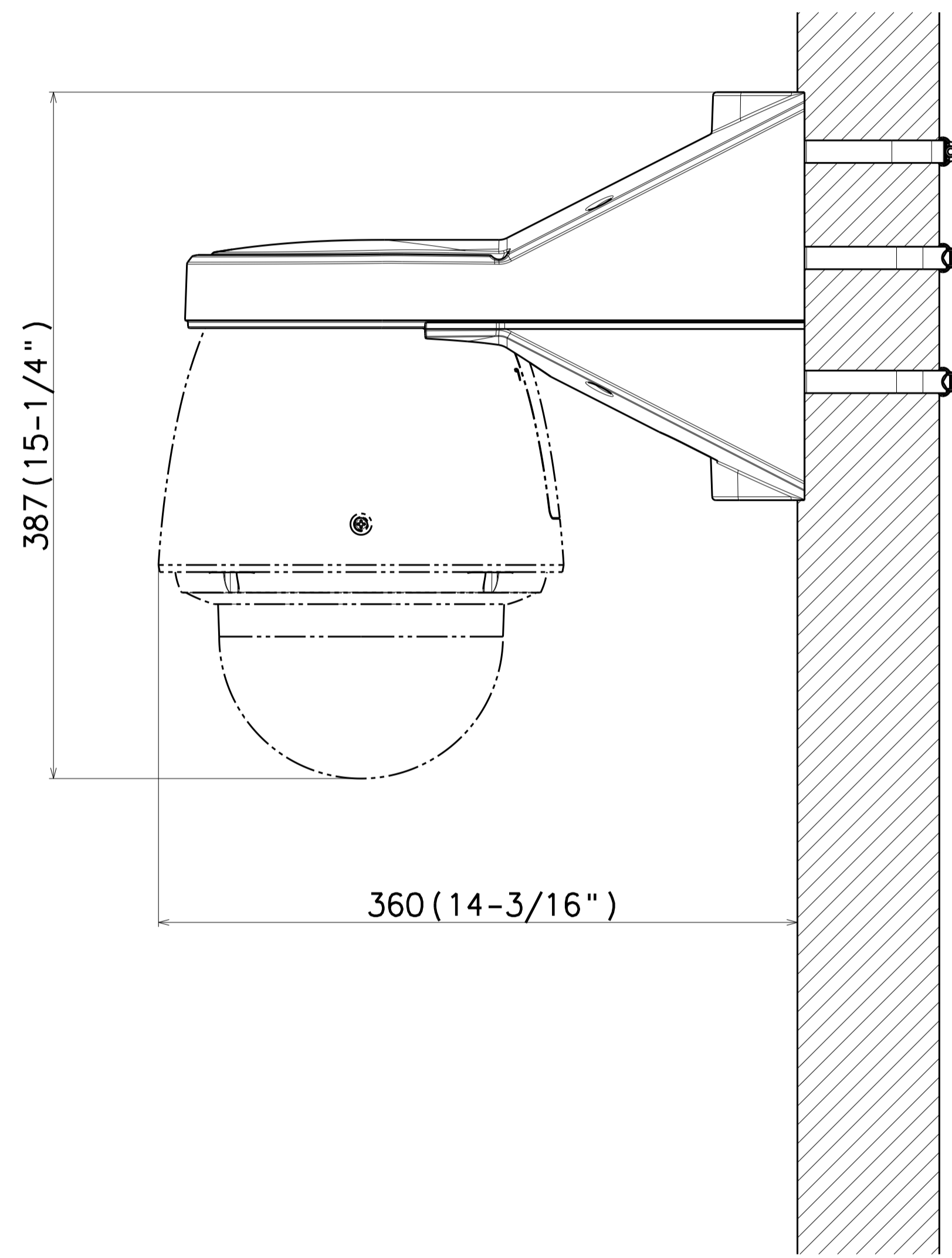
Model number	
WV-QWL504-W	(WV-QWL504-WUS)
WV-QWL504-B	(WV-QWL504-BUS)

Unit:mm

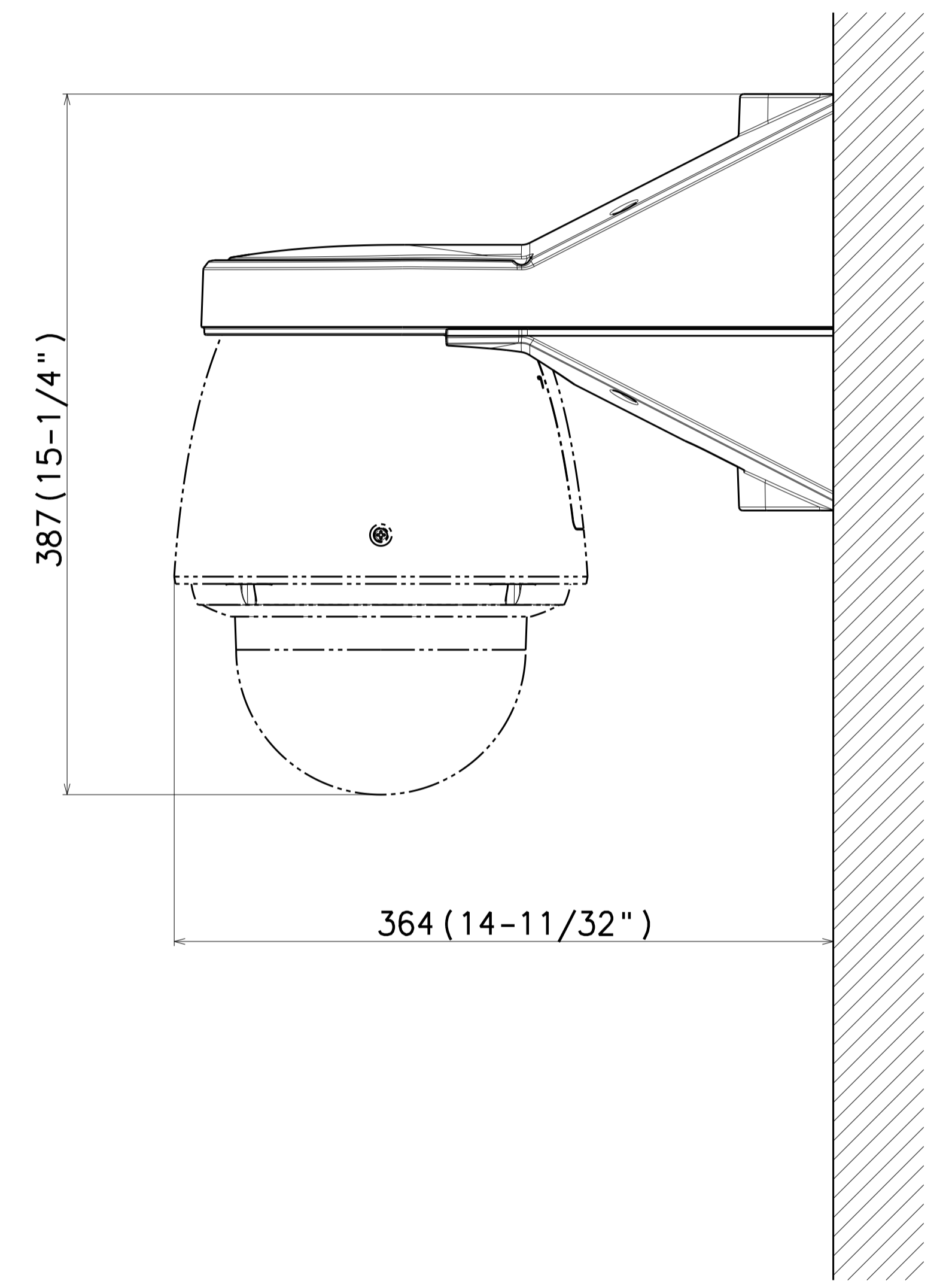
カメラとの組み合わせ例
Example of combination with a camera



With pole (Φ200pole)



With pole (Φ80pole)



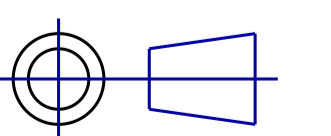
Wall mounting

Attach to WV-S65340-Z***

	投影面積/Projected area
平面図/Top-view	0.067(m ²)
側面図/Side-view	0.080(m ²)

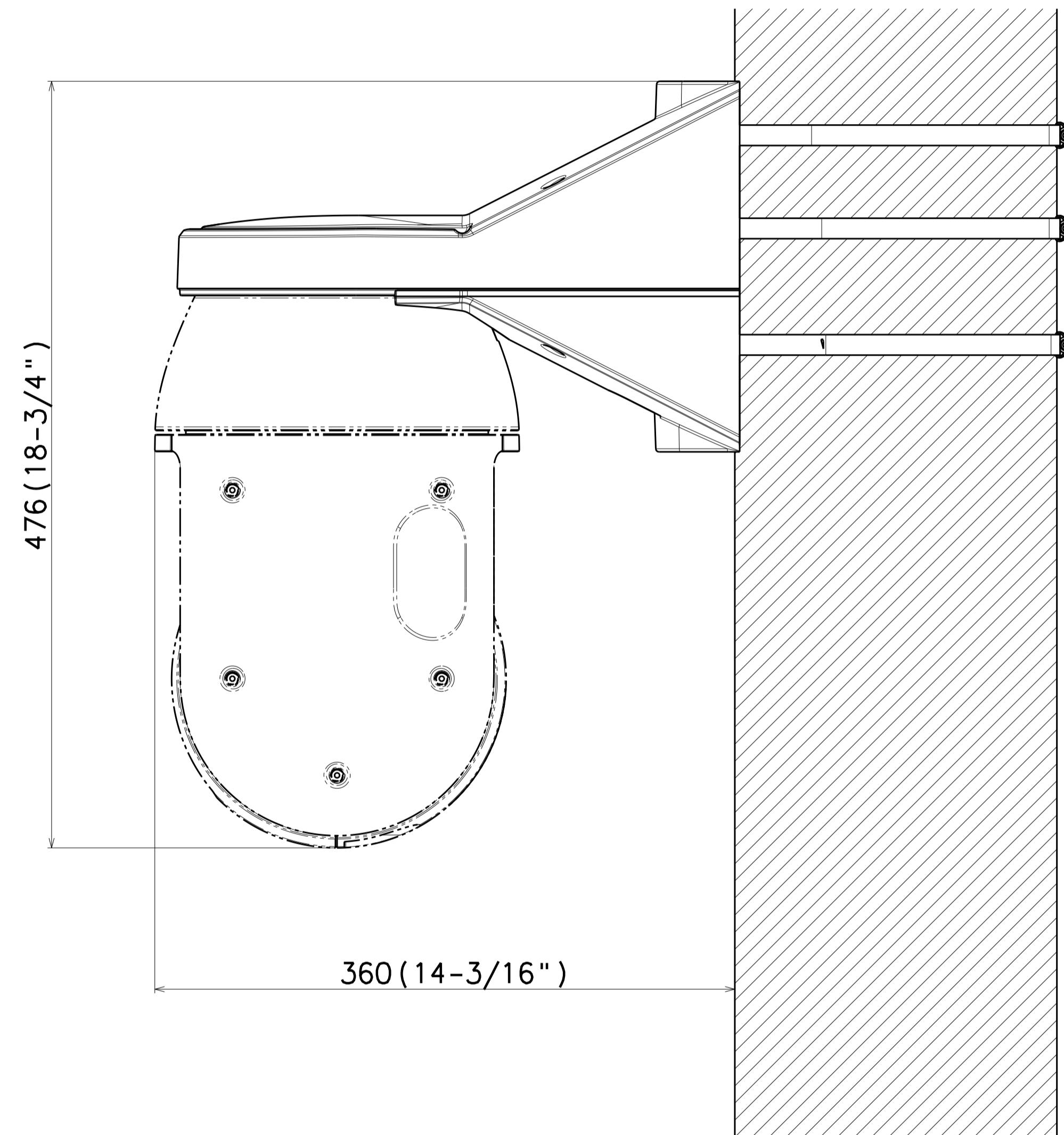
Model number	
WV-QWL504-W	(WV-QWL504-WUS)
WV-QWL504-B	(WV-QWL504-BUS)

Unit:mm



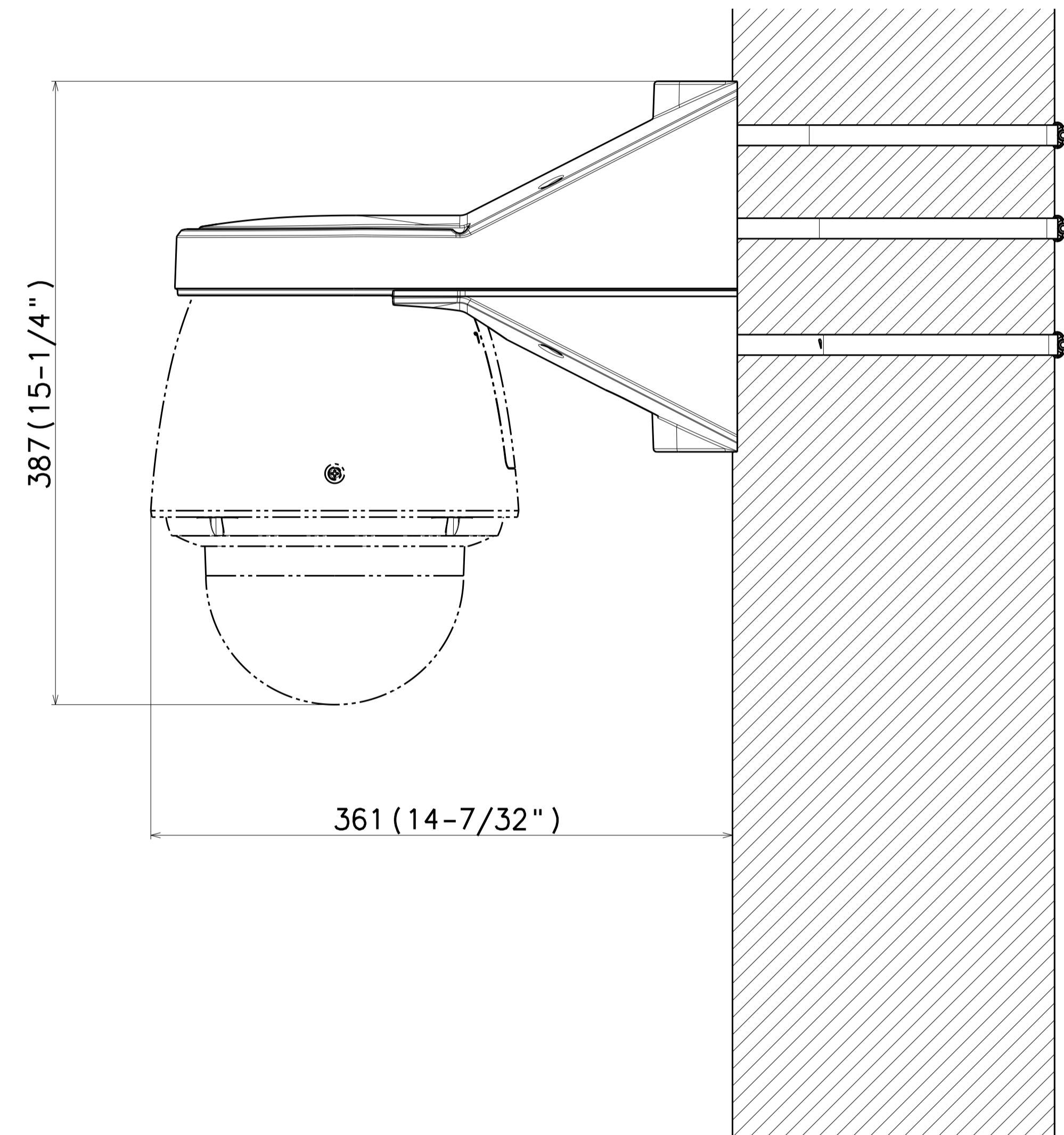
カメラとの組み合わせ例
Example of combination with a camera

耐重塩害モデル
Heavy salt damage version



Attach to WV-X6533LNS*

	投影面積/Projected area
正面図/Front-view	0.094 (m ²)
側面図/Side-view	0.100 (m ²)



Attach to WV-S65340-Z*K*

	投影面積/Projected area
平面図/Top-view	0.067 (m ²)
側面図/Side-view	0.080 (m ²)

Model number
WV-QWL504S-W (WV-QWL504S-WUS)

Unit:mm