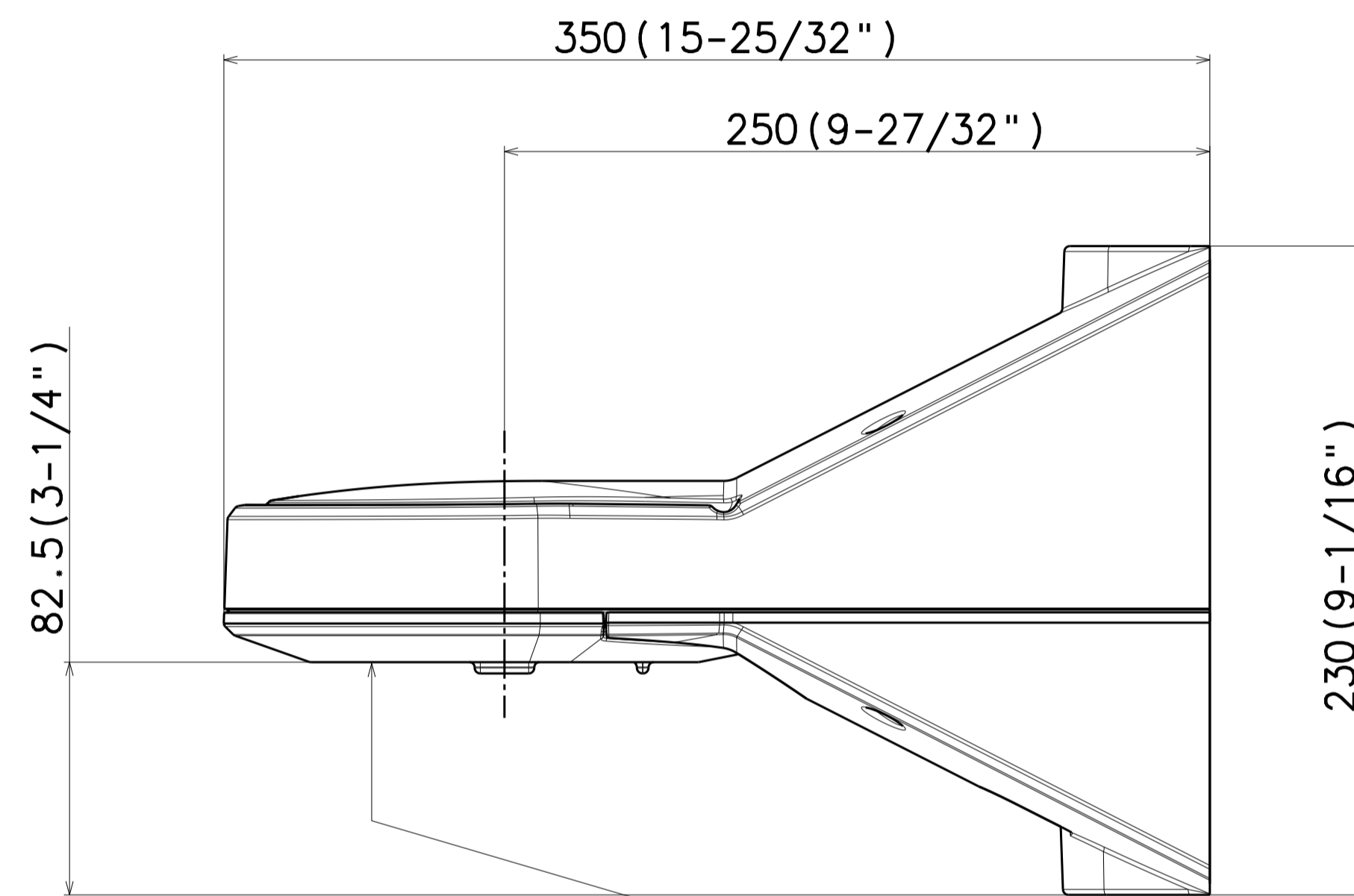
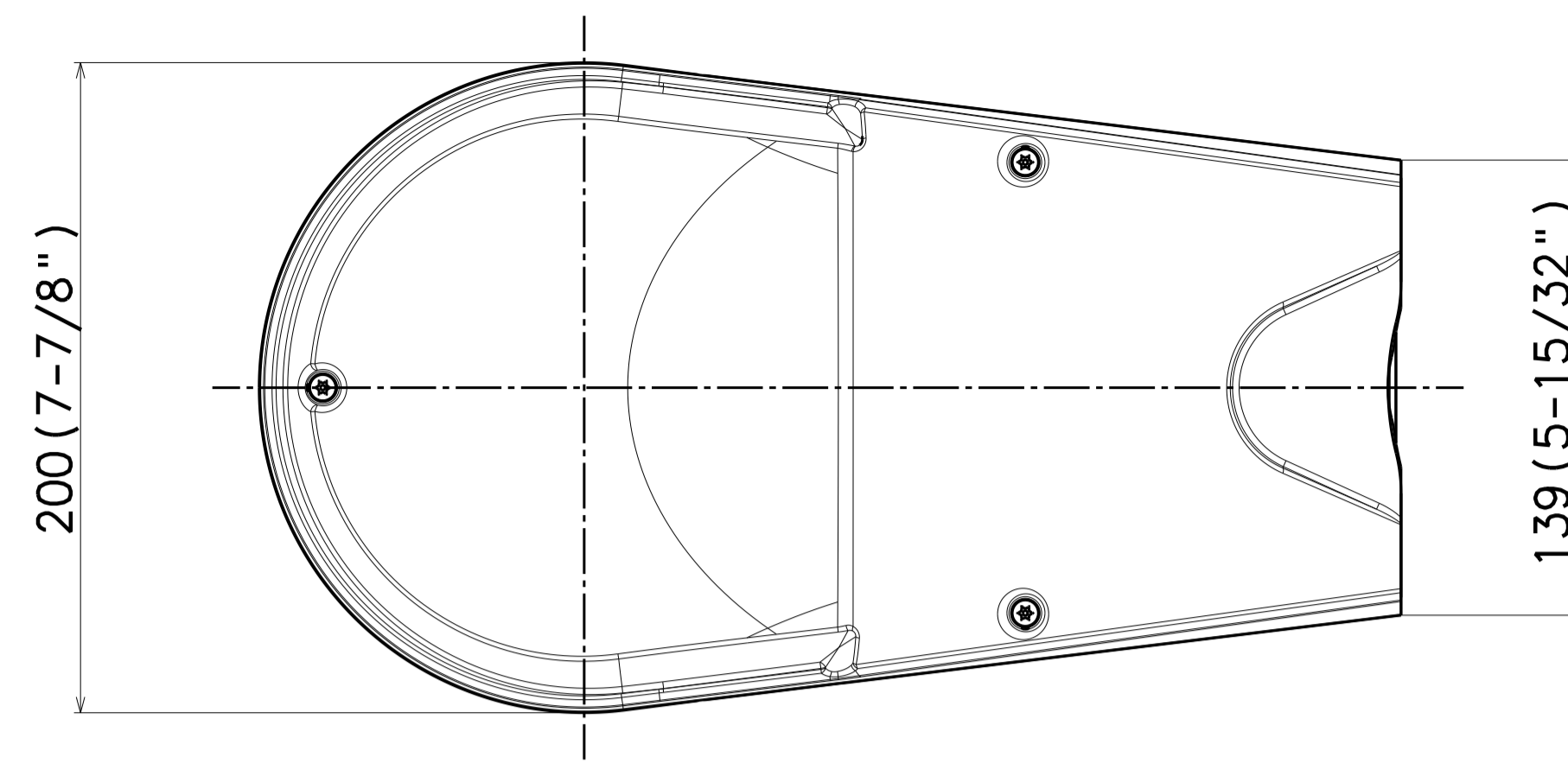
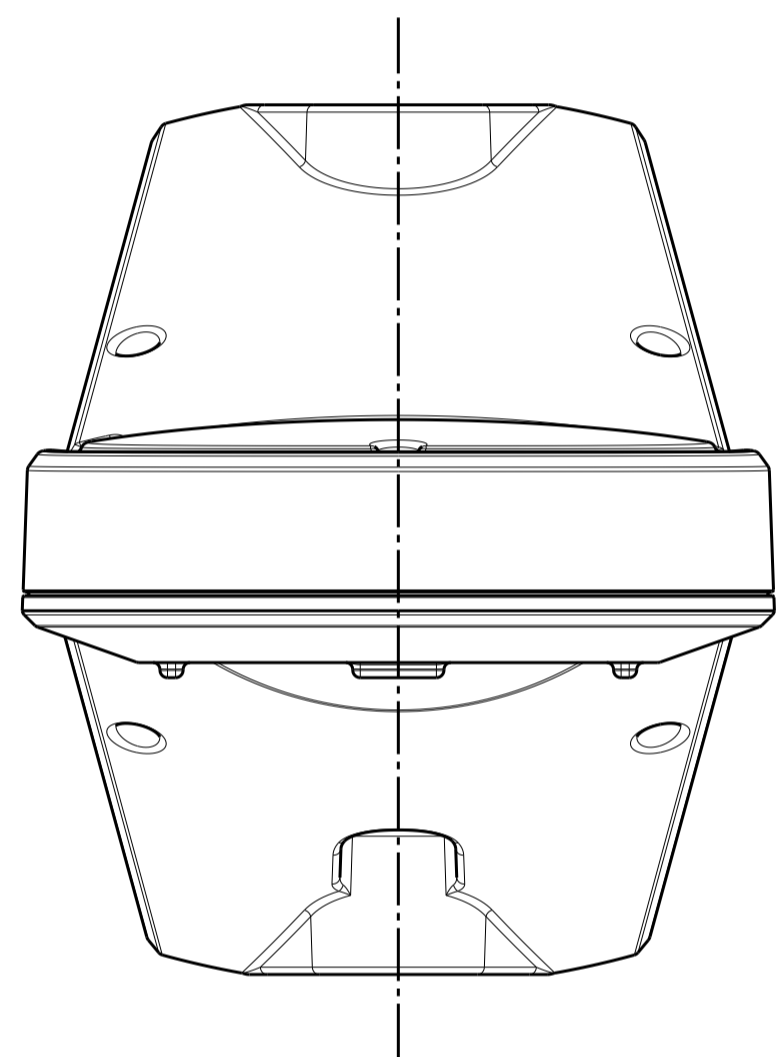
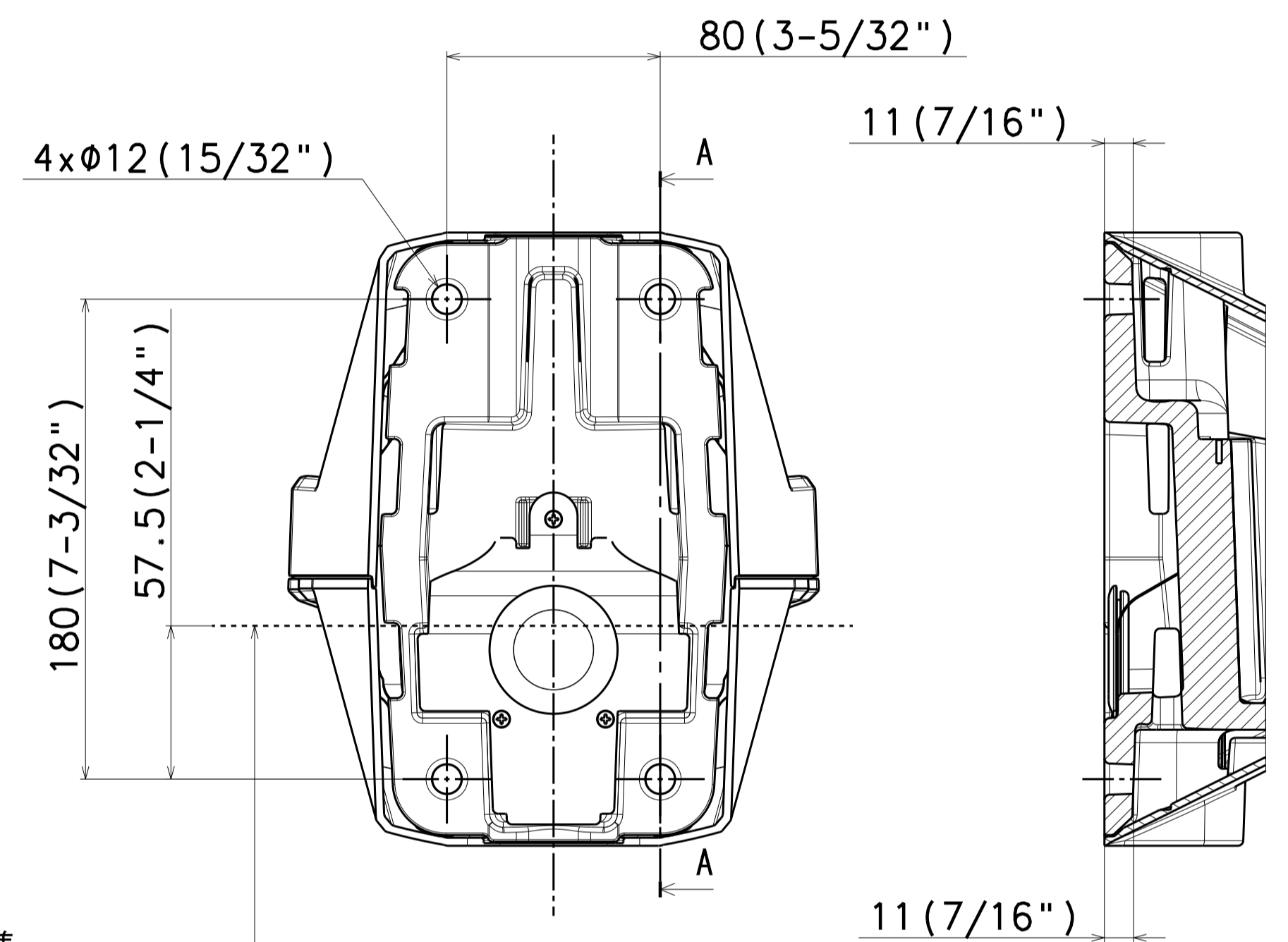


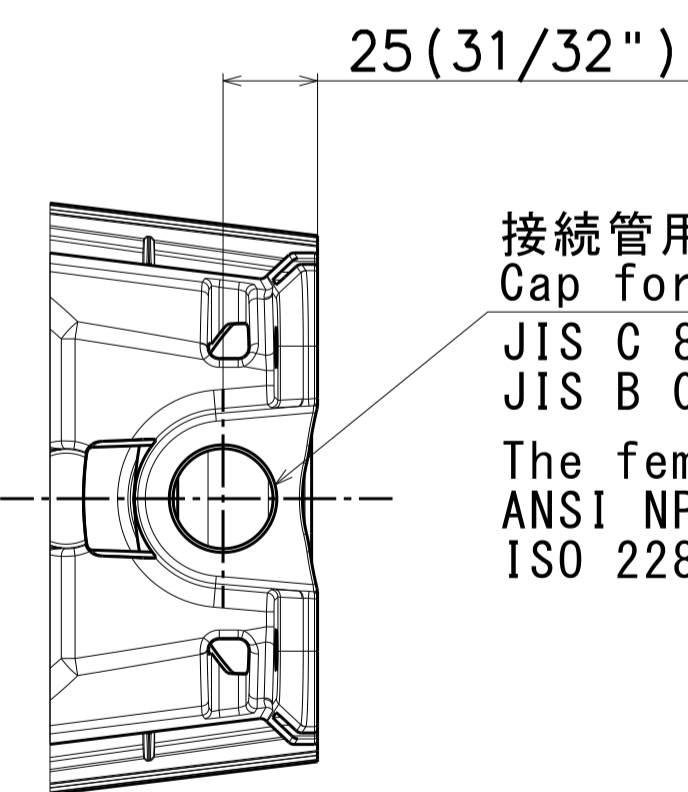
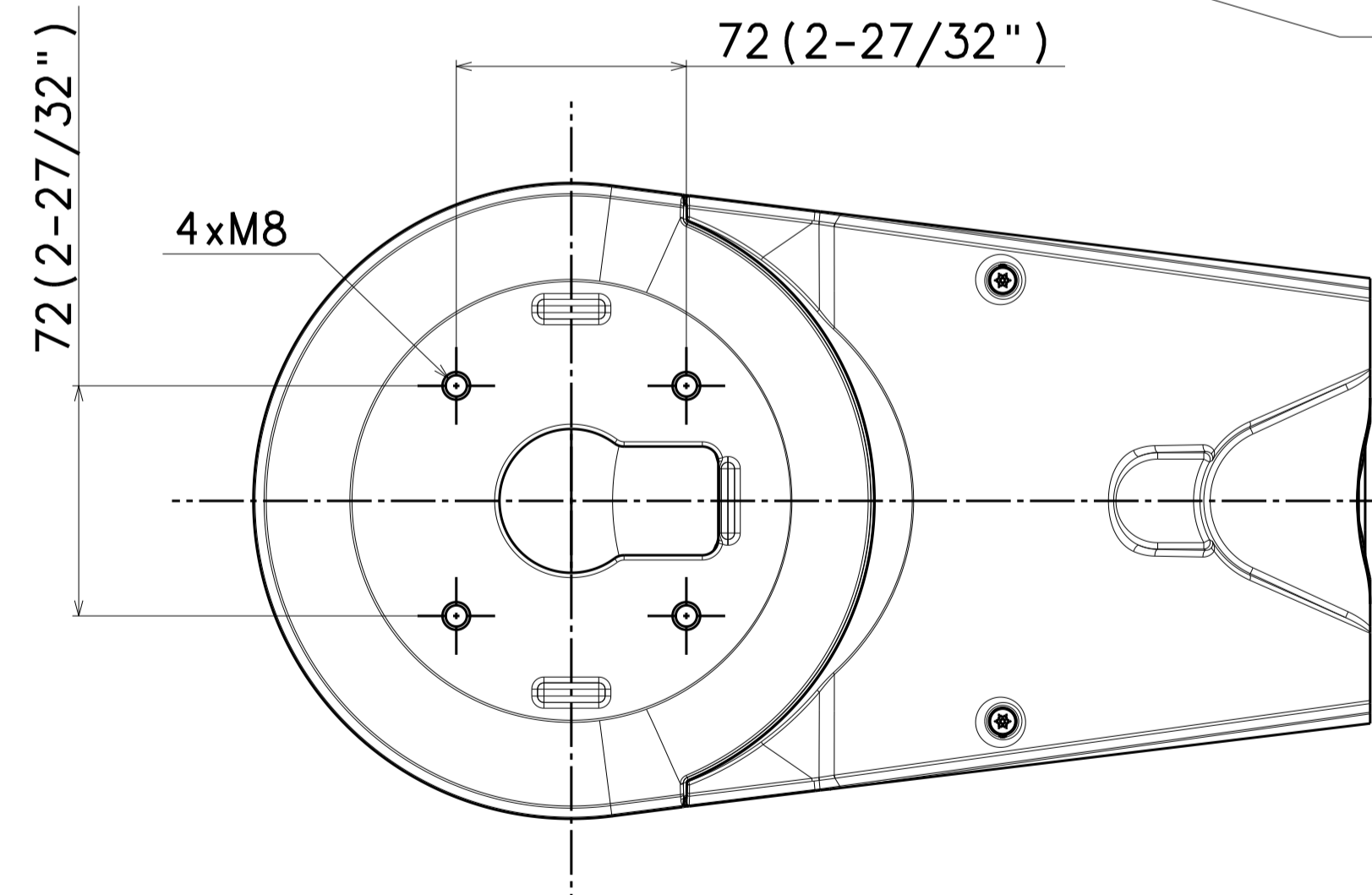
Without Top cover



カメラ取付基準
Camera mounting standards



Sec A-A



接続管用めねじ
Cap for the female thread for the conduit
JIS C 8305 (電線管ねじ) のCTG22、または
JIS B 0202 (管用平行ねじ) のG3/4に対応しています。
The female thread for conduit is compliant with
ANSI NPSM (parallel pipe threads) 3/4 or
ISO 228-1 (parallel pipe threads) G3/4.

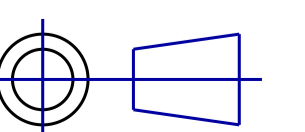
Without Bottom cover

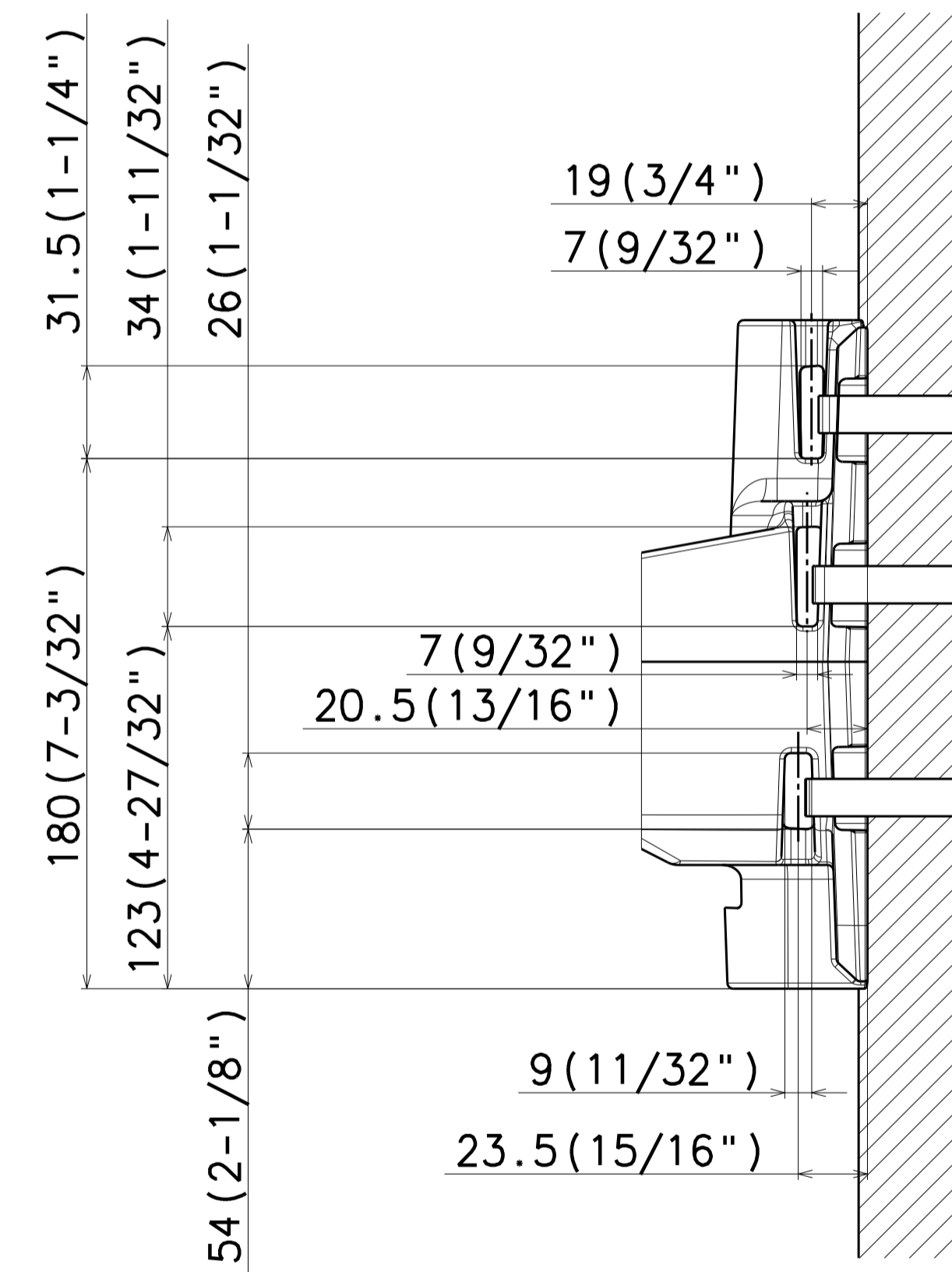
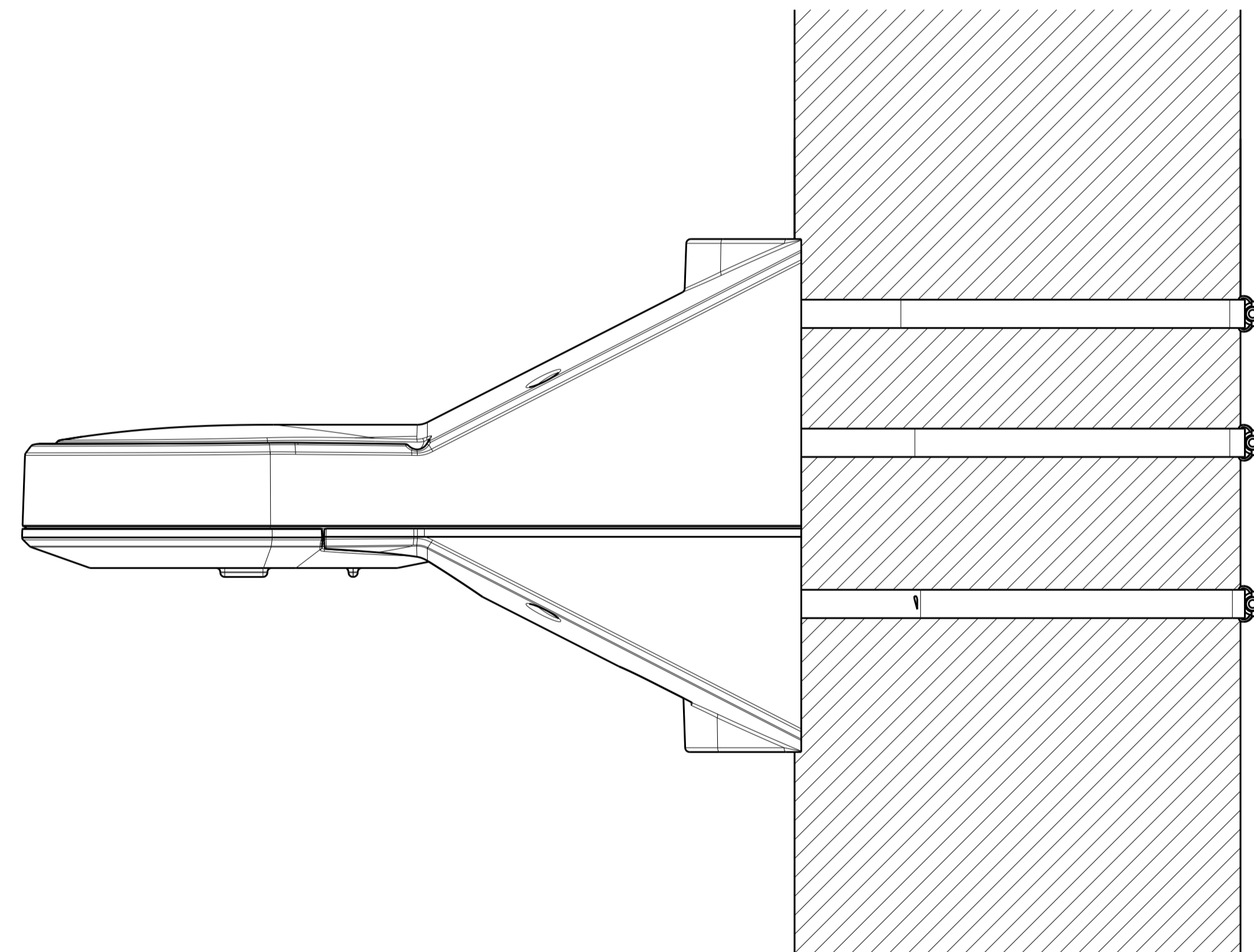
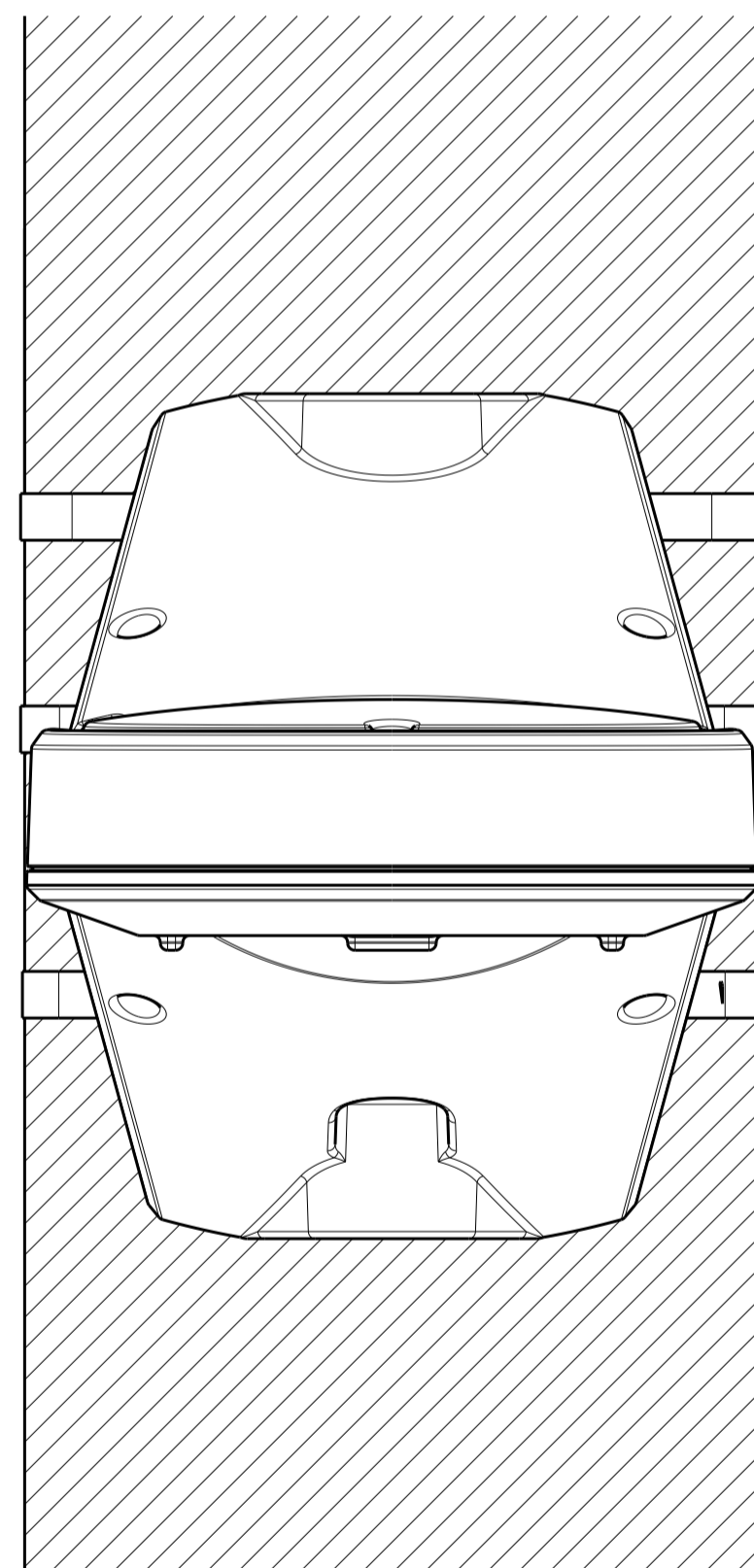
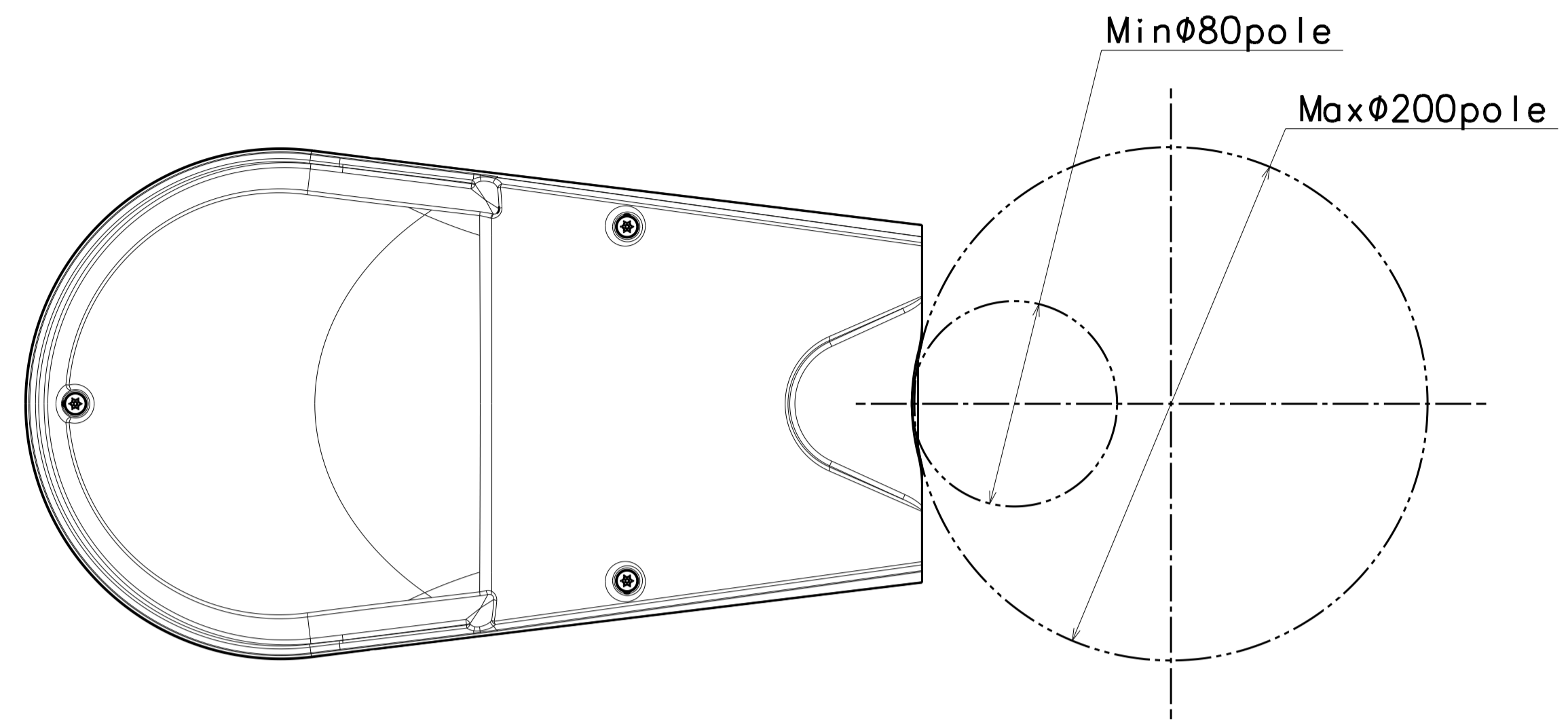
Model number	
WV-QWL503-G	
WV-QWL503-B	
WV-QWL503S-G	
WV-QWL503S-B	

	投影面積/Projected area
正面図/Front-view	0.037 (m ²)
側面図/Side-view	0.037 (m ²)
平面図/Top-view	0.058 (m ²)

Mass : Approx. 3 kg {6.62 lbs}
(Including fixing band 170 g {0.38 lbs})

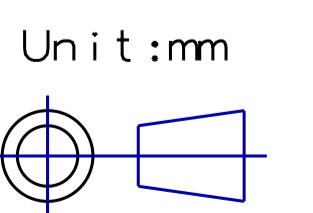
Unit:mm





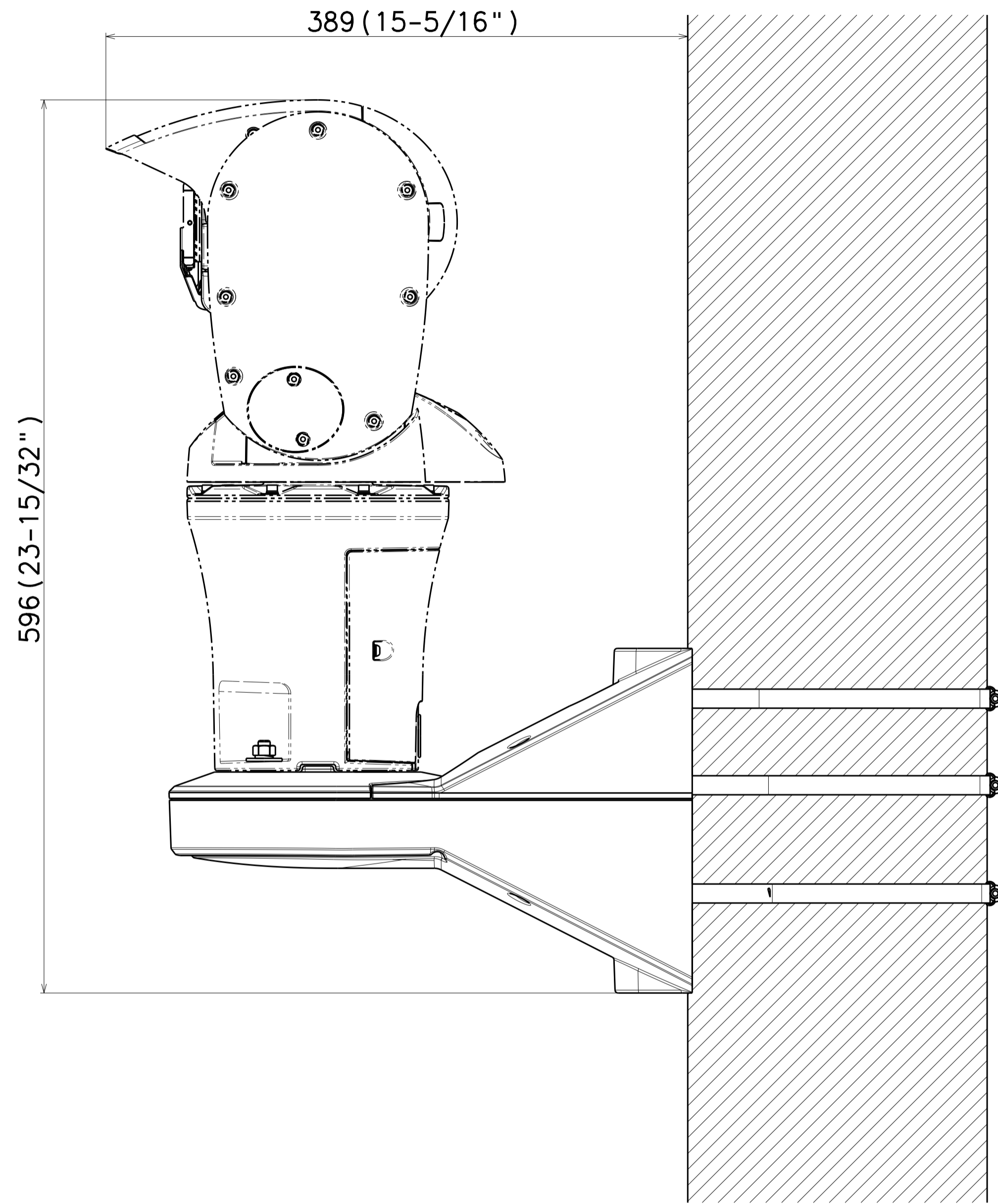
Fixing bands hole size

Model number
WV-QWL503-G
WV-QWL503-B
WV-QWL503S-G
WV-QWL503S-B

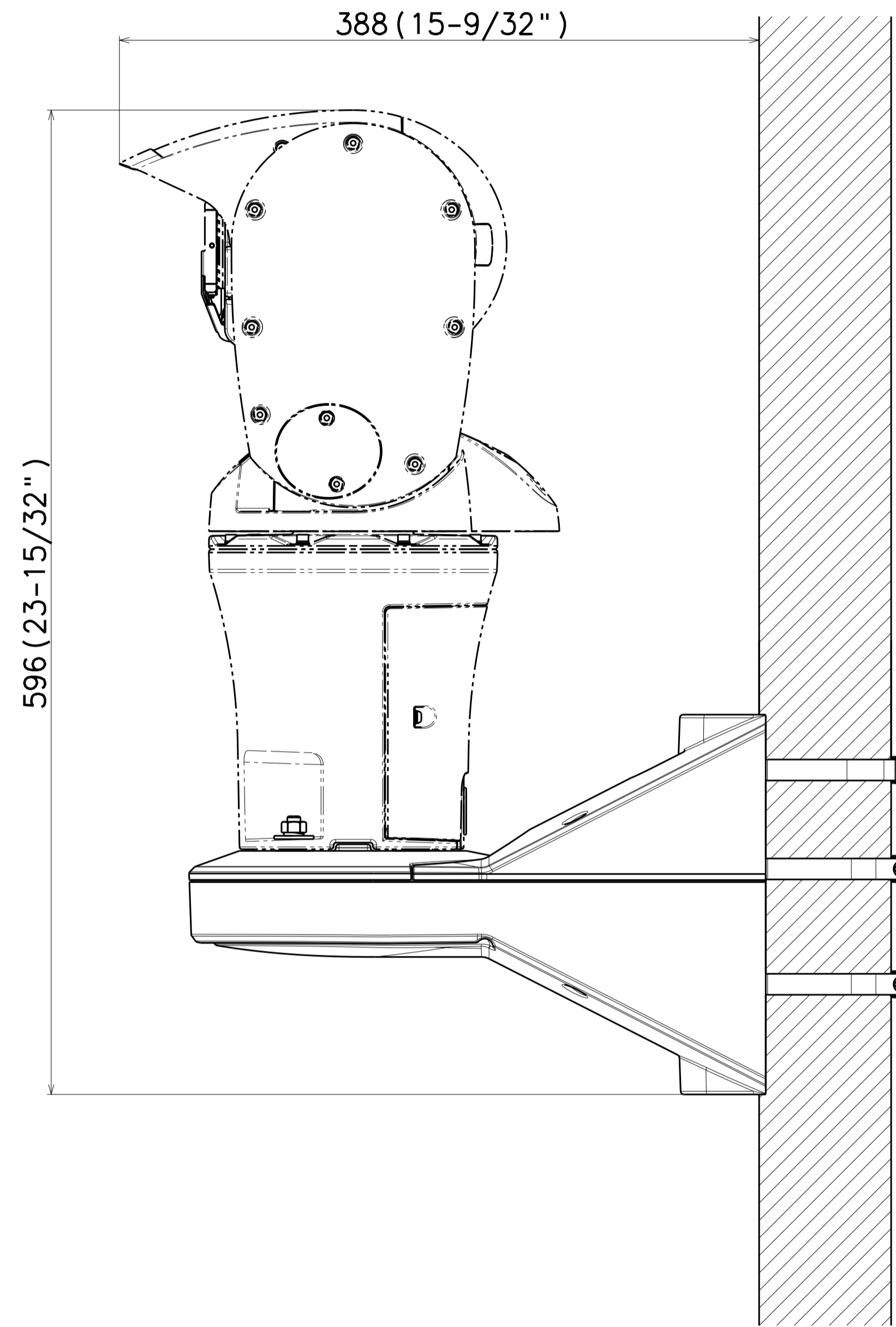


カメラとの組み合わせ例
Example of combination with a camera

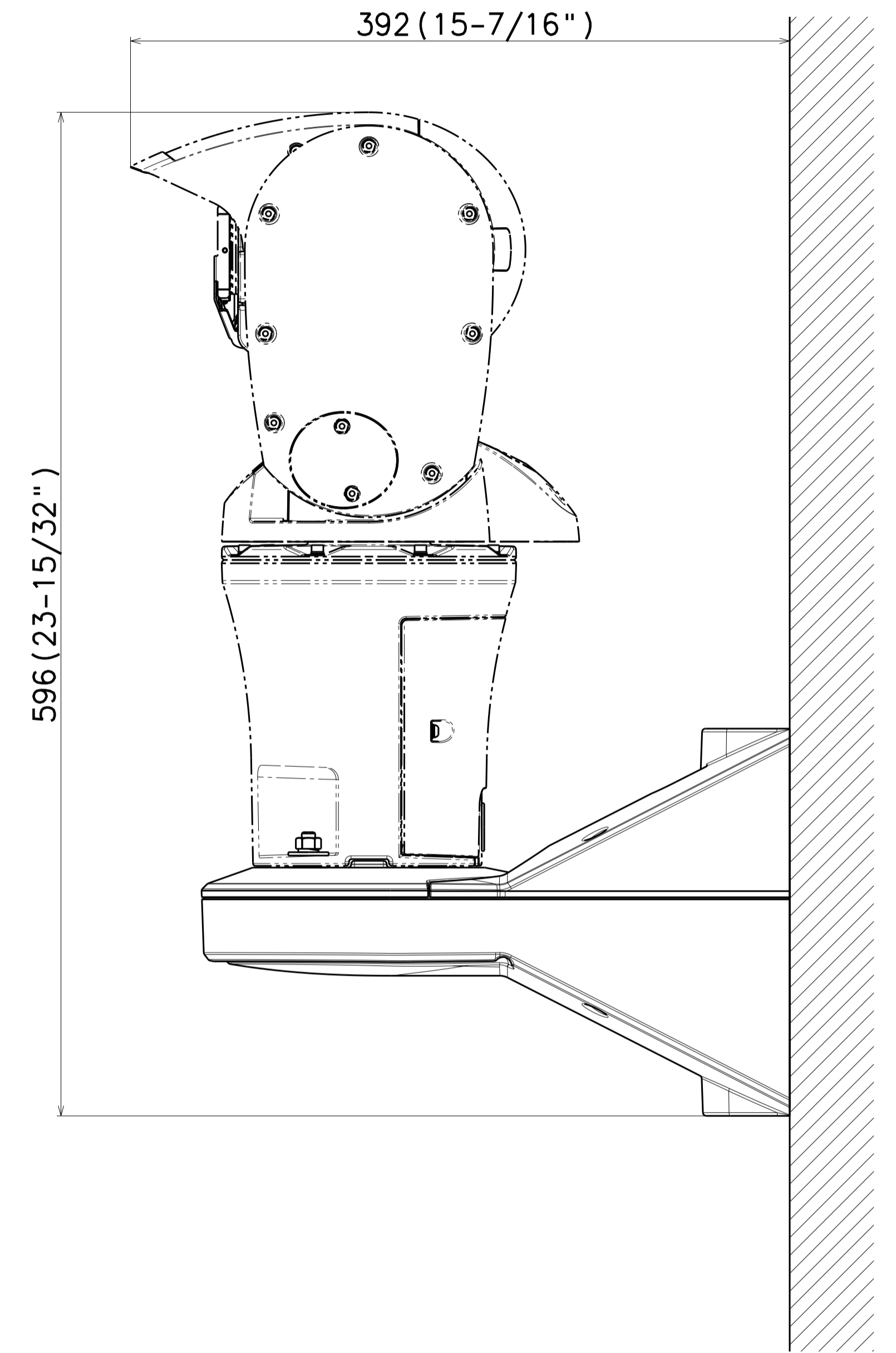
直立/Upright



With pole (Φ200pole)



With pole (Φ80pole)



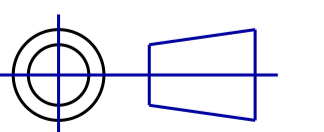
Wall mounting

Attach to WV-X67***-***

	投影面積/Projected area
正面図/Front-view	0.100 (m ²)
側面図/Side-view	0.109 (m ²)

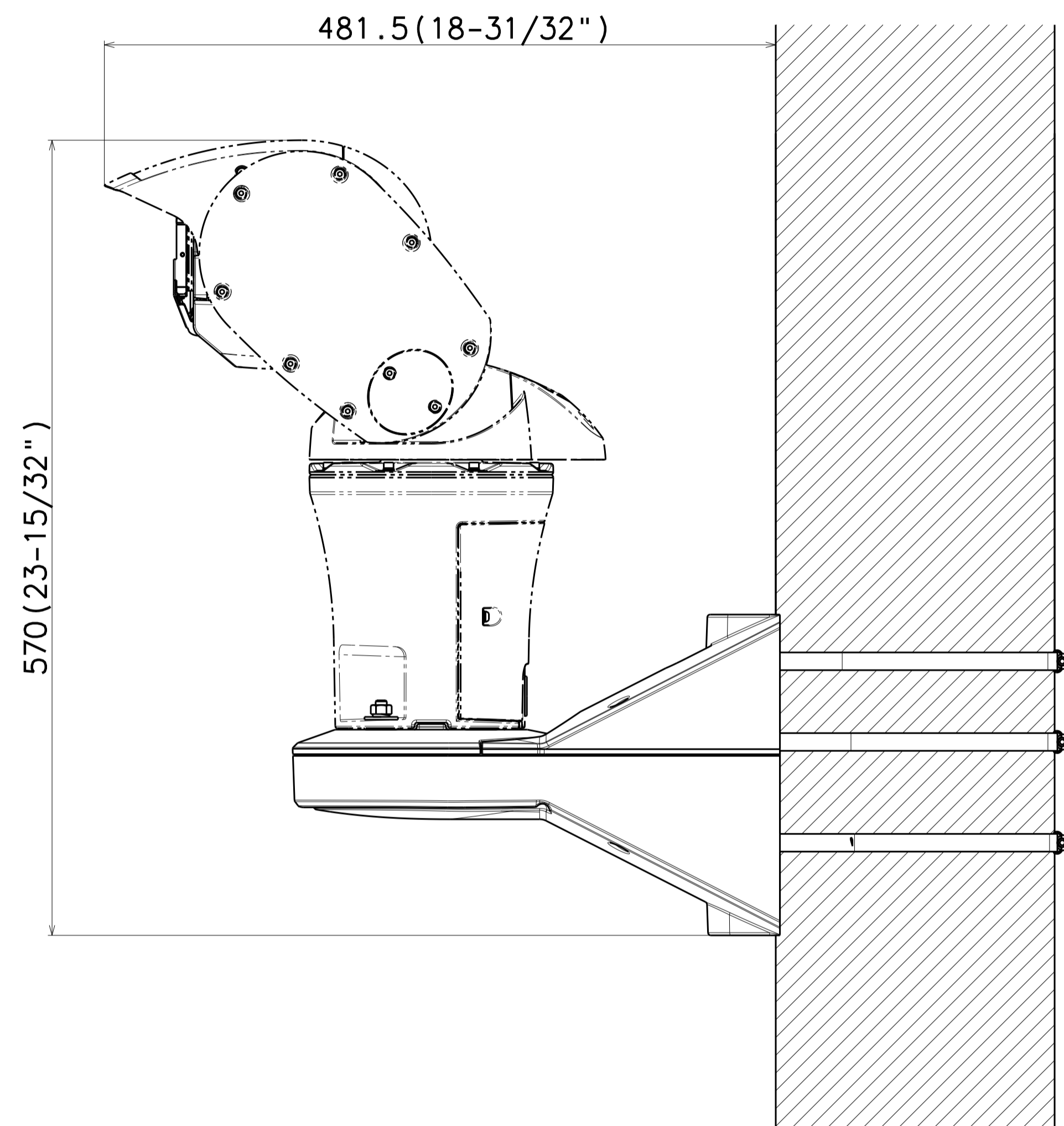
Model number
WV-QWL503-G
WV-QWL503-B
WV-QWL503S-G
WV-QWL503S-B

Unit:mm

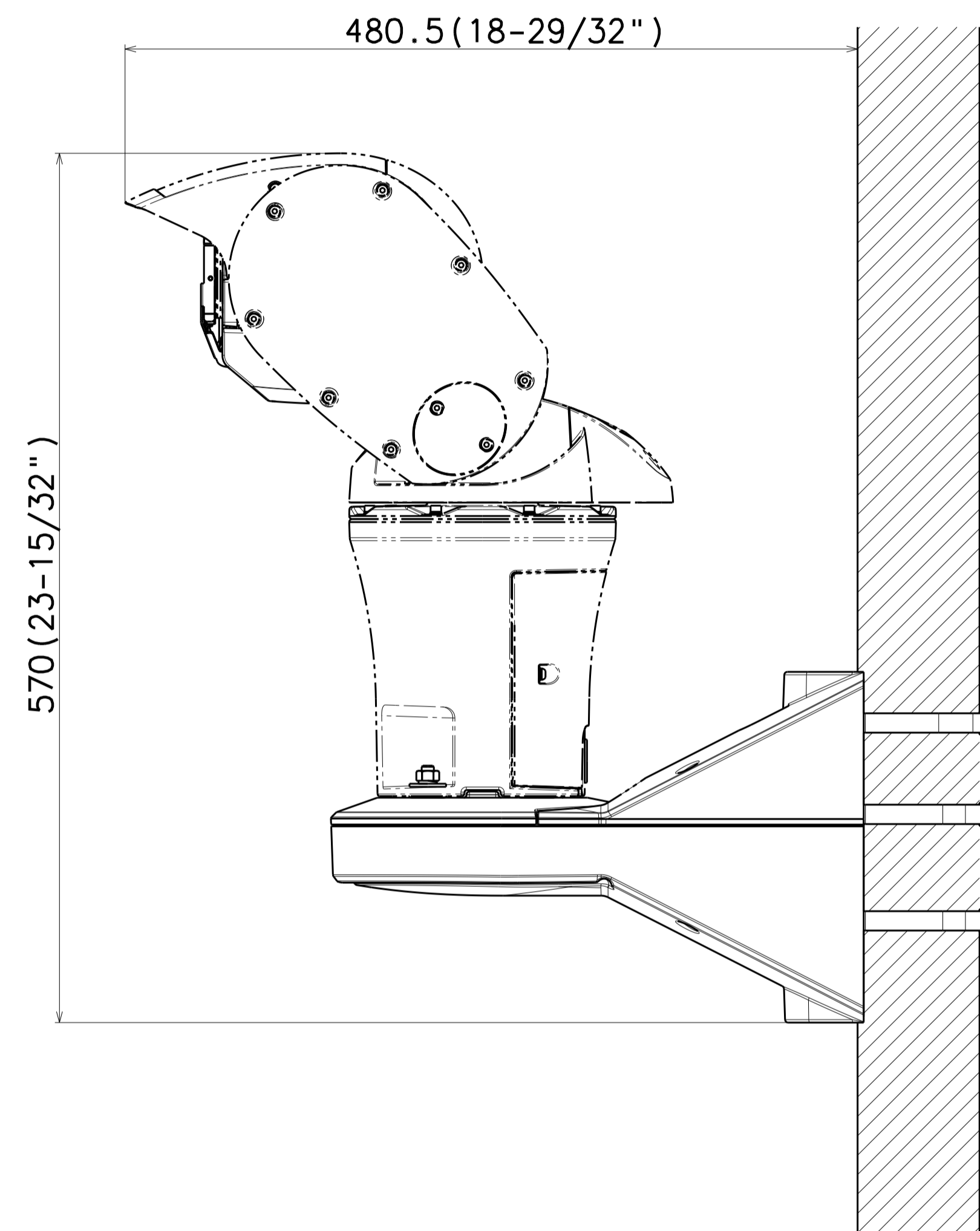


カメラとの組み合わせ例
Example of combination with a camera

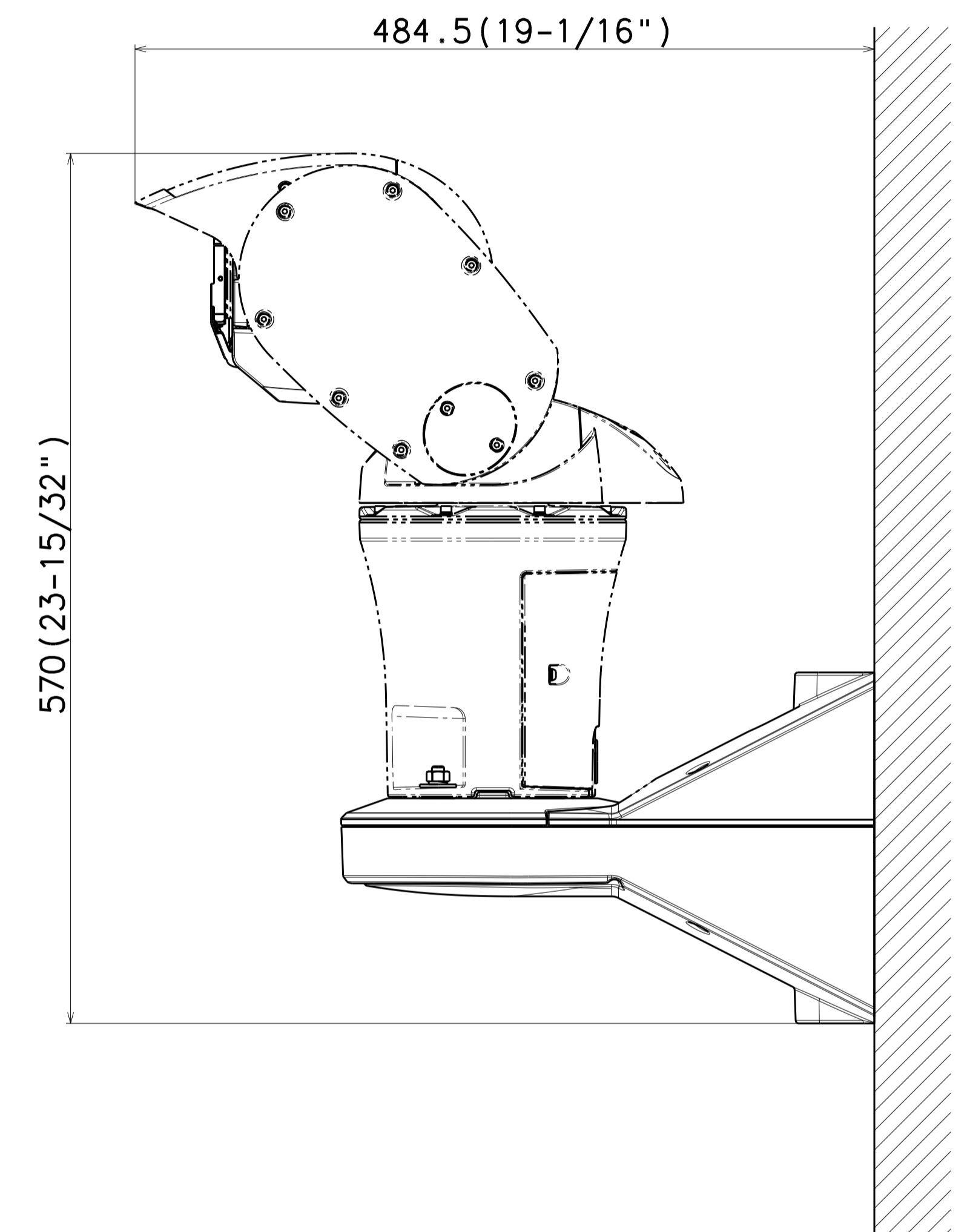
前傾/Forward tilt



With pole (Φ200pole)



With pole (Φ80pole)



Wall mounting

Attach to WV-X67***-***

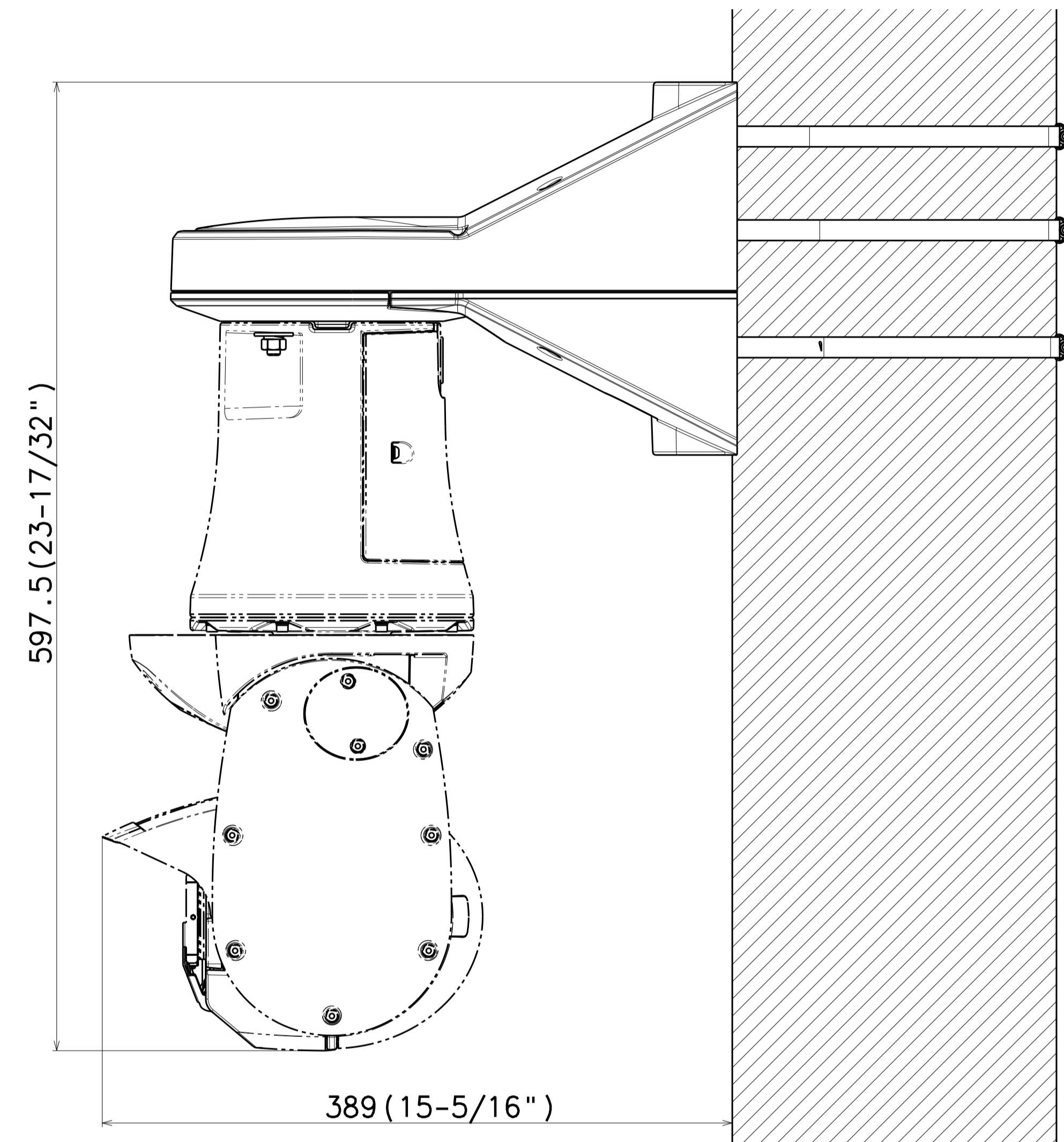
	投影面積/Projected area
正面図/Front-view	0.098 (m ²)
側面図/Side-view	0.110 (m ²)

Model number
WV-QWL503-G
WV-QWL503-B
WV-QWL503S-G
WV-QWL503S-B

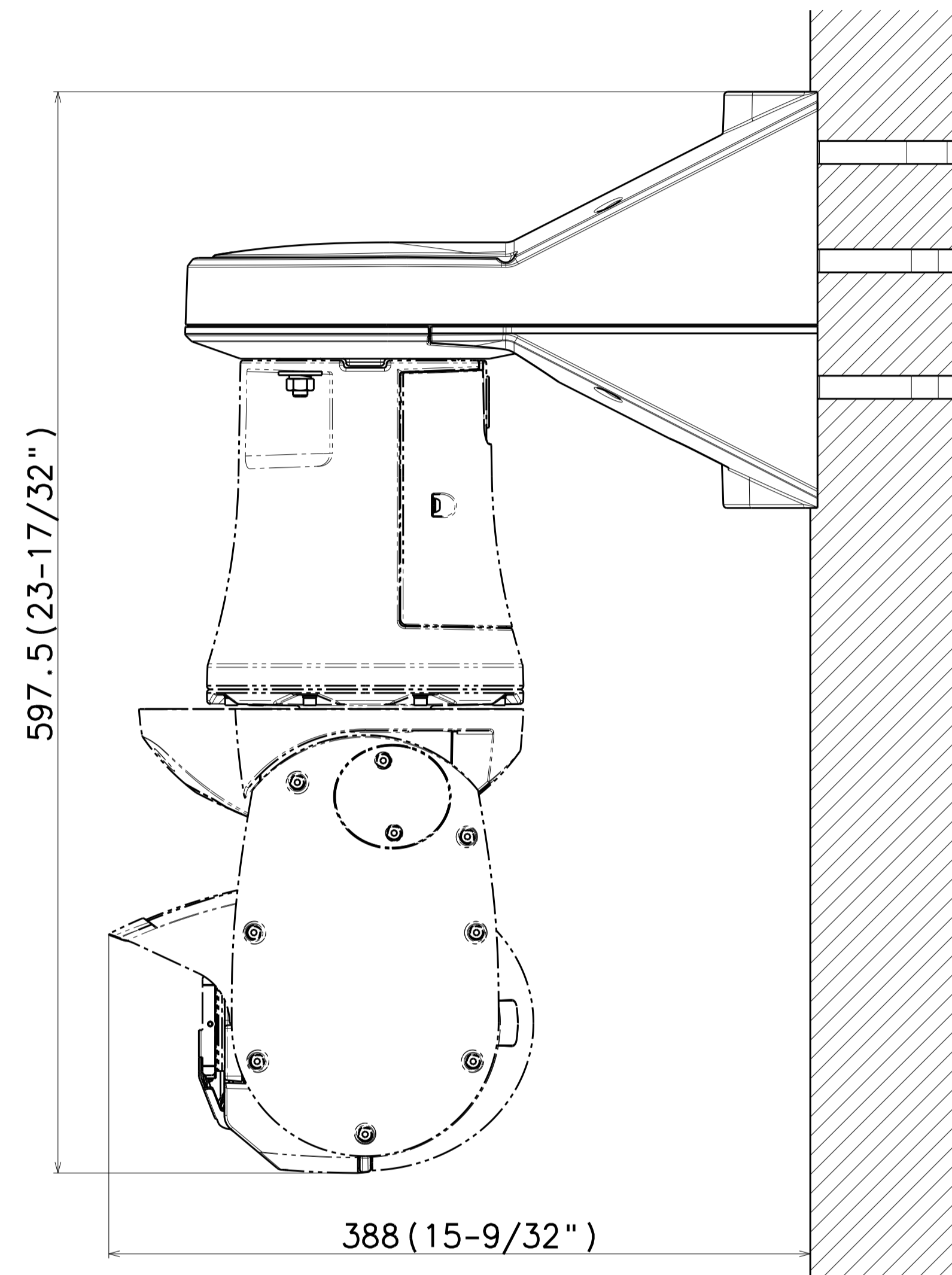
Unit:mm

カメラとの組み合わせ例
Example of combination with a camera

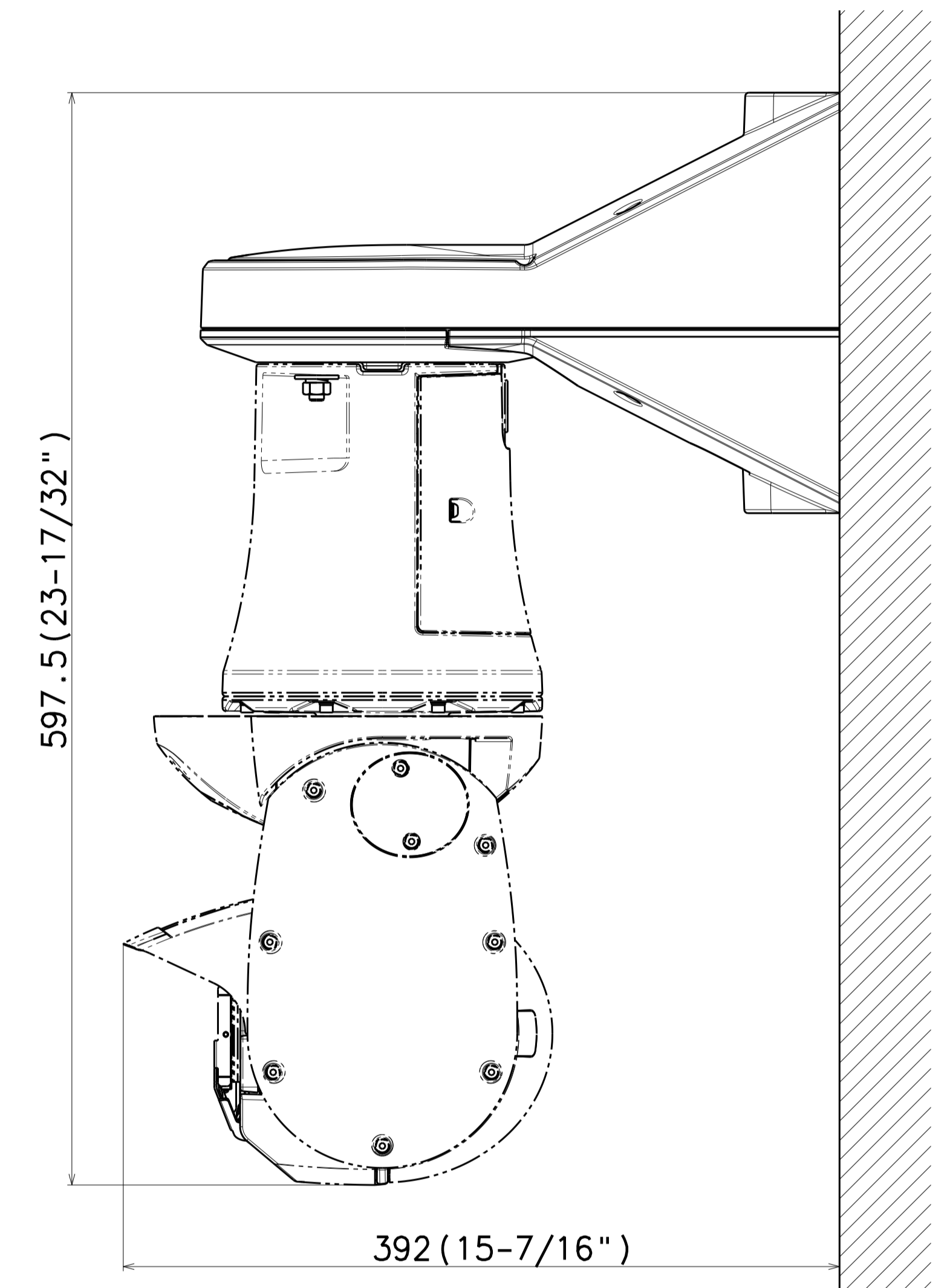
吊り下げ/Hanging



With pole (Φ200pole)



With pole (Φ80pole)



Wall mounting

Attach to WV-X67***-***

	投影面積/Projected area
正面図/Front-view	0.100 (m ²)
側面図/Side-view	0.108 (m ²)

Model number
WV-QWL503-G
WV-QWL503-B
WV-QWL503S-G
WV-QWL503S-B

Unit:mm