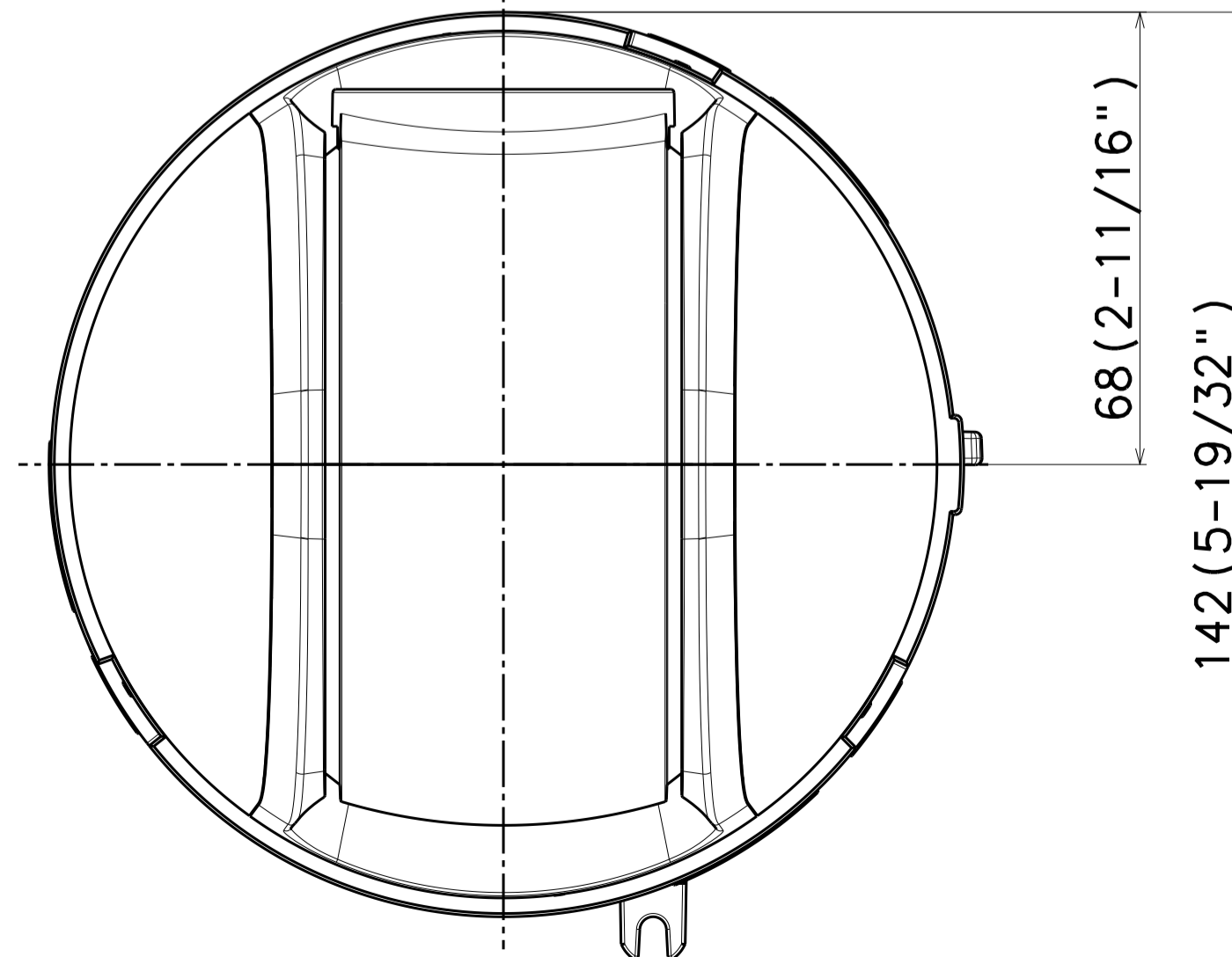
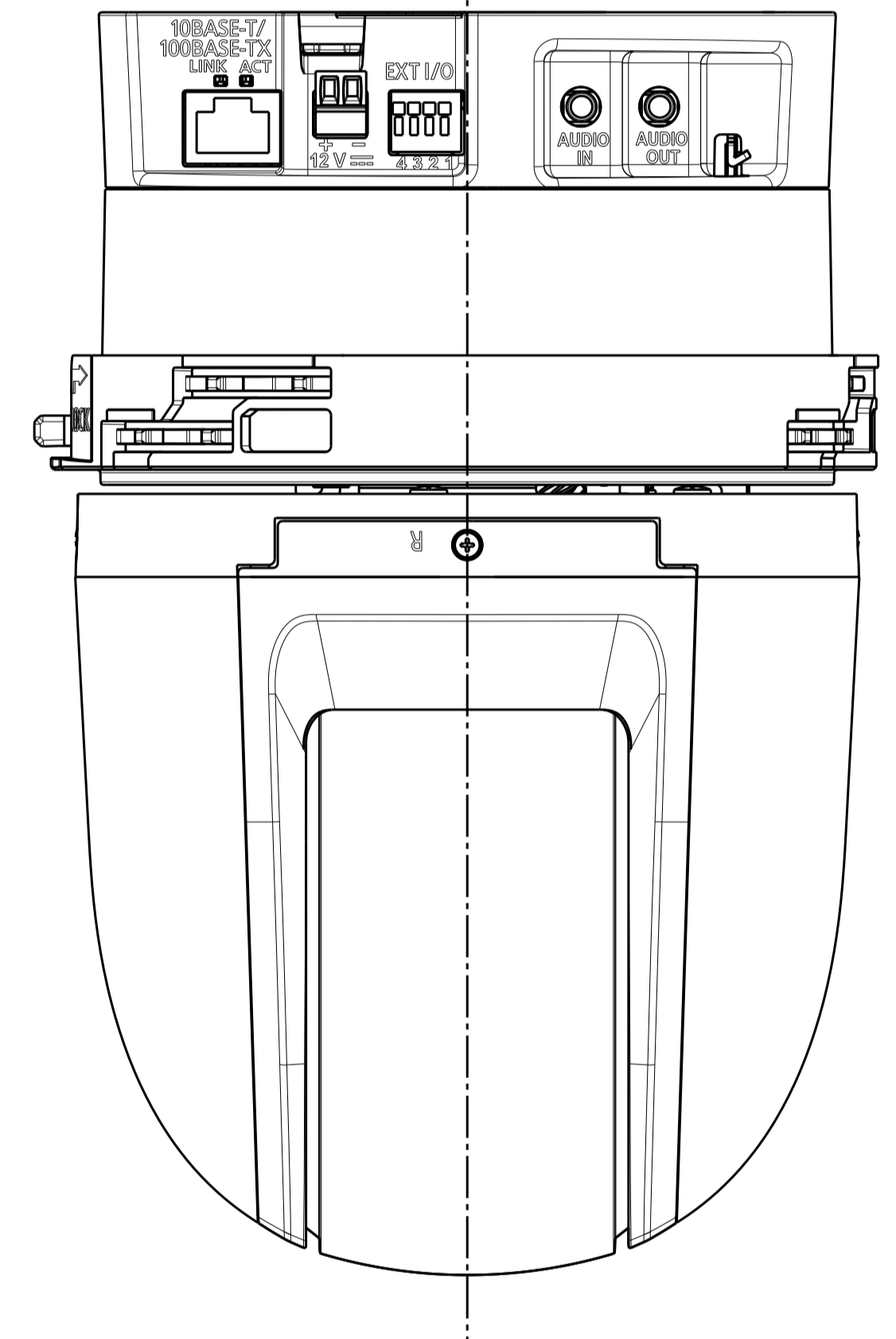
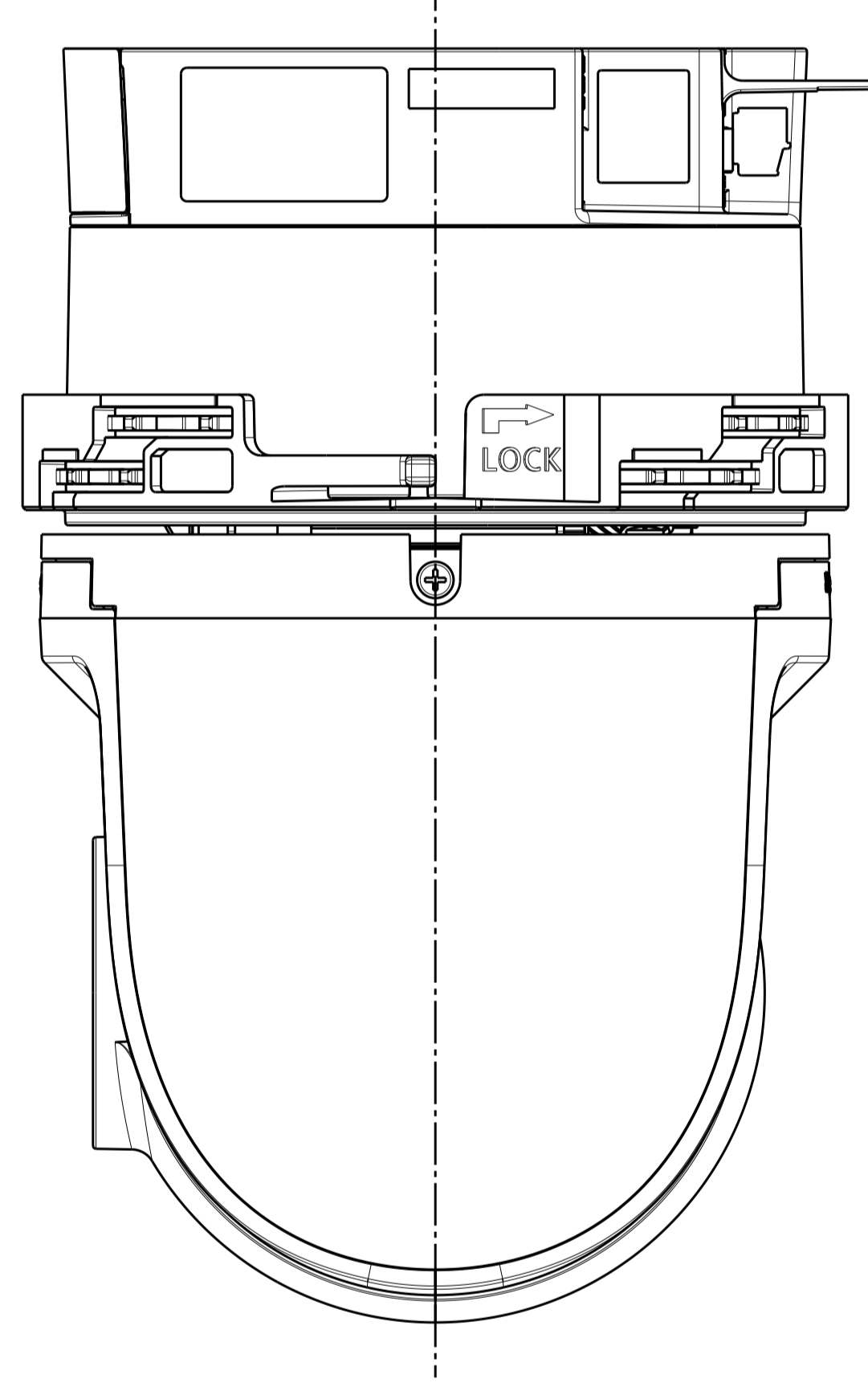
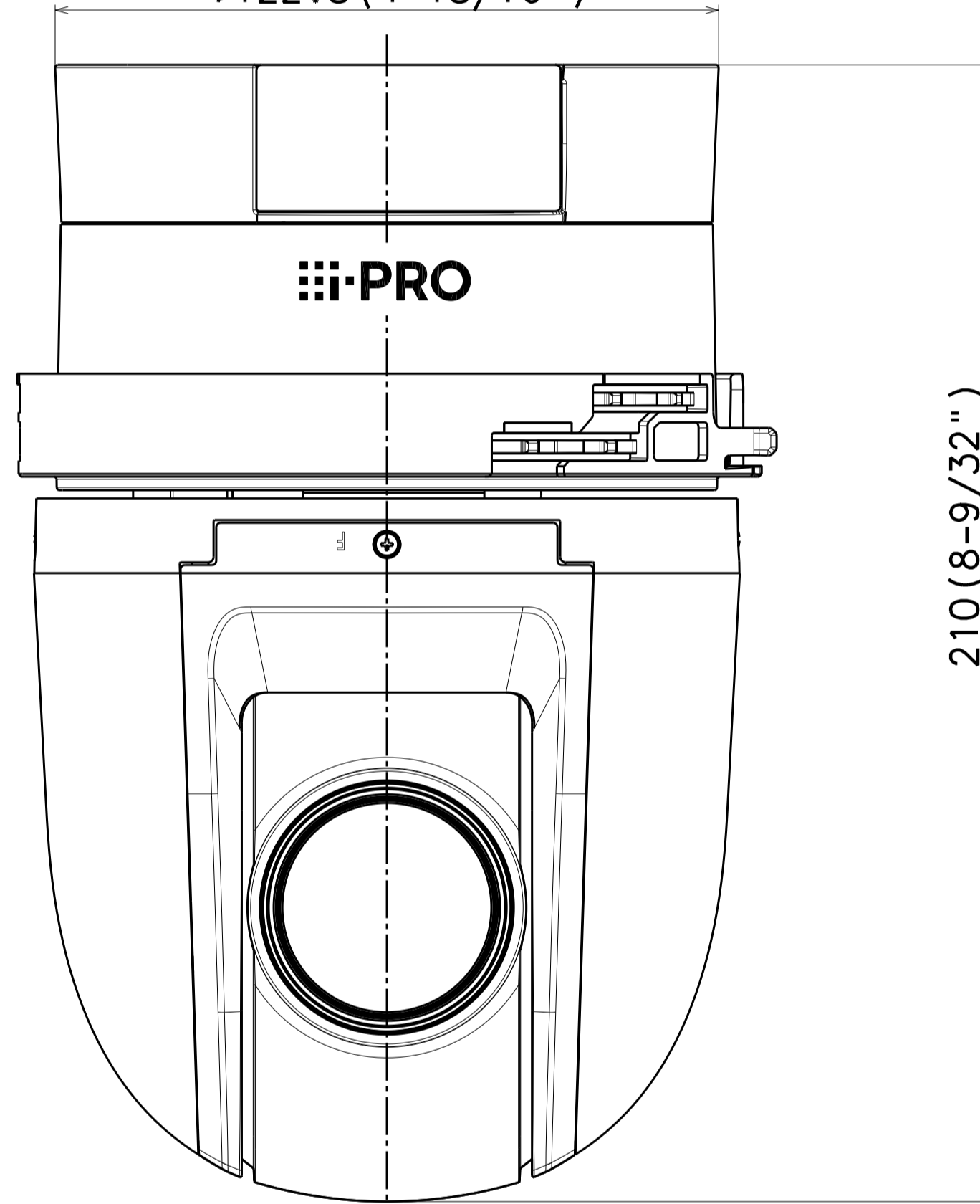
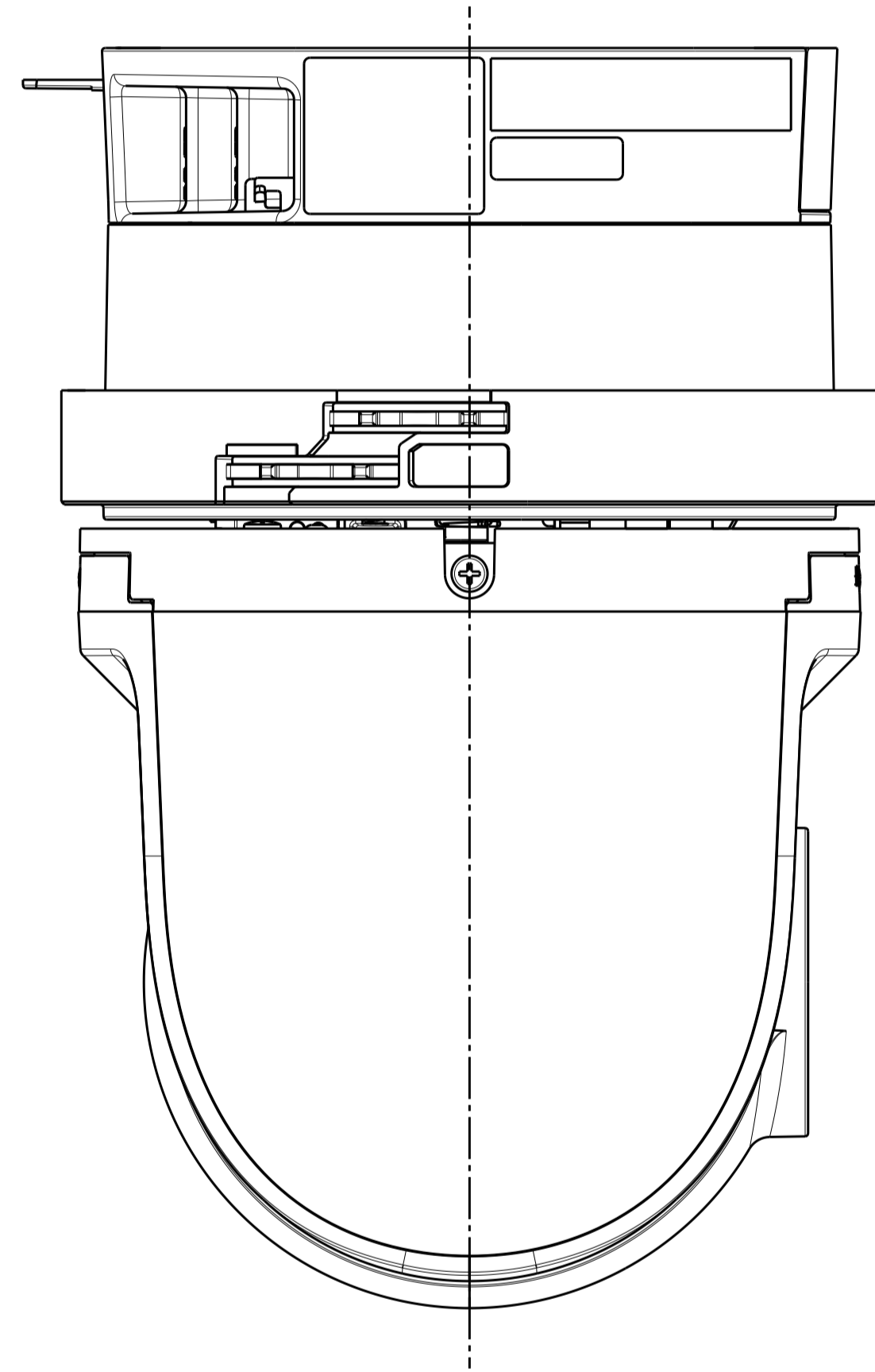
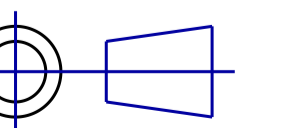


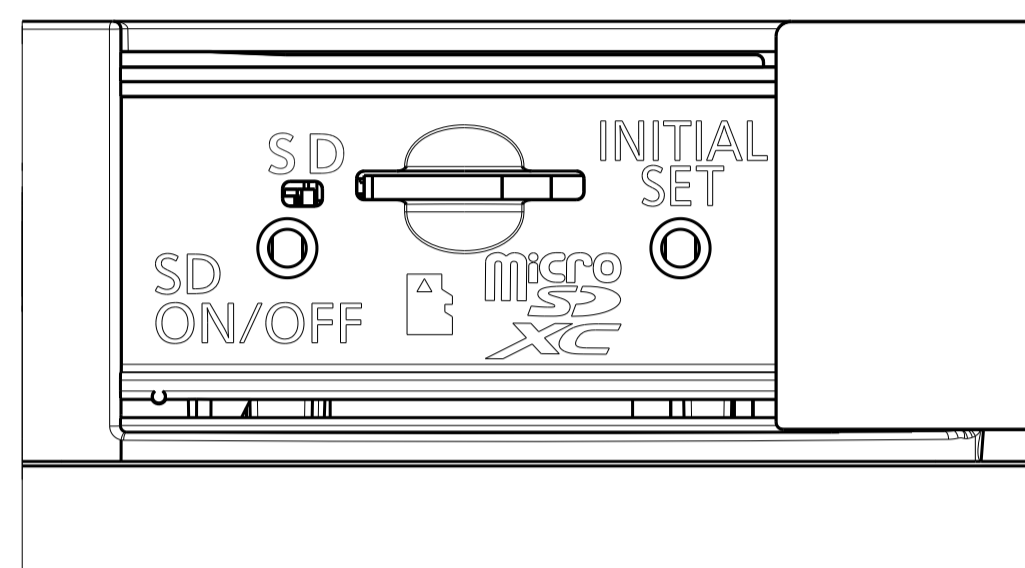
Ø122.5 (4-13/16")



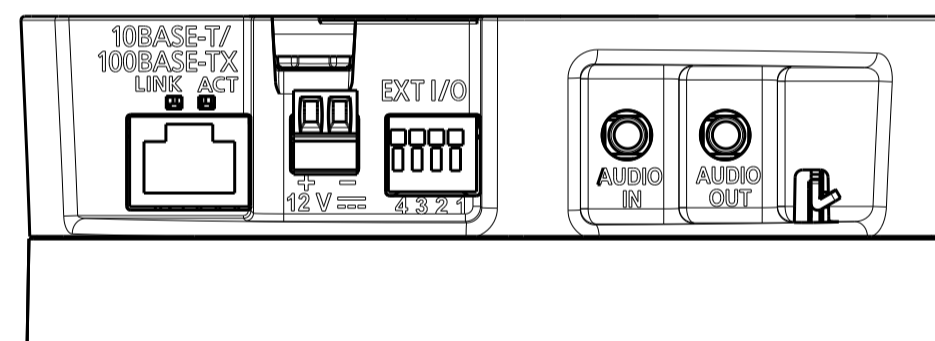
Mass : Approx. 1.5 kg {3.31 lbs}

Unit : mm

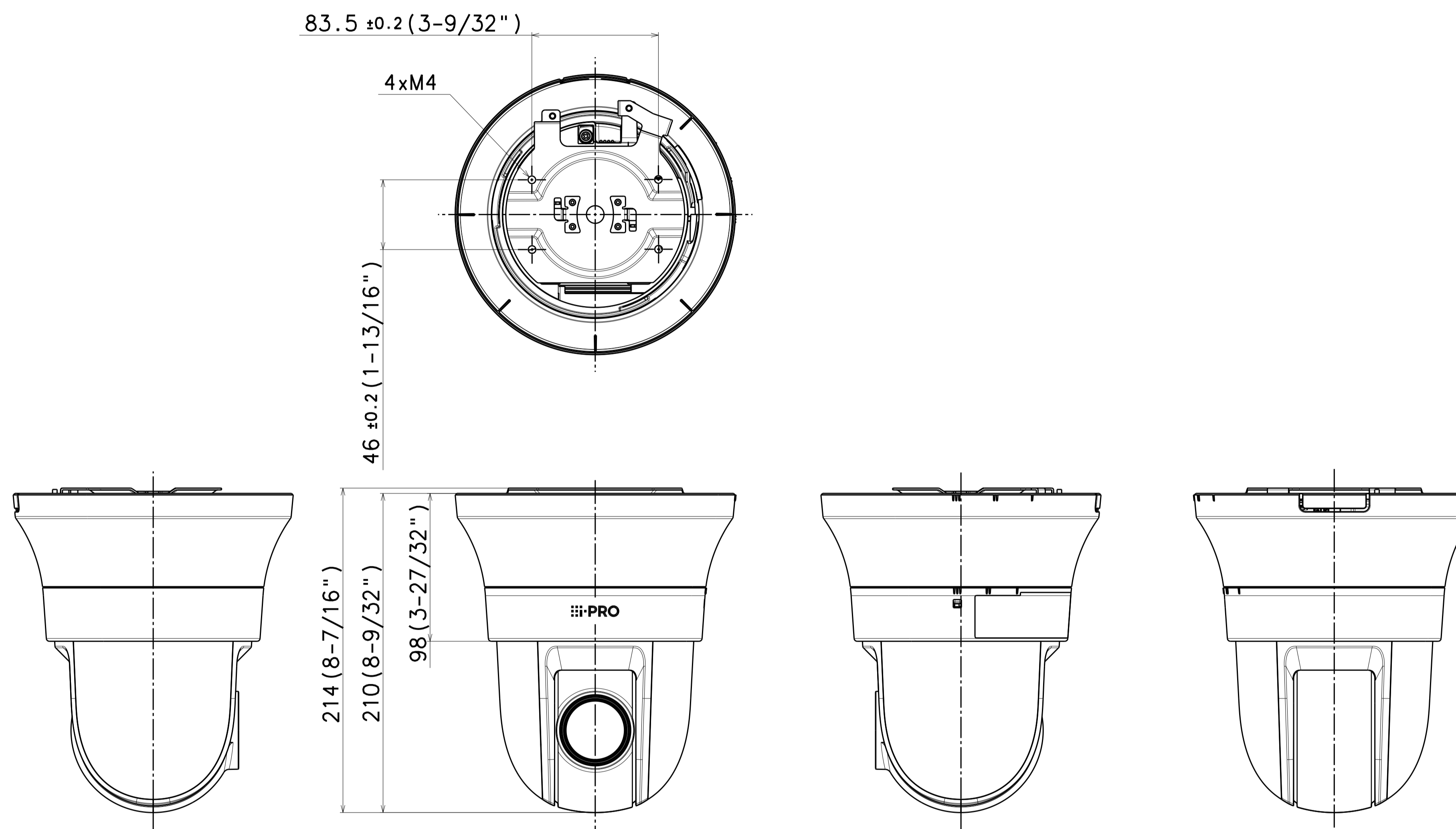




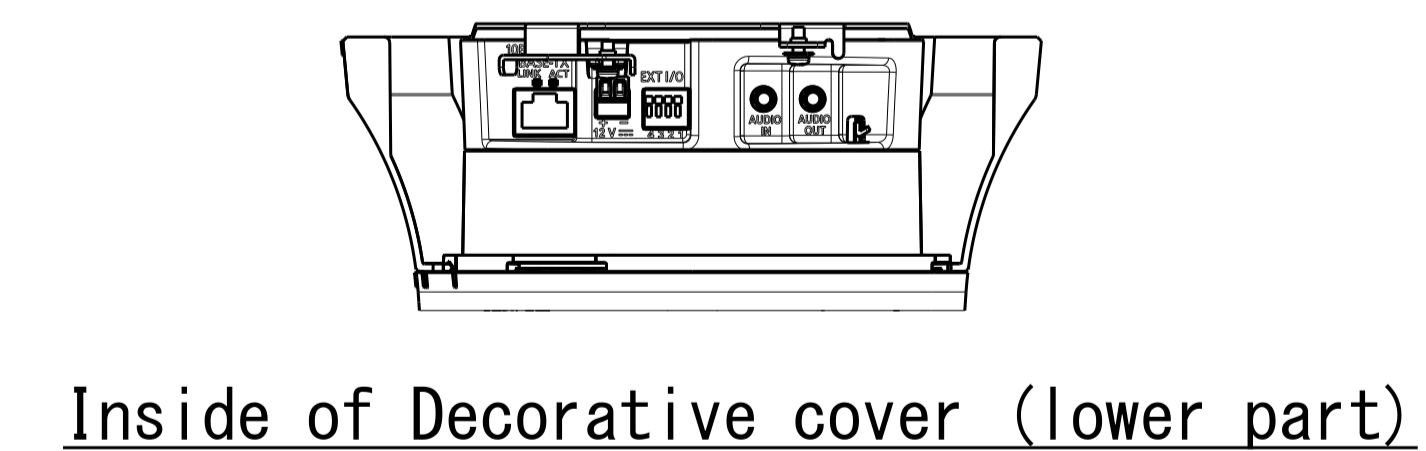
Inside of SD memory card cover
(S=2:1)



Rear details
(S=1:1)

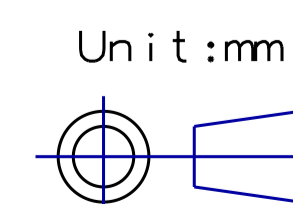


With accessories unit



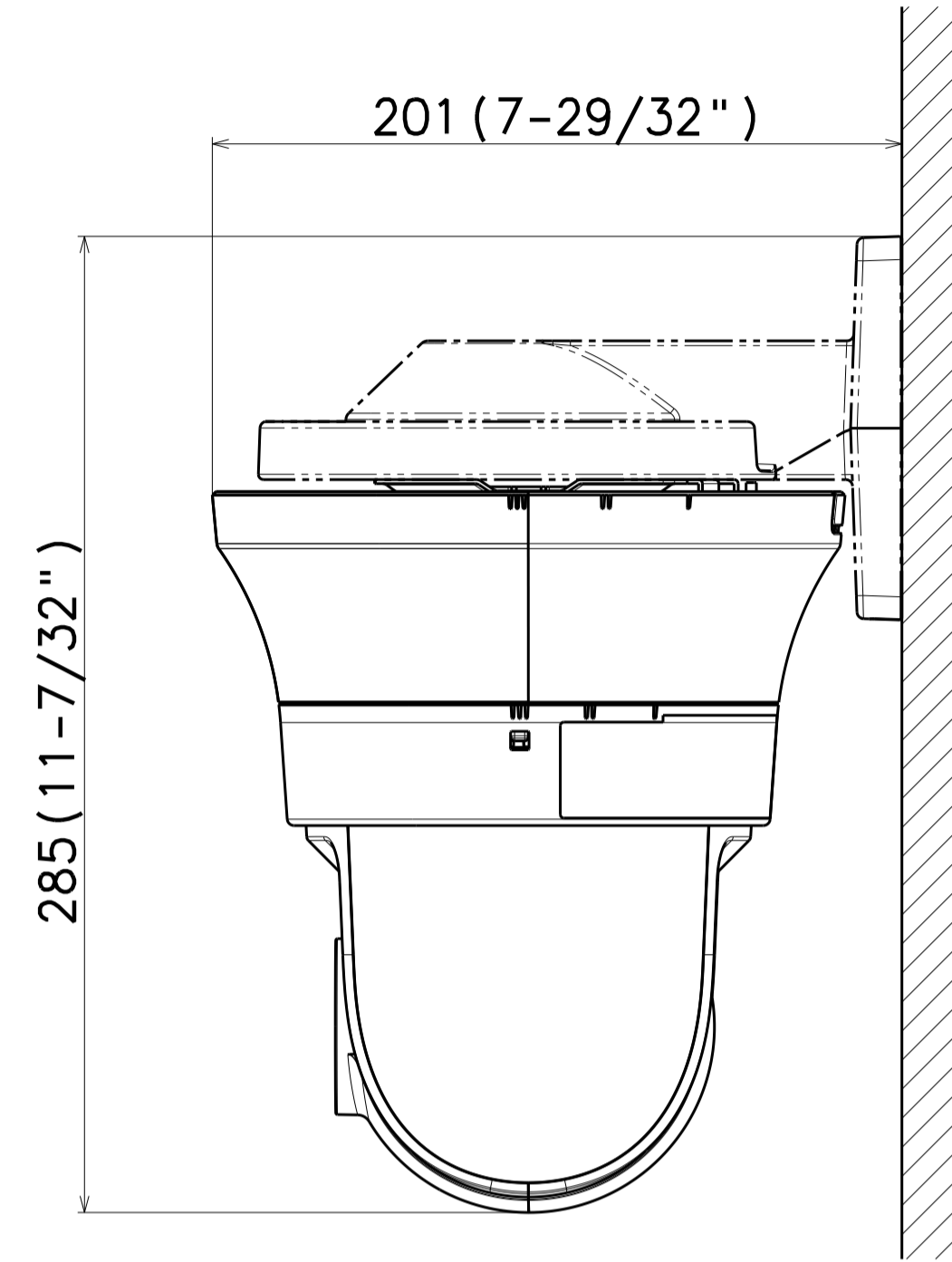
Inside of Decorative cover (lower part)

Mass : Approx. 1.8 kg [3.97 lbs]
(Including accessories unit)

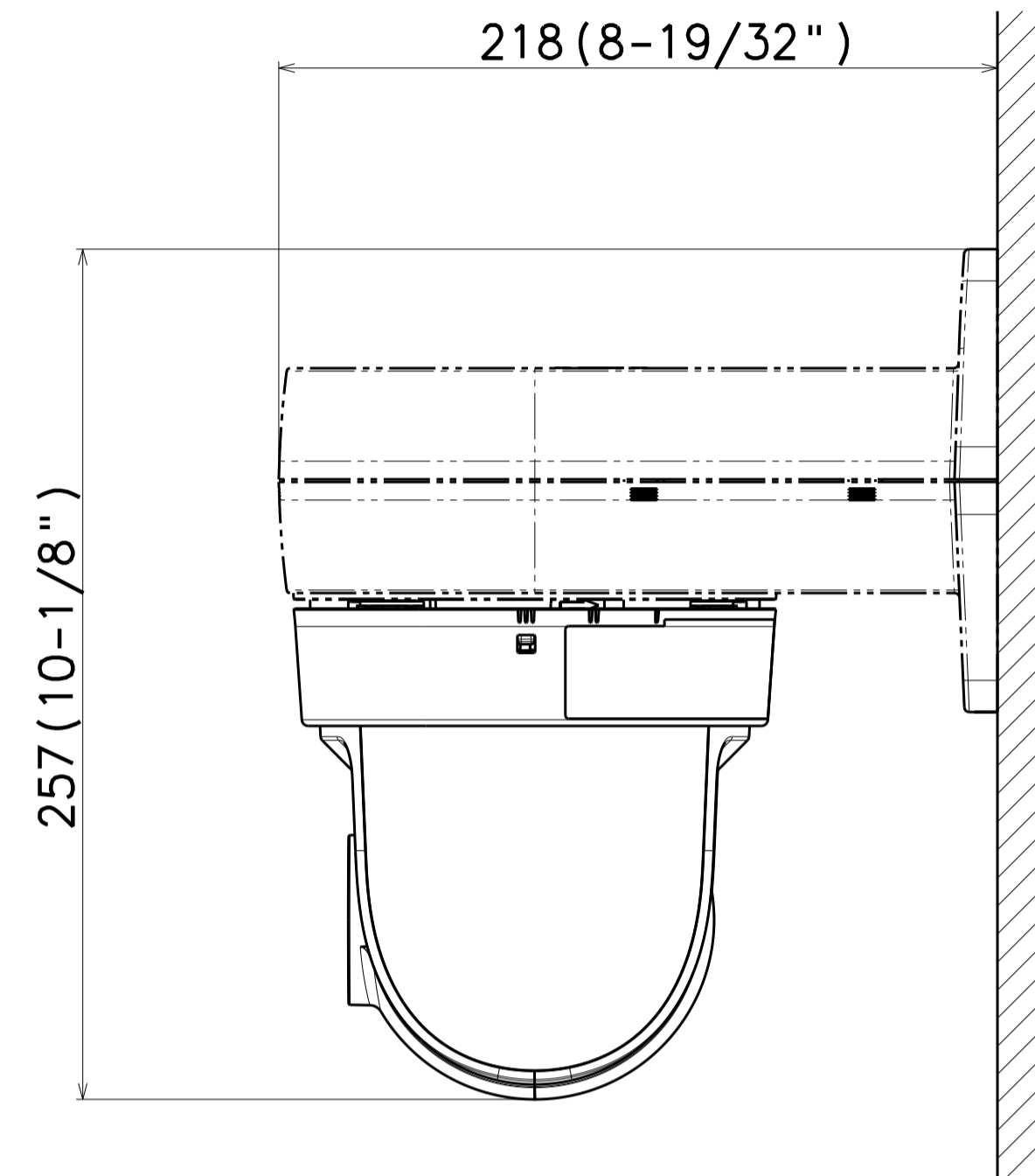


Unit:mm

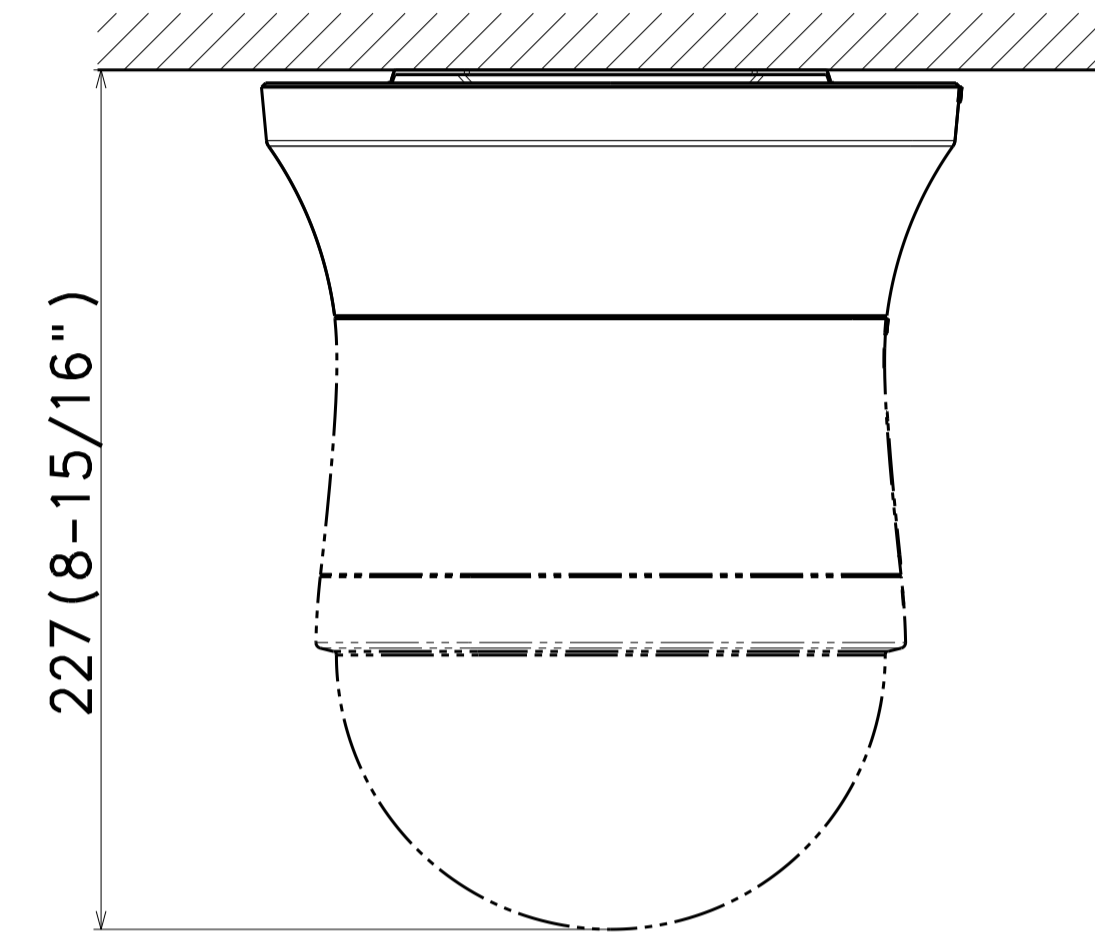
金具との組み合わせ例
Example of combination with bracket



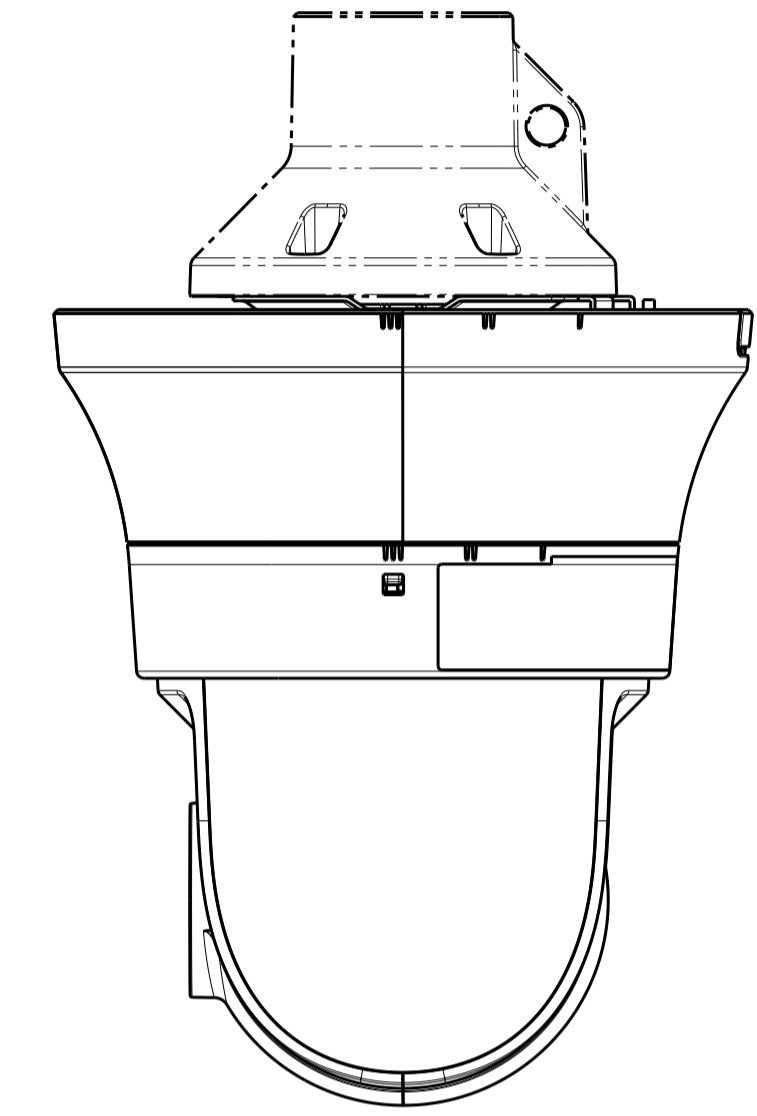
Attach to WV-QWL500**



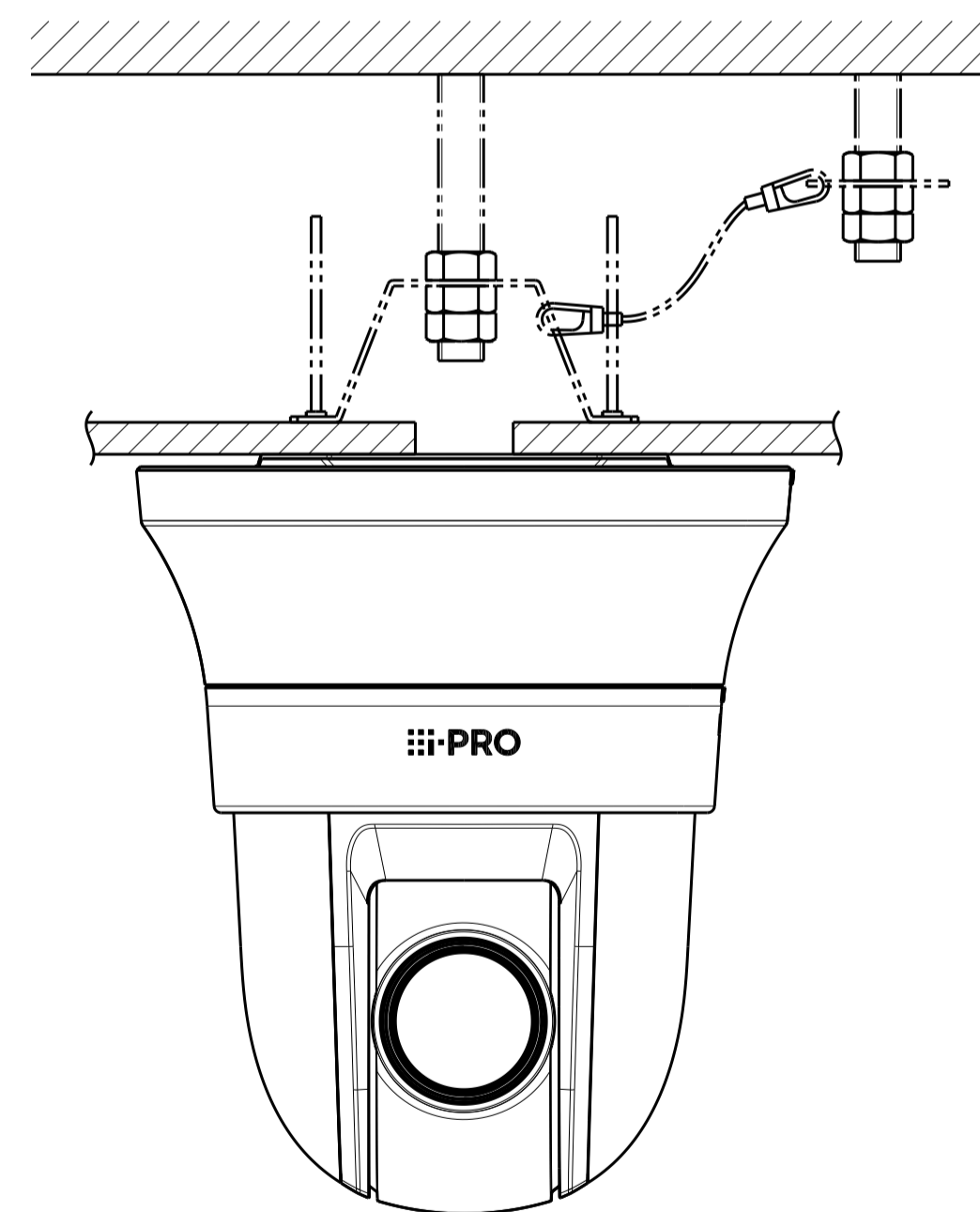
Attach to WV-QWL100**



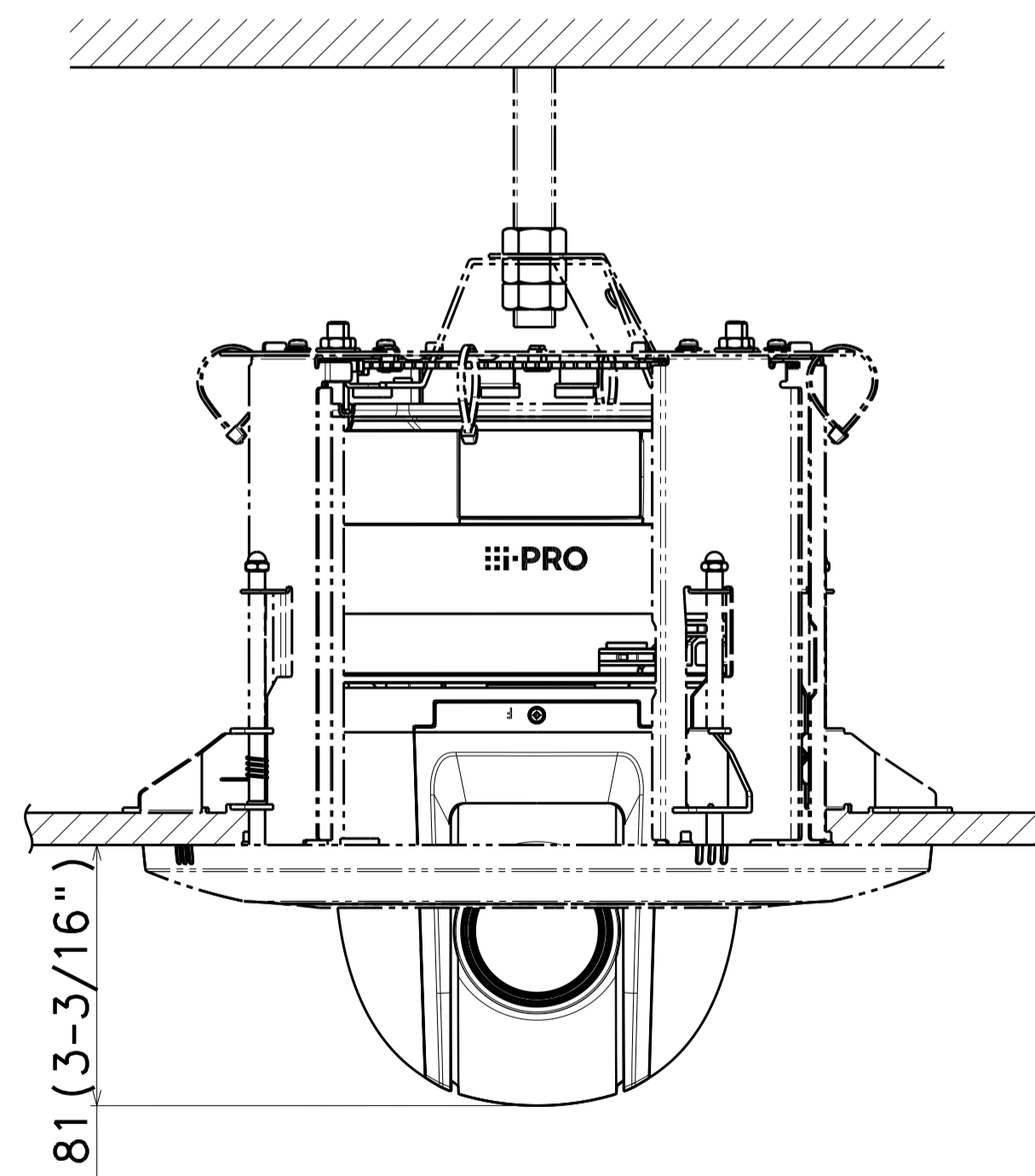
Attach to WV-QDC100**



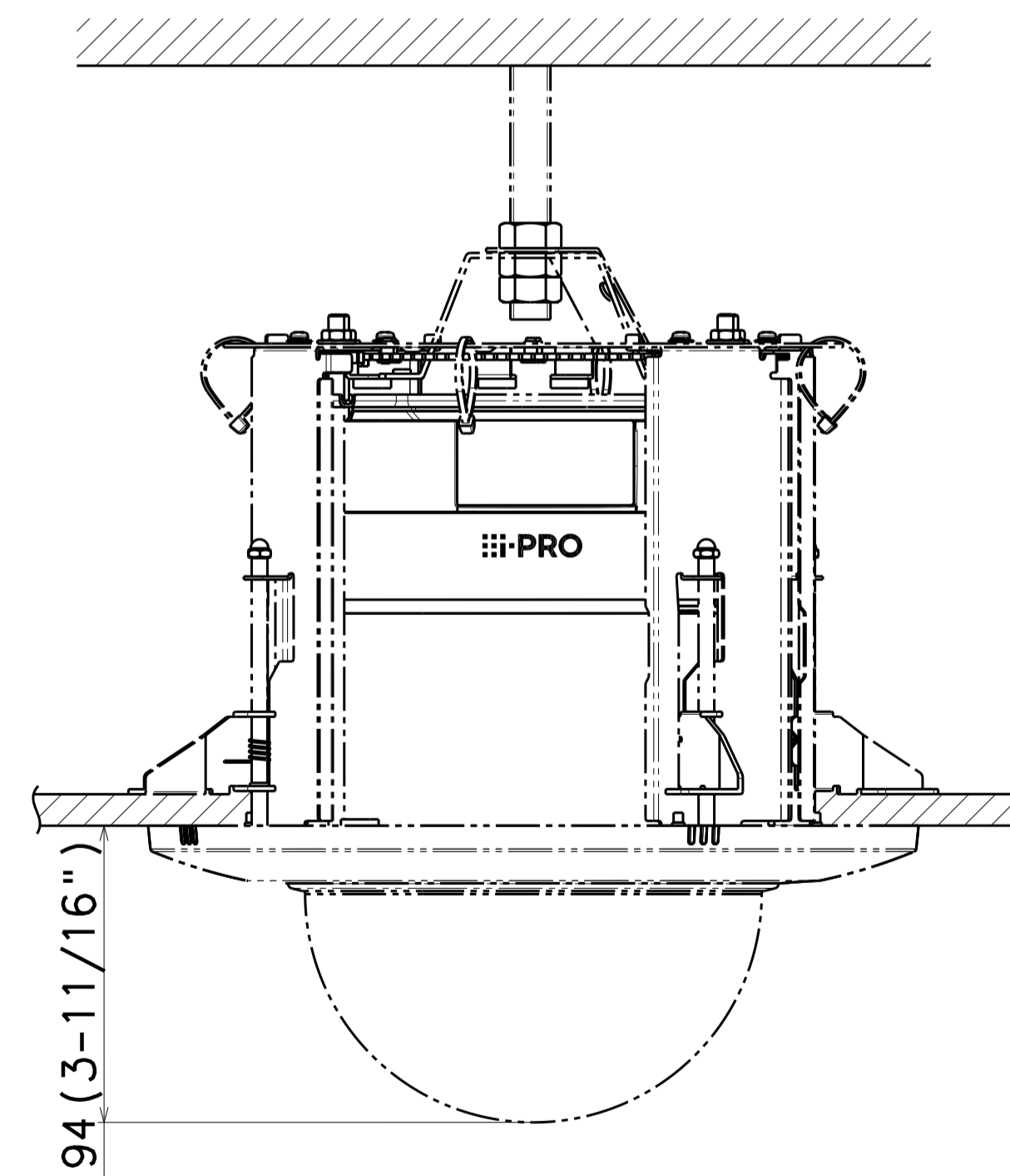
Attach to WV-QCL100**



Attach to WV-Q105A**



Attach to WV-QEM101**



Attach to WV-QEM101** & WV-QDC100**