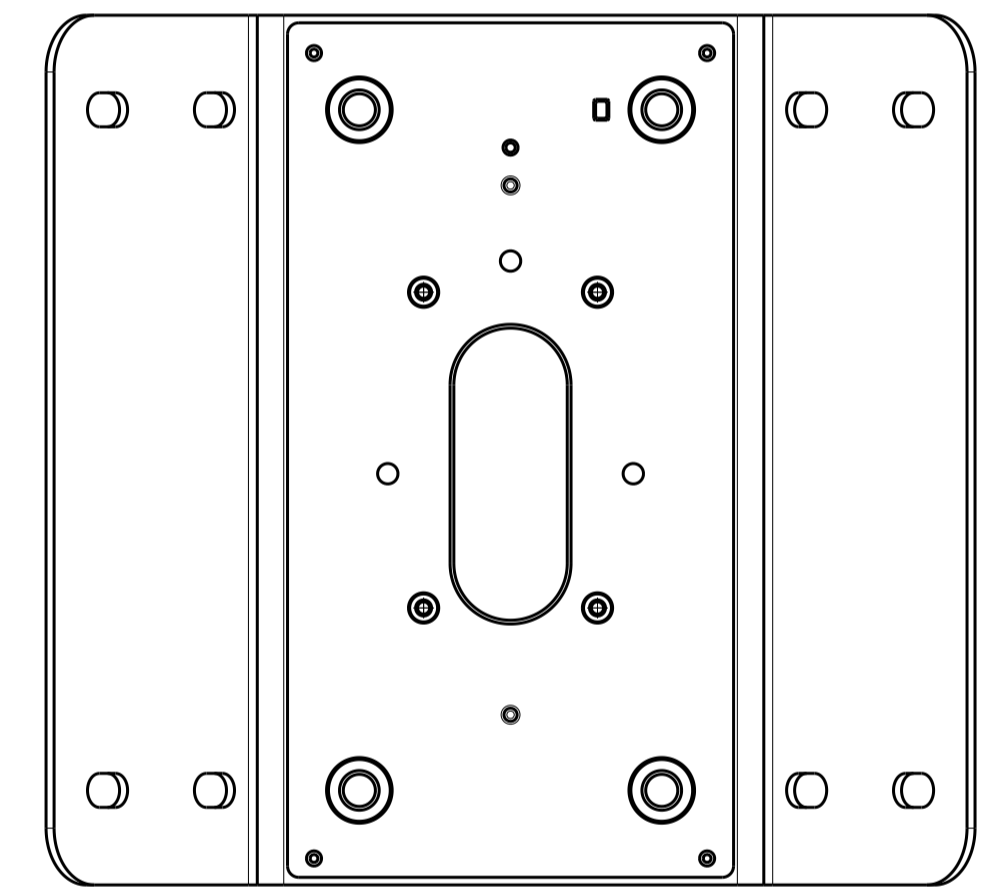
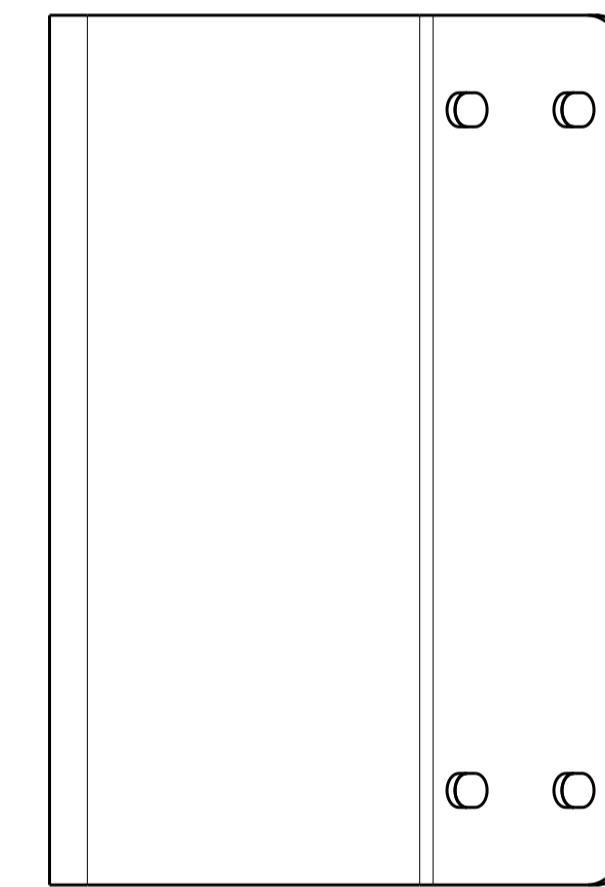
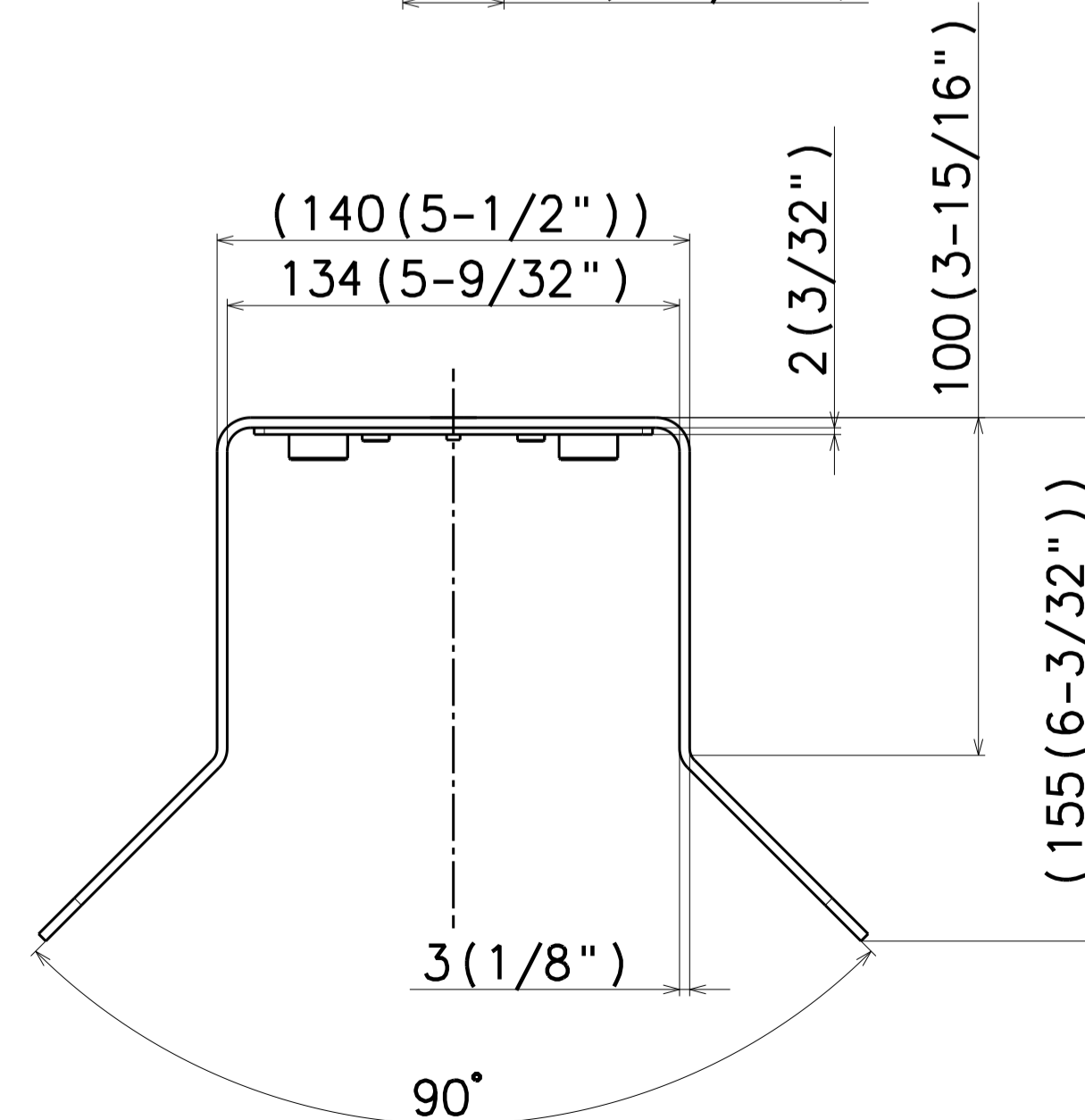
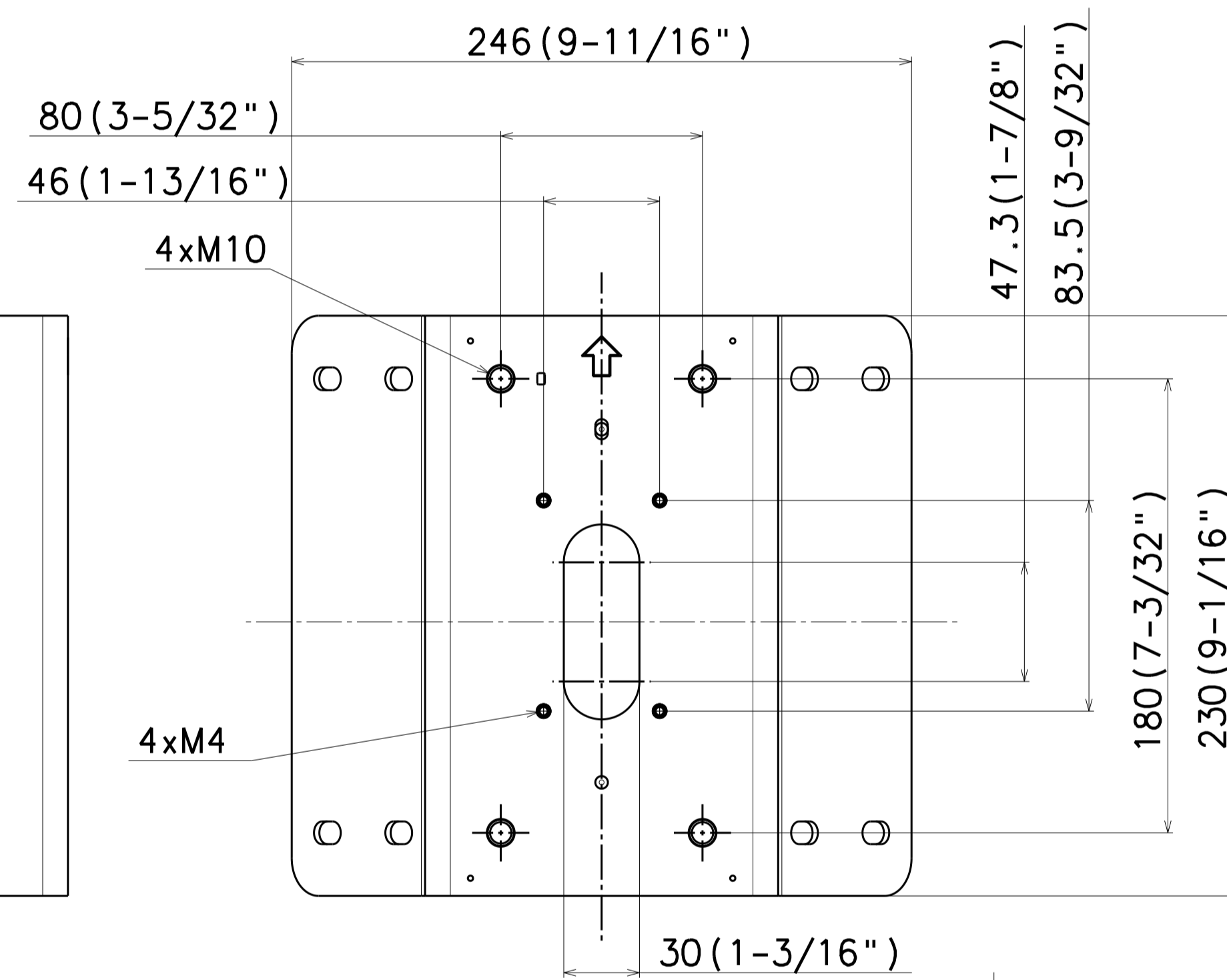
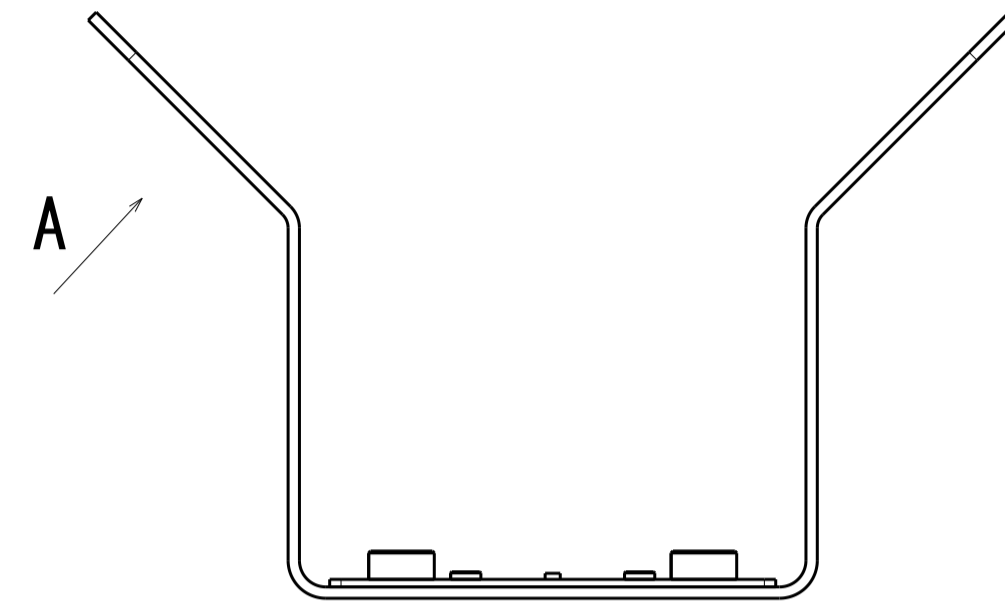


View A

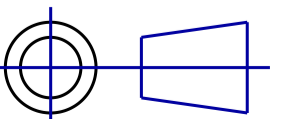


Model number
 WV-QCN500-W
 WV-QCN500-B
 WV-QCN500S-G
 WV-QCN500S-W

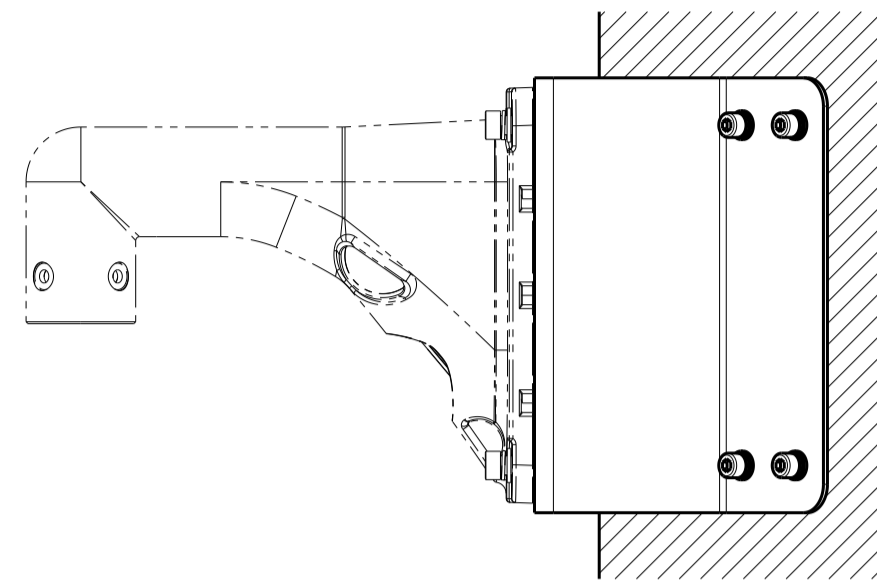
	投影面積/Projected area
側面図/Side-view	0.036 (m ²)
平面図/Top-view	0.002 (m ²)

Mass : Approx. 1.3 kg {2.87 lbs}

Unit:mm

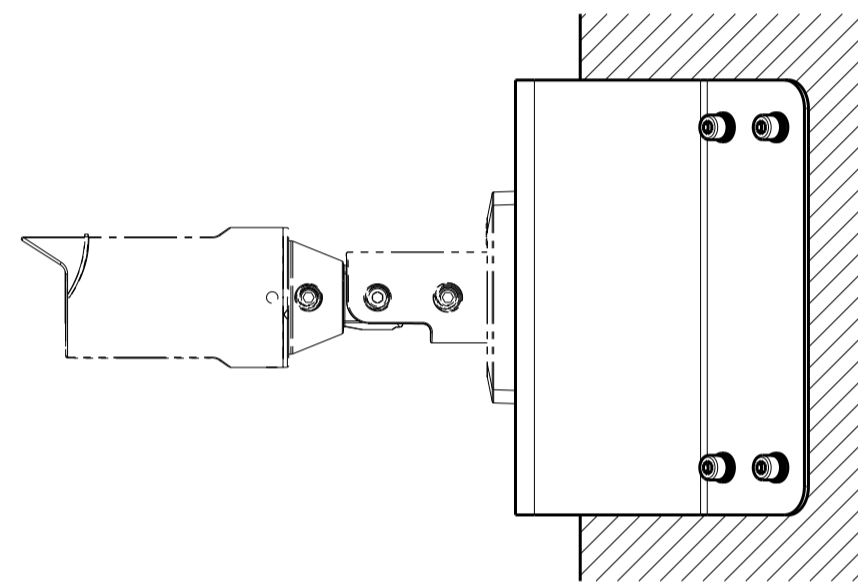


カメラとの組み合わせ例
Example of combination with a camera



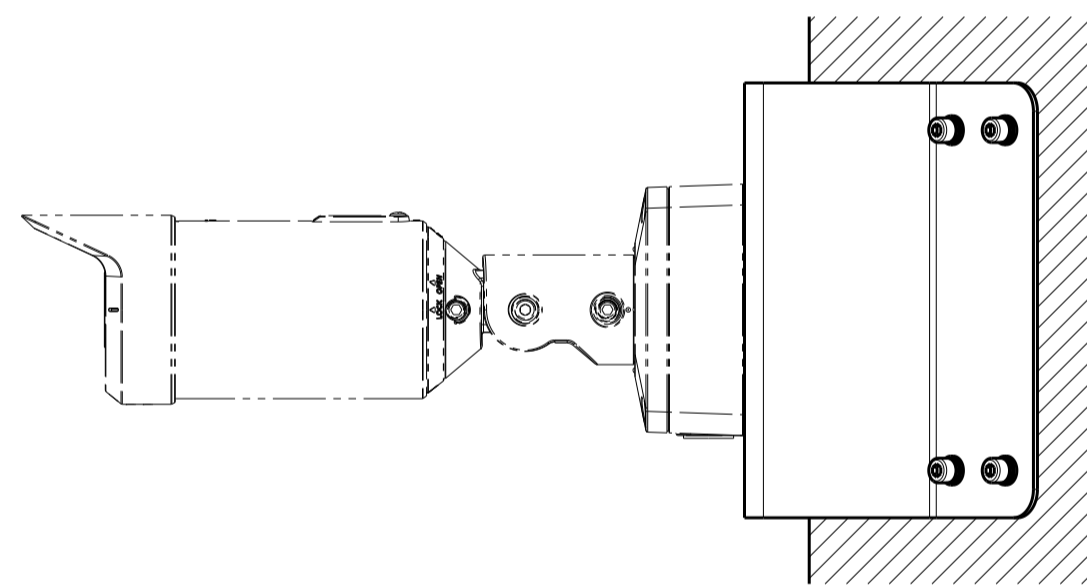
	投影面積/Projected area
側面図/Side-view	0.063 (m ²)
平面図/Top-view	0.018 (m ²)

Fix with 4xM4 screws
(with WV-QWL501-*)
S=1:4



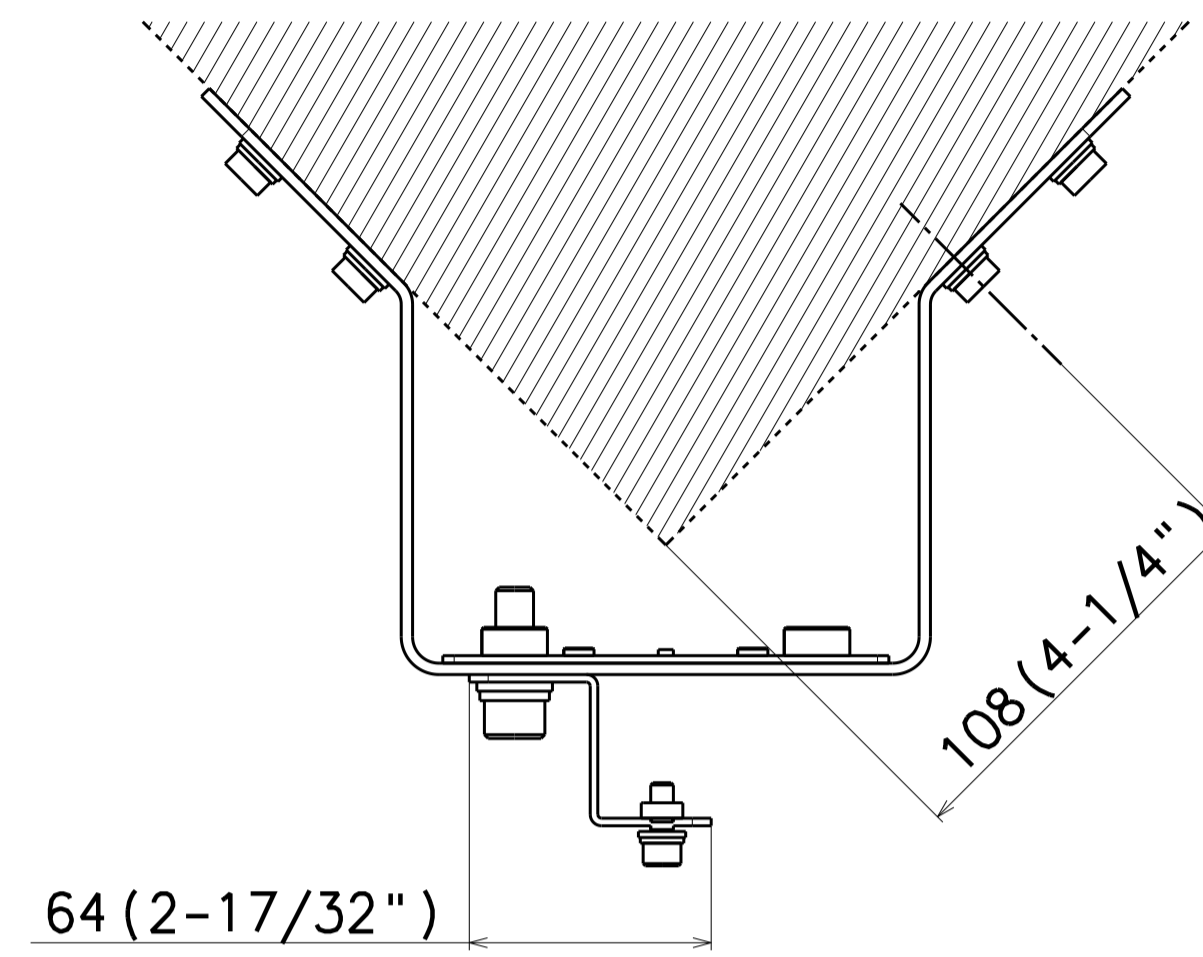
	投影面積/Projected area
側面図/Side-view	0.050 (m ²)
平面図/Top-view	0.019 (m ²)

Fix with 4xM4 screws
(with WV-U15***)
S=1:4

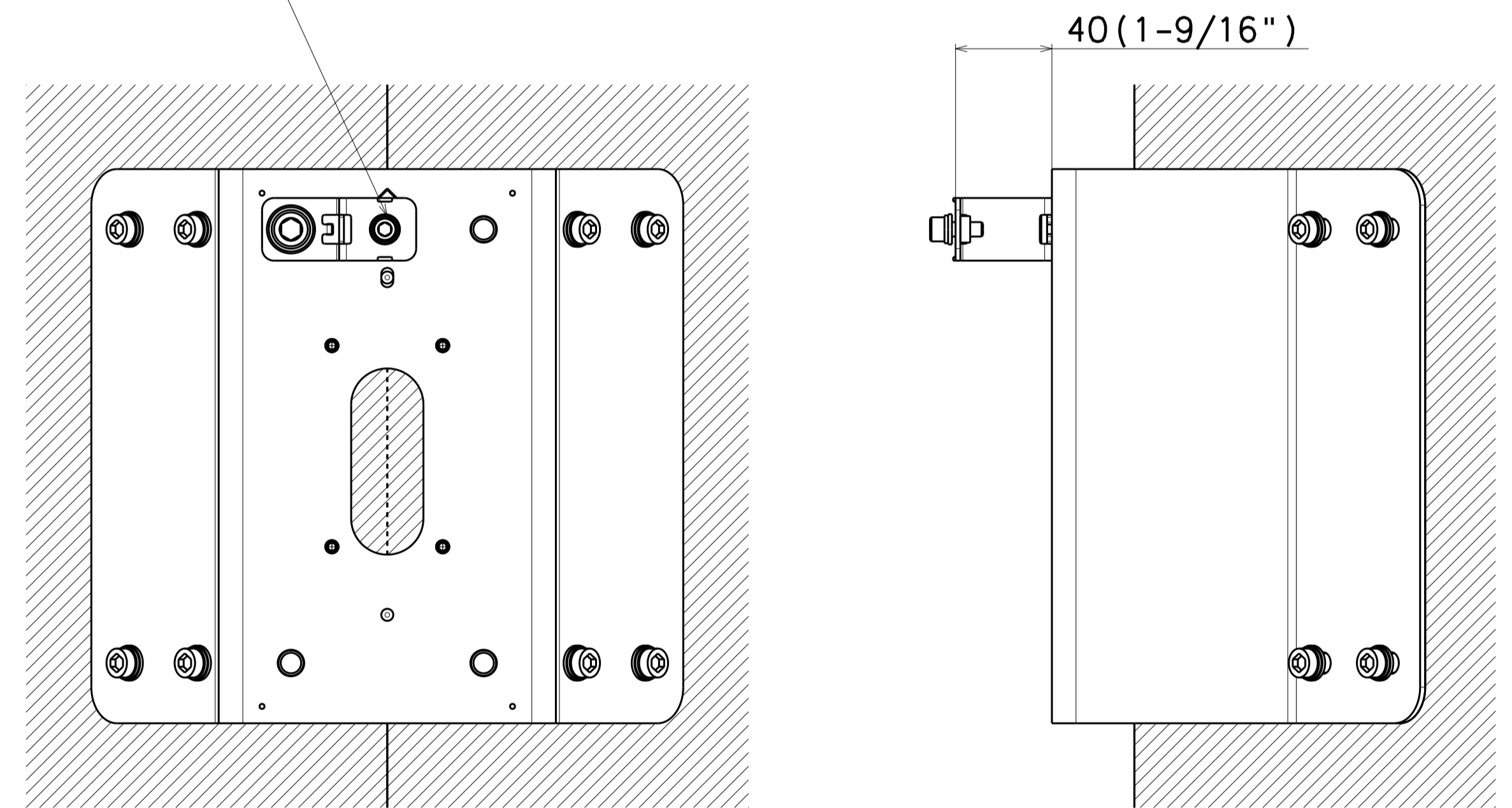


	投影面積/Projected area
側面図/Side-view	0.066 (m ²)
平面図/Top-view	0.035 (m ²)

Fix with 4xM4 screws
(with WV-S15***)
S=1:4



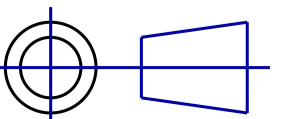
M6 used to connect safety wire



INSTALLATION STATUS
S=1:2

Model number
WV-QCN500-W
WV-QCN500-B

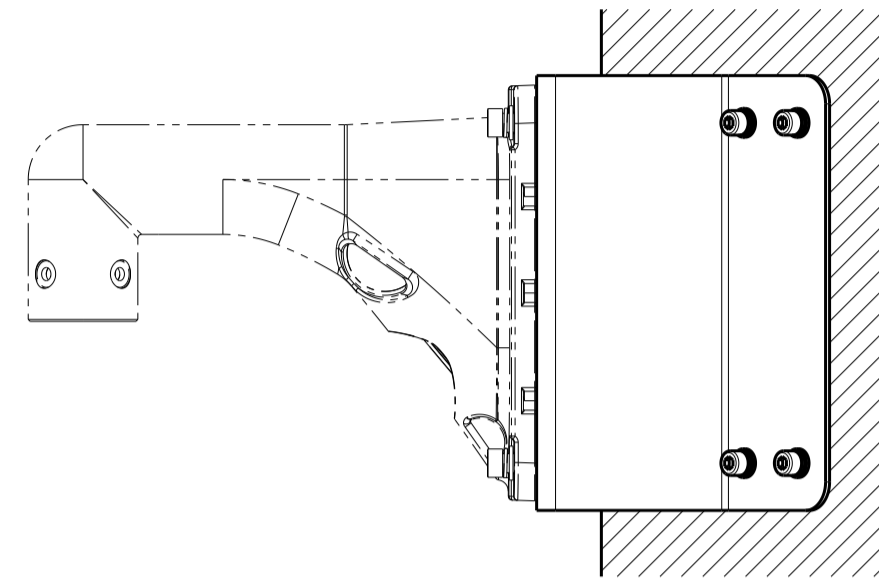
Unit:mm



カメラとの組み合わせ例
Example of combination with a camera

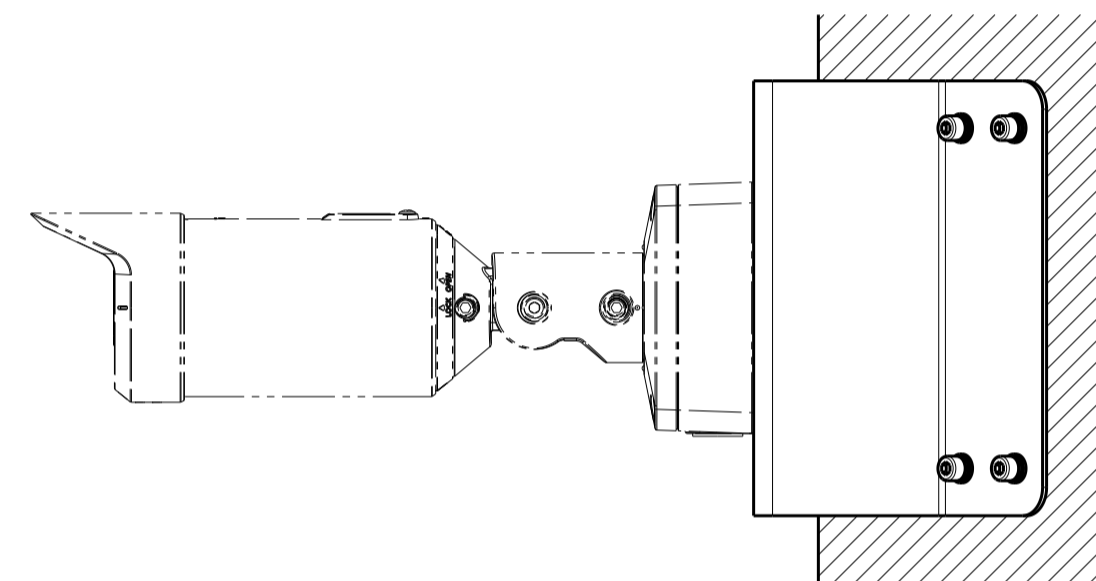
耐重塩害モデル
Heavy salt damage version

WV-QCN500S-W



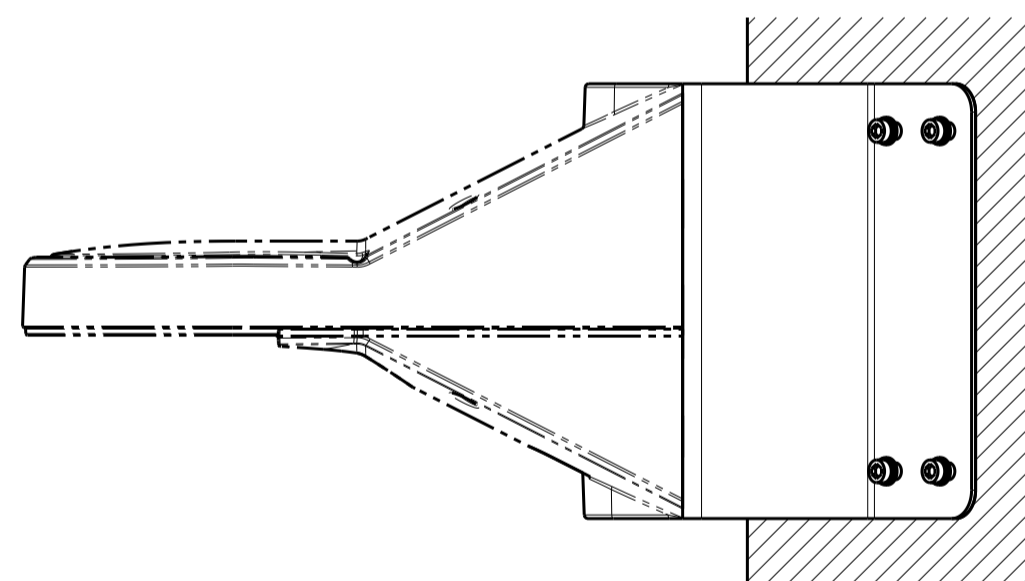
	投影面積/Projected area
側面図/Side-view	0.063 (m ²)
平面図/Top-view	0.018 (m ²)

Fix with 4xM4 screws
(with WV-QWL501S-W)
S=1:4



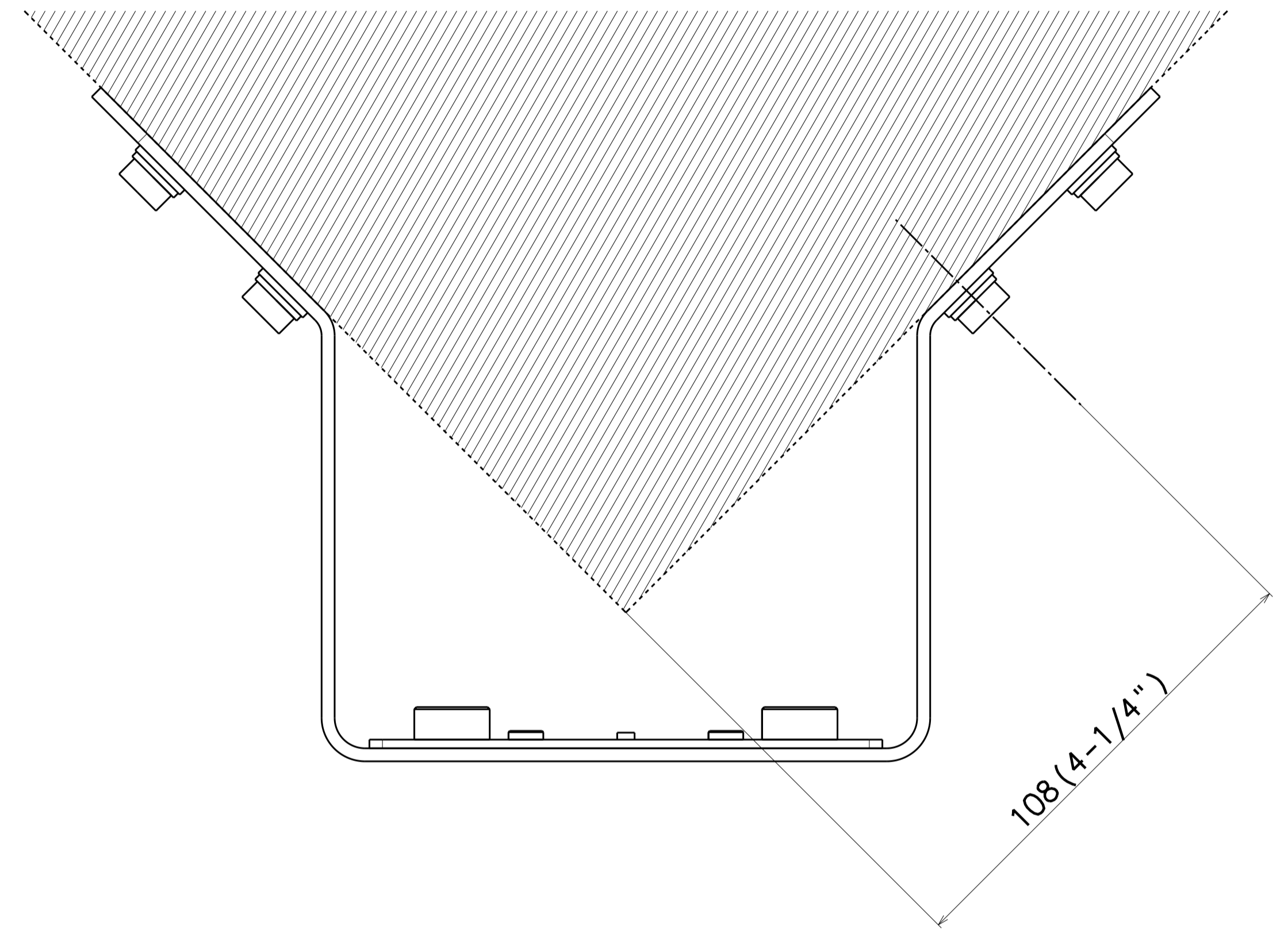
	投影面積/Projected area
側面図/Side-view	0.066 (m ²)
平面図/Top-view	0.035 (m ²)

Fix with 4xM4 screws
(with WV-S15*00-V*LK*)
S=1:4



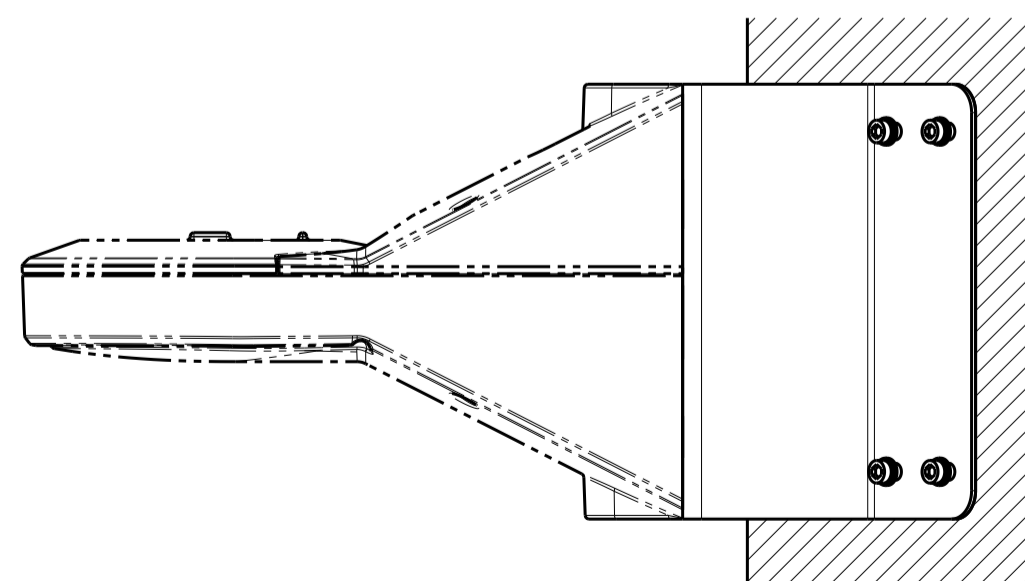
	投影面積/Projected area
側面図/Side-view	0.071 (m ²)
平面図/Top-view	0.060 (m ²)

Fix with 4xM4 screws
(with WV-QWL504S-W)
S=1:4



INSTALLATION STATUS
S=1:1

WV-QCN500S-G



	投影面積/Projected area
側面図/Side-view	0.073 (m ²)
平面図/Top-view	0.060 (m ²)

Fix with 4xM4 screws
(with WV-QWL503S-G)
S=1:4

Model number
WV-QCN500S-G
WV-QCN500S-W

Unit:mm

