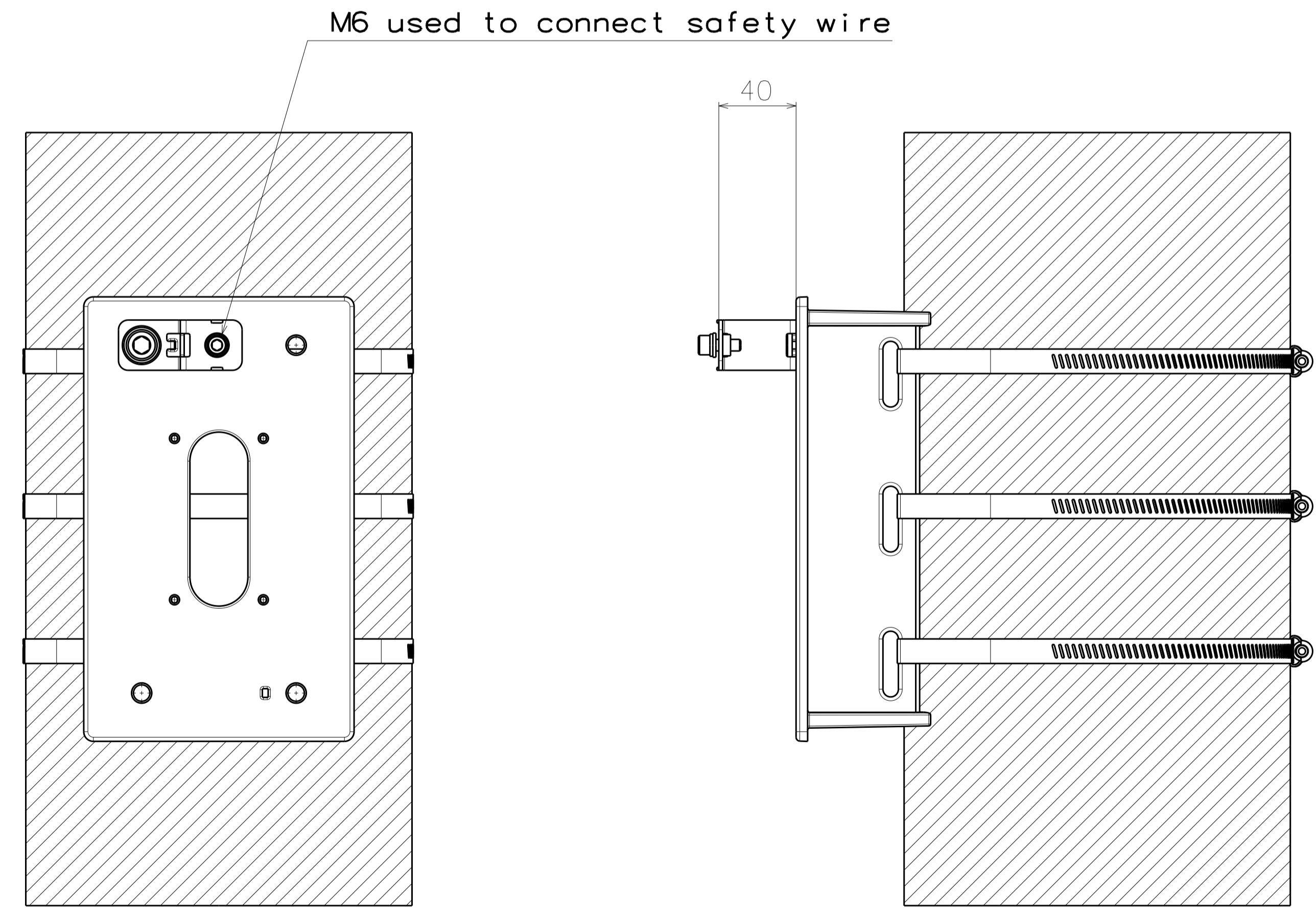


APPLICABLE INSTALLATION SCOPE
S=1:2



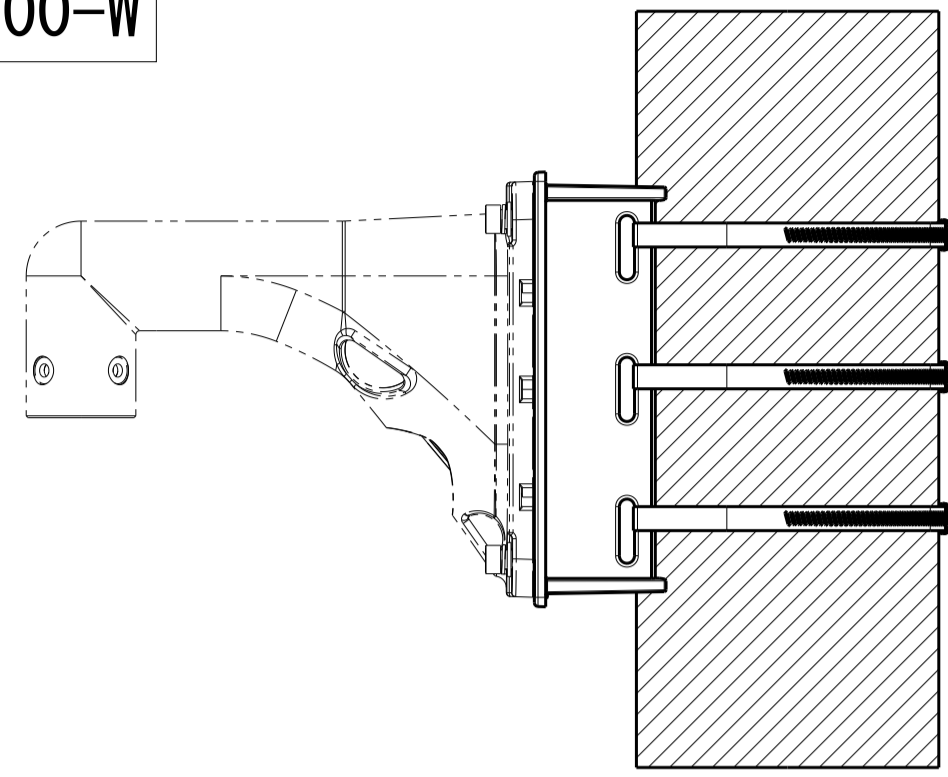
INSTALLATION STATUS
S=1:2

Model number
WV-QPL500-W
WV-QPL500-B

Unit:mm

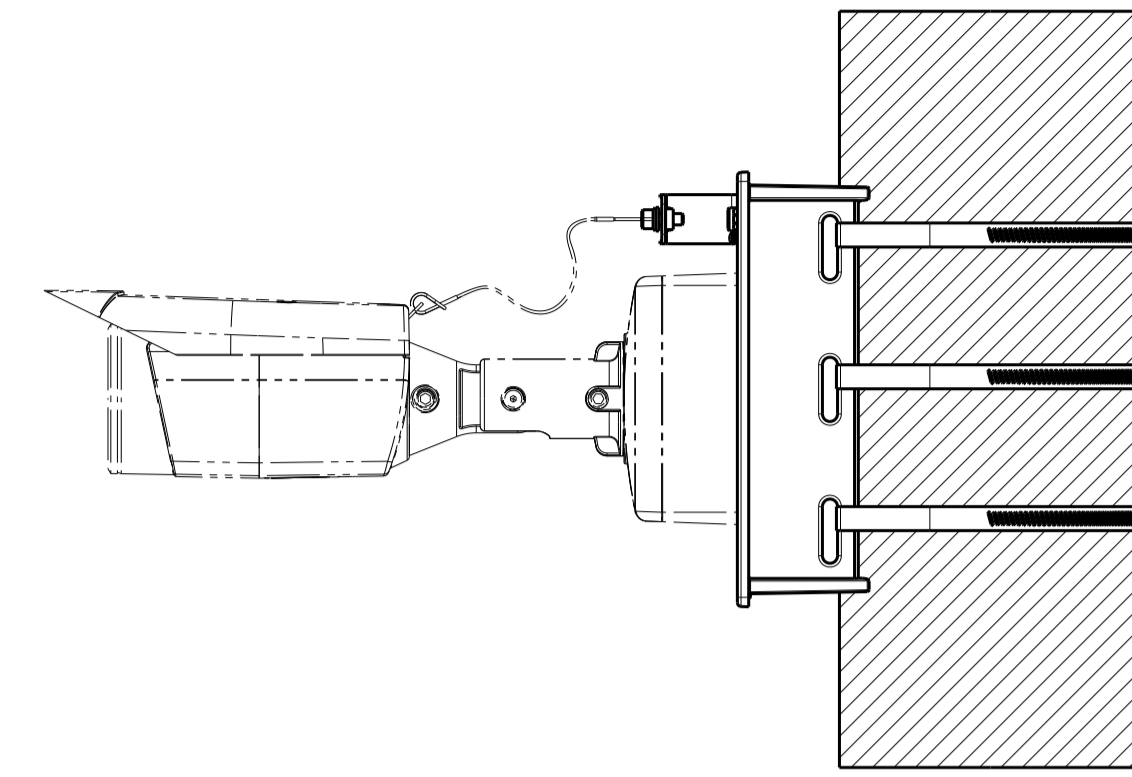
カメラとの組み合わせ例
Example of combination with a camera

WV-QPL500-W



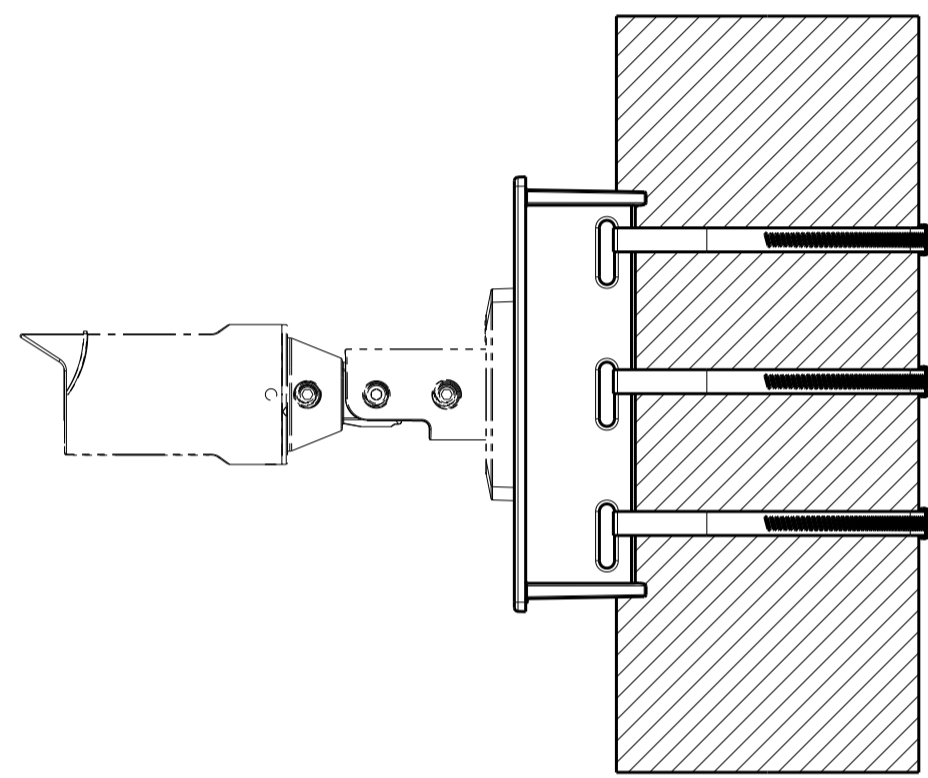
	投影面積/Projected area
正面図/Front-view	0.032 (m ²)
側面図/Side-view	0.043 (m ²)
平面図/Top-view	0.017 (m ²)

Fix with 4xM10 screws
(with WV-QWL501-W)



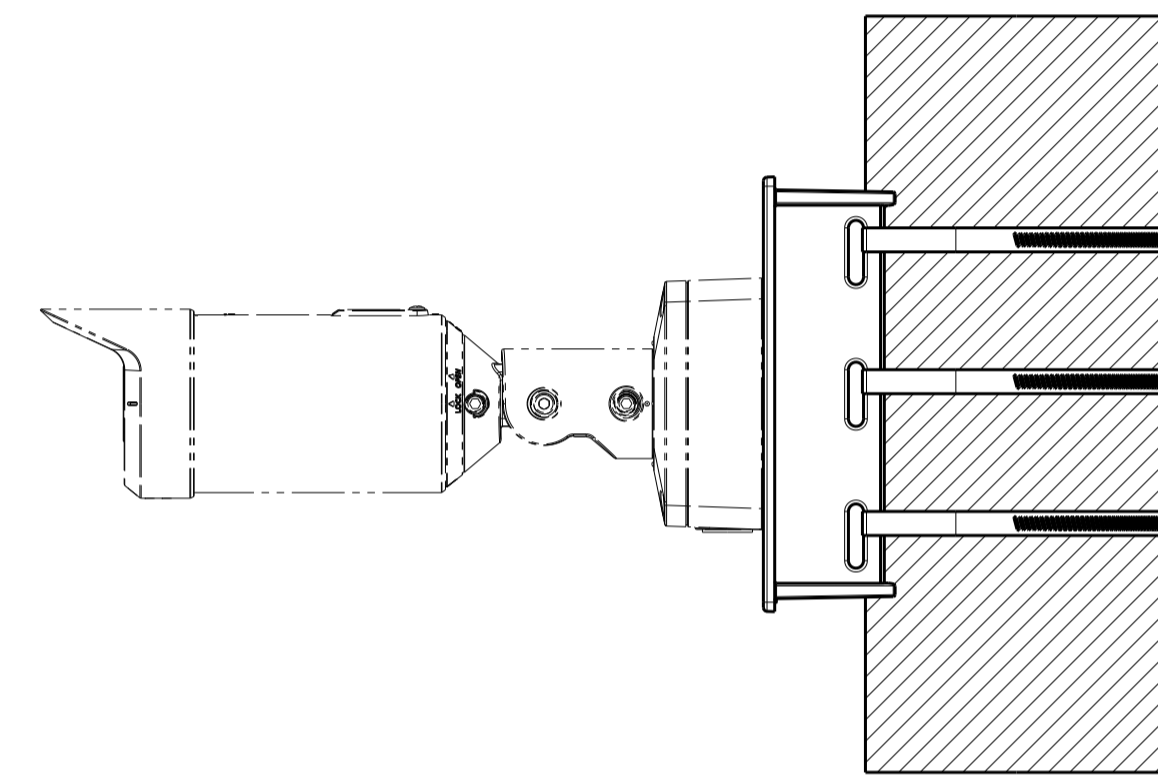
	投影面積/Projected area
正面図/Front-view	0.032 (m ²)
側面図/Side-view	0.044 (m ²)
平面図/Top-view	0.032 (m ²)

Fix with 4xM4 screws
(with WV-X1571N and Adapter box)



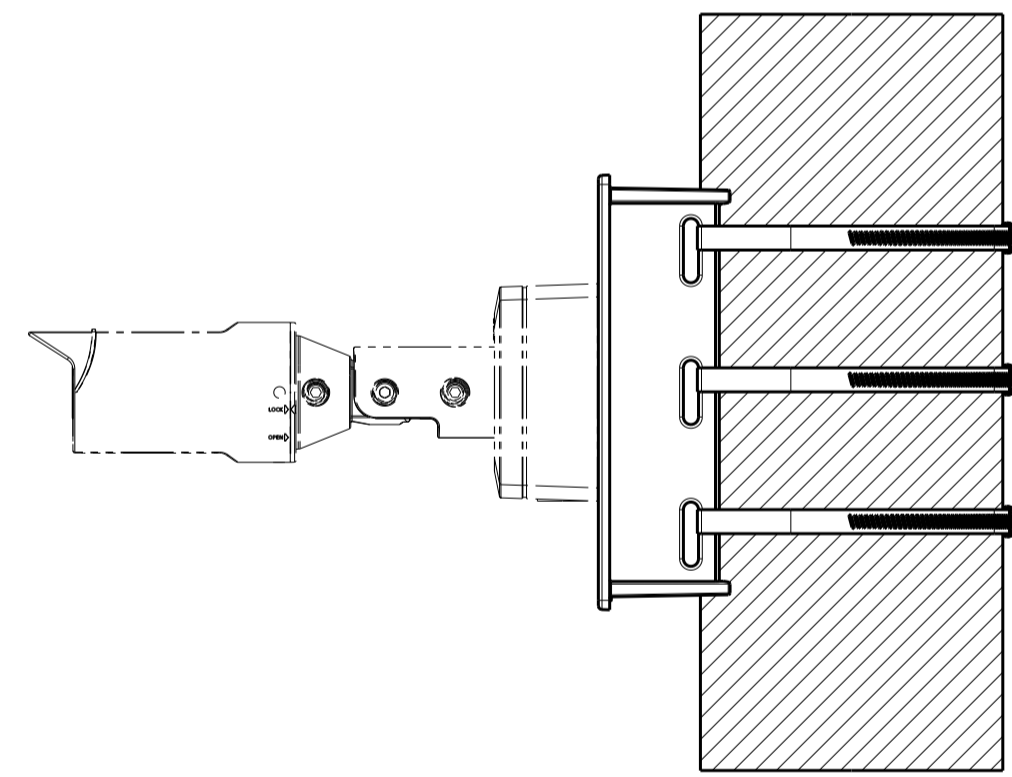
	投影面積/Projected area
正面図/Front-view	0.032 (m ²)
側面図/Side-view	0.03 (m ²)
平面図/Top-view	0.018 (m ²)

Fix with 4xM4 screws
(with WV-U1532L)



	投影面積/Projected area
正面図/Front-view	0.032 (m ²)
側面図/Side-view	0.046 (m ²)
平面図/Top-view	0.034 (m ²)

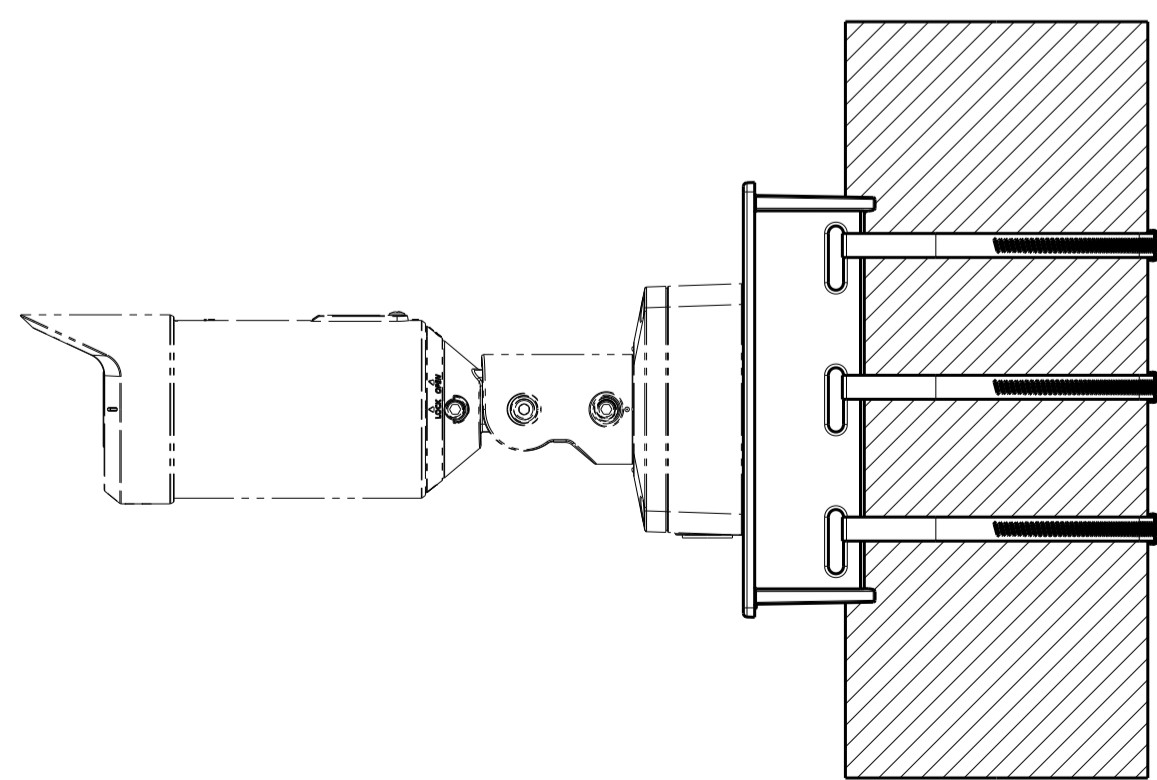
Fix with 4xM4 screws
(with WV-S1536LN)



	投影面積/Projected area
正面図/Front-view	0.032 (m ²)
側面図/Side-view	0.035 (m ²)
平面図/Top-view	0.023 (m ²)

Fix with 4xM4 screws
(with WV-U1532L and WV-QJB500-W)

WV-QPL500-B

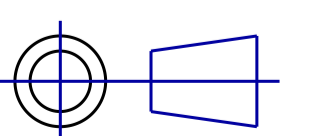


	投影面積/Projected area
正面図/Front-view	0.032 (m ²)
側面図/Side-view	0.046 (m ²)
平面図/Top-view	0.034 (m ²)

Fix with 4xM4 screws
(with WV-S1536LN-B)

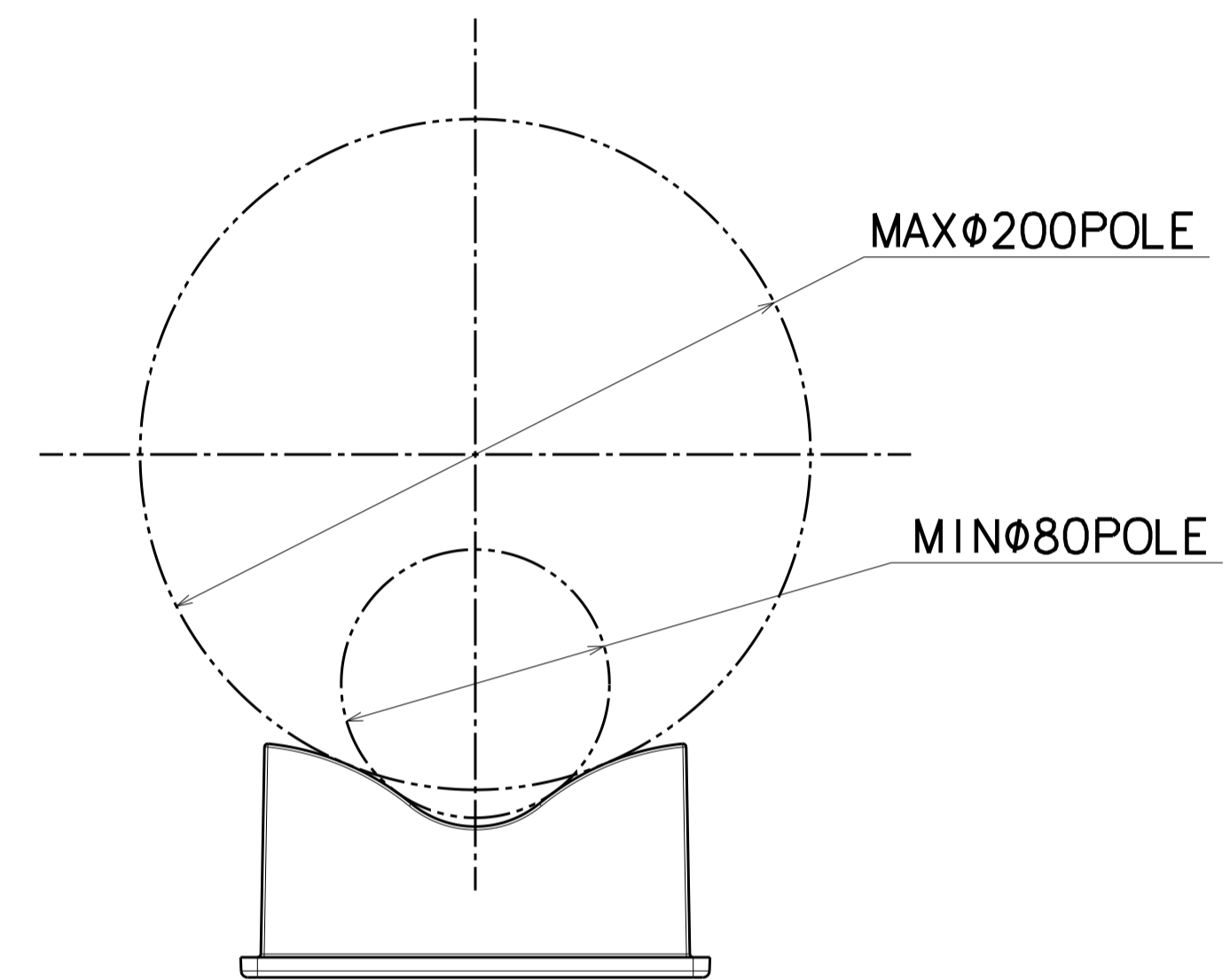
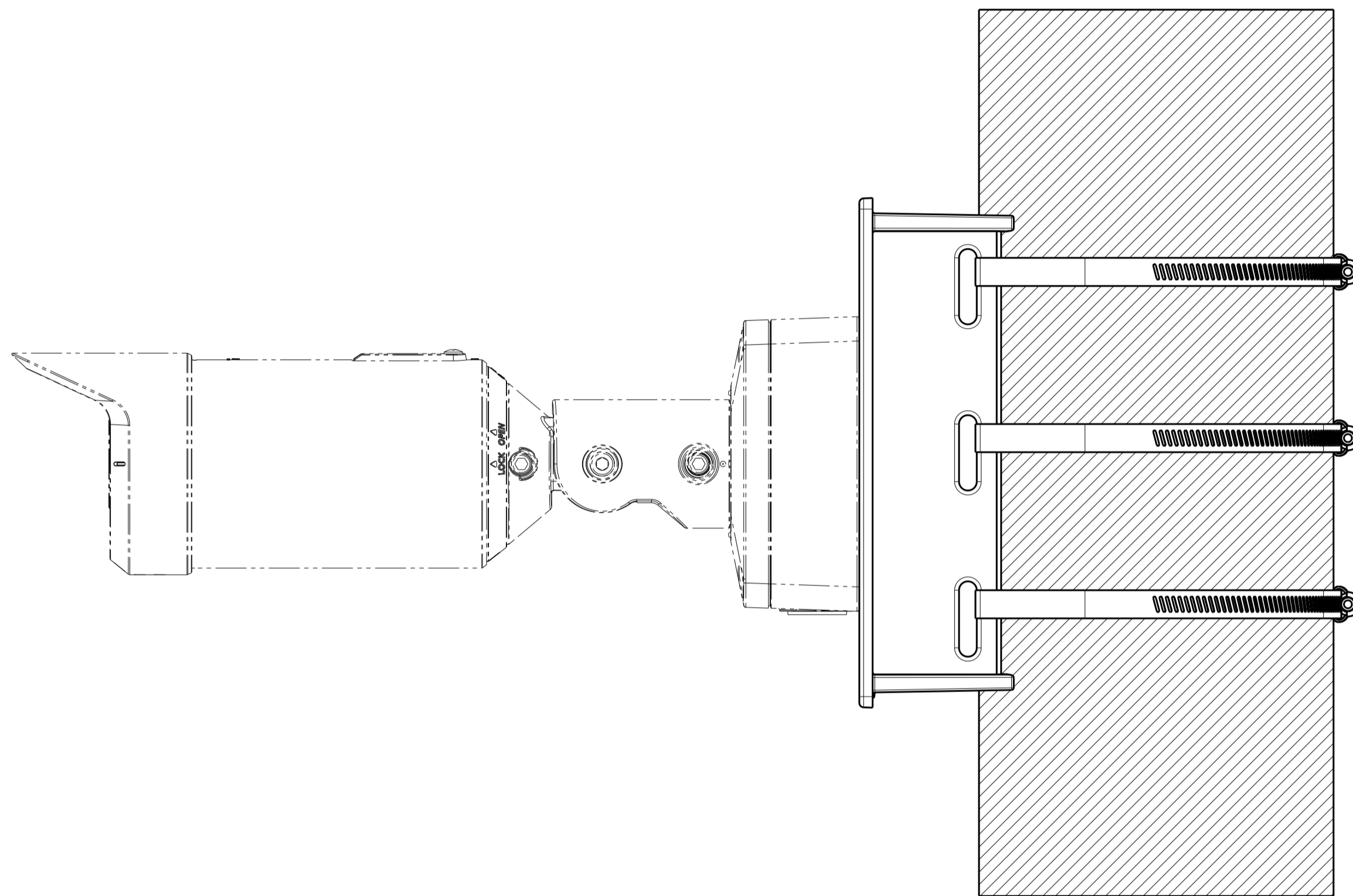
Model number
WV-QPL500-W
WV-QPL500-B

Unit:mm



カメラとの組み合わせ例
 Example of combination with a camera

耐重塩害モデル
 Heavy salt damage version



APPLICABLE INSTALLATION SCOPE

	投影面積/Projected area
正面図/Front-view	0.032 (m ²)
側面図/Side-view	0.046 (m ²)
平面図/Top-view	0.034 (m ²)

Fix with 4xM4 screws
 (with WV-S15*00-V*LK*)

Model number
 WV-QPL500S-W

Unit:mm

