

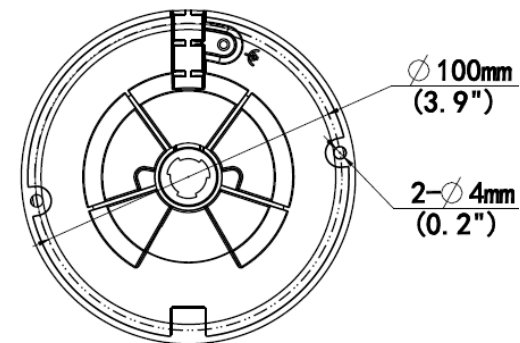
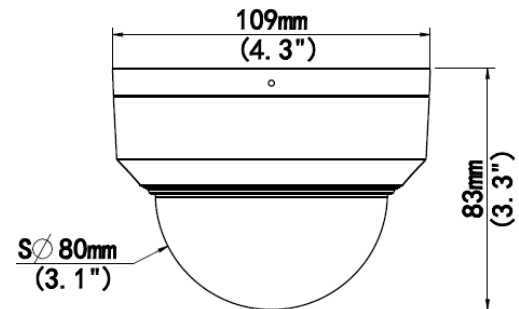
### Overview

- 5 Megapixel IR
- True WDR 120dB
- 2.8mm Fixed lens
- H.265, H.264, MJPEG
- Support 9:16 Corridor Mode
- IP67, IK10
- Built-in Mic
- NDAA Compliant
- ONVIF Profile G, S, T


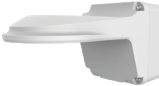





### Technical Specifications

| Device                 |   |
|------------------------|---|
| Image Sensor:          | 1/2.7", 5.0 Megapixel, Progressive Scan, CMOS   |
| Min Illumination:      | Color: 0.003Lux (F1.6, AGC ON)   0Lux with IR on  |
| Shutter Time:          | Auto/Manual, 1 ~ 1/100000s  |
| Lens:                  | 2.8mm@F1.6  |
| WDR:                   | 120dB   |
| S/N                    | >56dB   |
| Angle of View:         | H: 112.9°   V: 59.1°   O: 121.2°  |
| Angle Adjustment:      | Pan: 8° ~ 360°   Tilt: 0° ~ 68°   Rotate: 10° ~ 360°  |
| 3-Axis Adjustment:     | Yes   |
| Day & Night:           | IR-Cut Filter with Auto Switch (ICR)  |
| IR Range:              | Up to 30m (98ft) IR range   |
| Compression Standard   |   |
| Video Compression:     | H.265, H.264, MJPEG   |
| Video Bit Rate:        | 128 Kbps~16 Mbps  |
| Two-Stream:            | Yes   |
| Analytics:             | Crossline, Intrusion (Human Body Detection), Motion Detection, Tampering Alarm, Audio Detection |
| Image                  |   |
| Max. Image Resolution: | 2688 x 1520   |
| Frame Rate:            | 25fps (2688 x 1520)   |
| ROI Codec:             | Up to 8 Areas   |
| Image Setting:         | White Balance, Digital Noise Reduction, Smart IR, Flip, HLC, BLC                                |



## Technical Specifications

| Network                  |   |   |  |               |              |
|--------------------------|---|---|--|---------------|--------------|
| Protocols:               | IPv4, IGMP, ICMP, ARP, TCP, UDP, DHCP, RTP, RTSP, RTCP, RTMP, DNS, DDNS, NTP, FTP, UPnP, HTTP, HTTPS, SMTP, SSL/TLS, 802.1x, SNMP |   |  |               |              |
| Interface                |   |   |  |               |              |
| Communication Interface: | 1 RJ45 10M/100M Base-TX Ethernet  |   |  |               |              |
| Edge Storage:            | Micro SD, up to 256GB   |   |  |               |              |
| Audio Compression:       | G.711U, G.711A  |   |  |               |              |
| DORI                     |   |   |  |               |              |
| DORI Distance            | Lens (mm)   | Detect (m)  | Observe (m)  | Recognize (m) | Identify (m) |
|                          | 2.8   | 63.0  | 25.2   | 12.6          | 6.3          |
| General                  |   |   |  |               |              |
| Safety                   | CE: EN 62368-1<br>UL: UL 62368-1  |   |  |               |              |
| EMC                      | FCC: FCC Part 15<br>CE-EMC: EN 55032/ EN 55035/ EN IEC 61000-3-2/ EN 61000-3-3  |   |  |               |              |
| Operating Conditions:    | Temperature: -30°C ~ 60°C (-22°F ~ 140°F),<br>Humidity: ≤95% RH (Non-Condensing)  |   |  |               |              |
| Power Consumption:       | Max 4.5W  |   |  |               |              |
| Power Supply:            | DC 12V±25%, PoE (IEEE 802.3af)  |   |  |               |              |
| Weather Proof Rating:    | IP67  |   |  |               |              |
| Vandal Resistant:        | IK10  |   |  |               |              |
| Dimensions:              | Ø109 x 83mm (Ø4.3" x 3.2")  |   |  |               |              |
| Weight:                  | 0.36kg (0.79lb)   |   |  |               |              |
| Software:                | No license required for use with Video Insight Software   |   |  |               |              |
| Optional Accessories     |   |   |  |               |              |
|                          | M-JB-MINI<br>                                  | M-WM-JB-MINI<br> | M-PM<br> |               |              |
|                          | M-Pendant-Ex<br>                               | M-Pendant<br>    |  |               |              |

© i-PRO Co., Ltd. All Rights Reserved. i-PRO, Viewnetcam.com, Advidia, VideoInsight, ClouDE, and Unified Digital Evidence are registered trademarks or trademarks of i-PRO Co., Ltd. or i-PRO Americas Inc. in various jurisdictions. All other trademarks are the property of their respective owners.