

### Overview

- Support H.265/H.264 video formats
- Support cloud Firmware upgrade
- NDAA Compliant
- 64-channel input
- Support 2 HDMI and 2 VGA.
- VGA1 and HDMI1 simultaneous output, VGA2 and HDMI2 simultaneous output.
- VGA1/HDMI1 and VGA2/HDMI2 independent output
- Up to 32 Megapixels resolution recording
- Support RAID 0, 1,5, 6, 10
- 8 SATA HDDs, up to 16TB for each HDD
- Support N+1 Hot-spare
- ANR technology to enhance the storage reliability when the network is disconnected
- Support mainstream camera of ONVIF conformance (Profile G, S, T) and RTSP protocols
- Redundant Power Supply (*Optional*)



### Technical Specification

Video/Audio Input	
IP Video Input	64-ch
Supported camera	advidia M-series
Two-way Audio Input	1-ch, RCA (Using the audio input and output)

Video/Audio Output	
HDMI/VGA Output	HDMI 1/ HDMI 2 4K(3840x2160)/60Hz, 4K(3840x2160)/30Hz, 1920X1080/60Hz, 1920X1080/50Hz, 1600X1200/60Hz, 1280X1024/60Hz, 1280X720/60Hz, 1024X768/60Hz VGA 1/ VGA 2: 1920X1080/60Hz, 1920X1080/50Hz, 1600X1200/60Hz, 1280X1024/60Hz, 1280X720/60Hz, 1024X768/60Hz
Recording Resolution	32MP/16MP/12MP/8MP/6MP/5MP/4MP/3MP/1080p/960p/720p/D1/2CIF/CIF
Recording Mode	Normal, Event, Manual
Audio Output	2-ch, RCA
Camera Control	Pan/Tilt, Zoom, Focus, Iris, Preset Position, Preset Patrol, Recorded Patrol, Auto Guard
Synchronous Playback	16-ch
Multiscreen Mode	Normal Mode: 1/4/6/8/9/16/25/36/64 Corridor Mode: 3/4/5/7/9/10/12/16/32 Web Client: 1/4/6/8/9/10/13/16

Network	
Incoming Bandwidth	384Mbps
Outgoing Bandwidth	384Mbps
Remote Users	128
Protocols	TCP/IP, P2P, UPnP, NTP, DHCP, PPPoE, HTTP, HTTPS, DNS, DDNS, SNMP, SMTP, NFS, RTSP, 802.1x, IPv6

Decoding	
Decoding format	H.265/H.264
Live view/Playback	32MP/16MP/12MP/8MP/6MP/5MP/4MP/3MP/1080P/960P/720P/D1/2CIF/CIF
Capability	2x 32MP@30fps, 4x 16MP@30fps, 5x 12MP@30fps, 8x 4K@30fps, 16x 4MP@30fps, 32x 1080P@30fps, 54x 960P@30fps, 64x 720P@30fps
SATA	8 SATA interfaces
Capacity	Up to 16TB for each disk
eSATA	1 eSATA interface

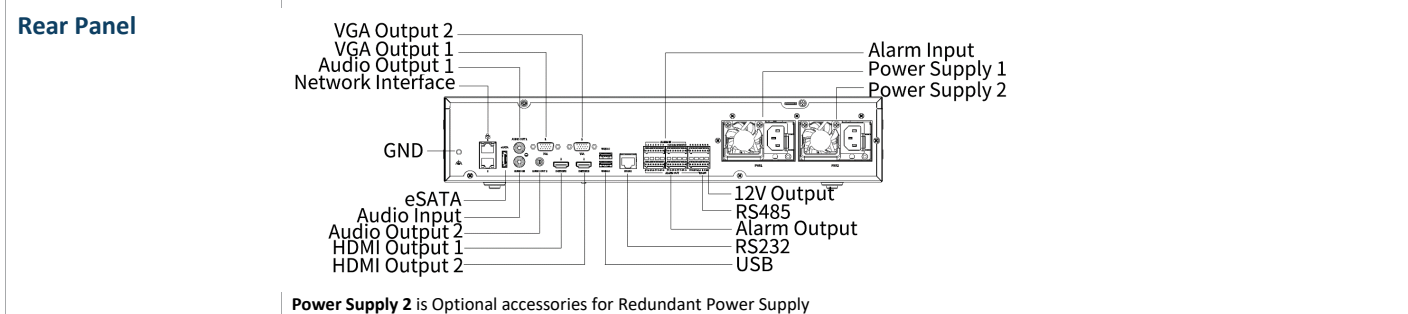
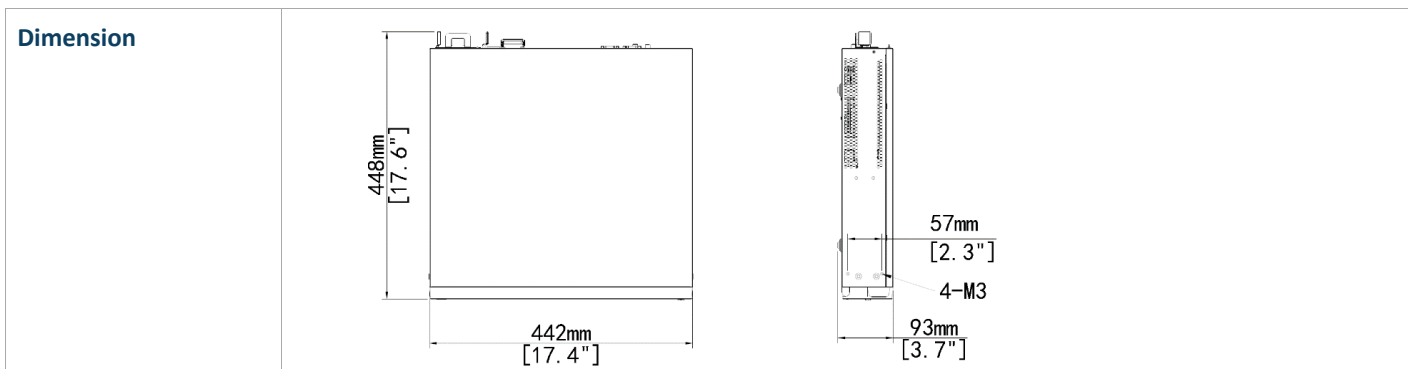
Snapshot	
FTP/Schedule/Event Snapshot:	16-ch snapshot, up to 1080P resolution

Video Analytics	
VCA Detection by Camera	Motion detection, Tampering detection, Intrusion detection, Cross line detection, Audio detection, Auto tracking
VCA Search	Behaviour Search (Cross line, Intrusion)

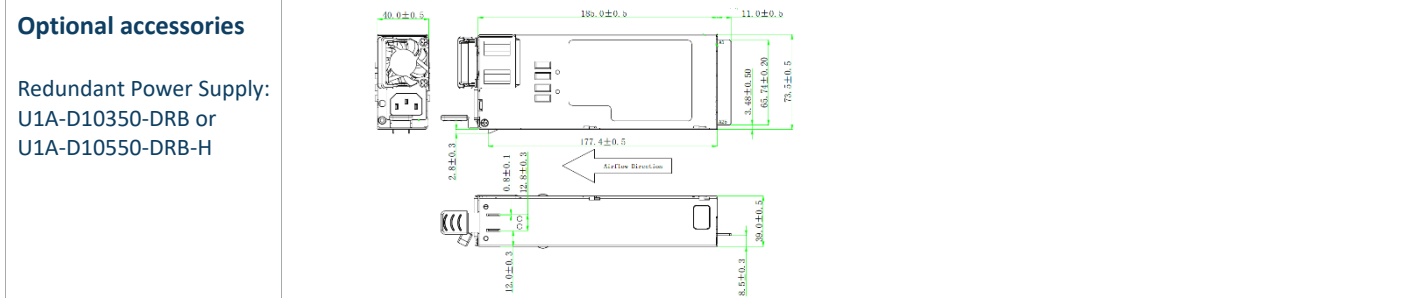
Disk Array	
Array Type:	RAID 0, 1, 5, 6, 10

External Interface	
Network Interface:	2 x RJ45 10M/100M/1000M self-adaptive Ethernet Interfaces
Serial Interface:	1 x RS232, 1 x RS485
USB Interface:	Front panel: 2 x USB2.0, Rear panel: 2 x USB3.0
Alarm In:	16-ch
Alarm Out:	10-ch

General	
Safety:	IEC 62368-1:2018 and EN IEC 62368-1:2020+A11:2020
EMC:	FCC: FCC Part 15 CE-EMC: EN 55032/ EN 55035/ EN IEC 61000-3-2/ EN 61000-3-3
Power Supply:	100~240 VAC Power Consumption: ≤ 50 W (without HDD)
Working Environment:	-10°C~+ 55°C (+14°F~+131°F), Humidity ≤ 90% RH (non-condensing)
Dimensions (W×D×H):	442mm × 448mm × 93mm (17.4" × 17.6" × 3.7")
Weight (without HDD):	≤6.0kg (13.23lb)



Power Supply 2 is Optional accessories for Redundant Power Supply



© i-PRO Co., Ltd. All Rights Reserved. All other trademarks are the property of their respective owners.