

# WV-U2540LA

4MP Outdoor Dome Network Camera

## New U-series compact network camera with enhanced functions and affordability

The new U series is an entry model that achieves high quality and reliability at an affordable price to meet the needs of a wide range of customers.



- 2688×1520 pixel image up to 30fps
- iA (intelligent Auto)
- Super Dynamic 102dB
- Color night vision (0.019 to 0.3 lx)
- H.265 Smart Coding
- Corridor mode (90 degrees or 270 degrees in image rotation)
- Built-in IR LED
- NDAA Compliant



# SPECIFICATIONS

Camera	
Image Sensor	Approx. 1/2.7 type CMOS image sensor
Effective pixels	Approx. 5.2 megapixels, 2688(H)×1944(V)
Minimum Illumination	Color : 0.3 lx, BW: 0.12 lx (50IRE, F2.0, Maximum shutter: Off (1/30s), AGC: 11) BW : 0 lx (50IRE, F2.0, Maximum shutter: OFF (1/30 s), AGC: 11, when the IR LED is lit) Color : 0.019 lx, BW: 0.0075 lx (50IRE, F2.0, Maximum shutter: max. 16/30s, AGC: 11)
White Balance	ATW1/ ATW2/ AWC
Maximum Shutter	[30fps mode] Max. 1/10000 s to Max. 16/30 s [25fps mode] Max. 1/10000 s to Max. 16/25 s
Intelligent Auto	On / Off
Super Dynamic	On / Off, the level can be set in the range of 0 to 31.
Dynamic Range	Max.102 dB (Super Dynamic: On, Level: 31)
Adaptive Black Stretch	The level can be set in the range of 0 to 255.
Back Light Compensation/High Light Compensation	BLC/ HLC/ Off, The level can be set in the range of 0 to 31. The level can be set in the range of 0 to 31. (only when Super Dynamic/ Intelligent auto: Off)
Fog Compensation	On / Off, The level can be set in the range of 0 to 8. (only when Intelligent auto / auto contrast adjust: Off)
Maximum Gain (AGC)	The level can be set in the range of 0 to 11.
Color/BW (ICR)	Off/ On (IR Light Off) / On (IR Light On) / Auto1 (IR Light Off) / Auto2 (IR Light On) / Auto3 (SCC)
IR LED Light	High/ Middle/ Low/ Off Maximum irradiation distance: 20 m {Approx. 65 ft}
Digital Noise Reduction	The level can be set in the range of 0 to 255.
Video Motion Detection (VMD)	On / Off, 4 areas available
Scene Change Detection(SCD)	On / Off, 1 areas available
Privacy Zone	On / Off (up to 8 zones available)
VIQS	On / Off, Up to 8 zones available
Image Rotation	0° (Off) / 90° / 180° (Upside-down) / 270°
Camera Title (OSD)	On / Off, Up to 20 characters (alphanumeric characters, marks)

Lens	
Focal Length	3.2 mm{1/8 inches}
Optical Zoom	1x
Extra optical zoom	1.0x - 1.3x(when resolution is 1920x1080)
Digital (electronic) zoom	Choose from 3 levels of x1, x2, x4
Angular Field of View	[16 : 9 mode] *[4:3 mode] is not supported. / Horizontal : 100°, Vertical : 54°
Maximum Aperture Ratio	1 : 2.0
Focusing Range	1 m {39-3/8 inches} - ∞

DORI	
Detect (25ppm / 8ppf)	43.0 m / 141.0 ft
Observe (62.5ppm / 19ppf)	17.2 m / 56.4 ft
Recognize (125ppm / 38ppf)	8.6 m / 28.2 ft
Identify (250ppm / 76ppf)	4.3 m / 14.1 ft
Adjusting Angle	
Adjusting Angle	Horizontal (PAN) angle: -175 °- +175 °, Vertical (TILT) angle: -30 °- +80 ° Azimuth (YAW) angle: ±100°
Browser GUI	
Camera Control	Brightness
GUI / Setup Menu Language	English, Italian, French, German, Spanish, Portuguese, Russian, Chinese, Japanese
Network	
Network IF	10Base-T / 100Base-TX, RJ45 connector
Resolution H.265/H.264	[16:9 mode(2688x1520 30fps mode)], [16:9 mode(2688x1520 25fps mode)] 2688×1520, 1920×1080, 640×360, 320×180 [16:9 mode(30fps mode)], [16:9 mode(25fps mode)] 2560×1440, 1920×1080, 640×360, 320×180 *[4:3 mode] is not supported.
H.265/H.264	[Transmission Mode] Constant bit rate / VBR / Frame rate / Best effort [Transmission Type] Unicast port(AUTO) / Unicast port(MANUAL) / Multicast [Max. frame rate foreach stream] Stream(1) : 2688x1520(30fps) / 2560x1440(30fps) / 1920x1080(30fps) Stream(2) : Off / 640x360(30fps) / 1920x1080(30fps) Stream(3) : Off / Off / 640x360(10fps) JPEG(1) : 2560x1440(1fps) / 2560x1440(1fps) / 2560x1440(1fps) JPEG(2) : 1920x1080(1fps) / 1920x1080(1fps) / 1920x1080(1fps)
JPEG	[Image Quality] 10 steps
Smart Coding	GOP(Group of pictures) control: On(Frame rate control) / On(Advanced) / On(Mid.) / On(Low) / Off *Frame rate control and Advanced are only available with H.265. AUTO VIQS: On / Off
Audio Compression	-
Audio Transmission Mode	-
Supported Protocol	IPv6 : TCP/IP, UDP/IP, HTTP, HTTPS, SMTP, DNS, NTP, SNMP,v1/v2/v3, DHCPv6, RTP, MLD, ICMP, ARP, IEEE 802.1X, DiffServ, MQTT, LLDP IPv4 : TCP/IP, UDP/IP, HTTP, HTTPS, RTSP, RTP, RTP/RTCP, SMTP, DHCP, DNS, DDNS, NTP, SNMPv1/v2/v3, UPnP, IGMP, ICMP, ARP, IEEE 802.1X, DiffServ, MQTT, LLDP
No. of Simultaneous Users	Up to 14 users (Depends on network conditions)
Secure	Device Certificate GlobalSign® pre-installed, User authentication, Host authentication, HTTPS, 802.1X Support, Data encryption
SDXC/SDHC/SD Memory Card (Option)	H.265 recording: Manual REC / Alarm REC (Pre/Post) / Schedule REC Compatible SDXC/SDHC Memory Card: microSDXC memory card : 64 GB, 128GB, 256GB, 512GB microSDHC memory card : 4GB, 8GB, 16GB, 32GB microSD memory card : 2GB
Mobile Terminal Compatibility	iPad, iPhone, Android™ terminals
ONVIF® Profile	G / S / T

Alarm	
Alarm Source	VMD alarm, SCD alarm, Command alarm
Alarm Actions	SDXC/SDHC/SD memory recording, E-mail notification, HTTP alarm notification, Indication on browser, TCP alarm notification output
Input/Output	
Audio input	-
Audio Output	-
External I/O Terminals	-
Monitor Output	-
General	
Safety	UL (UL60950-1), c-UL (CSA C22.2 No.60950-1), CE, IEC60950-1
EMC	FCC (Part15 ClassA), ICES003 ClassA, EN55032 ClassB, EN55035
Power Source and Power Consumption	PoE (IEEE802.3af compliant) Device: DC48 V 110 mA, Approx. 5.3 W (Class 2 device)
Ambient Operating Temperature	-30 °C to +50 °C (-22 °F to +122 °F) {Power On range: -20 °C to +50 °C (-4°F to +122 °F)}
Ambient Operating Humidity	10 to 100 % (no condensation)
Anti-Condensation System	Temish element
Water and Dust Resistance	IP66 (IEC 60529), Type 4X (UL50E), NEMA 4X compliant
Shock Resistance	IK10 (IEC 62262)
Wind Resistance	Up to 40 m/s {approx. 89 mph}
Dimensions	ø109 mm (W) x 62 mm (H) {ø4-9/32 inches x 2-7/16 inches (H)} Dome radius 30.5 mm {1-3/16 inches}
Mass (Approx.)	270 g {0.60 lbs.}
Finish	Main body : Aluminum die cast / Polycarbonate resin, i-PRO white Outer fixing screws : Stainless steel (Corrosion-resistant treatment) Dome cover : Polycarbonate resin, Clear

## NOTES

### Important

- Safety Precautions : Carefully read the Basic Information, Installation Guide and Operating Instructions before using this product.
- i-PRO Co., Ltd. cannot be held responsible for the performance of the network and/or other manufacturers' products used on the network.
- Masses and dimensions are approximate.
- Specifications are subject to change without notice.

### Trademarks and registered trademarks

- iPad and iPhone are trademarks of Apple Inc., registered in the U.S. and other countries. - Android is a trademark of Google LLC.
- ONVIF is a trademark of ONVIF, Inc.
- All other trademarks identified herein are the property of their respective owners

©i-PRO Co., Ltd All rights reserved / November 2022

## OPTIONAL ACCESSORIES

Select a compatible accessory

[Accessory Selector \(i-pro.com\)](http://i-pro.com).



WV-QWL500-W  
Mount Bracket



WV-QPL500-W  
Mount Bracket



WV-QJB502-W  
Mount Bracket



WV-QJB500-W  
Mount Bracket



WV-QCN500-W  
Mount Bracket



WV-QCL101-W  
Mount Bracket



WV-QCL100-W  
Mount Bracket



WV-QAT502-W  
Gangbox Adapter



PAPM4W  
Pole Mount Bracket

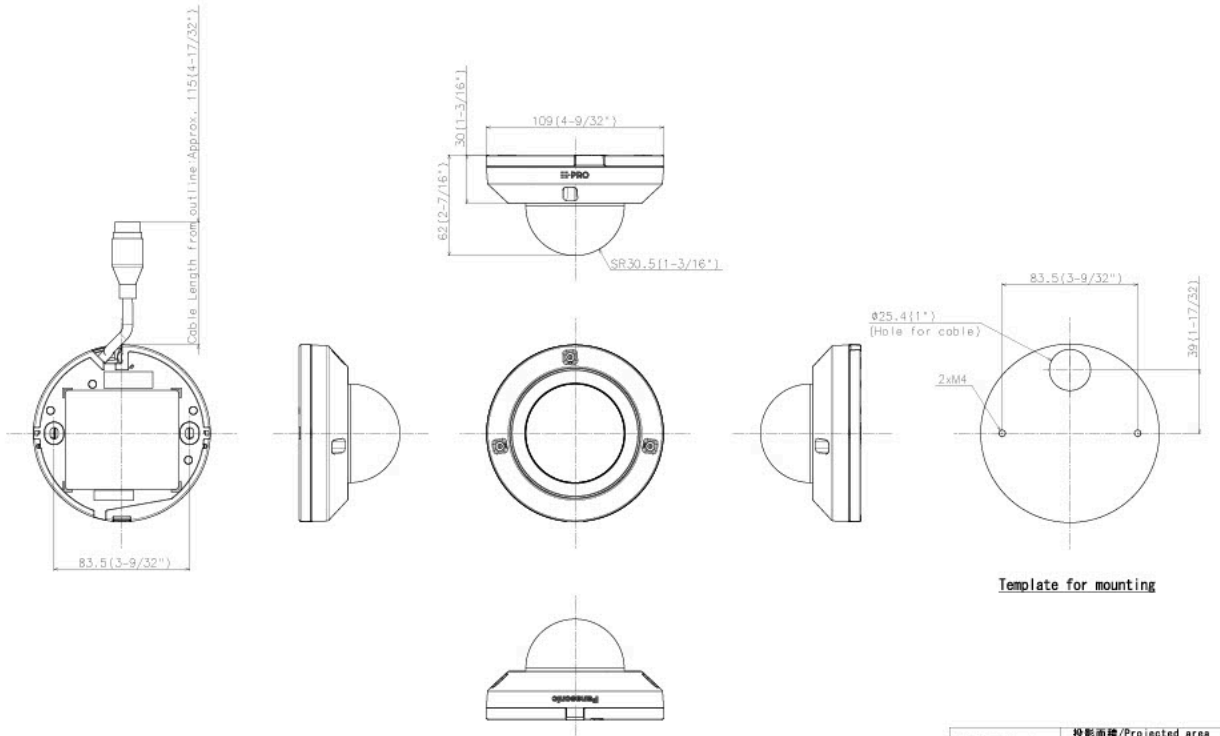


PACA4W  
Corner Mount Adapter  
Bracket



WV-QDC500S  
Dome Cover

# APPEARANCE



Template for mounting

側面図/Side-view	投影面積/Projected area
	0.005 m <sup>2</sup>

Mass: Approx. 270 g (10.60 lbs)

WV-U2540LA