

WV-S71300A-F3

2MP(1080p) Indoor mini Box Network Camera with AI Engine

A stylish compact AI network camera that is blending seamlessly into any surrounding and providing insights beyond security.



- 2MP Indoor mini box camera
- Up to 3 Edge AI analytic apps
- Built-in FIPS 140-2 Level 3 Certified SecureElement (EdgeLock® SE050F NXP® Semiconductors)
- NDAA Compliant

SPECIFICATIONS

Camera	
Image Sensor	Approx. 1/2.8 type CMOS image sensor
Scanning Area	5.57 mm (H) × 3.13 mm (V) {7/32 inches (H) × 1/8 inches (V)}
Minimum Illumination	Color : 0.21 lx {30IRE, F2.0, 1/30s} Color : 0.3 lx {50IRE, F2.0, 1/30s} BW : 0.2 lx {50IRE, F2.0, 1/30s}
White Balance	ATW1/ ATW2/ AWC
Shutter Speed	[30 fps][15 fps] 16/30s Fix to 1/10000s [25 fps][12.5 fps] 16/25s Fix to 1/10000s
Intelligent Auto	On / Off
Adaptive Black Stretch	The level can be set in the range of 0 to 255.
Back Light Compensation/High Light Compensation	BLC (Back light compensation) / HLC (High light compensation) / Off (only when intelligent Auto : Off)
Fog Compensation	On / Off (only when Intelligent auto / auto contrast adjust : Off)
Maximum gain (AGC)	The level can be set in the range of 0 to 11.
Color/BW (ICR)	Auto/Off
Light control mode setting	Indoor scene (50 Hz) / Indoor scene (60 Hz)/ELC
Digital Noise Reduction	The level can be set in the range of 0 to 255.
Video Motion Detection (VMD)	On / Off, 4 areas available
Scene Change Detection (SCD)	On / Off, 1 areas available
Audio Detection	On / Off
AI Sound Classification	Gunshot, Yell, Vehicle horn, Glass break
AI Analytics	AI Video Motion Detection, AI Privacy Guard, AI Face Detection, AI People Detection, AI Vehicle Detection, AI Non mask Detection, AI Occupancy Detection, AI Scene Change Detection For details : https://i-pro.com/products_and_solutions/en/surveillance/products/analytics-software 3rd party applications are also available. https://i-pro.com/products_and_solutions/en/surveillance/solutions/edge-ai-platform/application-list
Privacy Zone	On / Off, Up to 8 zones available
VIQS	On / Off, Up to 8 zones available
Image Rotation	0 ° / 90 ° / 180 ° / 270 °
Camera Title (OSD)	On / Off, Up to 40 characters Up to 2 lines (alphanumeric characters, marks)
Lens	
Optical zoom	1.0 x
Extra zoom	1.0 - 3.0 x (when resolution is 640 x 360)

Focal length	3.2 mm
Angular Field of View	[16 : 9 mode] Horizontal : 81.1°, Vertical : 51.4° [4 : 3 mode] Horizontal : 60.8°, Vertical : 51.4°
Aperture	1 : 2.0
Focus range	0.5 m to ∞

DORI

Detect (25ppm / 8ppf)	44.9 m / 147.2 ft
Observe (62.5ppm / 19ppf)	18.0 m / 58.9 ft
Recognize (125ppm / 38ppf)	9.0 m / 29.4 ft
Identify (250ppm / 76ppf)	4.5 m / 14.7 ft

System on Chip (SoC)

System on Chip (SoC)	Ambarella CV22
----------------------	----------------

OS Browser

OS	Microsoft Windows 11 Microsoft Windows 10
Browser	Microsoft Edge, Firefox, Google Chrome

Network

Network IF	10Base-T / 100Base-TX, RJ45 connector
Resolution H.265 / H.264 / JPEG (MJPEG)	[16:9 mode (30 fps mode)], [16:9 mode (25 fps mode)] 1920x1080, 1280x720, 640x360, 320x180 [4:3 mode (30 fps mode)], [4:3 mode (25 fps mode)] 1280x960, 640x480, 320x240 [4:3 mode (15 fps mode)], [4:3 mode (12.5 fps mode)] 2048x1536*4 , 1280x960, 640x480, 320x240
H.265/H.264	[Transmission Mode] Constant bit rate / VBR / Frame rate / Best effort [Transmission Type] Unicast port (AUTO) / Unicast port (MANUAL) / Multicast
JPEG	[Image Quality] 10 steps
Smart Coding	GOP (Group of pictures control): Off/ Low (Variable GOP 1s-8s) / Mid (Variable GOP 4s-16s) / Advanced(Fixed GOP 60s w/1s key-frame) / Frame rate control (Variable GOP 4s-16s with frame rate control) *Advanced and Frame rate control are only available with H.265. Smart VIQS: On(High)/On(Low)/Off, Smart P-picture control: On/Off
Audio Compression	G.726 (ADPCM) : 16 kbps / 32 kbps G.711 : 64 kbps AAC-LC*6 : 64 kbps / 96 kbps / 128 kbps
Supported Protocol	IPv6 : TCP/IP, UDP/IP, HTTP, HTTPS, SSL/TLS, SMTP, DNS, NTP, SNMPv1/v2/v3, DHCPv6, RTP, MLD, ICMP, ARP, IEEE 802.1X, DiffServ, FTP, SFTP, MQTT, LLDP IPv4 : TCP/IP, UDP/IP, HTTP, HTTPS, SSL/TLS, RTSP, RTP, RTP/RTCP, SMTP, DHCP, DNS, DDNS, NTP, SNMPv1/v2/v3, UPnP, IGMP, ICMP, ARP, IEEE 802.1X, DiffServ, SRTP, FTP, SFTP, MQTT, LLDP
Security	User authentication, Host authentication, HTTPS
No. of Simultaneous Users	Up to 14 users (Depends on network conditions)
Secure	FIPS 140-2 level 3 (NXP® EdgeLock® SE050F), Device Certificate GlobalSign® pre-installed, HTTPS, User authentication, Digest authentication, Host authentication, IEEE802.1X, System log, Image transmission log, Brute-force protection, Alteration detection, Signed Firmware (V2.50 or later)
Multi-screen	Display 16 cameras simultaneously Supports only MJPEG/JPEG (still image update)

microSD memory card	microSDXC memory card: 64 GB, 128 GB, 256 GB, 512 GB microSDHC memory card: 4 GB, 8 GB, 16 GB, 32 GB microSD memory card: 2 GB
Mobile Terminal Compatibility	iPad, iPhone (iOS 8.0 ~), Android™ terminals
ONVIF® Profile	G / M / S / T

Input/Output

Monitor Output	-
Wi-Fi USB Adapter	Yes (for adjustment)

General

Safety	CE, IEC62368-1
EMC	FCC (Part15 ClassA), ICES-003 ClassA, EN55032 ClassA, EN55035
Power Source and Power Consumption	DC5 V(USB Type-C) (USB Power Delivery not supported), 1.5 A, Approx. 7.5 w PoE (IEEE802.3af compliant) Device : DC48 V 170 mA, Approx. 8.2 W(Class 0 device)
Ambient Operating Temperature	-10 °C to +40 °C (14 °F to 104 °F) Power on : 0 °C ~ +40 °C (32 °F to 104 °F)
Ambient Operating Humidity	10 to 90 % (no condensation)
Built-in microphone	Omnidirectional Electret Condenser Microphone x2
USB port	High-speed serial interface (theoretical value: 480 Mbps) USB2.0 1 line
Waterproof	IP44 (IEC 60529)
Dimensions	Without protective cover 102 mm (W) × 48 mm (H) × 21 mm (D) {4-1/32 inches (W) × 1-7/8 inches (H) × 13/16 inches (D)} (Depth when mounting seat is installed: +29.5 mm {+1-5/32 inches}) With protective cover 103.5 mm (W) × 51 mm (H) × 24 mm (D) {4-1/16 inches (W) × 2 inches (H) × 15/16 inches (D)} (Depth when mounting seat is installed: +28 mm {+1-3/32 inches})
Mass (approx.)	Approx. 157 g (excluding the mounting base and protective cover) Approx. 169 g (excluding the mounting base, including the protective cover) Approx. 197 g (including mounting base and protective cover)
Finish	PC resin, Aluminum die-casting, i-PRO white

NOTES

Important

- Safety Precautions : Carefully read the Basic Information, Installation Guide and Operating Instructions before using this product.
- i-PRO Co., Ltd. cannot be held responsible for the performance of the network and/or other manufacturers' products used on the network.
- Masses and dimensions are approximate.
- Specifications are subject to change without notice.

Trademarks and registered trademarks

- iPad and iPhone are trademarks of Apple Inc., registered in the U.S. and other countries. - Android is a trademark of Google LLC.
- ONVIF is a trademark of ONVIF, Inc.
- All other trademarks identified herein are the property of their respective owners

OPTIONAL ACCESSORIES

Select a compatible accessory

[Accessory Selector \(i-pro.com\)](http://i-pro.com).



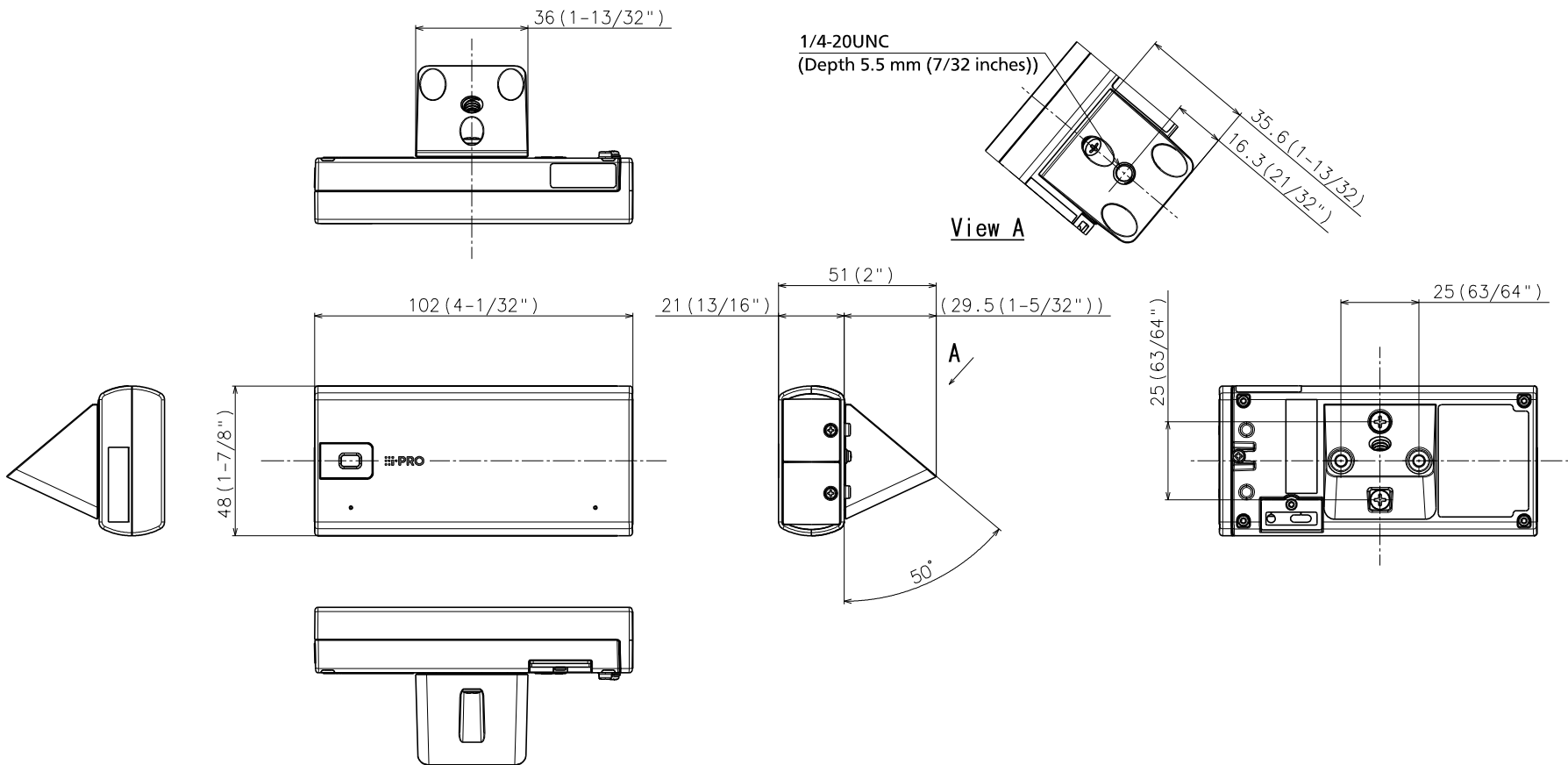
WV-QCL102-W
Universal Camera
Mount Bracket



WV-QLR100-W
Light Rail Mount
Bracket



PWM71W
Mount Bracket



Mass : Approx. 185 g {0.41 lbs}

Unit:mm