

# WV-S6532LNS

2MP (1080p) 22x IR PTZ Network Camera with Heavy Salt Damage Resistance

## H.265 Outdoor PTZ dome network camera with iA (intelligent Auto)

The WV-S6532LNS IR-PTZ camera has a powerful 22x optical zoom with infrared light (LED), plus a built in imaging stabilizer enabling Pan/Tilt 360 degree video surveillance up to 100 m under total darkness.



- Full-HD 1920x1080 up to 60fps
- Long distance IR illumination
- 22x optical zoom
- ClearSight Coating
- Durable Pan/Tilt gear mechanism
- iA (intelligent Auto)
- Color night vision (0.001 to 0.015 lx)
- Heavy salt damage resistance specifications (ISO 14993 compliant)
- IP66, IK10 certified, Defroster
- i-VMD License Bundled
- NDAA Compliant

### Precautions for heavy salt damage resistance



# SPECIFICATIONS

Camera	
Image Sensor	Approx. 1/2.8 type CMOS image sensor
Minimum Illumination	Color : 0.015 lx, BW : 0.006 lx (F1.6, Maximum shutter : Off (1/30s), AGC : 11) BW : 0 lx (F1.6, Maximum shutter : Off (1/30 s), AGC : 11, when the IR LED is lit) Color : 0.001 lx, BW : 0.0004 lx (F1.6, Maximum shutter : max. 16/30s, AGC : 11)
Intelligent Auto	On / Off
Shutter Speed	1/30 Fix to 1/10000 Fix *1/30 Fix to 2/120 Fix is available during 30 fps mode only. *1/60 Fix is available during 60 fps mode only.
Super Dynamic	On / Off, The level can be set in the range of 0 to 31.
Dynamic Range	Max.144 dB (Super Dynamic : On)
Image Settings	Gain (AGC), White balance
Image Compensation	Adaptive black stretch, Back light compensation (BLC), Fog compensation, High light compensation (HLC), Digital noise reduction
Color/BW (ICR)	Off / On (IR Light Off) / On (IR Light On) / Auto1 (IR Light Off) / Auto2 (IR Light On)
IR LED Light	High / Middle / Low / Off Maximum irradiation distance 100 m {approx. 330 ft}
Video Motion Detection (VMD)	On / Off, 4 areas available
Intelligent VMD (i-VMD)	Type4 *Bundled License
Stabilizer	On / Off (available only in the 30 fps mode)
Privacy Zone	Filling / Pixelate / Off (up to 32 zones available)
Camera Title (OSD)	On / Off, Up to 20 characters (alphanumeric characters, marks)
Lens	
Zoom Ratio	22 x Optical zoom (Motorized zoom / Motorized focus) 34x HD Extra Optical Zoom (when resolution is 1280x720)
Digital (Electronic) Zoom	16 x
Focal Length	4.25 mm – 95 mm {5/32 inches – 3-3/4 inches}
Maximum Aperture Ratio	1 : 1.6 (WIDE) – 1 : 3.7 (TELE)
Focus Range	3.0 m {9 ft 10-1/8 inches} – ∞
Angular Field of View	[16 : 9 mode] Horizontal : 3.4 ° (TELE) – 66 ° (WIDE) Vertical : 2.0 ° (TELE) – 39 ° (WIDE) [4 : 3 mode] Horizontal : 2.6 ° (TELE) – 51 ° (WIDE) Vertical : 2.0 ° (TELE) – 39 ° (WIDE)
Pan/tilt	
Panning Range	360° Endless panning
Panning Speed	Manual : Approx. 0.065°/s – 150°/s Preset : Up to approx. 300°/s
Tilting Range	Operational range : -30° – +210° Recommended range : 0° – 180°
Tilting Speed	Manual : Approx. 0.065°/s – 150°/s Preset : Up to approx. 300°/s
Preset Positions	256 positions

Auto Mode	Auto track / Auto pan / Preset sequence / Patrol
Self Return	10 s / 20 s / 30 s / 1 min / 2 min / 3 min / 5 min / 10 min / 20 min / 30 min / 60 min

### Browser GUI

Camera Control	Pan/Tilt, Zoom, Focus, Auto mode, Brightness, Preset, AUX, Rec. on SD, Log, Viewer software
Audio	Mic (Line) Input : On / Off Volume adjustment : Low / Middle / High Audio Output : On / Off Volume adjustment : Low / Middle / High
GUI / Setup Menu Language	English, Italian, French, German, Spanish, Portuguese, Russian, Chinese, Japanese

### Network

Network IF	10Base-T / 100Base-TX, RJ45 connector
Resolution H.265/H.264/JPEG (MJPEG)	<ul style="list-style-type: none"> <li>[16 : 9] 1920×1080 / 1280×720 / 640×360 / 320×180</li> <li>[4 : 3] 2048×1536* / 1280×960 / 800×600 / VGA / 400×300 / QVGA</li> </ul> *Used by super resolution techniques
H.265/H.264 -	Transmission Mode Constant bit rate / VBR / Frame rate / Best effort  Transmission Type Unicast / Multicast
JPEG - Image Quality	10 steps
Smart Coding	Smart Facial Coding* : On (Smart Facial Coding) / On (AUTO VIQS) / Off *Smart Facial Coding is only available with Stream(1). GOP(Group of pictures) control : On (Frame rate control)* / On (Advanced)* / On (Mid.) / On (Low) / Off *On (Frame rate control) and On (Advanced) are only available with H.265.
Audio Compression	G.726 (ADPCM) : 16 kbps / 32 kbps, G.711 : 64 kbps, AAC-LC : 64 kbps / 96 kbps / 128 kbps
Audio Transmission Mode	Off / Mic (Line) input / Audio output / Interactive (Half duplex) / Interactive (Full duplex)
Supported Protocol	IPv6: TCP/IP, UDP/IP, HTTP, HTTPS, RTP, FTP, SMTP, DNS, NTP, SNMP, DHCPv6, MLD, ICMP, ARP, IEEE 802.1X, DiffServ, SRTP, MQTT, LLDP IPv4: TCP/IP, UDP/IP, HTTP, HTTPS, RTSP, RTP, RTP/RTCP, FTP, SMTP, DHCP, DNS, DDNS, NTP, SNMP, UPnP, IGMP, ICMP, ARP, IEEE 802.1X, DiffServ, SRTP, MQTT, LLDP
Maximum concurrent access number	14 (Number of sessions that can connect to cameras at the same time) *Depends on network conditions
SDXC/SDHC/SD Memory Card (Option)	H.265 / H.264 recording: Manual REC / Alarm REC (Pre/Post) / Schedule REC / Backup upon network failure JPEG recording: Manual REC / Alarm REC (Pre/Post) / Backup upon network failure Compatible SDXC/SDHC/SD Memory Card: Panasonic 2 GB, 4 GB*, 8 GB*, 16 GB*, 32 GB*, 64 GB**, 128 GB**, 256 GB** model *SDHC card, **SDXC card (except miniSD card and microSD card)
Mobile Terminal Compatibility	iPad / iPhone, Android™ terminals
ONVIF Profile	G / S / T

### Alarm

Alarm Source	3 terminals input, VMD alarm, Command alarm, Audio detection alarm, Auto track alarm
Alarm Actions	SDXC/SDHC/SD memory recording, E-mail notification, HTTP alarm notification, Indication on browser, FTP image transfer, TCP alarm notification output

### Input/Output

Audio Input	ø3.5 mm stereo mini jack (Audio input is monaural.), Input impedance: Approx. 2 kΩ (unbalanced) (Applicable microphone : Plug-in power type) Supply voltage : 4.0 V ±0.5 V
Audio Output	ø3.5 mm stereo mini jack (Audio output is monaural.), Output impedance : Approx. 600 Ω (unbalanced)
External I/O Terminals	ALARM IN1(Alarm input 1/ Black & white input/ Auto time adjustment input), ALARM IN2(Alarm input 2/ ALARM OUT), ALARM IN3 (Alarm input 3/ AUX OUT) (x1 for each)

Monitor Output	Yes (for adjustment) Φ3.5mm stereo mini jack, NTSC or PAL signal can be output from camera
<b>General</b>	
Safety	UL (UL60950-1), c-UL (CSA C22.2 No.60950-1), CE, IEC60950-1
EMC	FCC (Part15 ClassA), ICES003 ClassA, EN55032 ClassA, EN55035
Power Source and Power Consumption	AC24 V 3.4 A, Approx. 55 W PoE+ (IEEE802.3at compliant): DC 54V 470 mA, Approx. 25 W(Class4 device) Tested POE Injector (60 W) : DC 54V 1.0 A, Approx. 50 W
Ambient Operating Temperature	-40 °C to +60 °C {-40 °F to +140 °F} (AC 24 V/ Tested PoE injector (60 W)) -30 °C to +60 °C {-22 °F to +140 °F} (PoE+ device) {Power On range: -30 °C to +60 °C (-22 °F to +140 °F)}
Ambient Operating Humidity	10 to 100 % (no condensation)
Dehumidification Device	Temish element+Fan/Heater
Water and Dust Resistance	IP66 (IEC60529), Type 4X (UL50E), NEMA 4X compliant
Shock Resistance	IK10 (IEC62262)
Wind Resistance	Up to 40 m/s {approx. 89 mph}
Salt Damage Resistance	ISO14993 compliant
Dimensions	Maximum ø249 mm × 465 mm (H){ø9-13/16 inches × 18-5/16 inches (H)}
Mass (Approx.)	Approx. 8.2kg {18.10 lbs} (including attachment pipe : Approx. 200 g {0.44 lbs} and cable cover.)
Finish	Main body : Aluminum die cast, Fine silver Outer fixing screws : Stainless steel (Corrosion-resistant treatment) Front Panel : Polycarbonate resin(with ClearSight coating),Clear
Other	WV-S6532LNS : Heavy salt damage resistance specifications (ISO 14993 compliant)

## NOTES

### Important

- Safety Precautions : Carefully read the Basic Information, Installation Guide and Operating Instructions before using this product.  
- i-PRO Co., Ltd. cannot be held responsible for the performance of the network and/or other manufacturers' products used on the network.

- Masses and dimensions are approximate. Specifications are subject to change without notice.

### Trademarks and registered trademarks

- iPad and iPhone are trademarks of Apple Inc., registered in the U.S. and other countries. - Android is a trademark of Google LLC.

- ONVIF is a trademark of ONVIF, Inc.

- All other trademarks identified herein are the property of their respective owners

©i-PRO Co., Ltd All rights reserved / November 2022

## OPTIONAL ACCESSORIES

Select a compatible accessory

[Accessory Selector \(i-pro.com\)](http://i-pro.com).

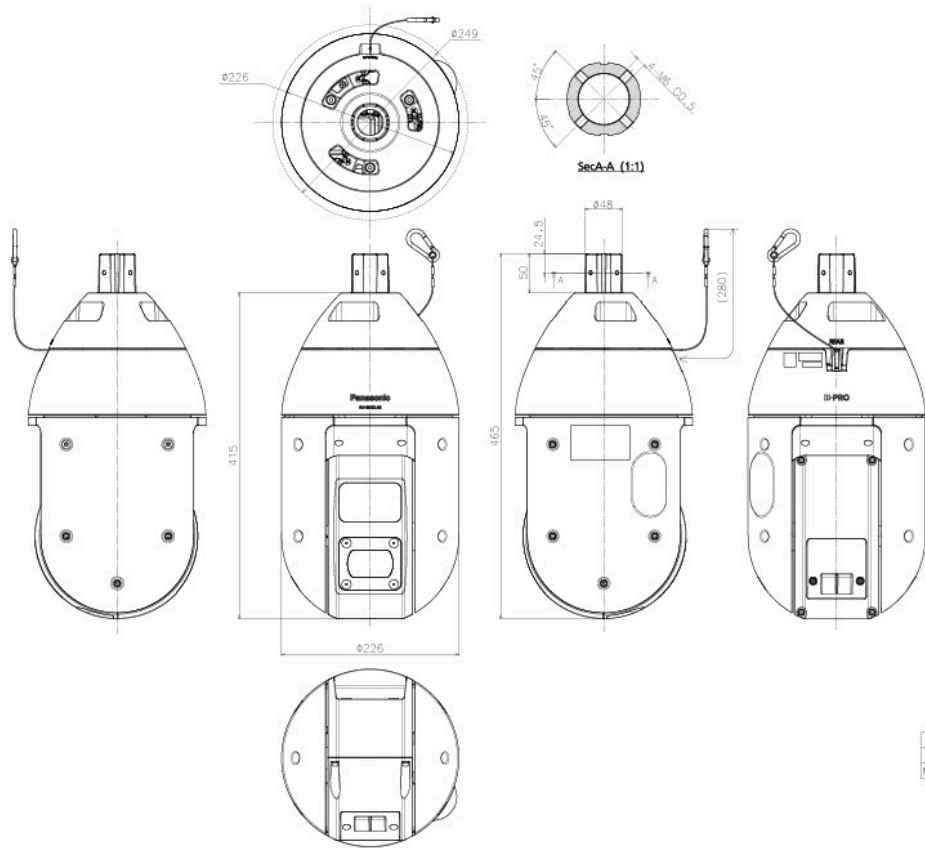


WV-Q122AS  
Mount Bracket



WV-Q121BS  
Mount Bracket

# APPEARANCE



	投影面积/Projected area
平面图/Top-view	0.041 (m <sup>2</sup> )
侧视图/Side-view	0.083 (m <sup>2</sup> )

Weight : Approx. 8.0 kg (17.66 lbs)

WV-S6532LNS