

WV-S3532LM

2MP (1080p) On-board Compact Dome Network Camera

iA (intelligent Auto) H.265 Compact Dome Camera

The WV-S3532LM is a compact & simple design multifunction camera that achieves high visibility even under extreme conditions and can be placed in a small space without damaging the landscape.



- 2MP (1080p) 1080p up to 60fps
- iA (intelligent Auto)
- Extreme Super Dynamic 144dB
- Color night vision (0.0019 to 0.03 lx)
- H.265 Smart Coding
- Built-in IR LED
- Corridor mode (90 degrees or 270 degrees in image rotation)
- i-VMD License Bundled
- NDAA Compliant



SPECIFICATIONS

Camera	
Image Sensor	Approx. 1/3 type CMOS image sensor
Minimum Illumination	Color : 0.03 lx, BW : 0.015 lx (F2.3, Maximum shutter : Off (1/30s), AGC : 11) BW : 0 lx (F2.3, Maximum shutter : Off (1/30 s), AGC : 11, when the IR LED is lit) Color : 0.0019 lx, BW : 0.0009 lx (F2.3, Maximum shutter : max. 16/30s, AGC : 11)
White Balance	AWC (2,000 ~ 10,000 K), ATW1 (2,700 ~ 6,000 K), ATW2 (2,000 ~ 6,000 K)
Maximum shutter	Max. 1/10000 s to Max. 16/30 s
Intelligent Auto	On / Off
Super Dynamic	On / Off, The level can be set in the range of 0 to 31.
Dynamic Range	Max.144 dB typ. (Super Dynamic : On)
Adaptive Black Stretch	The level can be set in the range of 0 to 255.
Back light compensation / High light compensation	BLC (Back light compensation) / HLC (High light compensation) / Off (only when Super dynamic / Intelligent Auto : Off)
Fog Compensation	On / Off (only when Intelligent auto / auto contrast adjust : Off)
Maximum gain	The level can be set in the range of 0 to 11.
Color/BW (ICR)	Off / On (IR Light Off) / On (IR Light On) / Auto1 (IR Light Off) / Auto2 (IR Light On) / Auto3 (SCC)
IR LED Light	High / Middle / Low / Off, Maximum irradiation distance : 15 m {Approx. 49 ft}
Digital Noise Reduction	The level can be set in the range of 0 to 255.
Video Motion Detection	On / Off, 4 areas available
Intelligent VMD (i-VMD)	Type 4 *Bundled License
Privacy Zone	On / Off, Up to 8 zones available
Image rotation	0 ° / 90 ° / 180 °(Upside-down) / 270 °
Mirror	On / Off
Camera Title (OSD)	Up to 20 characters (alphanumeric characters, marks), On / Off
Lens	
Zoom ratio	1 x Optical
Digital (electronic) zoom	Choose from 3 levels of x1, x2, x4
Focal Length	2.8 mm {1/8 inches}
Angular Field of View	[16 : 9 mode] Horizontal : 108° Vertical : 60° [4 : 3 mode] Horizontal : 89° Vertical : 66°
Maximum Aperture Ratio	1 : 2.3
Focus range	0.5 m {19-11/16 inches} – ∞

Adjusting Angle	
Adjusting Angle	Horizontal (PAN) angle : $\pm 45^\circ$, Vertical (TILT) angle : 0 to $+90^\circ$, Azimuth (YAW) angle : $\pm 90^\circ$
Browser GUI	
Camera Control	Brightness
GUI/Setup Menu Language	English, Italian, French, German, Spanish, Portuguese, Russian, Chinese, Japanese
Network	
Network IF	10Base-T / 100Base-TX, M12 connector
Resolution H.265/ H.264 JPEG (MJPEG)	<ul style="list-style-type: none"> •2 mega pixel [16 : 9] (30/60 fps) 1,920 x 1,080 / 1,280 x 720 / 640 x 360 / 320 x 180 •3 mega pixel [4 : 3] (30 fps) 2,048 x 1,536 / 1,280 x 960 / 800 x 600 / 640 x 480 / 400 x 300 / 320 x 240
H.265/ H.264	[Transmission Mode] Constant bit rate / VBR / Frame rate / Best effort [Transmission Type] Unicast / Multicast
JPEG	[Image Quality] 10 steps
Smart Coding	GOP(Group of pictures) control [When H.264 is selected] On(Mid) / On(Low) / Off [When H.265 is selected] On(Frame rate control) / On(Advanced) / On(Mid) / On(Low) / Off Smart Facial Coding* Off / On(AUTO VIQS) / On(Smart Facial Coding) *Smart Facial Coding is only available with Stream(1).
Audio Compression	G.726 (ADPCM) : 16 kbps / 32 kbps G.711 : 64 kbps AAC-LC : 64 kbps / 96 kbps / 128 kbps
Supported Protocol	IPv6 : TCP/IP, UDP/IP, HTTP, HTTPS, RTP, FTP, SMTP, DNS, NTP, SNMP, DHCPv6, MLD, ICMP, ARP, IEEE 802.1X, DiffServ, SSL/TLS, SRTP, SFTP, MQTT, LLDP IPv4 : TCP/IP, UDP/IP, HTTP, HTTPS, RTSP, RTP, RTP/RTCP, FTP, SMTP, DHCP, DNS, DDNS, NTP, SNMP, UPnP, IGMP, ICMP, ARP, IEEE 802.1X, DiffServ, SSL/TLS, SRTP, SFTP, MQTT, LLDP
No. of Simultaneous Users	Up to 14 users (Depends on network conditions)
microSDXC/microSDHC/ microSD Memory Card	H.265 / H.264 recording : Manual REC / Alarm REC (Pre/Post) / Schedule REC / Backup upon network failure JPEG recording : Manual REC / Alarm REC (Pre/Post) / Backup upon network failure Compatible microSDXC/microSDHC/microSD Memory Card : Panasonic 2 GB, 4 GB*, 8 GB*, 32 GB*, 64 GB**model *microSDHC card, **microSDXC card
Mobile Terminal Compatibility	iPad, iPhone, AndroidTM terminals
ONVIF® Profile	G / S / T
Alarm	
Alarm Source	VMD alarm, Command alarm, Audio detection alarm
Alarm Actions	microSDXC/microSDHC/microSD memory recording, E-mail notification, HTTP alarm notification Indication on browser, FTP image transfer, TCP alarm notification output
Input/Output	
Built-in microphone	Nondirectional electret condenser microphone

Monitor Output	-
General	
Safety	UL (UL60950-1 2Ed), c-UL (CAN/CSA C22. NO.60950-1-07), CE, IEC60950-1 EN45545-2 compliant, NFPA130
EMC	FCC (Part15 Subpart B, ClassA, SDoC), ICES-003 ClassA, EN55032 ClassB, EN55035, ECE-R10, EN50498, EN50121
Power Source and Power Consumption	PoE (IEEE802.3af compliant, alternative A) Device : DC48 V 80 mA, Approx. 3.8 W (Class 2 device)
Ambient Operating Temperature	-40 °C to +60 °C (-40 °F to 140 °F) {Power On range : -20 °C to +60 °C (-4 °F to +140 °F)}
Ambient Operating Humidity	10 to 100 % (no condensation)
Water and Dust Resistance	IP66 (IEC60529), Type 4X(UL50), NEMA 4X compliant
Shock Resistance	IK10 (IEC 62262)
Wind Resistance	Up to 40 m/s {approx. 89 mph}
Railway Application	EN50155 : 2017 Class OT2/ST2 (EN 50155 : 2007 Class TX), IEC62236-3-2
Dimensions	ø109 mm x 53 mm (H) {ø4-9/32 inches x 2-3/32 inches (H)} Dome radius 27 mm {1-1/16 inches}
Mass (Approx.)	Approx. 410 g {0.91 lbs}
Finish	Main body : Aluminum die cast, Light gray Dome section : Polycarbonate resin, Clear

NOTES

Important

- Safety Precautions : Carefully read the Basic Information, Installation Guide and Operating Instructions before using this product.
- i-PRO Co., Ltd. cannot be held responsible for the performance of the network and/or other manufacturers' products used on the network.
- Masses and dimensions are approximate. Specifications are subject to change without notice.

Trademarks and registered trademarks

- iPad and iPhone are trademarks of Apple Inc., registered in the U.S. and other countries. - Android is a trademark of Google LLC.
- ONVIF is a trademark of ONVIF, Inc.
- All other trademarks identified herein are the property of their respective owners

©i-PRO Co., Ltd All rights reserved / November 2022

OPTIONAL ACCESSORIES

Select a compatible accessory

[Accessory Selector \(i-pro.com\)](http://i-pro.com).



WV-QWL500-G
Mount Bracket



WV-QJB500-G
Mount Bracket

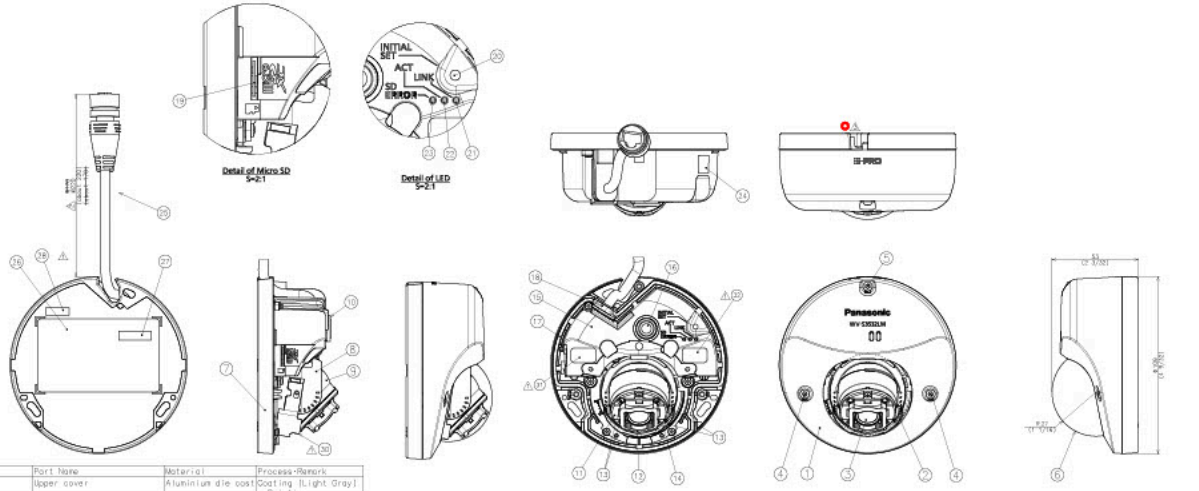


WV-Q182
Mount Bracket



WV-CW6SA
Dome Cover

APPEARANCE



No.	Part Name	Material	Process/Remark
1	Upper cover	Aluminium die cast	Coating [Light Gray]
2	Concord unit		Printing
3	Lens		
4	Enclosure fixing screw	Stainless Steel	L=1.3mm
5	Enclosure fixing screw	Stainless Steel	L=28.5mm
6	Dome cover	PC	Clear
7	Lower cover	Aluminium die cast	Coating [Light Gray]
8	Lens cover	PC/PD305	Black
9	Lens unit		
10	Microphone sponge	PORON	
11	IR LED cover	PC/ABS	Black
12	Light-blocking rubber ring	Silicone rubber	Black
13	IR LED		
14	TILT/PAK fixing screw	Steel	
15	Inner cover	ABS	Black
16	Built-in microphone		
17	Waterproof rubber	Silicone rubber	Black
18	Waterproof rubber	Silicone rubber	Light Gray
19	SD slot		
20	INITIAL SET button		
21	LINK indicator		
22	ACT indicator		
23	SD ERROR indicator		
24	Data Matrix label	Polyester Film	Printing
25	M12 (female) network cable		
26	Home plate	Polyester Film	Printing
27	Serial number label	Polyester Film	Printing
28	Code label	Polyester Film	Printing
29	Template		
30	Light-blocking sheet	PC sheet	Black
31	Caution label	Polyester Film	Printing
32	Caution label	Polyester Film	Printing

Projected area	0.905x2
Side-view	0.004x2

WV-S3532LM