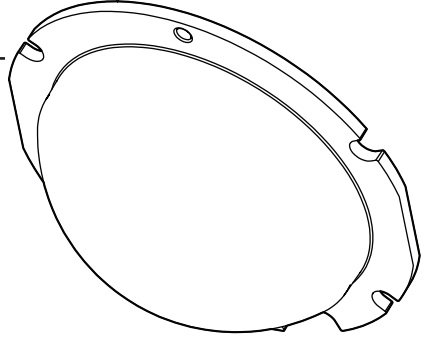


Installation Guide

Included Installation Instructions

Dome Cover

Model No. WV-QDC509CN



- Before attempting to connect or install this product, please read these instructions carefully and save this manual for future use.
- The external appearance and other parts shown in this manual may differ from the actual product within the scope that will not interfere with normal use due to improvement of the product.
- Read also the installation guide of the camera to be used.

i-PRO Co., Ltd. assumes no responsibility for injuries or property damage resulting from failures arising out of improper installation or operation inconsistent with this documentation.

“<Control No.: C****>” used in these documents should be used to search for information on our technical information website (https://i-pro.com/products_and_solutions/en/surveillance/learning-and-support/knowledge-base/technical-information) and will guide you to the right information.



i-PRO Co., Ltd.

<https://www.i-pro.com/>

Caution:

- Before attempting to connect or operate this product, please read these instructions carefully.

Precaution**■ Do not use this product except with suitable cameras.**

Failure to observe this may cause a drop resulting in injury or accidents.

■ Refer installation work or dome cover replacement to the dealer.

Installation work requires technique and experiences.

Failure to observe this may cause fire, electric shock, injury, or damage to the product.

Be sure to consult the dealer.

■ The screws and bolts must be tightened to the specified torque.

Failure to observe this may cause a drop resulting in injury or accidents.

When using this product, also read the “Precautions” described in the operating instructions for the camera to be attached.

Preface

This product is the clear type dome cover.



The latest information about the supported cameras
<Control No.: C0501>

Specifications

| | |
|--------------------------------|---|
| Ambient operating temperature: | -50 °C to +60 °C {-58 °F to 140 °F} |
| Dimensions: | ø111 mm × 38.5 mm (H) {ø4-3/8 inches × 1-17/32 inches (H)} Diameter of the dome: 48.5 mm {1-29/32 inches} |
| Mass: | Approx.60 g {0.13 lbs} |
| Finish: | PC resin, Clear (with ClearSight coating) |

Precaution for installation

■ Screw tightening

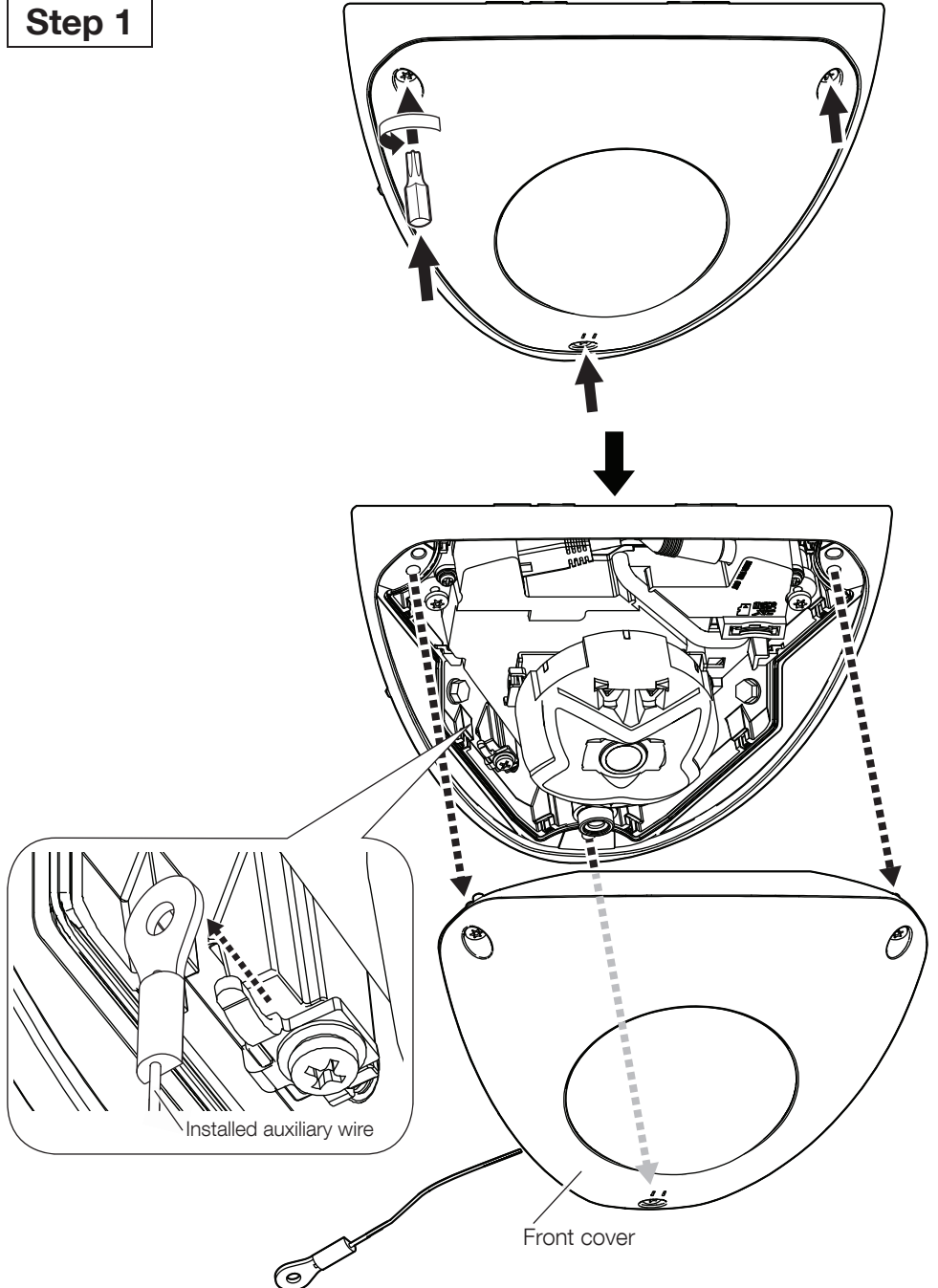
Do not use an impact driver. Use of an impact driver may damage the screws or cause tightening excessively.

■ Cleaning of Dome cover

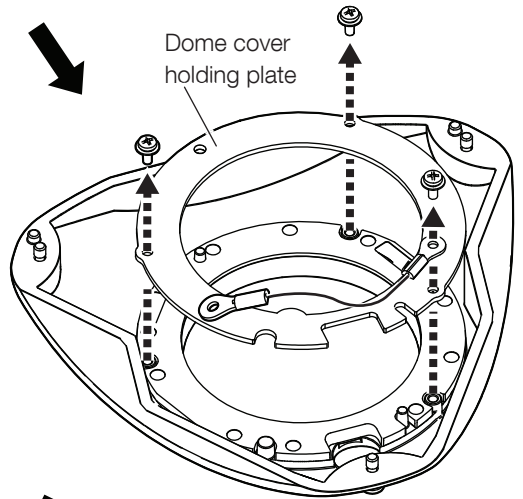
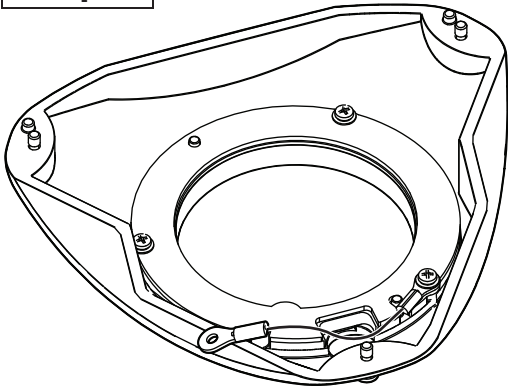
- To clean the Dome cover, wash out hard sand grains and other adhered materials by pouring fresh water containing no lubricant or silicone substance using a hose or spray. If the stain is not removed, wipe with a soft sponge soaked with the above fresh water.
- Do not wipe dry (e.g., spread oil on surfaces or damage the ClearSight coating).
- Use neutral detergent for dishware and rinse thoroughly after use if dirt does not come off after wiping. If detergents other than neutral (weakly alkaline or slightly acidic) are used, the performance of the surface coating may deteriorate or the surface coating may peel off.
- Do not use organic solvents such as benzene and thinner.
- If spraying is used, use it after emptying to remove the initial impurities.

Installation

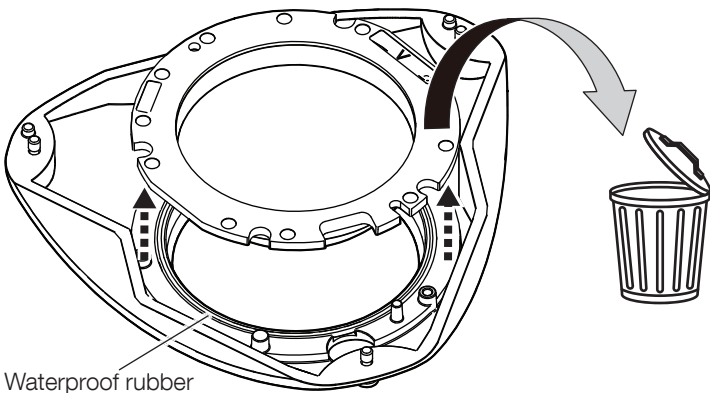
Step 1



Step 2



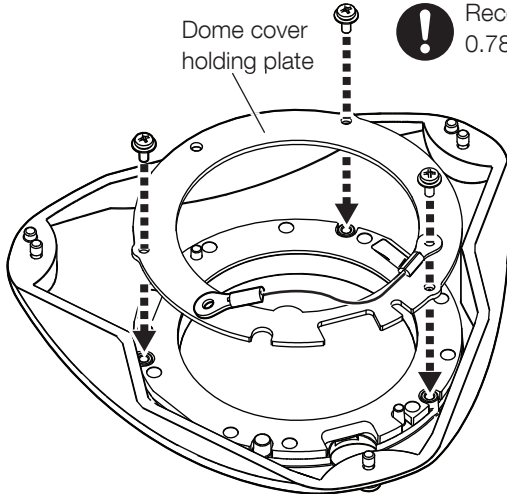
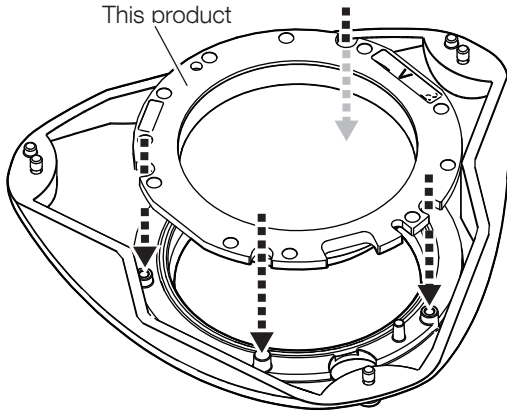
- It is recommended to check whether the waterproof rubber is deteriorated. When it has deteriorated, the waterproof performance will decrease, so consider repairing it.



Step 3



- When replacing the dome cover, remove the protection film covering outside this product. After replacement, attach the protection film back to the outside this product. (Handle the new dome cover with care not to scratch inside and outside.)



Recommended tightening torque:
0.78 N·m {0.58 lbf·ft}

Step 4

Attach the front cover to the camera.

Refer to the Installation Guide of the camera for more information about installing the camera.



Recommended tightening torque:
0.78 N·m {0.58 lbf·ft}