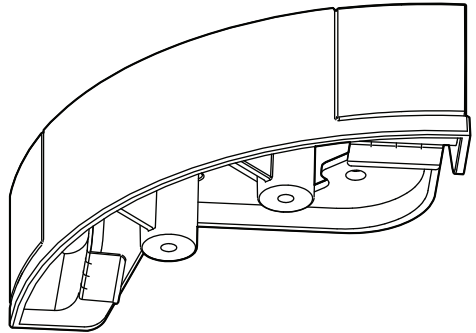


Installation Guide

Included Installation Instructions

Base Bracket

Model No. WV-QJB506



- Before attempting to connect or install this product, please read these instructions carefully and save this manual for future use.
- The external appearance and other parts shown in this manual may differ from the actual product within the scope that will not interfere with normal use due to improvement of the product.

i-PRO Co., Ltd. assumes no responsibility for injuries or property damage resulting from failures arising out of improper installation or operation inconsistent with this documentation.

"<Control No.: C***>" used in these documents should be used to search for information on our technical information website (https://i-pro.com/products_and_solutions/en/surveillance/learning-and-support/knowledge-base/technical-information) and will guide you to the right information.



i-PRO Co., Ltd.

<https://www.i-pro.com/>

Caution:

- Before attempting to connect or operate this product, please read these instructions carefully.

Notice:

- This product is not suitable for use in locations where children are likely to be present.
- Do not install this product in locations where ordinary persons can easily reach.
- For information about screws and other parts required for installation, refer to the corresponding section of this document.

Precautions

■ Do not use this bracket except with suitable cameras.

Failure to observe this may cause a drop resulting in injury or accidents.

■ Refer installation work to the dealer.

Installation work requires technique and experience.

Failure to observe this may cause fire, electric shock, injury, or damage to the product.

Be sure to consult the dealer.

■ The screws and bolts must be tightened to the specified torque.

Failure to observe this may cause a drop resulting in injury or accidents.

■ Install the product accurately and securely on the installation surface in accordance with the installation instructions.

Failure to observe this may cause injury or accidents.

■ Do not rub the edges of metal parts with your hand.

Failure to observe this may cause injury.

When using this product, also read the “Precautions” described in the operating instructions for the camera to be attached.

Preface

This product is a base bracket for a camera.

Use this product when installing the camera to the installation surface and when using a conduit to make wiring.



The latest information about the supported cameras <Control No.: C0501>

Specifications

Ambient operating temperature:	-50 °C to +60 °C {-58 °F to +140 °F}
Dimensions:	197 mm (W) × 50 mm (H) × 138 mm (D) {7-3/4 inches (W) × 1-31/32 inches (H) × 5-7/16 inches (D)}
Mass:	Approx. 490 g {1.08 lbs}
Finish:	Aluminum die cast, Black <WV-QJB506-B>

Precautions for installation

- In order to prevent injury, this product must be securely mounted to the installation surface according to Installation Guide.
- Make sure to remove this product if it will no longer be used.

Standard Accessories

Camera mounting screw (M5 x 20 mm {25/32 inches}) 3 pcs. (of them, 1 for spare)

Other items that are needed (not included)

- Mounting screws

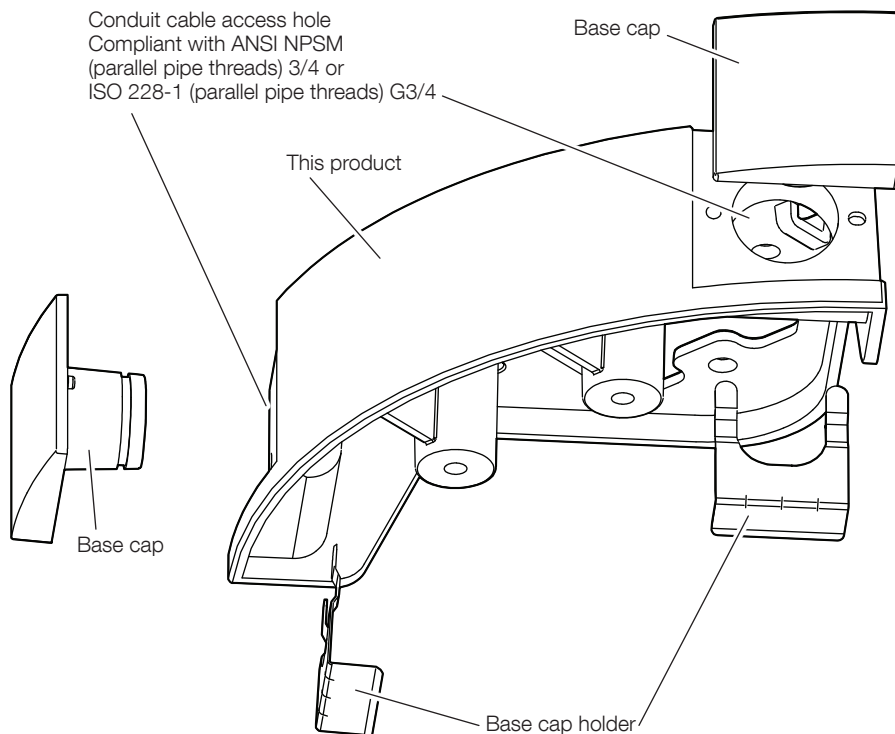
Installation method	Recommended screw* ¹	Minimum pull-out strength* ²
Directly mount this product onto the installation surface.	M5 × 30 mm {1-3/16 inches}* ³ × 3 pcs.	196 N {44 lbf}

*1 Select screws according to the material of the location that the camera will be mounted to. In this case, wood screws and nails should not be used.

*2 This value indicates the minimum pull-out strength required value per screw.
For information about the minimum pull-out strength, refer to our technical information website <Control No.: C0120>.

*3 The screw length is an example when installing the camera on a robust ceiling with a thickness of 35 mm {1-3/8 inches} or more.

Parts and functions



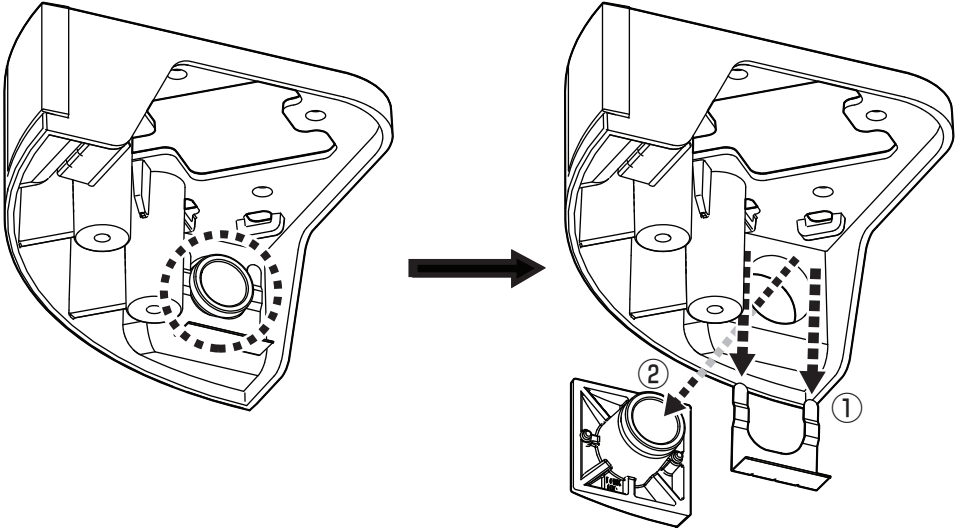
Installation

Step 1 Preparations

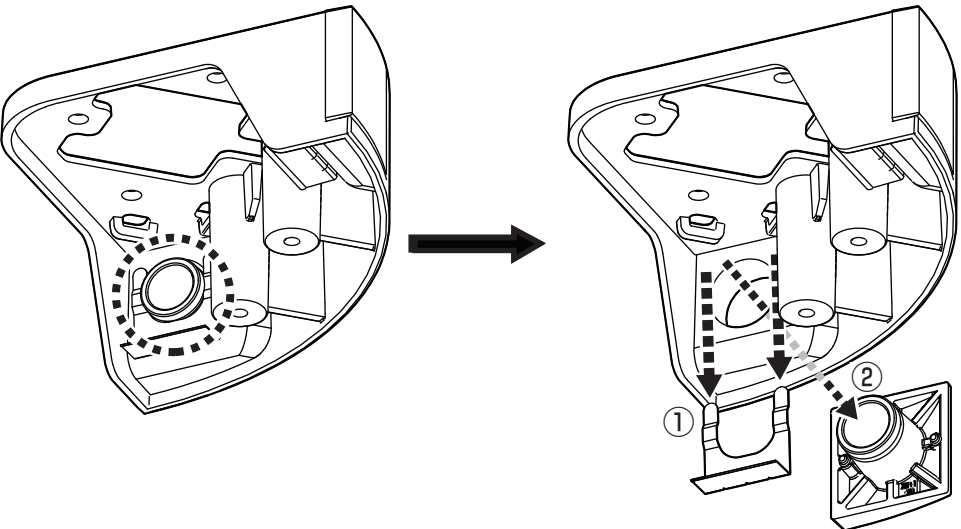
Note:

- Refer to the Installation Guide of the camera for more information about preparing to install the camera.

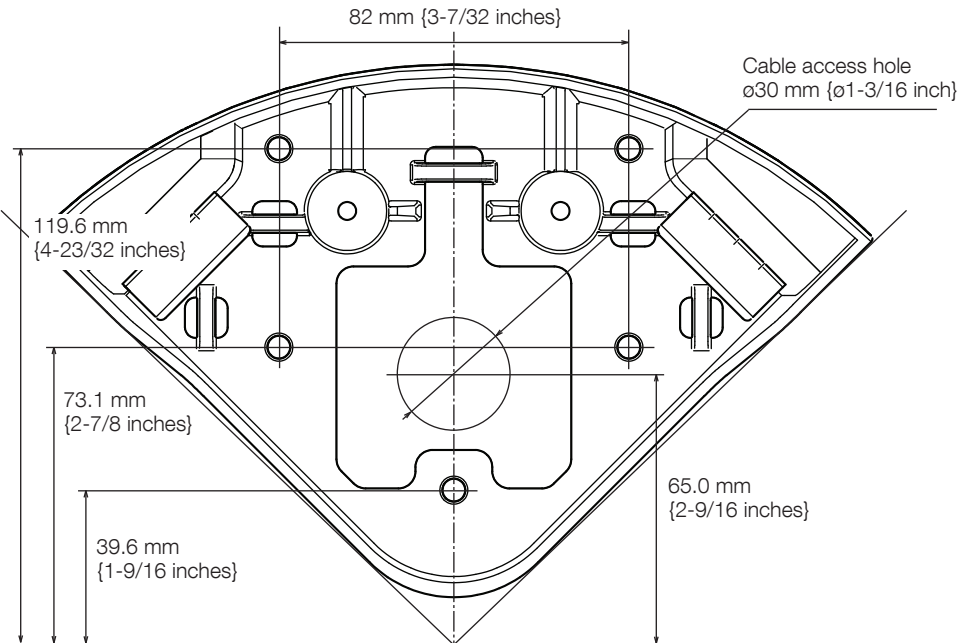
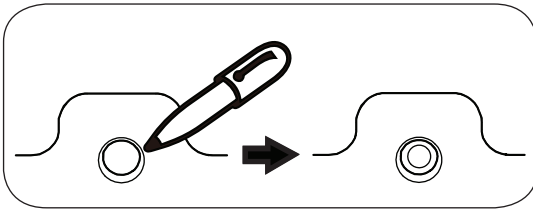
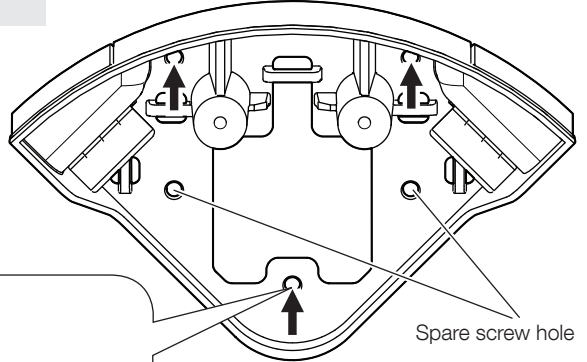
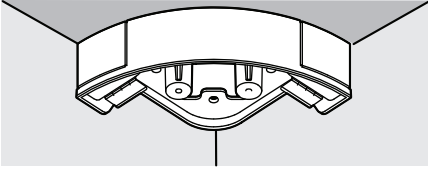
■ **When installing the conduit from the left side of this product**



■ **When installing the conduit from the right side of this product**



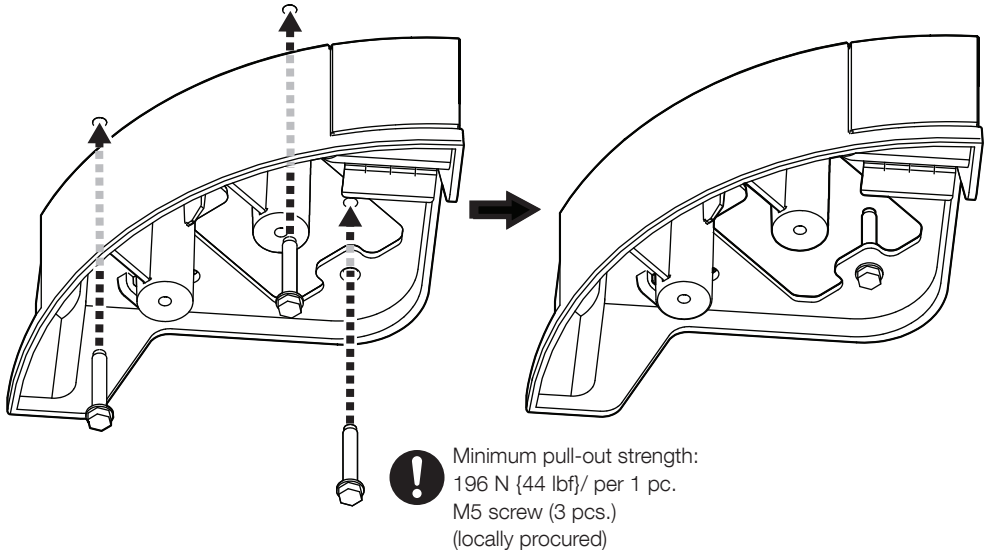
Step 2



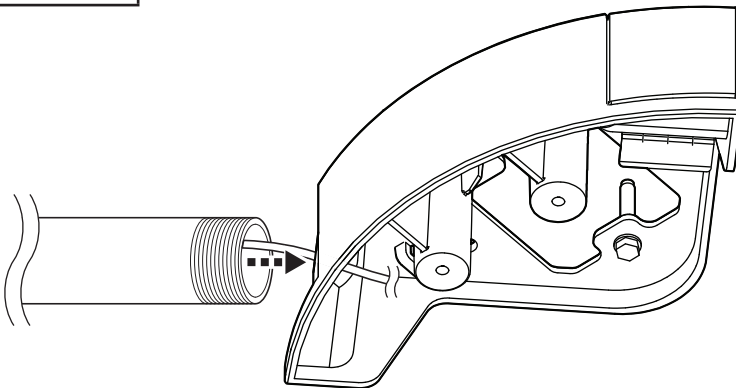
Step 3

Note:

- The following illustrations explain the case where the conduit is attached from the left side of this product.
- The following is a description of connecting only an Ethernet cable as an example. Refer to the operating instructions of the camera when using a monitor cable and I/O cable.



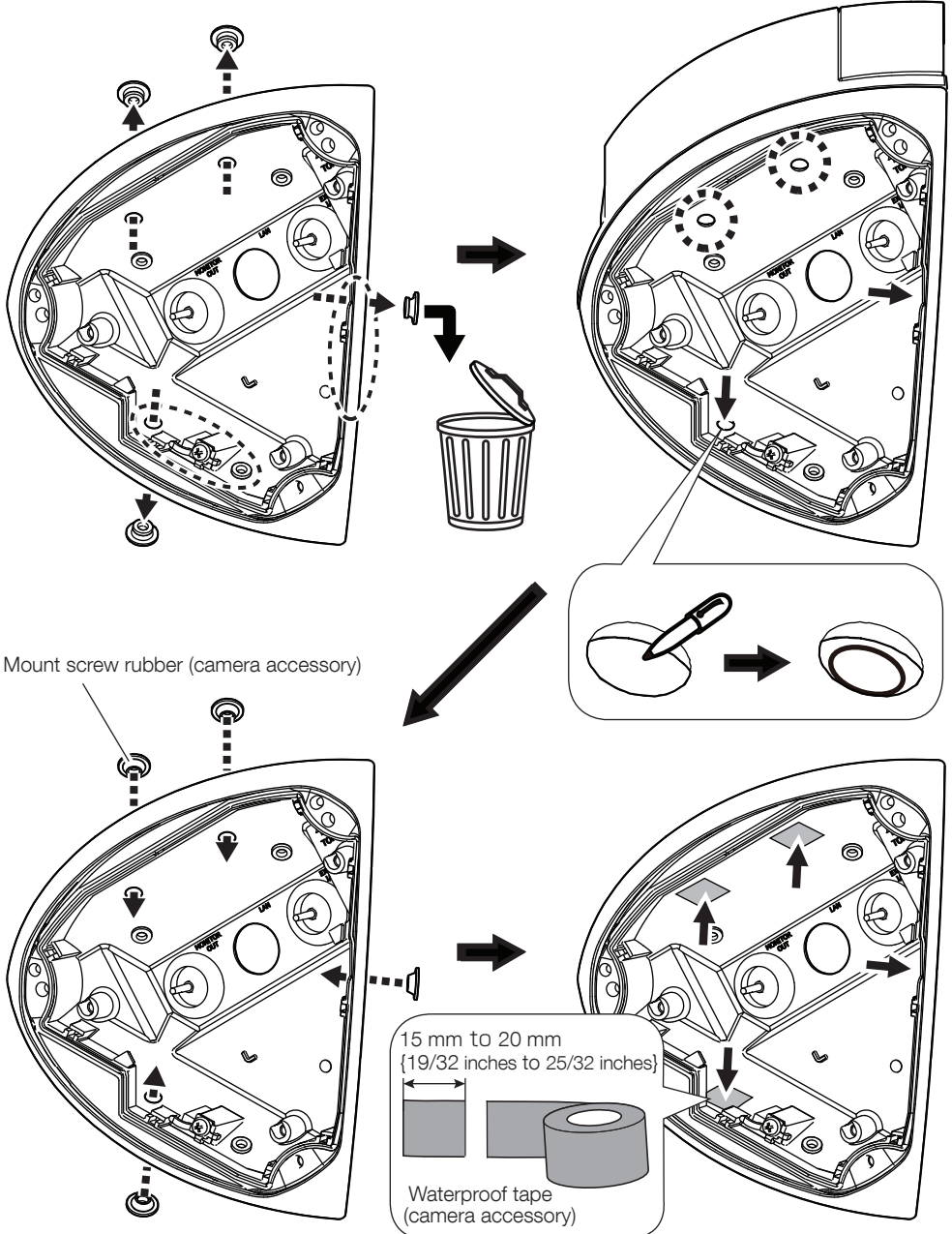
Step 4



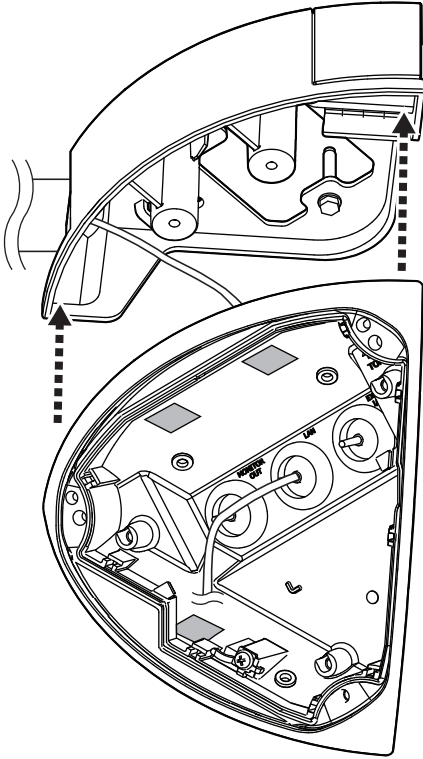
Step 5

Note:

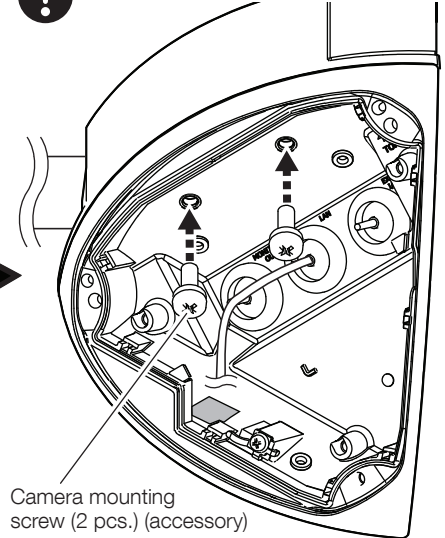
- Select two screw holes to be used for fixing this unit from the four screw holes on the left and right sides of this unit, and remove the mount rubber from those screw holes.



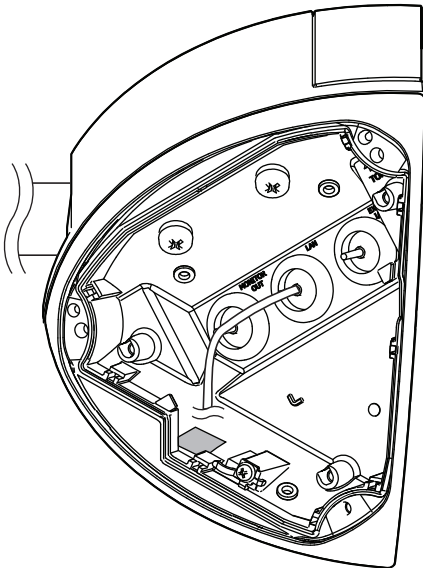
Step 6



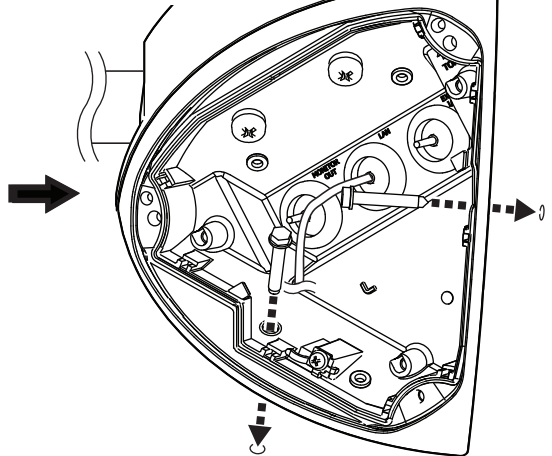
! Remove the waterproof tape



! Recommended tightening torque:
1.57 N·m {1.16 lbf·ft}



! Minimum pull-out strength:
196 N {44 lbf/ per 1 pc.
M5 screw (2 pcs.)
(locally procured)



Step 7

Attach the inner case and the front cover to the camera.

Refer to the Installation Guide of the camera for more information about installing the camera.