

WV-X66600-Z3LK

6MP Outdoor 30x PTZ Network Camera with AI engine

Rapid PTZ camera with AI engine and IR-LED



- 6MP 30x PTZ camera
- Innovative New Form Factor PTZ
- Up to 3 Edge AI analytic apps
- AI auto tracking
- Built-in IR-LED (200m/656ft)
- High speed Pan/Tilt drive (Pan: 700deg./s, Tilt: 500deg./s)
- Heavy salt damage resistance specifications (ISO 14993 compliant)
- IP66, IK10 certified
- Built-in FIPS 140-2 Level 3 Certified SecureElement (EdgeLock® SE050F NXP® Semiconductors)
- NDAA Compliant

Precautions for heavy salt damage resistance



SPECIFICATIONS

| Camera | |
|--------------------------------------------------|------------------------------------------------------------------------------------------------------------------------------------------------------------------------------------------------------------------------------------------------------------------------------------------------------------------------------------------------------------------------------------------------------------------------------------------------------------------------------------------------------------------------------------------------------------------------------------------------------------------------------------------------------------------------------|
| Image Sensor | Approx. 1/2.8 type CMOS image sensor |
| Scanning Area | 5.57 mm (H) × 3.13 mm (V) {7/32 inches (H) × 1/8 inches (V)} |
| Minimum Illumination | Color : 0.13 lx (30IRE, F1.8, 1/30s) Color : 0.19 lx (50IRE, F1.8, 1/30s) BW : 0 lx (50IR, F1.8, 1/30s with IR LED) BW : 0.1 lx (50IRE, F1.8, 1/30s) |
| White Balance | ATW1 / ATW2 / AWC |
| Shutter Speed | [30 fps mode] 1/30 Fix to 1/10000 Fix [25 fps mode] 1/25 Fix to 1/10000 Fix |
| Maximum shutter | [30 fps Mode] Max.1/4000s to Max.16/30s [25 fps Mode] Max.1/4000s to Max.16/25s |
| Intelligent Auto | On / Off |
| Super Dynamic | On / Off, The level can be set in the range of 0 to 31. |
| Dynamic Range | Max.132 dB (Super Dynamic : On, Level 31) |
| Adaptive Black Stretch | The level can be set in the range of 0 to 255. |
| Back Light Compensation/ High Light Compensation | BLC (Back light compensation) / HLC (High light compensation) / Off The level can be set in the range of 0 to 31 (only when Super dynamic / Intelligent Auto : Off) |
| Fog Compensation | On / Off, The level can be set in the range of 0 to 8 (only when Intelligent auto / auto contrast adjust : Off) |
| Maximum Gain (AGC) | The level can be set in the range of 0 to 11. |
| Color/BW (ICR) | Off / On (IR Light Off) / On (IR Light On) / Auto1 (IR Light Off) / Auto2 (IR Light On) / Auto3 (SCC) |
| IR LED Light | High/ Middle/ Low/ Off Maximum irradiation distance : 280 m {Approx. 920 ft} (30IRE)* 200 m {Approx. 660 ft} (50IRE) ※Converted value |
| Digital Noise Reduction | The level can be set in the range of 0 to 255. |
| Video Motion Detection (VMD) | On / Off, 4 areas available |
| Scene Change Detection (SCD) | On / Off, 1 areas available |
| Audio Detection | On / Off |
| AI Sound Classification | Gunshot, Yell, Vehicle horn, Glass break |
| AI Analytics | AI Video Motion Detection, AI Privacy Guard, AI Face Detection, AI People Detection, AI Vehicle Detection, AI Non mask Detection, AI Occupancy Detection, AI Scene Change Detection For details : https://i-pro.com/products_and_solutions/en/surveillance/products/analytics-software 3rd party applications are also available. https://i-pro.com/products_and_solutions/en/surveillance/solutions/edge-ai-platform/application-list |
| Privacy Zone | On / Off, Up to 32 zones available |
| VIQS | On / Off, Up to 8 zones available |
| Image Stabilizer | On / Off (Built-in gyro sensor) |
| Image Rotation | On / Off |
| Camera Title (OSD) | On / Off, Up to 40 characters (alphanumeric characters, marks) |

| Lens | |
|------------------------|---------------------------------------------------------------------------------------------|
| Optical zoom | 30x (Motorized zoom / Motorized focus) |
| Extra zoom | Max. 78x (30x - 78x when resolution is 1280x720) |
| Focal length | 4.5mm - 135mm (3/16 inches - 5-5/16 inches) |
| Angular Field of View | [16 : 9 mode] Horizontal : 2.5° (TELE) – 62° (WIDE), Vertical : 1.4° (TELE) – 37° (WIDE) |
| Maximum Aperture Ratio | 1 : 1.8 (WIDE) – 1 : 4.7 (TELE) |
| Focus range | 3.0 m {118-1/8 inches} –∞ |
| Aperture range | F1.8 – close |

| DORI | |
|----------------------------|-------------------------------------------------------|
| Detect (25ppm / 8ppf) | Wide: 110.8 m / 363.4 ft, Tele: 3050.4 m / 10007.9 ft |
| Observe (62.5ppm / 19ppf) | Wide: 44.3 m / 145.4 ft, Tele: 1220.2 m / 4003.2 ft |
| Recognize (125ppm / 38ppf) | Wide: 22.2 m / 72.7 ft, Tele: 610.1 m / 2001.6 ft |
| Identify (250ppm / 76ppf) | Wide: 11.1 m / 36.3 ft, Tele: 305.0 m / 1000.8 ft |

| System on Chip (SoC) | |
|----------------------|----------------|
| System on Chip (SoC) | Ambarella CV22 |

| Adjusting Angle | |
|-----------------|------------------------------------------------------------------|
| Adjusting Angle | Horizontal : 360° Endless Panning, TILT : -20° to +90°, Yaw : 0° |

| Pan /tilt | |
|-------------------|------------------------------------------------------------------------------|
| Panning Range | 360° Endless panning |
| Panning Speed | Manual: Approx. 0.065°/s – 150°/s Preset: Up to approx. 700°/s |
| Tilting Range | Operational range -20° – +90° |
| Tilting Speed | Manual: Approx. 0.065°/s –150°/s Preset: Up to approx. 500°/s |
| Preset Positions | 256 positions |
| Auto Mode | Auto track/ Auto pan/ Preset sequence/ Patrol |
| Self Return | 10 s/ 20 s/ 30 s/ 1 min/ 2 min/ 3 min/ 5 min/ 10 min/ 20 min/ 30 min/ 60 min |
| Active ClearSight | Yes |

| Browser GUI | |
|---------------------------|-----------------------------------------------------------------------------------|
| GUI / Setup Menu Language | English, Italian, French, German, Spanish, Portuguese, Russian, Chinese, Japanese |
| Browser *1 | Microsoft Edge, Firefox, Google Chrome |

| Network | |
|-----------------------------------------|-------------------------------------------------------------------------------------------------------------------------------------------------------|
| Network IF | 10Base-T / 100Base-TX, RJ45 connector |
| Resolution H.265/ H.264/ JPEG (MJPEG) | [16:9 mode (30 fps mode)] [16:9 mode (25 fps mode)] 3328x1872/ 2560x1440/ 1920x1080/ 1280x720/ 640x360/ 320x180 |
| H.265/H.264 Transmission Mode / Type *2 | [Transmission Mode] Constant bit rate / VBR / Frame rate / Best effort [Transmission Type] Unicast port (AUTO) / Unicast port (MANUAL) / Multicast |
| JPEG | [Image Quality] 10 steps |

| | |
|-----------------------------------|----------------------------------------------------------------------------------------------------------------------------------------------------------------------------------------------------------------------------------------------------------------------------------------------------------------------------------------------------------------------------------------|
| Smart Coding | GOP (Group of pictures) control: Off / Low (Variable GOP 1s-8s) / Mid (Variable GOP 4s-16s) / Advanced (Fixed GOP 60s w/1s key-frame) / Frame rate control (Variable GOP 4s-16s with frame rate control) *Advanced and Frame rate control are only available with H.265. Smart VIQS: On (High) / On (Low) / Off, Smart P-picture control: On / Off |
| Audio compression method *3 | G.726 (ADPCM) : 16 kbps / 32 kbps, G.711 : 64 kbps, AAC-LC : 64 kbps / 96 kbps / 128 kbps |
| Audio Transmission Mode | Off / Mic (Line) input / Audio output / Interactive (Half duplex) / Interactive (Full duplex) |
| Supported Protocol | IPv6 : TCP/IP, UDP/IP, HTTP, HTTPS, SSL/TLS, SMTP, DNS, NTP, SNMPv1/v2/v3, DHCPv6, RTP, MLD, ICMP, ARP, IEEE 802.1X, DiffServ IPv4 : TCP/IP, UDP/IP, HTTP, HTTPS, SSL/TLS, RTSP, RTP, RTP/RTCP, SMTP, DHCP, DNS, DDNS, NTP, SNMPv1/v2/v3, UPnP, IGMP, ICMP, ARP, IEEE 802.1X, DiffServ, SRTP, MQTT, NTCIP |
| No. of Simultaneous Users | Up to 14 users (Depends on network conditions) |
| Secure | FIPS 140-2 level 3 (NXP® EdgeLock® SE050F), Device Certificate GlobalSign® pre-installed, HTTPS, User authentication, Digest authentication, Host authentication, IEEE802.1X, System log, Image transmission log, Brute-force protection, Alteration detection |
| SDXC/SDHC/SD Memory Card (Option) | H.265 / H.264 recording : Manual REC / Alarm REC (Pre/Post) / Schedule REC / Backup upon network failure JPEG recording : Manual REC / Alarm REC (Pre/Post) / Backup upon network failure Compatible SDXC/SDHC/SD Memory Card : microSDXC memory card : 64 GB, 128 GB, 256 GB, 512 GB microSDHC memory card : 4 GB, 8 GB, 16 GB, 32 GB microSD memory card : 2 GB |
| Mobile Terminal Compatibility | iPad, iPhone (iOS 8.0 or later), Android™ terminals |
| ONVIF® Profile | G / M / S / T |

Alarm

| | |
|---------------|-------------------------------------------------------------------------------------------------------------------------------------|
| Alarm Source | 3 terminals input, VMD alarm, Command alarm, Audio detection alarm |
| Alarm Actions | SDXC/SDHC/SD memory recording, E-mail notification, HTTP alarm notification Indication on browser, TCP alarm notification output |

Input/Output

| | |
|---------------------------|------------------------------------------------------------------------------------------------------------------------------------------------------------------------------------------------------------------------------------------------------------------------------------|
| Audio Input *4 | ø3.5 mm stereo mini jack Recommended applicable microphone: Plug-in power type (Sensitivity of microphone: -51dB to -38dB (0 dB=1 V/Pa, 1 kHz)) Input impedance: Approx. 2 kΩ (unbalanced) Supply voltage: 4.0V±0.5V For line input : Input level : Approx. -10 dBV |
| Audio Output *4 | ø3.5 mm stereo mini jack (Audio output is monaural.) Output impedance: Approx. 600 Ω (unbalanced) Output level: -20 dBV |
| External I/O Terminals *4 | ALARM IN 1 (Alarm input 1/ Black & white input/ Auto time adjustment input) (x1) ALARM IN 2 (Alarm input 2/ ALARM OUT) (x1), ALARM IN 3 (Alarm input 3/ AUX OUT) (x1) |
| Monitor Output | - |

General

| | |
|------------------------------------|------------------------------------------------------------------------------------------------------------------------------------------------------------------------------------------------------------------------------------------------------------------------------------------------|
| Safety | UL (UL62368-1), c-UL (CSA C22.2 No.62368-1), CE, IEC62368-1 |
| EMC | FCC (Part15 ClassA), ICES-003 Issue 7 ClassA, EN55032 ClassA, EN55035 |
| Other Standard | NEMA-TS2 |
| Power Source and Power Consumption | PoE++ (IEEE802.3bt compliant) DC 54 V : 850 mA/Approx. 45.9 W (Class 6 device) |
| Ambient Operating Temperature | -50 °C to 60 °C * {-58 °F to 140 °F} (Power On range: -30 °C to +60 °C {-22 °F to 140 °F}) Maximum temperature according to NEMA TS 2 (2.2.7) : 74°C(165°F) * When using with the IR LED light constantly lit, the upper limit of the operating temperature range is +50°C {+122 °F}. |
| Ambient Operating Humidity | 10 to 100 % (no condensation) |

| | |
|---------------------------|-----------------------------------------------------------------------------------------------------------------------------------------------------------------------------------------------------------------------------------|
| Water and Dust Resistance | IP66, IEC60529 measuring standard compatible, Type 4X(UL50E), NEMA 4X compliant |
| Shock Resistance | IK10 (IEC 62262) |
| Wind Resistance | Up to 40 m/s {approx. 89 mph} |
| Dimensions | Maximum diameter: ϕ 167mm \times 205 mm (H) { ϕ 6-9/16 inches \times 8-1/16 inches (H) } Dome radius SR 77.5 mm {SR 3-1/16 inches} (excluding an attachment for the conduit portion and protruding parts) |
| Mass (approx.) | Approx. 3 kg (without attachment) |
| Finish | Main body : Aluminum die cast (Heavy-salt damage resistance coating), i-PRO white Outer fixing screws : Stainless steel (Corrosion-resistant treatment) Dome cover: Polycarbonate resin, Clear (with ClearSight coating) |
| Other | Tamper-resistant enclosure *5 |

NOTES

*1 For information on the operation verification of the web browsers, refer to our support website <Control No.: C0132>.

*2 Transmission for 4 streams can be individually set.

*3 When recording audio on an SD memory card, only use AAC-LC (Advanced Audio Coding - Low Complexity) .

*4 When using with them, WV-QCA501A cable is required.

*5 Component that has a structure on which the screws that are accessible after installation cannot be screwed or unscrewed using an ordinary screwdriver.

Important

- Safety Precautions : Carefully read the Basic Information, Installation Guide and Operating Instructions before using this product.
- i-PRO Co., Ltd. cannot be held responsible for the performance of the network and/or other manufacturers' products used on the network.

- Masses and dimensions are approximate.

- Specifications are subject to change without notice.

Trademarks and registered trademarks

- iPad and iPhone are trademarks of Apple Inc., registered in the U.S. and other countries. - Android is a trademark of Google LLC.

- ONVIF is a trademark of ONVIF, Inc.

- All other trademarks identified herein are the property of their respective owners

©i-PRO Co., Ltd All rights reserved / April 2024

OPTIONAL ACCESSORIES

Select a compatible accessory

[Accessory Selector \(i-pro.com\)](http://i-pro.com).



WV-QWL501S-W
Wall Mount Bracket



WV-QSR506S-W
Mount Bracket



WV-QCL501S-W
Ceiling Mount Bracket



WV-SDB256G
i-PRO SD Memory Card



WV-SDB128G
i-PRO SD Memory Card



WV-SDB064G
i-PRO SD Memory Card



WV-SDB032G
i-PRO SD Memory Card



WV-QDC508G
Dome Cover



WV-QDC508C
Dome Cover



WV-QDC508CN
Dome Cover



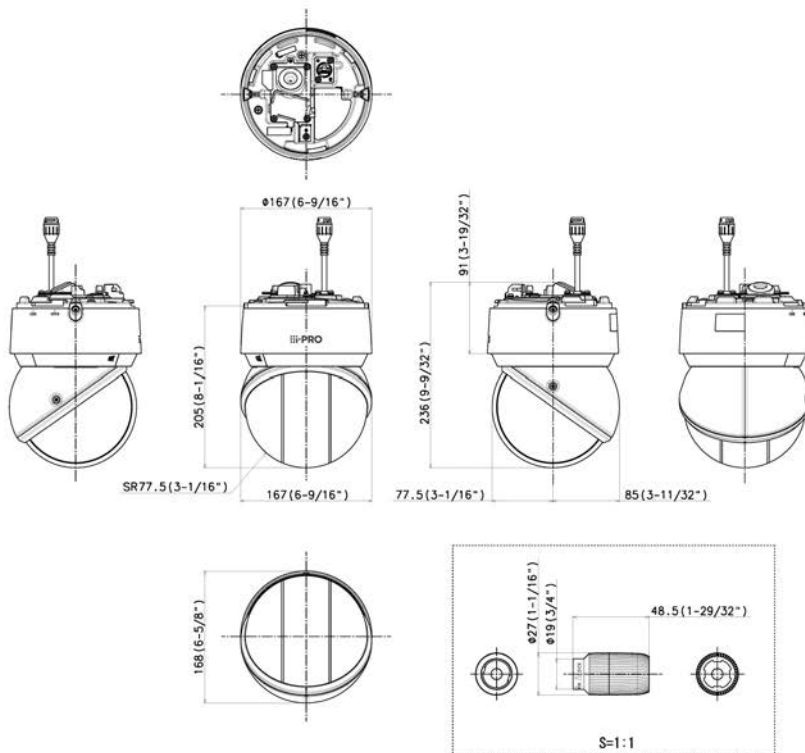
WV-QCA501A
I/O Cable



WV-PM500
Compact microphone
unit for surveillance
cameras

APPEARANCE

耐重塩害モデル
Heavy salt damage version



| Model number | Model number |
|-----------------|-----------------|
| WV-X66700-Z3LS | WV-X66700-Z3LK |
| WV-X66700-Z3LSJ | WV-X66700-Z3LKJ |
| WV-X66700-Z3S | WV-X66700-Z3K |
| WV-X66700-Z3LSV | WV-X66700-Z3LKV |
| WV-X66700-Z3SV | WV-X66700-Z3KV |
| WV-X66600-Z3LS | WV-X66600-Z3LK |
| WV-X66600-Z3S | WV-X66600-Z3K |
| WV-X66600-Z3LSV | WV-X66600-Z3LKV |
| WV-X66600-Z3SV | WV-X66600-Z3KV |
| WV-X66300-Z4LS | WV-X66300-Z4LK |
| WV-X66300-Z4LSJ | WV-X66300-Z4LKJ |
| WV-X66300-Z4S | WV-X66300-Z4K |
| WV-X66300-Z4LSV | WV-X66300-Z4LKV |
| WV-X66300-Z4SV | WV-X66300-Z4KV |
| WV-X66300-Z3LS | WV-X66300-Z3LK |
| WV-X66300-Z3S | WV-X66300-Z3K |
| WV-X66300-Z3LSV | WV-X66300-Z3LKV |
| WV-X66300-Z3SV | WV-X66300-Z3KV |

| | 投影面積/Projected area |
|--------------------------------|-------------------------|
| 正面図/Front-view | 0.029 (m ²) |
| 側面図/Side-view | 0.029 (m ²) |
| Mass : Approx. 3 kg [6.62 lbs] | |

Unit:mm