

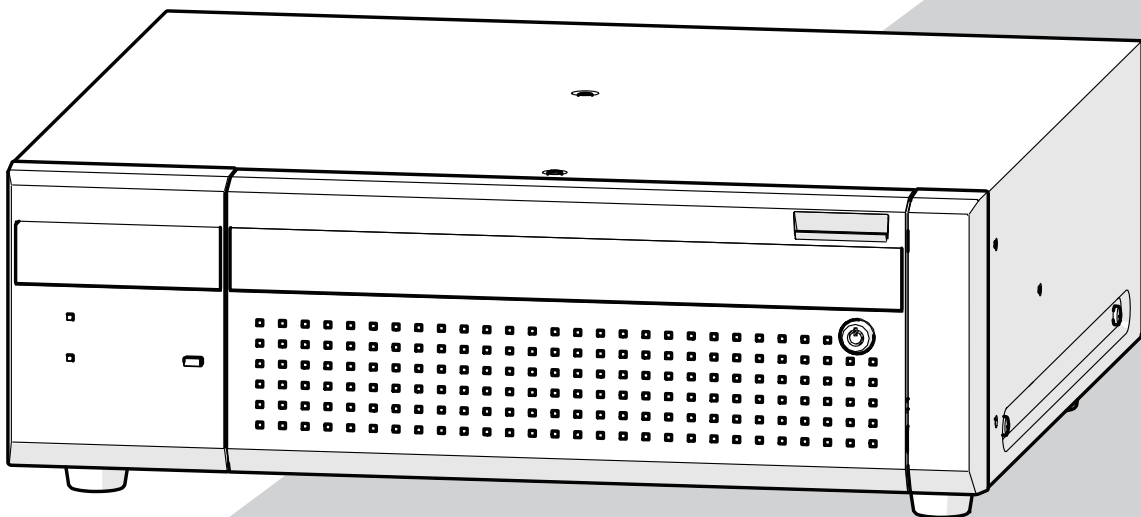
iii·PRO

Important Information

Extension Unit

Model No. **WJ-HXE410 Series**

For professional use only



WJ-HXE410 Series refer to WJ-HXE410, WJ-HXE410G and WJ-HXE410GV.

Before attempting to connect or operate this product,
please read these instructions carefully and save this manual for future use.

The model number is abbreviated in some descriptions in this manual.

Important Safety Information

Caution:

- This recorder is only intended for a connection to an ethernet or PoE network without routing to the outside plant.
- Be sure to install disconnect devices such as a circuit breaker to shut down the main power of power supplying equipment to this product.
- The socket-outlet shall be easily accessible.
- Before attempting to connect or operate this product, please read these instructions carefully.

WARNING:

- All work related to the installation and earthing of this product should be made by qualified service personnel or system installers.
- Operation of this product in a residential environment could cause radio interference.

Notice:

- This product is not suitable for use in locations where children are likely to be present.
- For information about screws and other parts required for installation, refer to the corresponding section of this document.
- The power supply cord is used as the main disconnect device, ensure that the socket-outlet is located/installed near the equipment and is easily accessible.
- This product is a professional equipment.



: Functional earthing; functional grounding(US) symbol



: Direct current symbol



: Alternation current symbol



: Polarity of d.c. power connector



: For indoor use only



: Computer network



: Mouse port



: USB port



: "ON"/"OFF" (push-push)

For U.S.A.

This device complies with part 15 of the FCC Rules. Operation is subject to the following two conditions: (1) This device may not cause harmful interference, and (2) this device must accept any interference received, including interference that may cause undesired operation.

For U.S.A.

Supplier's Declaration of Conformity
 Trade Name: i-PRO
 Model No. : WJ-HXE410
 Responsible Party: i-PRO Americas Inc.
 8550 Fallbrook Drive, Suite 200
 Houston,
 Texas 77064
 Support Contact: 1-800-513-5417



For U.S.A.

The model number and serial number of this product may be found on the surface of the unit. You should note the model number and serial number of this unit in the space provided and retain this book as a permanent record of your purchase to aid identification in the event of theft.

Model No. _____

Serial No. _____

For Canada

CAN ICES-3(A)/NMB-3(A)

For U.S.A.

Note: This equipment has been tested and found to comply with the limits for a Class A digital device, pursuant to Part 15 of the FCC Rules. These limits are designed to provide reasonable protection against harmful interference when the equipment is operated in a commercial environment. This equipment generates, uses, and can radiate radio frequency energy and, if not installed and used in accordance with the instruction manual, may cause harmful interference to radio communications. Operation of this equipment in a residential area is likely to cause harmful interference in which case the user will be required to correct the interference at his own expense.

FCC Caution:

Changes or modifications not expressly approved by the party responsible for compliance could void the user's authority to operate the equipment.



For U.K.

FOR YOUR SAFETY PLEASE READ THE FOLLOWING TEXT CAREFULLY.

This appliance is supplied with a moulded three pin mains plug for your safety and convenience.

A 5 amp fuse is fitted in this plug.

Should the fuse need to be replaced please ensure that the replacement fuse has a rating of 5 amp and that it is approved by ASTA or BSI to BS1362.

Check for the ASTA mark  or the BSI mark  on the body of the fuse.

If the plug contains a removable fuse cover you must ensure that it is refitted when the fuse is replaced.

If you lose the fuse cover the plug must not be used until a replacement cover is obtained.

A replacement fuse cover can be purchased from your local our dealer.

IF THE FITTED MOULDED PLUG IS UNSUITABLE FOR THE SOCKET OUTLET IN YOUR HOME THEN THE FUSE SHOULD BE REMOVED AND THE PLUG CUT OFF AND DISPOSED OF SAFELY. THERE IS A DANGER OF SEVERE ELECTRICAL SHOCK IF THE CUT OFF PLUG IS INSERTED INTO ANY 13 AMP SOCKET.

How to replace the fuse

The location of the differs according to the type of AC mains plug (figures A and B).

Confirm the AC mains plug fitted and follow the instructions below. Illustrations may differ from actual AC mains plug.

Open the fuse cover with a screwdriver and replace the fuse and close or attach the fuse cover.

Figure A

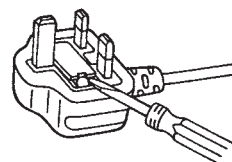
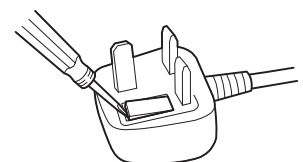


Figure B



Contents

Important Safety Information	2
Introduction	4
Preface	4
Disclaimer of warranty	4
Precautions	5
Major operating controls and their functions	8
Front view.....	8
Inside the front cover	10
Rear view	11
HDD unit	12
Handle the HDD units	12
HDD unit holding bracket.....	12
When you transport the recorder	13
Install the HDD unit in extension unit.....	14
Remove the HDD units from extension unit.....	14
Remove the extension unit from recorder.....	14
Specifications	15

Introduction

Preface

The WJ-HXE410 Series is the extension unit for the network disk recorder (WJ-NX510K Series, WJ-NX410K Series, hereinafter, recorder) which is sold separately.

The unit can be mounted with a maximum of 9 HDD units (hard disk drive installed in a canister).

They can be used as RAID (Redundant Arrays of Inexpensive Disk) to improve fault tolerance of the HDD.

The HDD units are easily mounted and dismounted on the unit by opening the front cover of the unit.

Make sure to connect a corresponding recorder to the unit because the HDD units cannot be set with the unit only.

Disclaimer of warranty

IN NO EVENT SHALL i-PRO Co., Ltd. BE LIABLE TO ANY PARTY OR ANY PERSON, EXCEPT FOR REPLACEMENT OR REASONABLE MAINTENANCE OF THE PRODUCT, FOR THE CASES, INCLUDING BUT NOT LIMITED TO BELOW:

- (1) ANY LOSS OR DAMAGE, INCLUDING WITHOUT LIMITATION, DIRECT OR INDIRECT, SPECIAL, CONSEQUENTIAL OR EXEMPLARY, ARISING OUT OF OR RELATING TO THE PRODUCT;
- (2) ANY INCONVENIENCE, LOSS, OR DAMAGE CAUSED BY INAPPROPRIATE USE OR NEGLIGENT OPERATION OF THE USER;
- (3) ALL MALFUNCTIONS OR TROUBLES FROM UNAUTHORIZED DISASSEMBLE, REPAIR OR MODIFICATION OF THE PRODUCT BY THE USER, REGARDLESS OF THE CAUSE OF THE MALFUNCTION OR TROUBLE;
- (4) INCONVENIENCE OR ANY LOSS ARISING WHEN IMAGES ARE NOT DISPLAYED, DUE TO ANY REASON OR CAUSE INCLUDING ANY FAILURE OR PROBLEM OF THE PRODUCT;
- (5) ANY PROBLEM, CONSEQUENTIAL INCONVENIENCE, OR LOSS OR DAMAGE, ARISING OUT OF THE SYSTEM COMBINED BY THE DEVICES OF THIRD PARTY;
- (6) ANY CLAIM OR ACTION FOR DAMAGES BROUGHT BY ANY PERSON OR ORGANIZATION AS A PHOTOGRAPHED SUBJECT DUE TO VIOLATION OF PRIVACY CONCERNING A SURVEILLANCE CAMERA'S PICTURE OR SAVED DATA, FOR SOME REASON (INCLUDING USE WHEN USER AUTHENTICATION ON THE AUTHENTICATION SETTING SCREEN IS SET TO OFF), BECOMING PUBLIC OR BEING USED FOR ANY PURPOSE;
- (7) LOSS OF REGISTERED DATA CAUSED BY ANY FAILURE (INCLUDING REPAIR OR INITIALIZATION OF THE PRODUCT DUE TO FORGOTTEN AUTHENTICATION INFORMATION SUCH AS A USER NAME AND PASSWORD).

Precautions

Refer installation work to the dealer.

Installation work requires technique and experiences. Failure to observe this may cause fire, electric shock, injury, or damage to the product.

- Be sure to consult the dealer.

Do not disassemble nor alter this product.

Failure to observe this may cause fire or electric shock.

- Ask your dealer for inspection and repair.

Do not insert any foreign objects.

Do not allow any foreign object or liquid such as water, a metallic part, etc. to enter since it may cause fire or electric shock.

- If it happens, disconnect the power plug from the electric outlet immediately and contact your dealer.

Stop the operation immediately when something is wrong with this product.

When smoke goes up from the product or the smell of smoke comes from the product, continued use will result in fire, injury, or damage to the product.

- Turn off the power of this product immediately, and then contact your dealer.

Avoid placing receptacles that contain liquids such as water on/near this product.

If liquid spills onto this product, it may cause fire or an electric shock.

- If it happens, disconnect the power plug from the electric outlet immediately and contact your dealer.

Clean the power plug periodically to keep it dust free.

Dust can cause the insulation to be damaged and cause a fire.

- When cleaning, disconnect the power plug and wipe with a clean dry cloth.

Do not install this product in an unstable location.

Selecting an inappropriate installation surface may cause the product to fall down or topple over, resulting in injury.

Do not touch this product, power cord and connected cables when thunder is heard.

Failure to observe this may cause electric shock.

Do not connect/disconnect the power plug with wet hands.

Failure to observe this may cause electric shock.

Avoid doing anything that can damage the power cord/plug.

Do not damage, modify, forcefully bend, twist, stretch or bundle the power cord, and do not put a heavy thing on the power cord.

Using a damaged power cord can cause electric shock, short circuit, fire, etc.

- Contact your dealer for repair of the power cord and plug.

Grounding

Use this product after confirming that grounding is properly installed.

If grounding is not installed properly, it may cause ground leakage or damage the product resulting in electric shock.

- Contact the dealer for details. (The grounding installation cost is not included in the price of this product.)

Do not engage in work related to the installation and wiring during the power is on.

Failure to observe this may cause fire or electric shock.

Hold the power plug to disconnect the power cord.

Do not pull the power cord since it can cause fire, electric shock, etc.

Connect the power plug firmly.

If the power plug is not connected firmly, it can cause fire, electric shock, etc.

- Do not use the damaged power cord and loose electric outlets.

Do not connect to outlets or wiring device if their ratings are beyond the specified rating.

If the rating goes over the specified rating such by putting many loads on one electric outlet, it can cause generation of heat resulting in fire.

Do not strike or give a strong shock to this product

Failure to observe this may cause fire or electric shock.

Avoid placing this product in locations which are subject to humidity and dust.

Failure to observe this may cause fire or electric shock.

Do not block the ventilation holes.

Doing so can cause fire since it can raise the temperature inside this product high.

Precautions (continued)

Precautions for use

Power source

The input power source for this product is 100 V - 240 V AC 50 Hz/ 60 Hz.

Do not connect to the outlet that provides the power to equipment that requires a measurable amount of power (such as a copy machine, air conditioner, etc.). Avoid placing this product in locations where is subject to water.

* The included power cord(s) is (are) dedicated to the use with this product. Do not use with any other device. Also, do not use any other power cord with this product.

Ambient operating temperature

Use this product at temperatures between 0 °C to +45 °C. Failure to do so may damage the internal parts or cause malfunction.

* Performance and lifetime of hard disk drives are easily affected by heat (used at high temperature). It is recommended to use this product at a temperature of approx. +25 °C.

To cut the power supply

To cut the power supply, unplug the power plug of the product from the AC outlet. If the power cord cannot be unplugged easily due to installation condition, connect the power cord to an AC outlet via a distribution board circuit breaker with a cut-off capacity.

Static electricity

When installing, maintaining, or operating this product, in order to remove the static electricity before touching, touch a metal object (steel desk, doorknob, etc.) with your hand first.

Static electricity can cause malfunction or failure of this product.

About protection against lightning

If cables are pulled in from outdoors, they may be affected by lightning. In that case, install a lightning arrester in the immediate vicinity of the unit and wire the network cable length between the unit and the lightning arrester as short as possible to avoid being affected by lightning.

Hard disk drive (HDD)

- Hard disk drives are precision devices. Handle them with care. It is possible to damage them if they are moved while their motors are still running.
- Please be forewarned that any loss of information on the HDD is not guaranteed under any circumstances.
- Do not move or install this product just after turning the power on or off (for around 30 seconds.) The hard disk drives are running.
- The HDD is consumable and the lifetime differs depending on the operational environment. Write errors may occur frequently after around 20000 hours of each HDD operation and head and motor deterioration may occur after around 30000 hours of operation. They will reach the end of their lifetime after 30000 hours of operation if they have been used at the recommended ambient temperature (approx. +25 °C).
- To prevent data loss from disk crashes, it is recommended to keep the ambient operating temperature at approx. +25 °C and to replace them after around 18000 hours of operation.
You can check the operating time of each HDD in "Operation" of the "HDD information" tab under "Maintenance" under "Advanced" from the setup menu.
- When hard disk drive trouble occurs, replace it immediately. Contact your dealer about servicing.

Prevent condensation from forming

If this happens, it can cause malfunction.

Leave it switched off for around 2 hours in the following cases.

- When this product is placed in an extremely humid place.
- When this product is placed in a room where a heater has just been turned on.
- When this product is moved from an air-conditioned room to a humid and high-temperature room.

Cleaning

- Turn the power off, and then use a soft cloth to clean this product.
- Do not use strong or abrasive detergents when cleaning the body.
- When using a chemical cloth for cleaning, read the caution provided with the chemical cloth product.

Precautions (continued)

Product disposal/transfer

Images saved on the storage device used with this product may lead to personal information leakage. When it is necessary to dispose or give this product to someone, even when for repair, make sure that there is no data on the hard disk drives.

Also, be sure to delete device and user information registered with external services and applications that use this product.

Indication label

Refer to the indication label placed on the top cover or bottom of this product for the equipment classification and power source, etc.

About reboot of this product

In the following cases, this product will automatically reboot to continue recording.

- When the software of this product has detected the internal error and reboot becomes necessary.

Disclaimer of warranty on recorded data

i-PRO Co., Ltd. assumes no responsibility or liability, directly or indirectly, for failure of recording or editing including loss of data due to any reason or cause which does not exclude repair or maintenance of this product regardless whether the subject is hard disk or other parts.

Packing box, Cushion, HDD unit holding bracket

When transporting the recorder, it is necessary the Packing case, Cushion and HDD unit holding bracket to prevent the recorder from damage by fall or vibration. Keep them properly to use again.

While operating this product, remove the HDD unit holding bracket.

About transportation

The recorder weighs over 10 kg {22.1 lbs}. Be careful not to drop the recorder when installing it into a rack. Dropping may cause damage, deformation of the recorder, or injury.

About use of external services, etc.

Functions that use external services or other devices may stop or malfunction due to external influences.

About portrait rights

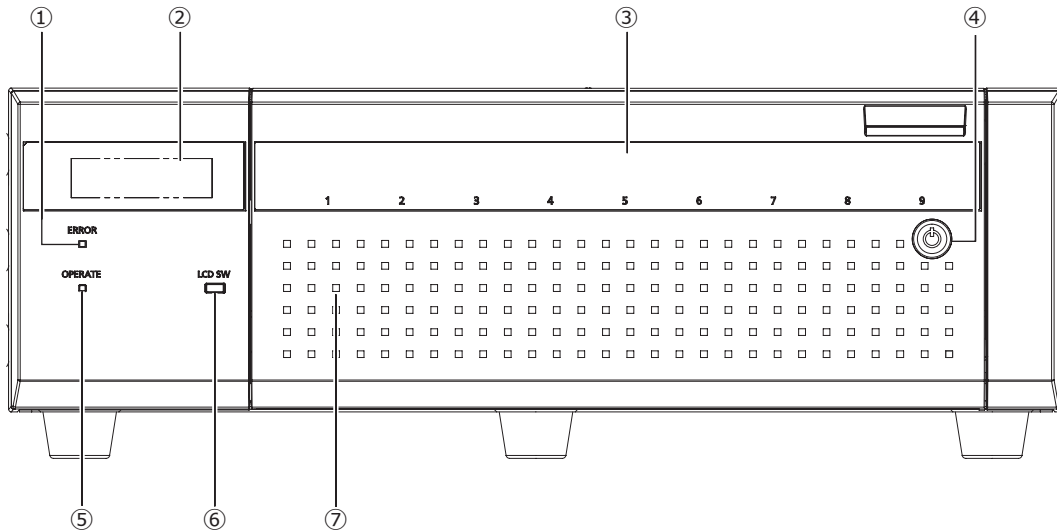
It is the customer's responsibility to install the camera and use the footage, taking into consideration the privacy and portrait rights of the subject.

About temperature sensor

This product has a temperature sensor to measure the internal temperature.

Major operating controls and their functions

Front view



① Error indicator [ERROR]

Blinks when an error that can become a problem for the extension unit to run the system occurs.

Blinks red: System error (Network link error, HDD error, Recording error, etc.)

Blinks orange: Thermal error, cooling fan malfunction, etc. Shows a solid light when automatically reset from an error status.

② LCD

Displays temperature and operation mode of the extension unit. The extension unit requires the recorder for settings. You cannot setup the settings using the LCD of the recorder only.

HDD operation mode and temperature of HDD unit are displayed at the first line of LCD.

The status of HDD unit is displayed at the second line of LCD.

In normal status :No indication

During 1DOWN : 1 DOWN

During 2DOWN : 2 DOWN

During 3DOWN : 3 DOWN

Waiting for RAID recovery start

:RCV START WAIT

RAID recovering :RECOVERING cc%

(cc: progress rate)

RAID recovering (verifying)

:VERIFYING cc%

(cc: progress rate)

Note:

- Due to the difference in internal structure, the temperatures displayed on the LCD will differ between the recorder and this product even under the same environment.

③ HDD access indicator (1~9)

It transmits the HDD status indicator and the HDD access indicator installed in the front cover.

HDD status indicator (left side)

Indicates the operational status of the respective hard disk drive. (☞ Page 10)

HDD access indicator (right side)

Indicates the status (access/failure) of the respective hard disk drive. (☞ Page 10)

Basically, each indicator will indicate the status of the respective HDD units (HDD unit 1 to 9), but each indicator will be the same when the system error occurs.

Important:

- When the indicator lights red in the RAID1/RAID5/RAID6 mode, replace the HDD unit with the error immediately. Contact your dealer about replacing the HDD unit.
- In the RAID5 mode:
When 2 or more HDD access indicators light/blink red, it may be impossible to recover data on the respective hard disk drives.
- In the RAID6 mode:
When 3 or more HDD access indicators light/blink red, it may be impossible to recover data on the respective hard disk drives.

④ Key hole

Use the included key to open/close the front cover.

Keep the key in a safe place.

Lock the front cover: Insert, push and turn the key to the left.

Unlock the front cover: Insert, push and turn the key to the right.

⑤ Operation indicator [OPERATE]

Lights when the power is on.

Major operating controls and their functions (continued)

⑥ **Set button [Set]**

Use this button to initialize the settings of the unit (default) in the following directions.

- ① Turn on the unit while pressing the set button.
- ② Press the set button again to initialize the settings after "INITIALIZE ACCEPT [SET]" is displayed on the LCD.
 - * If the unit is not initialized, turn off the power without pressing the set button.
- ③ When "INITIALIZE DONE!" is displayed on the LCD, the initialization is completed.

Important:

- When the unit is initialized, the data on the HDD cannot be read out. Contact your dealer when you initialize the unit.
-

⑦ **Front cover**

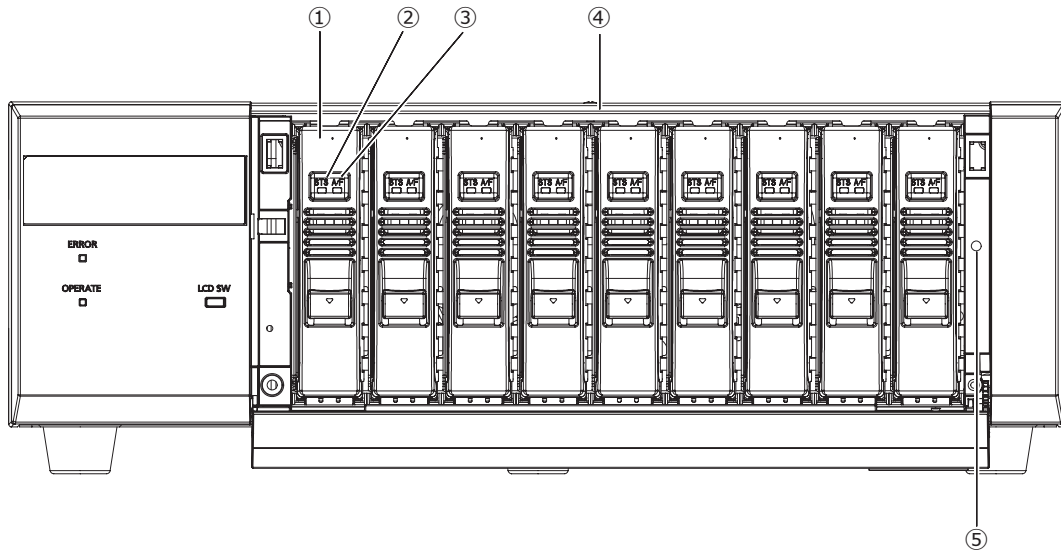
Open the front cover when adding/replacing the HDD unit.

Keep this cover closed and locked during normal operation.

Major operating controls and their functions (continued)

Inside the front cover

* The following illustration shows that 9 HDD units are installed with the "HDD unit holding brackets" removed.



① HDD units [Option]

Only the hard disk drive encased in the dedicated hard disk drive canister (HDD units) can be installed in the extension unit.

Contact your dealer about purchasing, installing, and replacing the hard disk drives.

② HDD status indicator [STS]

Indicates the operational status of the respective hard disk drive.

Lights green: Indicates that the power of the (formatted) hard disk is on

Blinks green: Indicates that the respective hard disk drive is for playback use only.
(Recording is unavailable using the respective hard disk drive.)

Blinks orange: Indicates that the respective hard disk drive is currently being formatted or during the recognition process.

Blinks red: Indicates that formatting of the hard disk drive has failed

Off: Indicates that the power of the hard disk drive is off, Indicates that the hard disk drive is not connected/recognized.

③ HDD access/failure indicator [A/F]

Indicates the status (access/failure) of the respective hard disk drive.

When an HDD failure (error) occurs during operation in the RAID1/RAID5/RAID6 mode, the indicator will light/blink red.

Blinks green: Indicates that the respective hard disk drive is being accessed.

Off: Indicates that the respective hard disk drive is not being accessed.

Lights red: Indicates that the respective hard disk drive is faulty (which can be recovered by replacing the hard disk drive)

In the RAID1/RAID5 mode, it indicates that the respective hard disk drive is the first faulty drive.

In the RAID6 mode, it indicates that the respective hard disk drives are the first and second faulty drive.

Blinks red: Indicates that the respective hard disk drive is faulty (which cannot be recovered even by replacing the hard disk drive)

In the RAID5 mode, it indicates that the respective hard disk drive is the second faulty drive.

In the RAID6 mode, it indicates that the respective hard disk drive is the third faulty drive.

Blinks orange: Indicates the drive in data recovery in RAID1/RAID5/RAID6 mode (it may appear that the indicator lights orange when recovery is being processed at high speed)

④ HDD slots

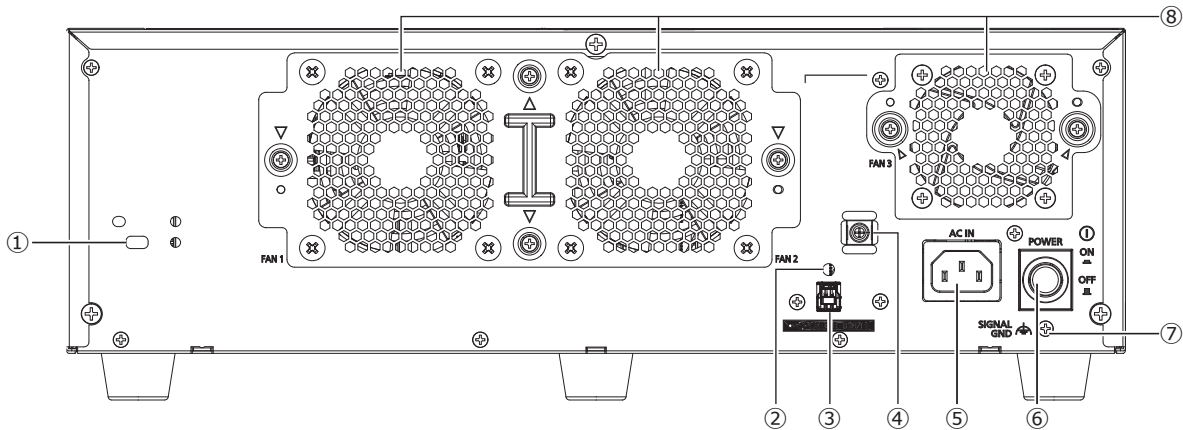
Up to 9 HDD units can be installed.

⑤ HDD unit holding bracket fixing thread hole

Use this hole to fix the HDD unit holding bracket when transporting the extension unit.

Major operating controls and their functions (continued)

Rear view



- ① **Security wire hole**
Mount the lock device for the anti-theft security wire.
- ② **Cable clamp fixing hole**
Attach the included cable clamp to fix the connection cable. Refer to the installation guide of the extension unit for fixing the cable.
- ③ **External input connector EXT IN**
Use this connector to connect to the recorder using the included connection cable.
- ④ **Clamp mount (for fixing power cord)**
Fit the power cord clamp (included) to fix the power cord.
- ⑤ **Power cord inlet [AC IN]**
Connect the included power cord to this inlet.
- ⑥ **[POWER] switch**
Press it to turn on the power. Press it again to turn off the power.

Important:

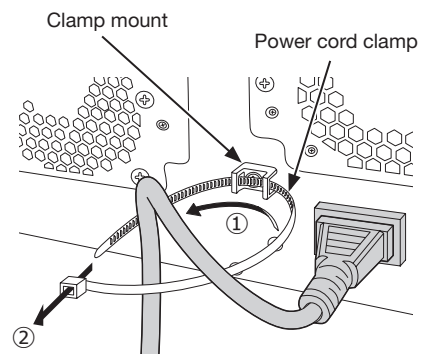
- Turn on the power of all extension units, and then turn on the power of the recorder.
- Turn off the power of the recorder first when turning off the power.

- ⑦ **SIGNAL GND terminal [SIGNAL GND]**
Connect this terminal with the SIGNAL GND terminals of the devices in the system for signal ground. When operating the extension unit and the devices in the system without signal ground, noise may be produced.
- ⑧ **Cooling fan outlet**

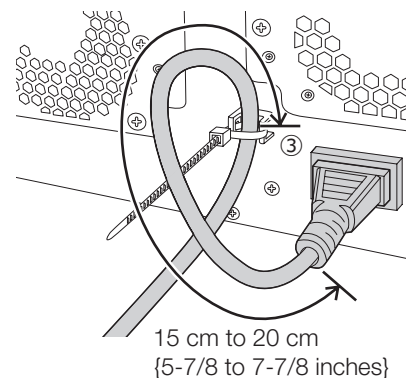
How to fix the power cord

Fix the power cord firmly at 15 cm to 20 cm {5-7/8 to 7-7/8 inches} from the plug with the included power cord clamp passed through the clamp mount.

Fix the power cord so that it does not block the cooling fan outlet.



- ① Pass the power cord clamp through the clamp mount.
- ② Make a ring with the power cord clamp as shown in the illustration to tighten the power cord.



- ③ Tighten the power cord at 15 cm to 20 cm {5-7/8 to 7-7/8 inches} from the connector and fix it to the clamp mount.
- Cut the unnecessary part of the power cord clamp as necessary.

HDD unit

Handle the HDD units

To install a hard disk drive in the recorder, it is necessary to assemble an HDD unit (encase the hard disk drive in the HDD canister). The HDD unit is designed to easily install/remove the hard disk drive in/from the recorder. Contact your dealer about purchasing, installing, and replacing the hard disk drives.

Important:

- The HDD unit is a precision device. Handle them with care. Vibration and shocks may cause failure of the HDD unit.
- Before transportation, read "HDD unit holding bracket" (this page) and "When you transport the recorder" (Page 13).
- Do not move or install this product just after turning the power on or off (for around 30 seconds.) The hard disk drives are running.
- Install the HDD units in order starting with disk slot 1.
- Once the operation has started in RAID1*, RAID5* or RAID6* mode, do not change the position of the HDD unit. If they are changed, it may become impossible to read recorded data.

* Refer to the recorder's Operating Instructions for RAID mode.

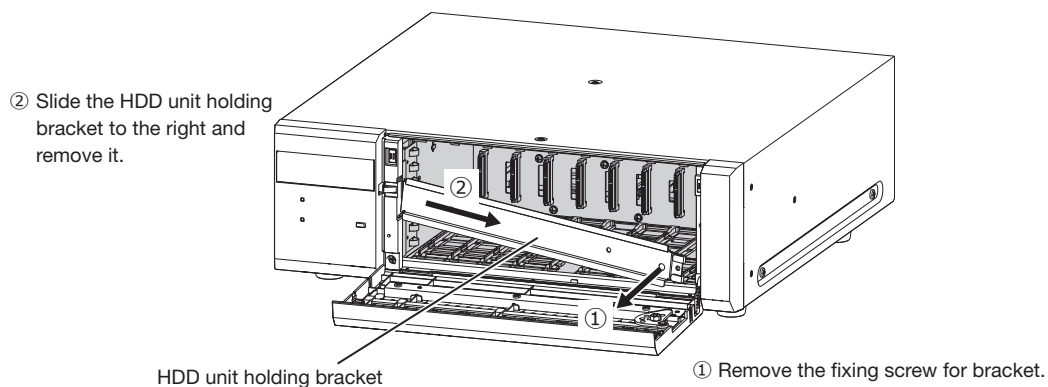
HDD unit holding bracket

The recorder has the "HDD unit holding bracket" in the HDD unit slot, screwed in at the factory before shipment. To install the HDD unit in the recorder, remove the "HDD unit holding bracket" first.

The "HDD unit holding bracket" and the screw for fixing the bracket are necessary to prevent the HDD unit from falling off during transportation. Keep them properly.

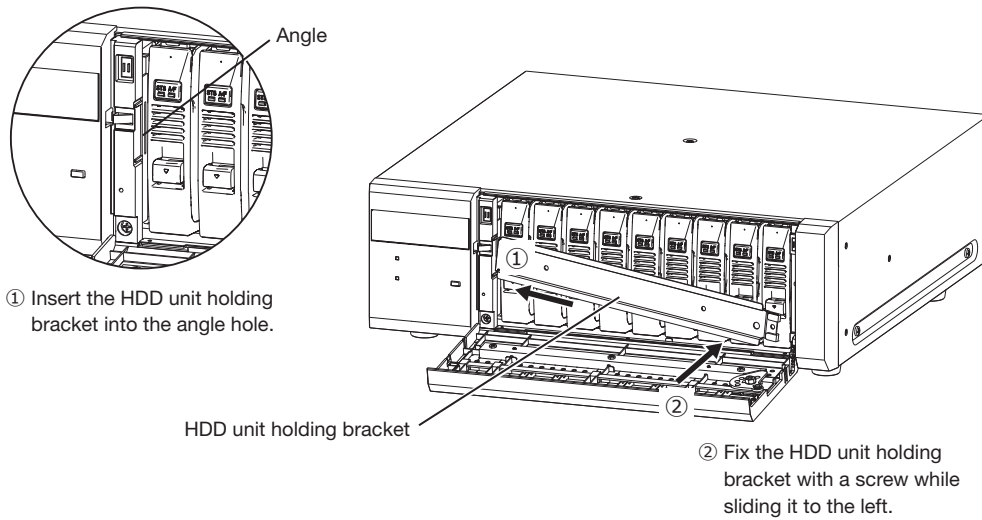
Do not use an electric screwdriver to avoid impact on the HDD.

How to remove the HDD unit holding bracket



HDD unit (continued)

How to attach the HDD unit holding bracket

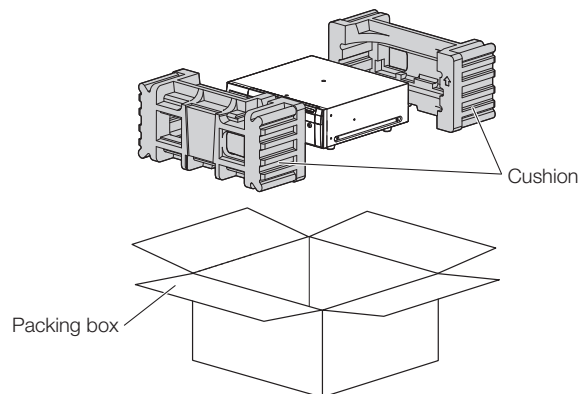


When you transport the recorder

- (1) Remove all the HDD units in the recorder or fit the HDD unit holding brackets and fix them with screws. Do not use an electric screwdriver to avoid impact on the HDD.
- (2) Put the recorder between the cushions and insert together into the packing box.

Important:

- The recorder weighs over 10 kg {22.1 lbs}. Be careful not to drop the recorder when installing it into a rack. Dropping may cause damage, deformation of the recorder, or injury.
-



Install the HDD unit in extension unit

Refer to the Installation Guide for installing the HDD unit to this recorder.

Remove the HDD units from extension unit

When removing the HDD unit, it is necessary to perform the removal process in advance. When replacing the HDD unit, it is necessary to perform the removal process/the link process.

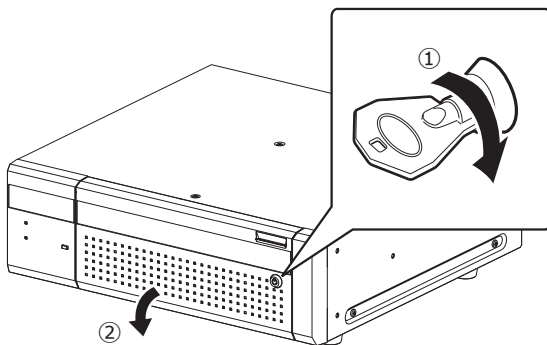
Important:

- Consult the dealer for the removal process/removal and the link process/installation of the HDD unit.
- Once the installation process is completed, the data in the HDD unit is deleted.

After the removing process is completed, the HDD unit can be removed even if the recorder is operating. The following explains procedures for how to remove the HDD unit after the removing process.

Step 1

After inserting the included key into the key hole on the front cover, push and turn it to the right to open the front cover.



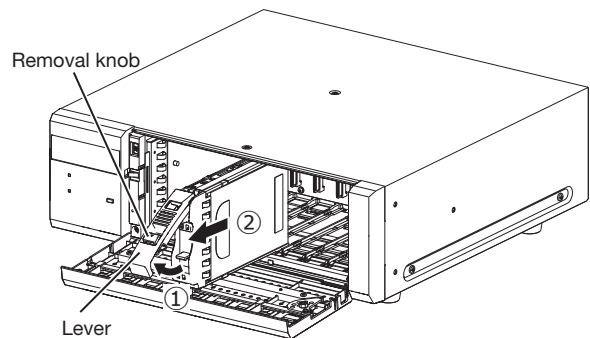
Step 2

Remove the HDD unit.

- ① Pull the lever up while holding down the removal knob on the HDD unit.
- ② Pull the HDD unit out from the HDD slot.
Pull the HDD unit out carefully so as not to drop it and handle it gently so as not to give it a shock or vibration.

Important:

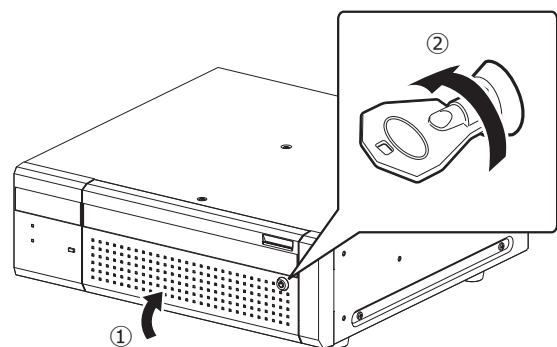
- When removing the HDD unit, be careful not to pinch your fingers with the lever.



Step 3

Close the front cover and lock it by pushing and turning the key to the left.

Keep the key in a safe place.



Remove the extension unit from recorder

When removing the extension unit, it is necessary to perform the removal process in advance. When replacing the extension unit, it is necessary to perform the removal process/the link process.

Important:

- Consult the dealer for the removal process/removal and the link process/installation of the extension unit.
- Once the installation process is completed, the data in the HDD unit of the extension unit is deleted.

Specifications

• General

Power source:	100 V - 240 V AC 50 Hz/ 60 Hz
Power consumption:	92 W (98 VA)
Ambient operating temperature:	Main body: 0 °C - +45 °C {32 °F - 113 °F}
Ambient operating humidity:	5 % to 90 % (non condensing)
Maximum operating altitude:	2000 m {6562 feet} above sea level
Recording compression method:	H.265, H.264, JPEG
Dimensions:	430 mm (W) . 132 mm (H) . 413 mm (D) {16-15/16 inches (W) . 5-3/16 inches (H) . 16-1/4 inches (D)} (From Rack Mount Bracket 400 mm {15-3/4}) (excluding rubber feet and projections)
Mass:	When no HDD is installed: 12.0 kg {26.5 lbs} When 9 HDDs are installed: 20 kg {44.1 lbs}
Finish:	Front view: Solid black coating, Resin Top cover: Solid black coating, Zinc-coated steel Rear view: Zinc-coated steel

• Hard disk drive (Contact your dealer about purchasing hard disk drives.)

Hard disk drive:	3.5-inch hard disk drive (Up to 9 hard disk drives can be installed.)
------------------	---

• Input/Output

External input connector (EXT IN):	High-speed serial interface, 5 Gbps (theoretical value), ×1
Security wire hole:	7 mm × 3 mm {9/32 inches × 1/8 inches}

i-PRO Co., Ltd.
Tokyo, Japan
<https://www.i-pro.com/>

Authorised Representative in EU:
i-PRO EMEA B.V.
Laarderhoogtweg 25, 1101 EB
Amsterdam, Netherlands



i-PRO EMEA B.V. UK Branch
1010 Cambourne Business Park,
Cambridgeshire CB23 6DP

