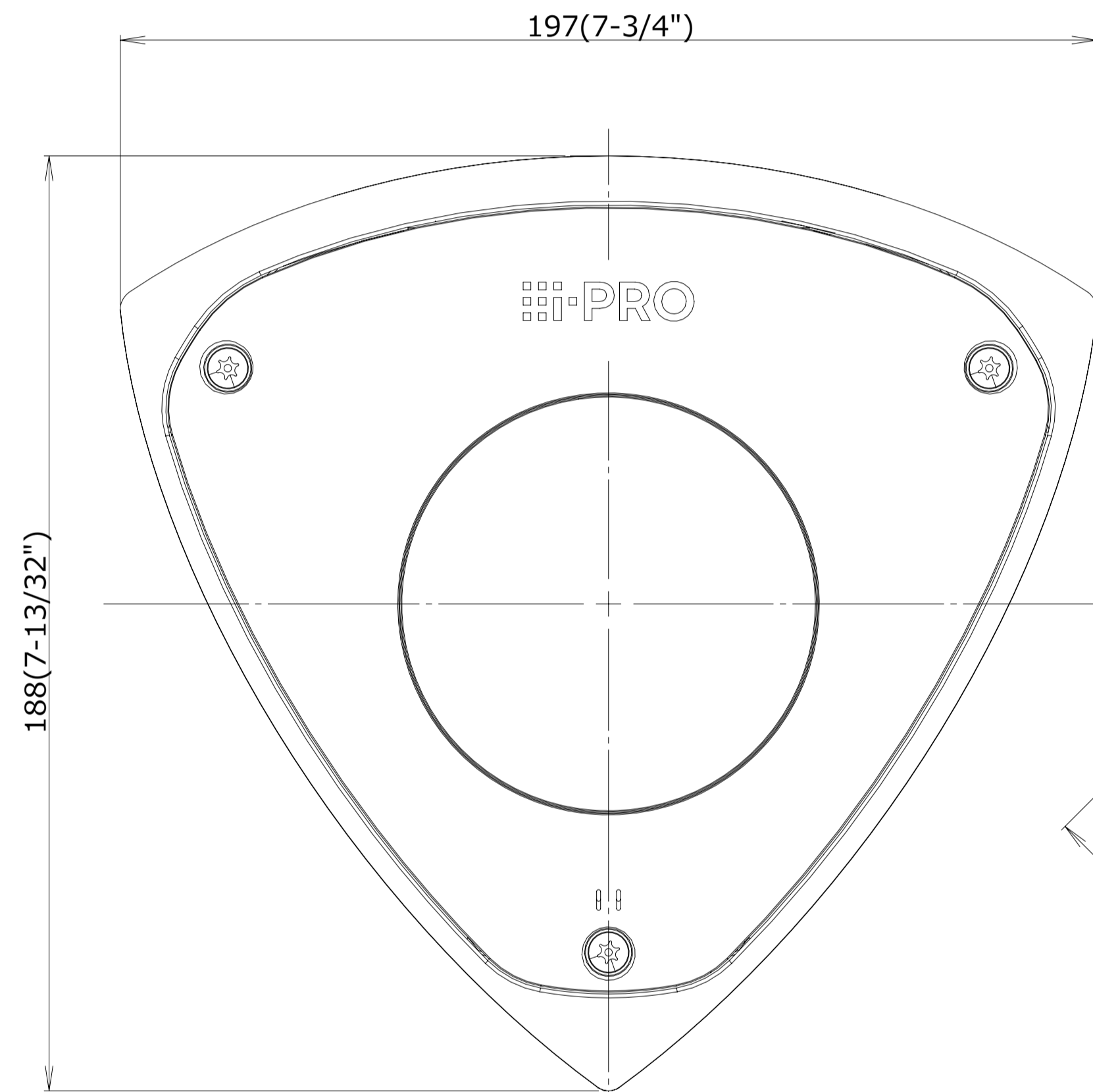


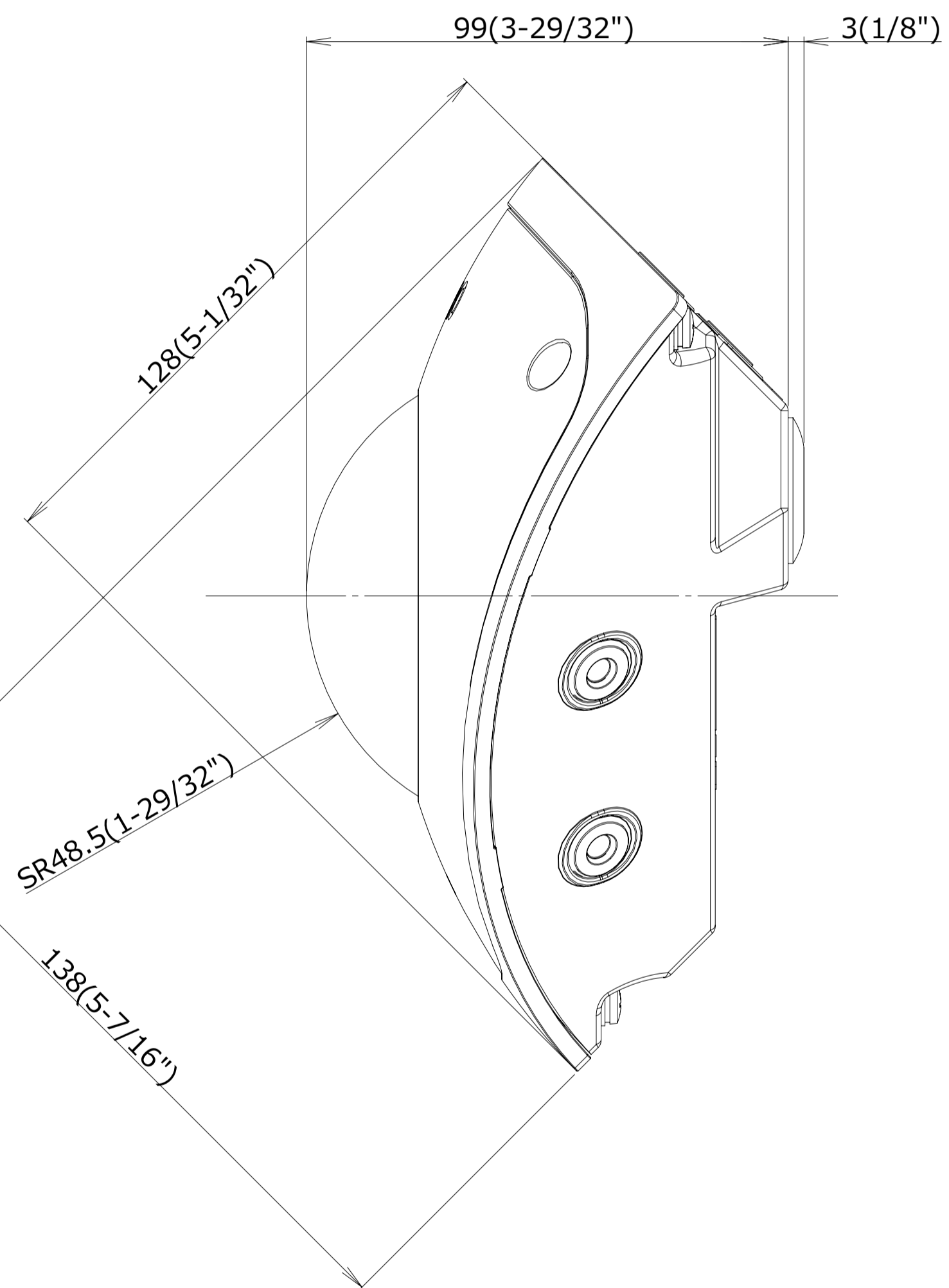
PRO

197(7-3/4")



188(7-13/32")

PRO



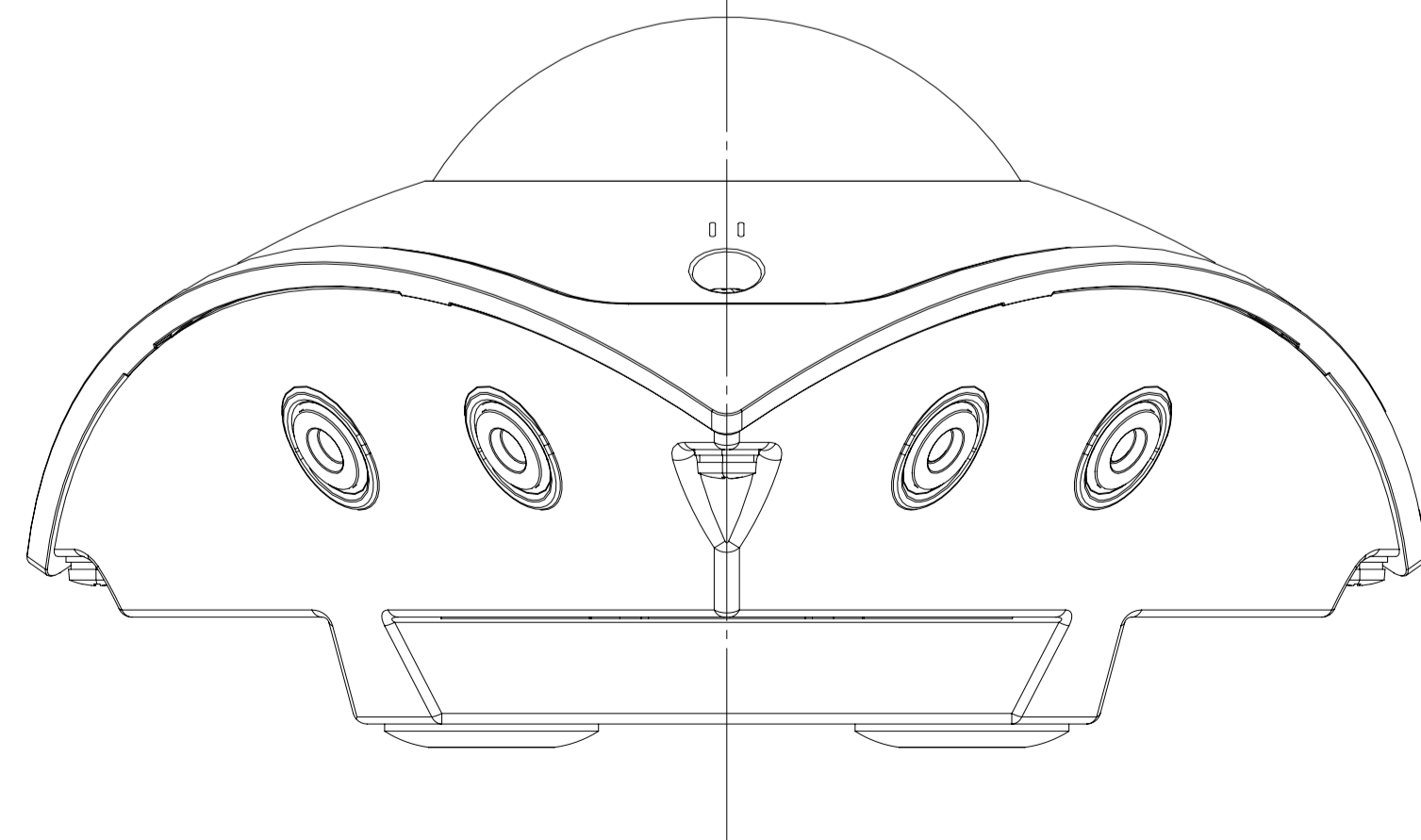
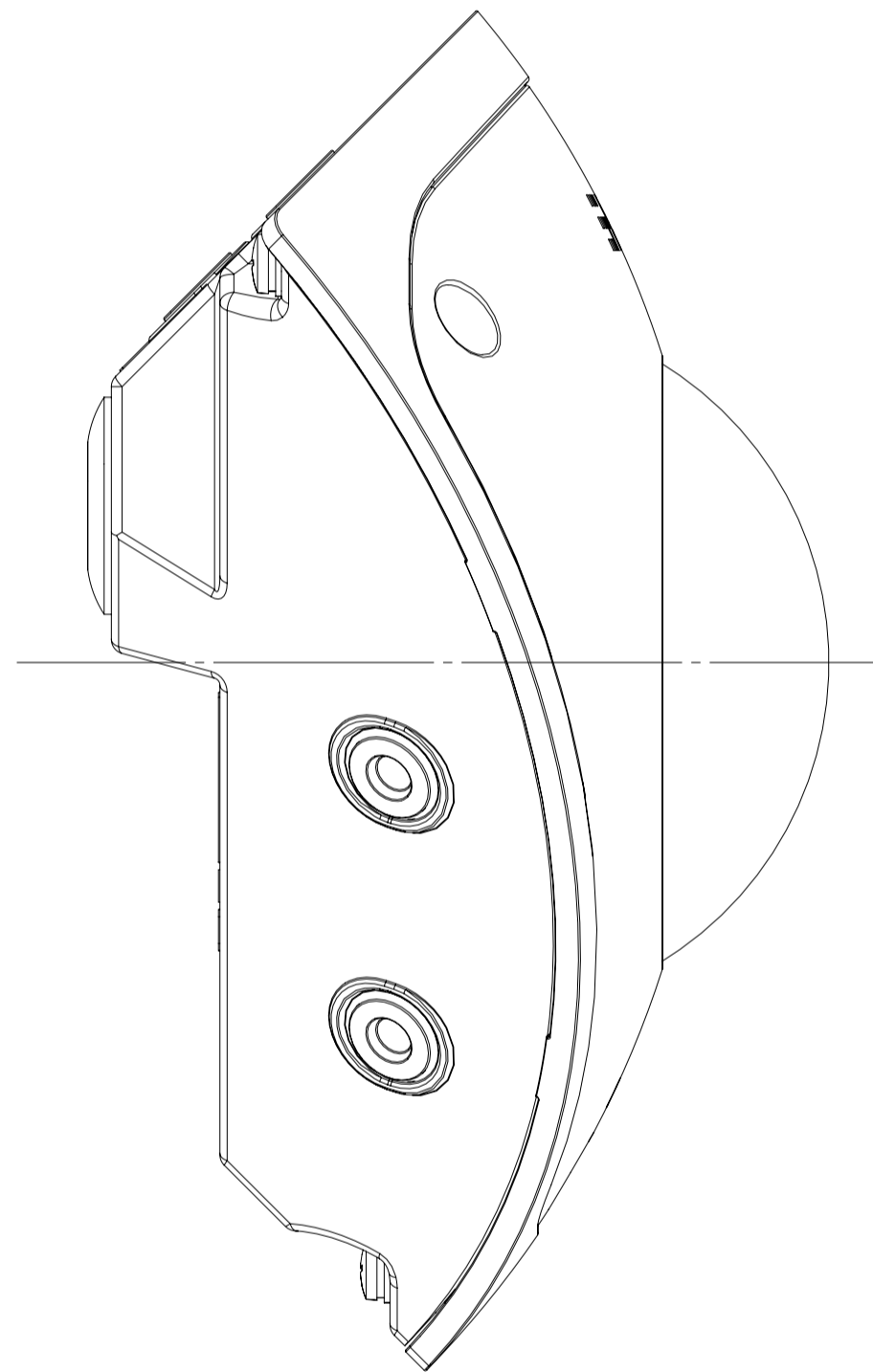
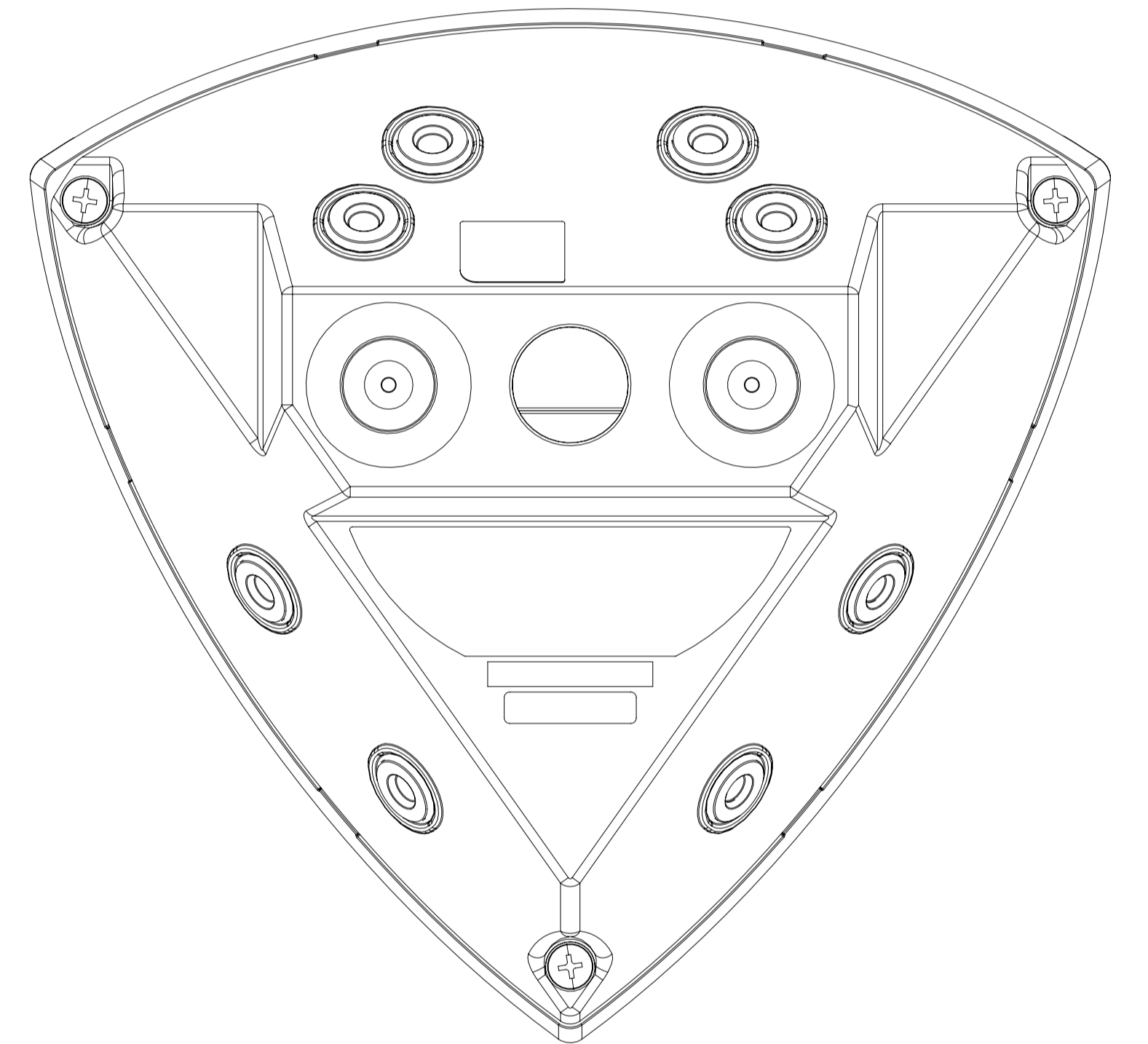
99(3-29/32")

3(1/8")

128(5-1/32")

SR48.5(1-29/32")

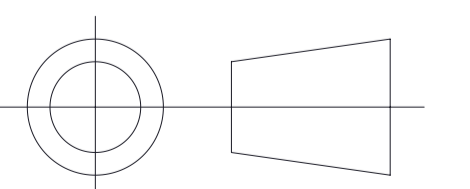
138(5-7/16")

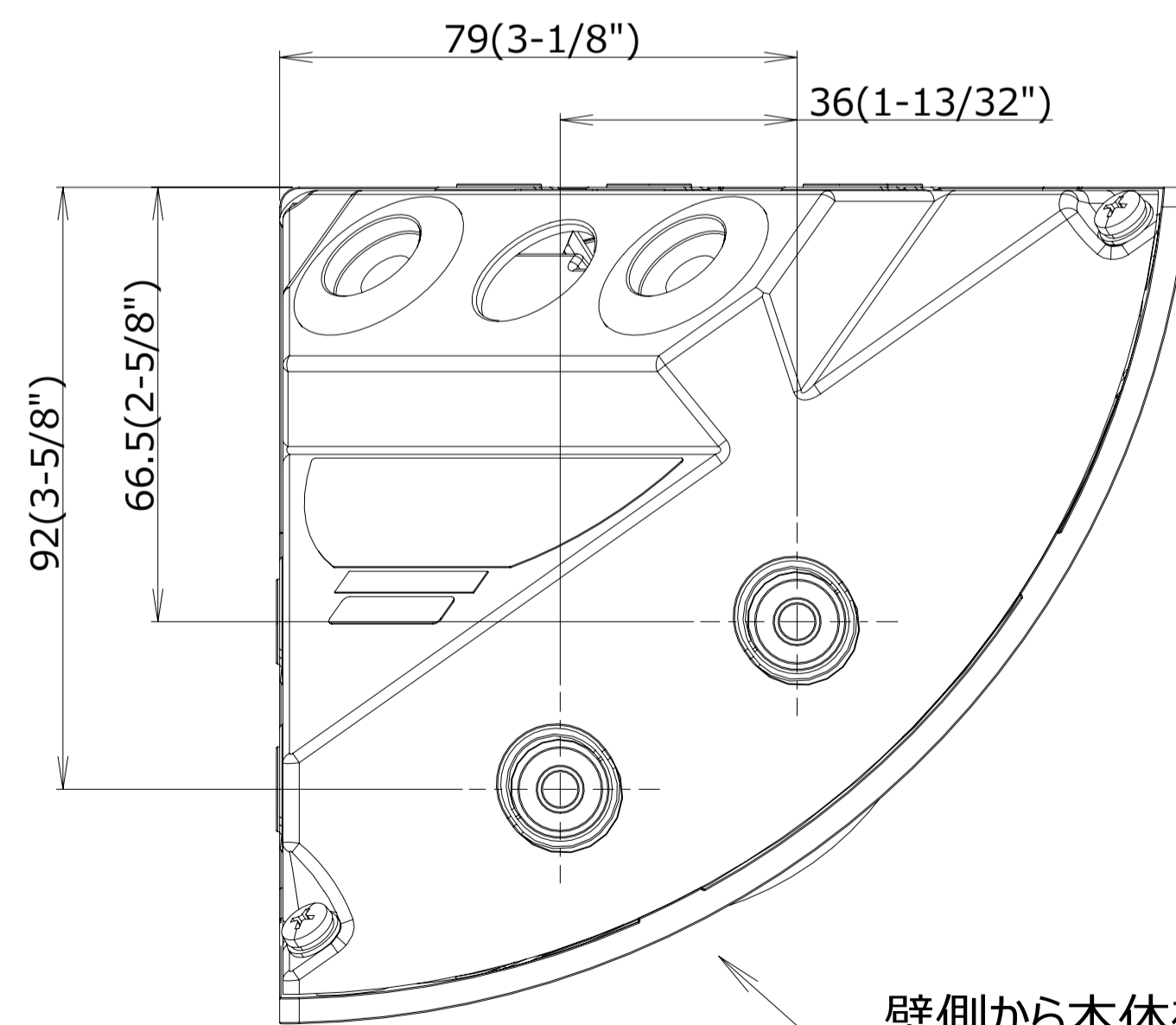
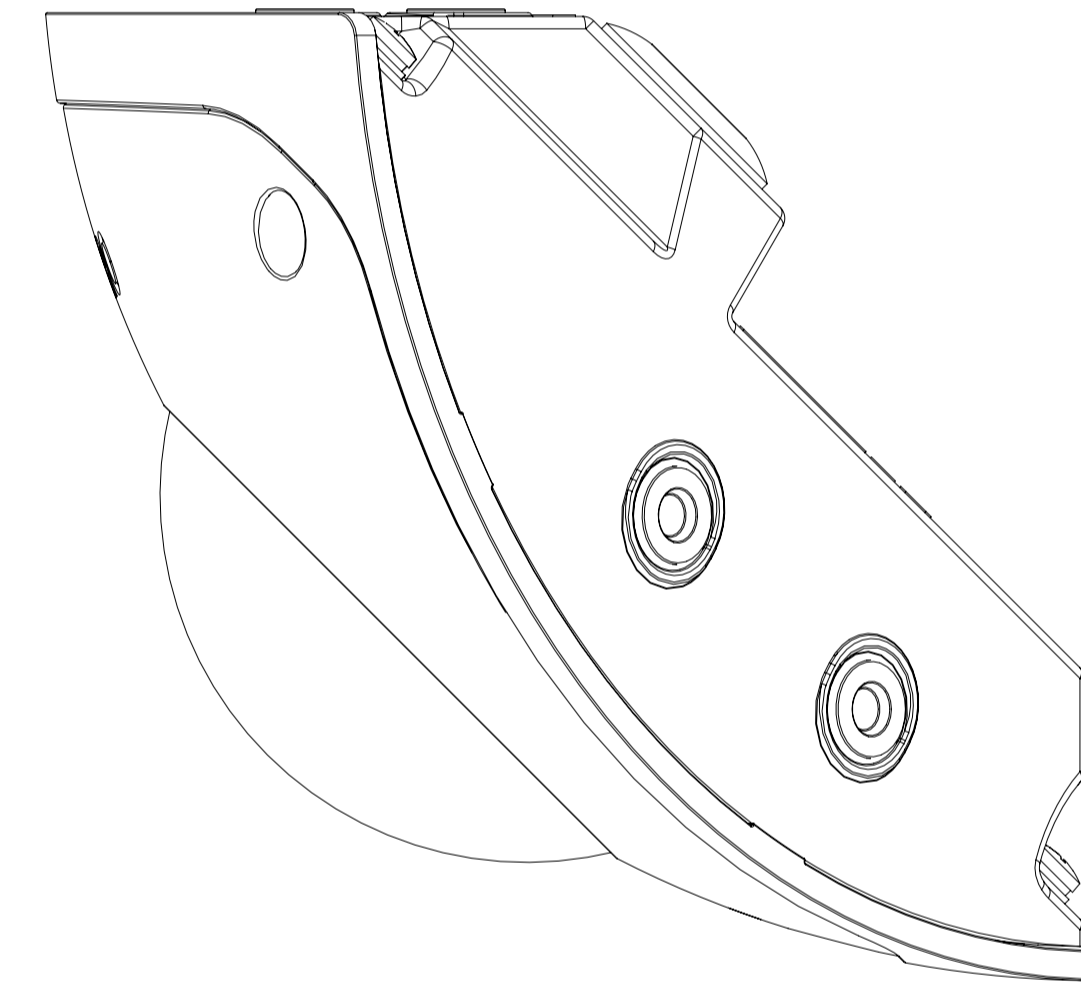
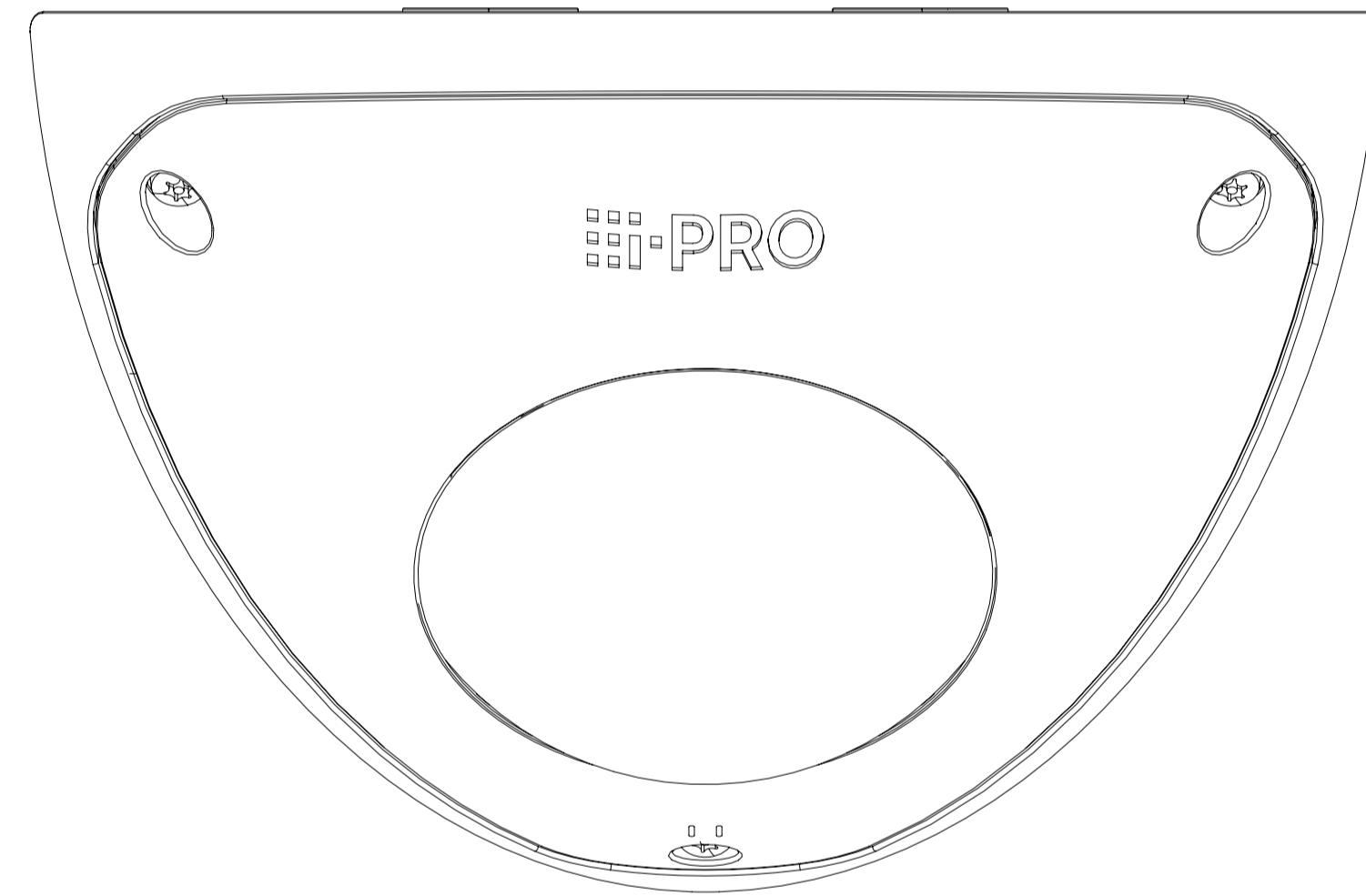
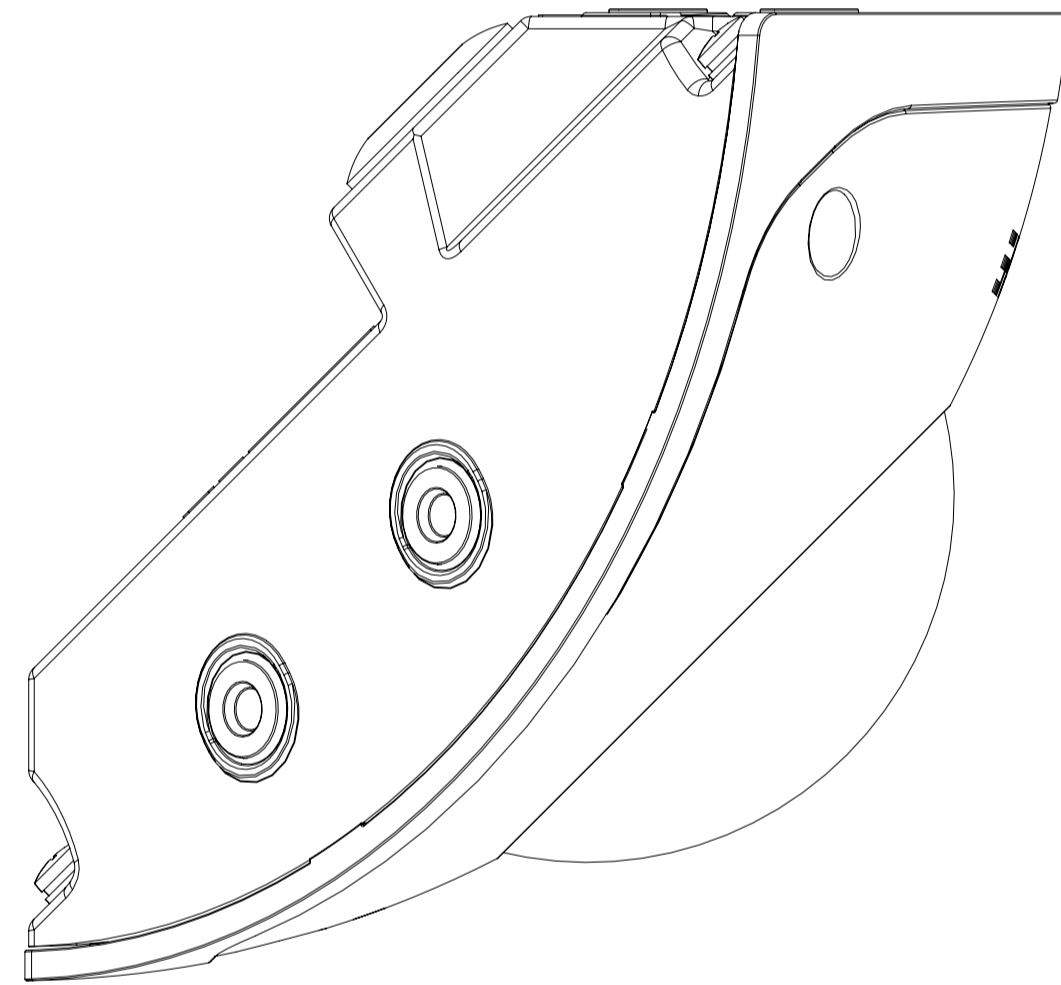
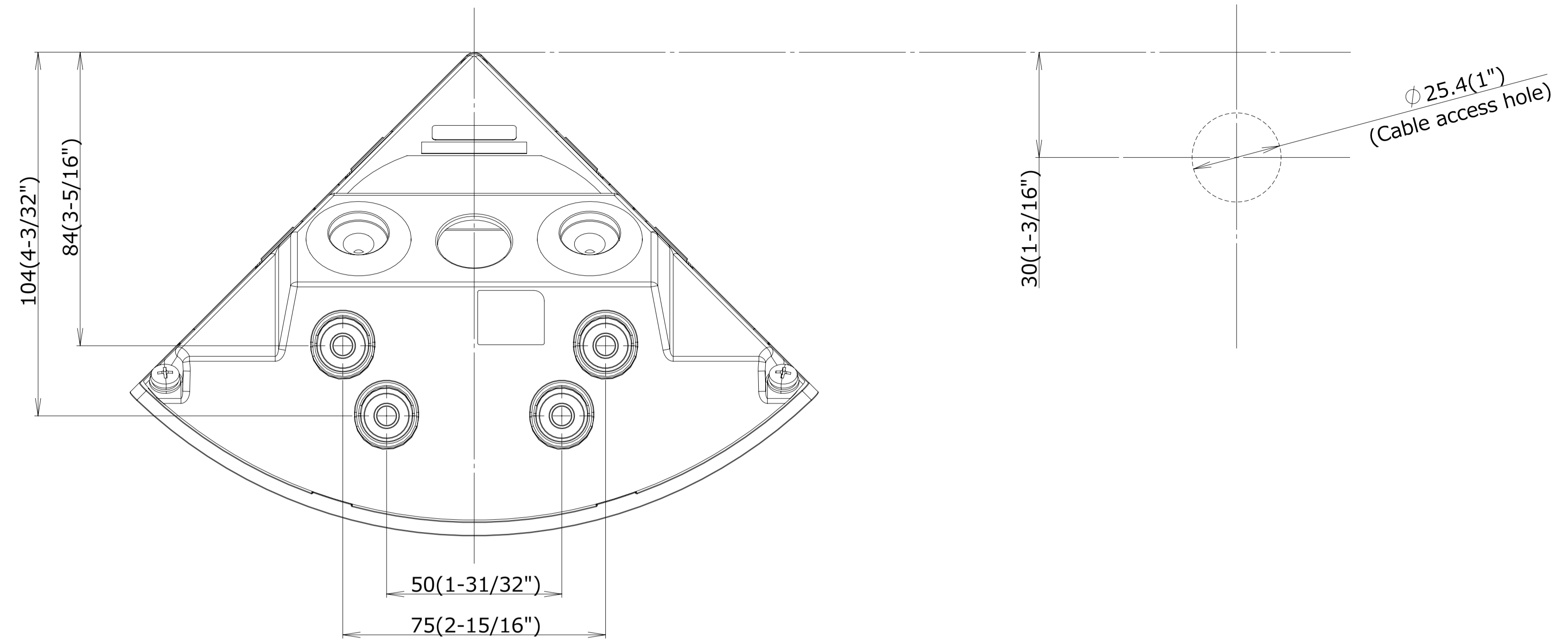


Model number  
WV-X25580-F2LN2V

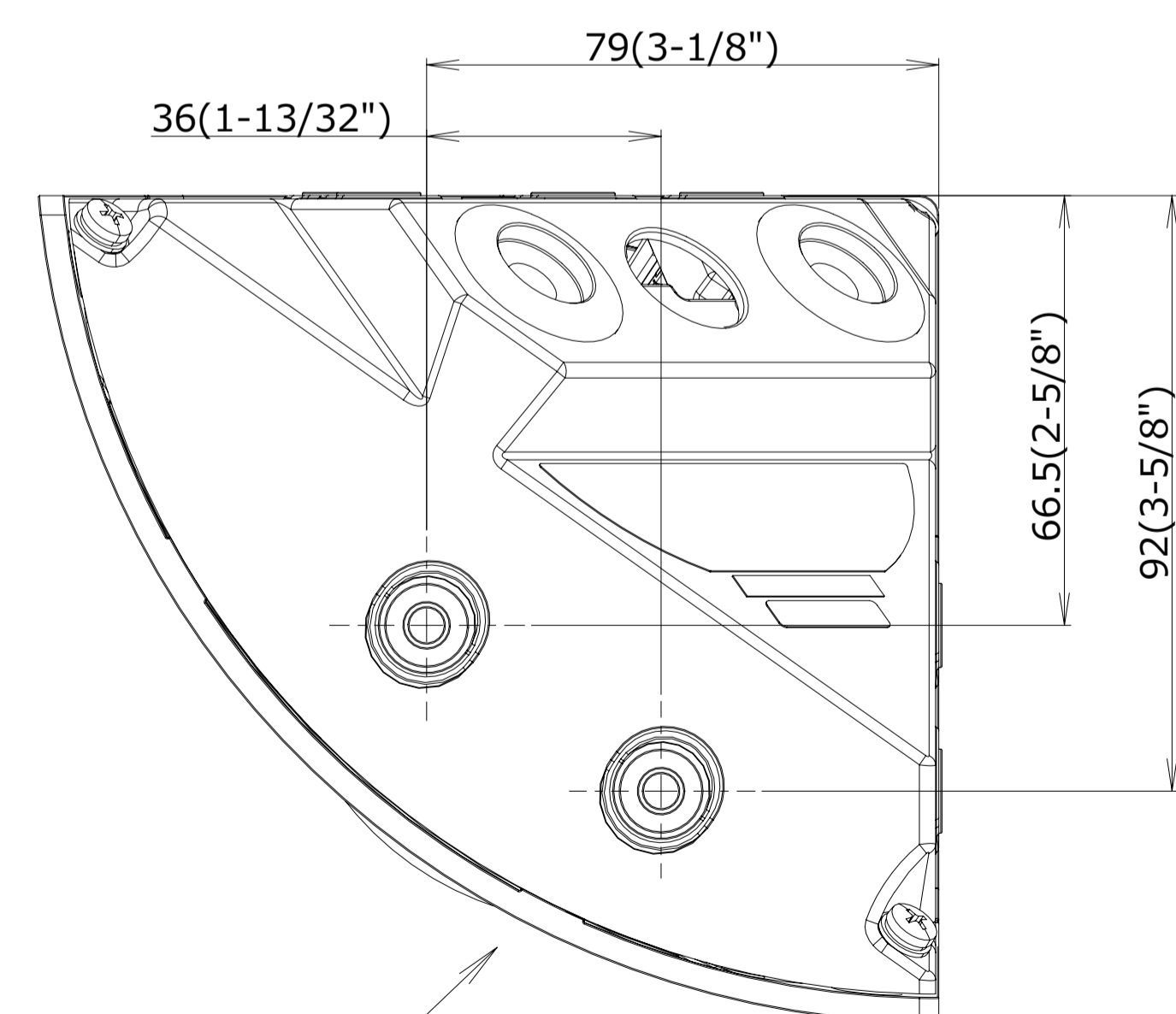
Mass : Approx. 1.9 kg {4.19 lbs}

Unit:mm





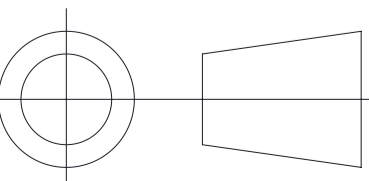
壁側から本体を見た図  
View of the main unit from the wall side

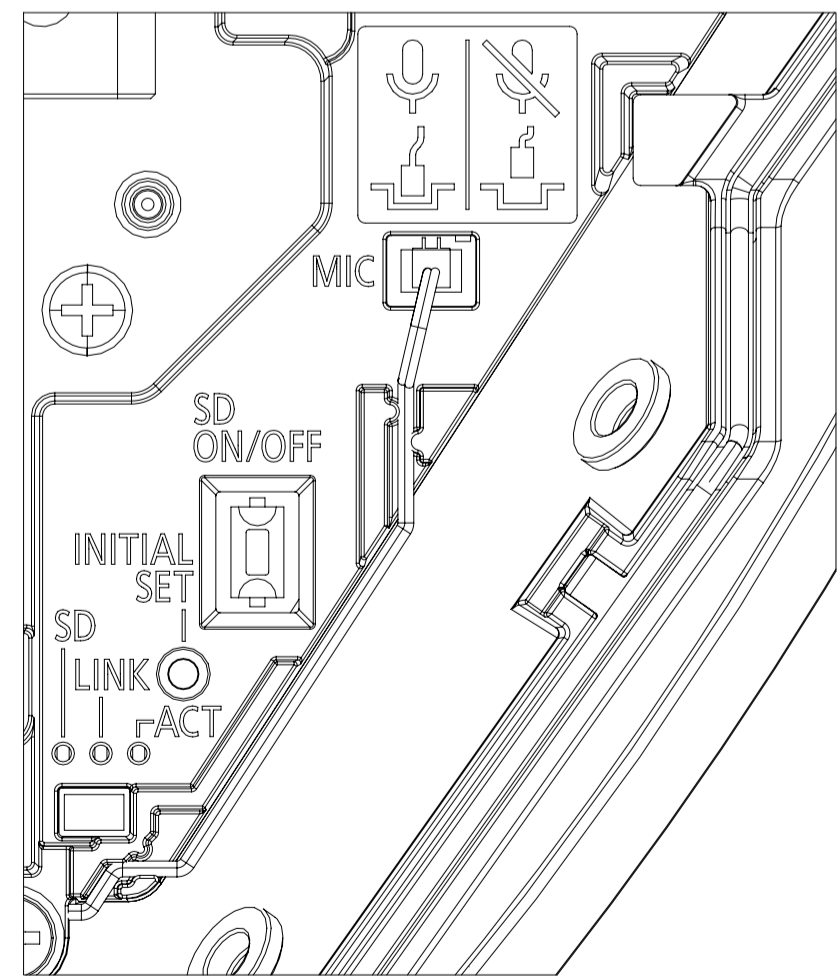
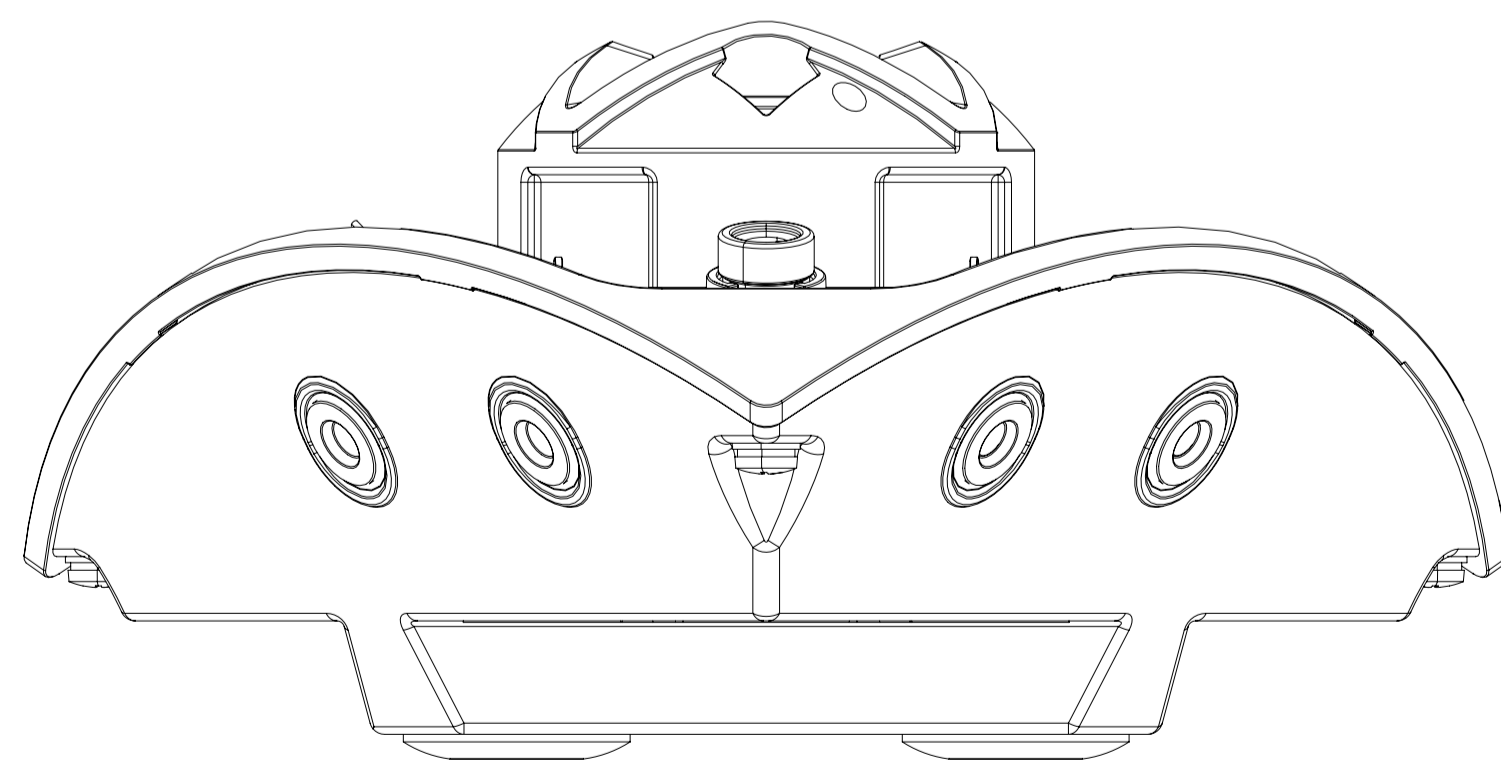
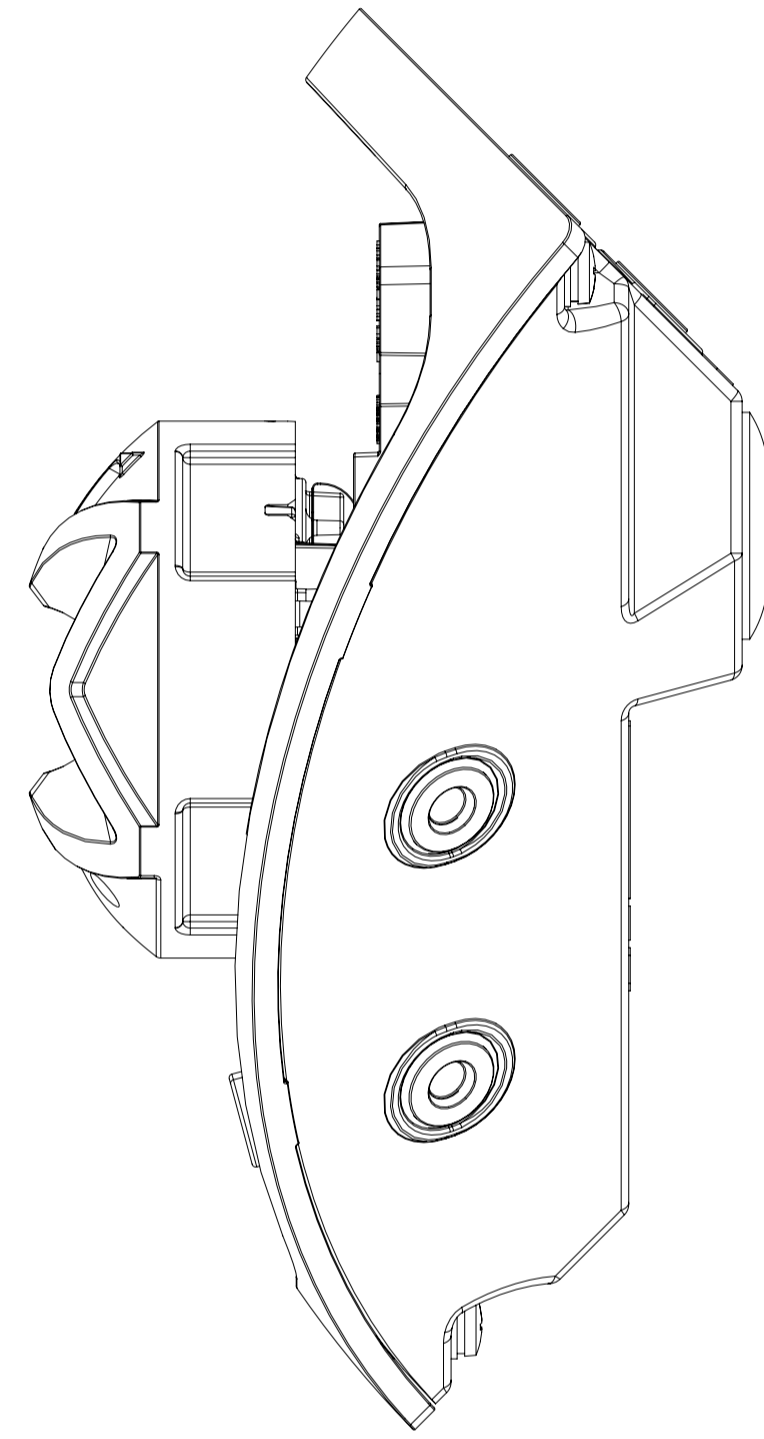
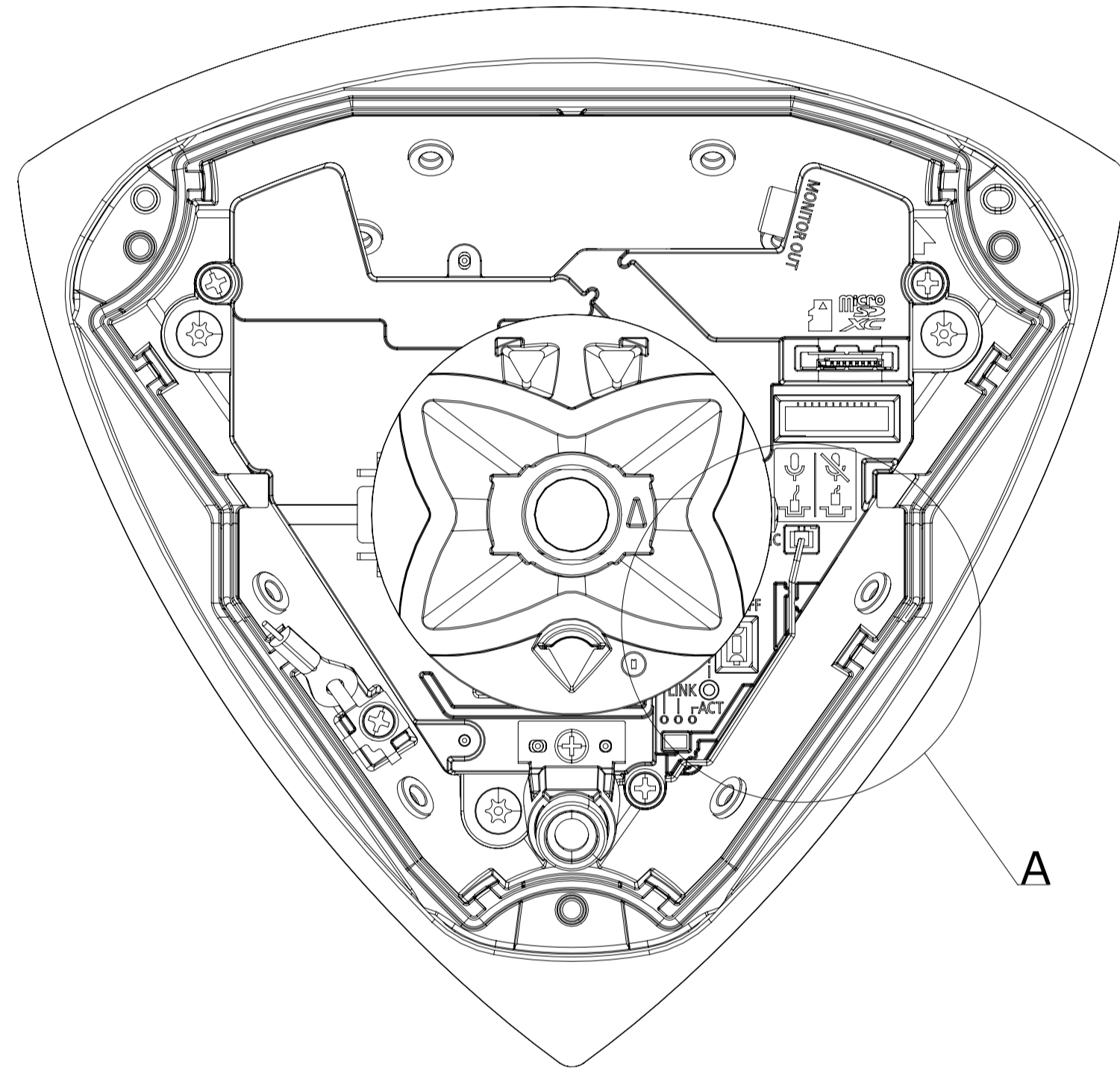
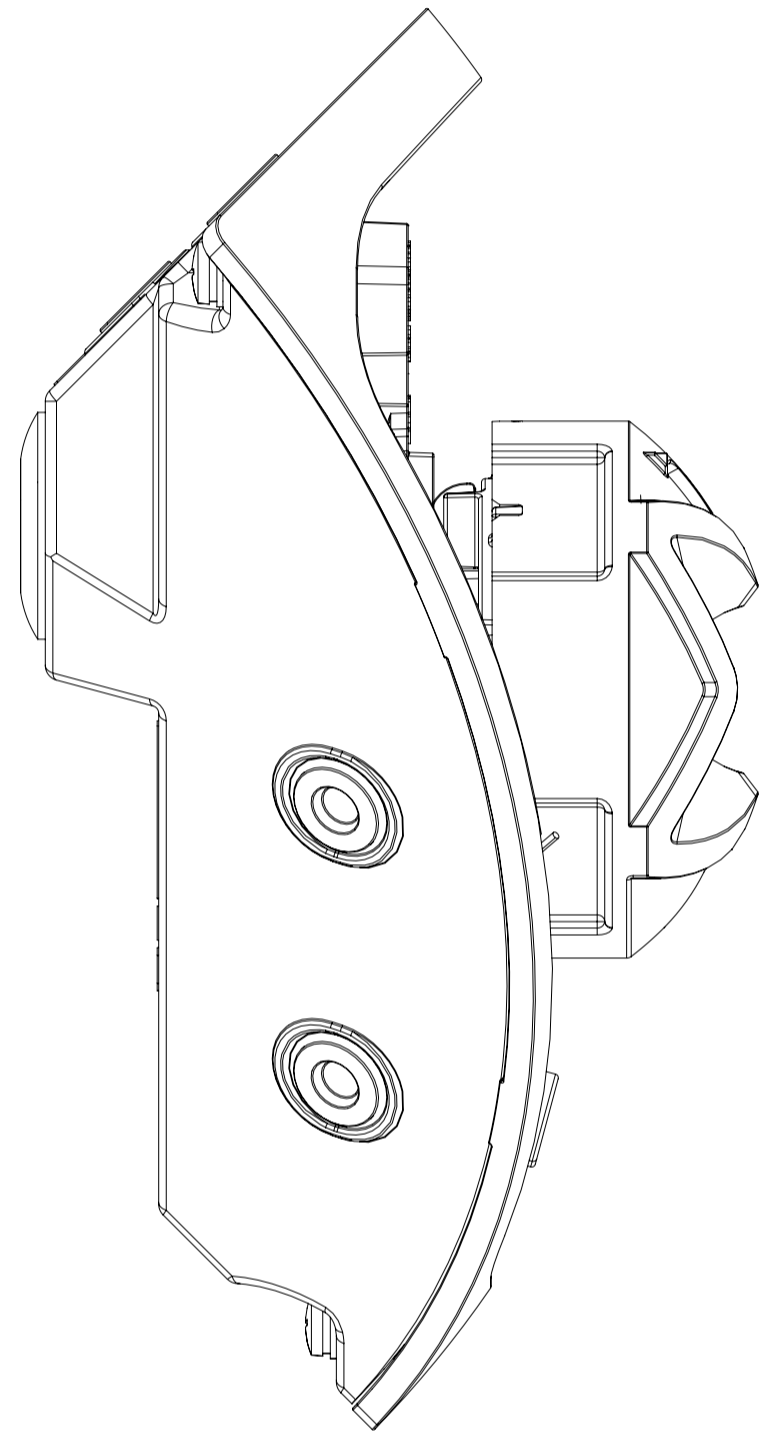
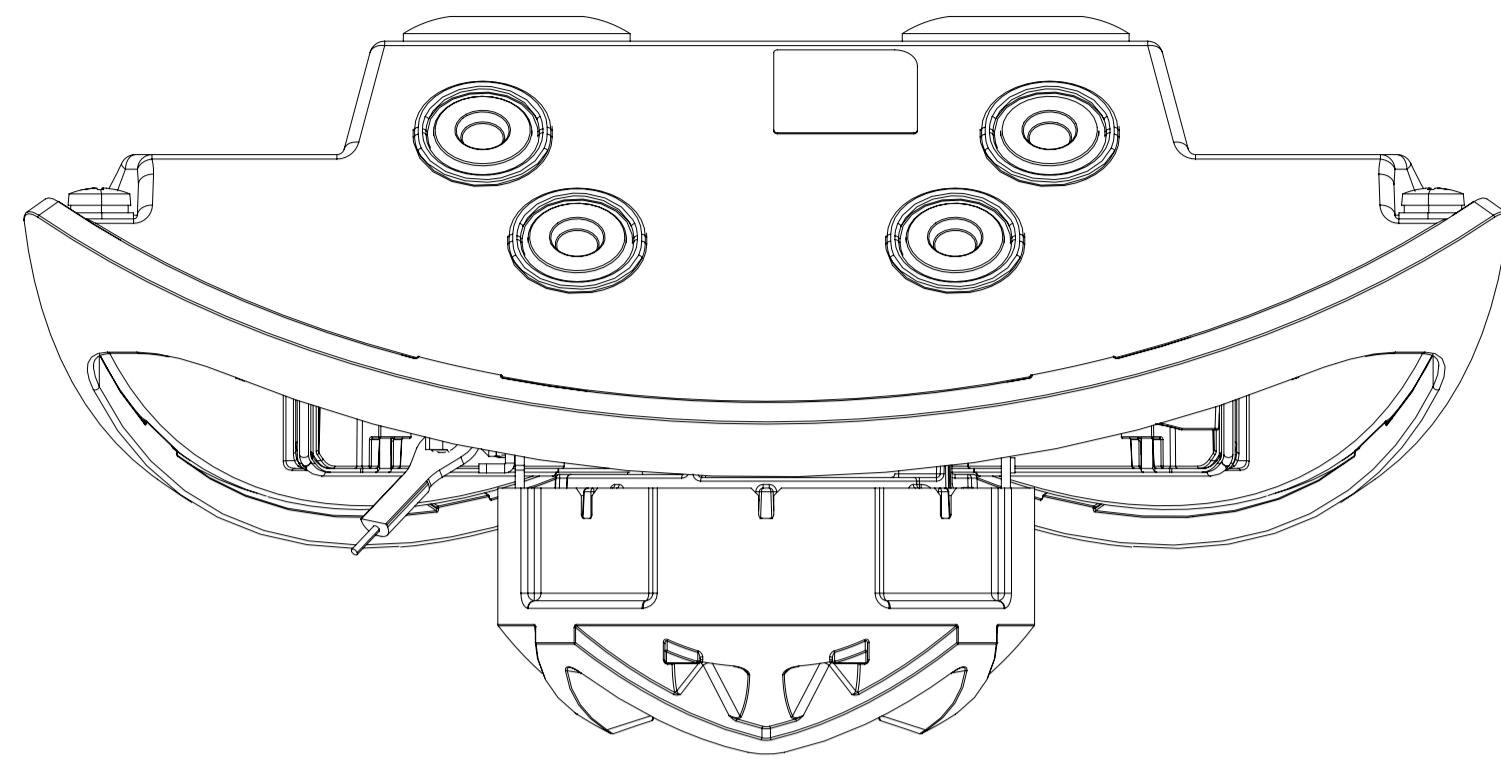


壁側から本体を見た図  
View of the main unit from the wall side

Model number  
WV-X25580-F2LN2V

Unit:mm

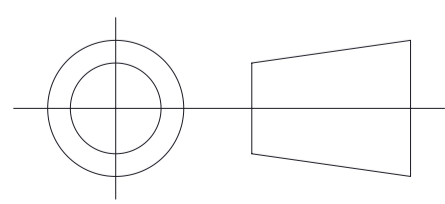




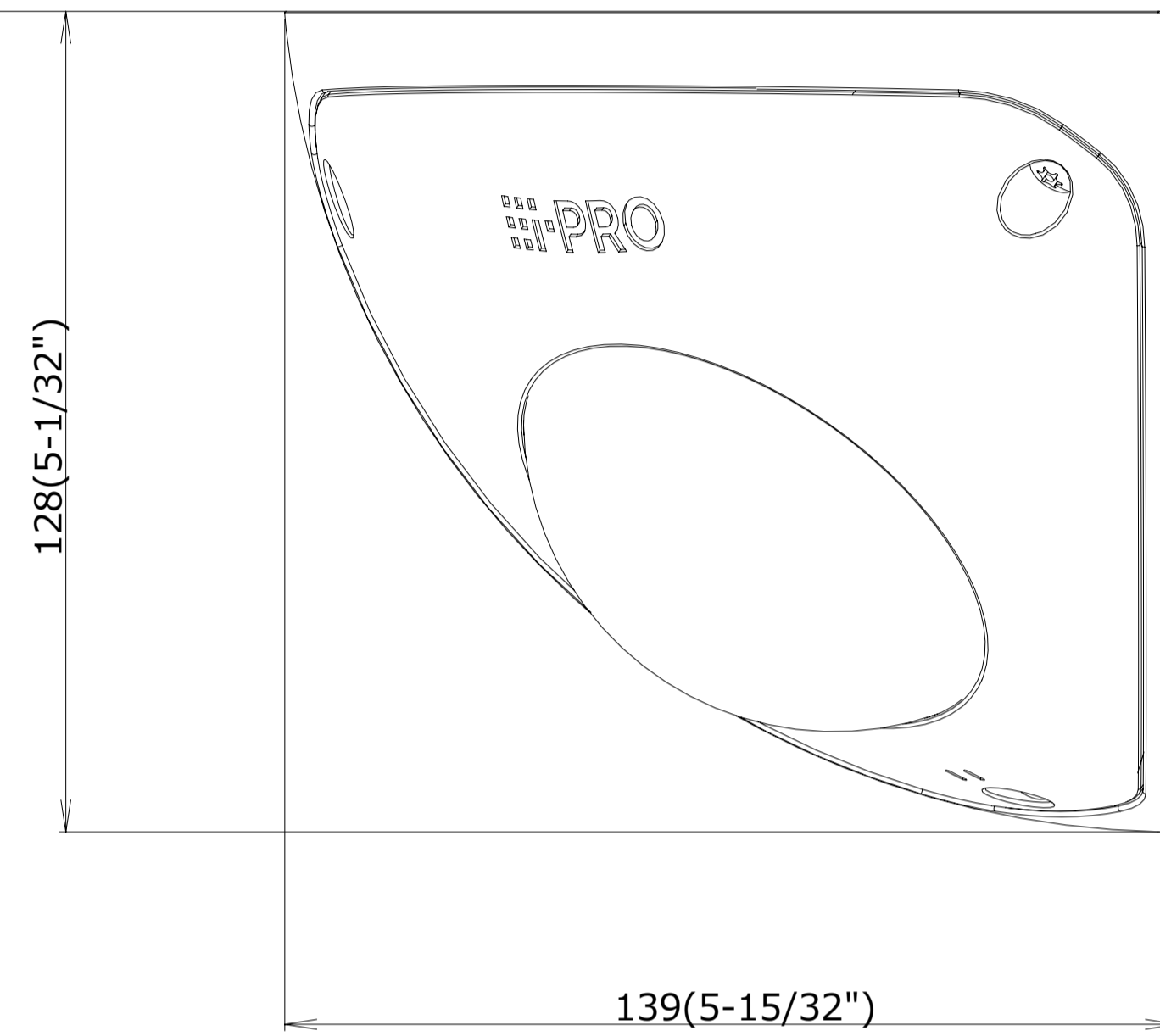
Detail A  
S= 2 : 1

Model number  
WV-X25580-F2LN2V

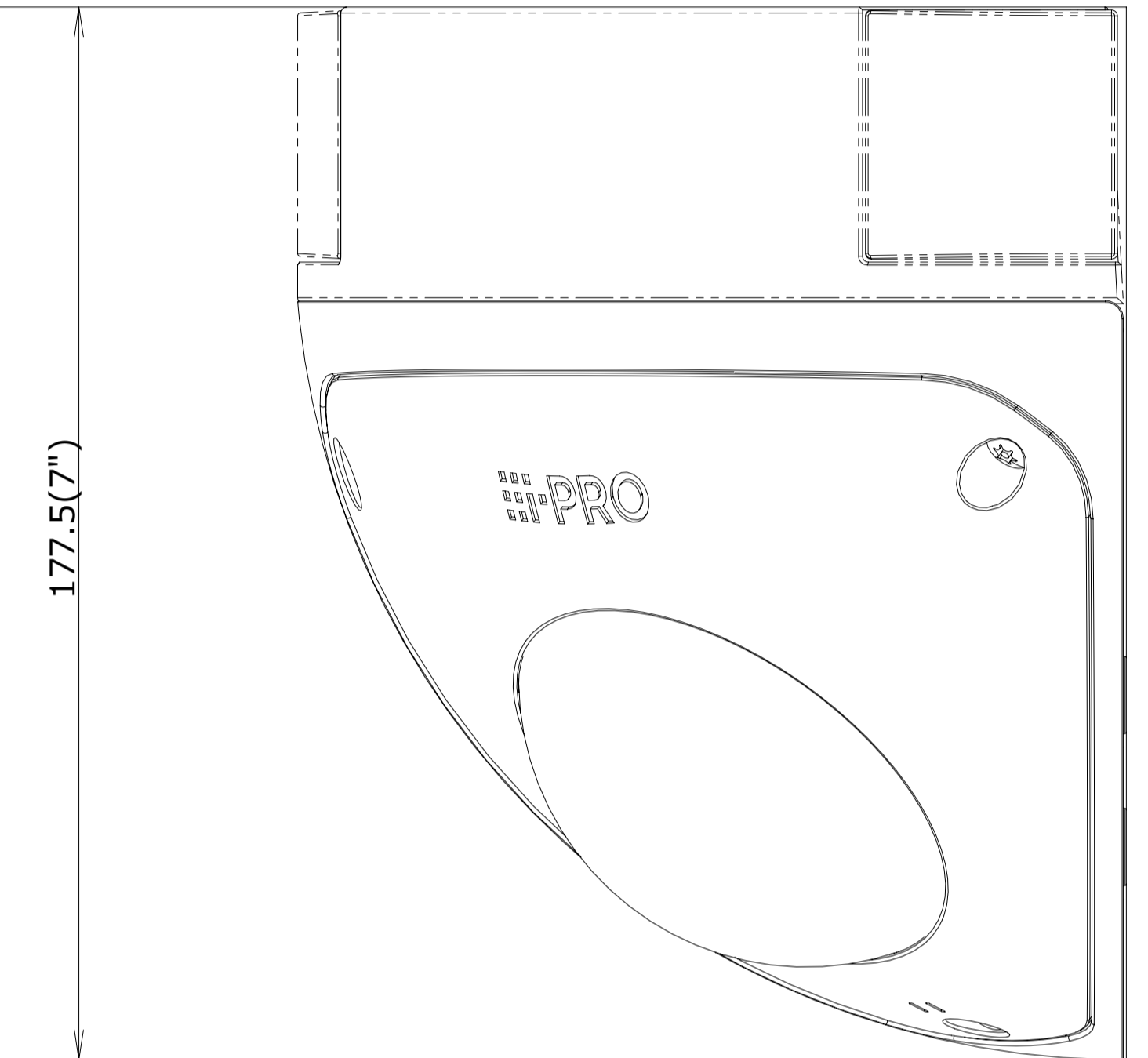
Unit:mm



金具との組み合わせ例  
Example of combination with bracket



工事後の取付状態  
Mounted state after construction



Attach to WV-QJB506-S

Model number  
WV-X25580-F2LN2V

Unit:mm

