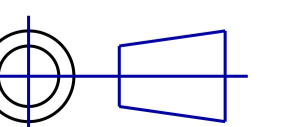


Model number
WV-X15300-V3L
WV-X15300-V3LN
WV-X15300-V3LNJ
WV-X15500-V3L
WV-X15500-V3LN
WV-X15500-V3LNJ
WV-X15600-V2L
WV-X15600-V2LN
WV-X15700-V2L
WV-X15700-V2LN
WV-X15700-V2LNJ

	投影面積/Projected area
平面図/Top-view	0.033 (m ²)
側面図/Side-view	0.030 (m ²)

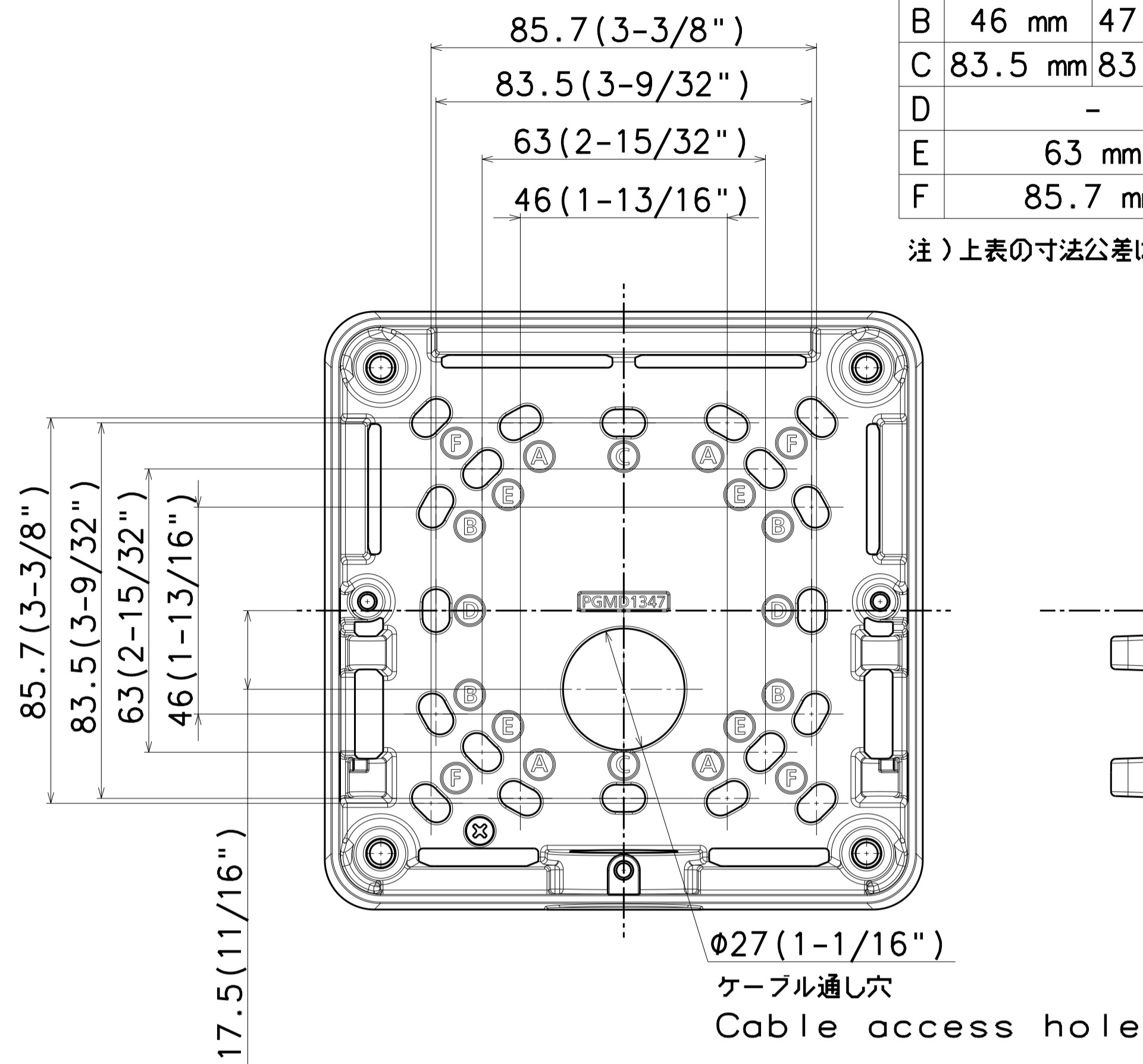
Mass : Approx. 2.5 kg [5.52 lbs]

Unit:mm

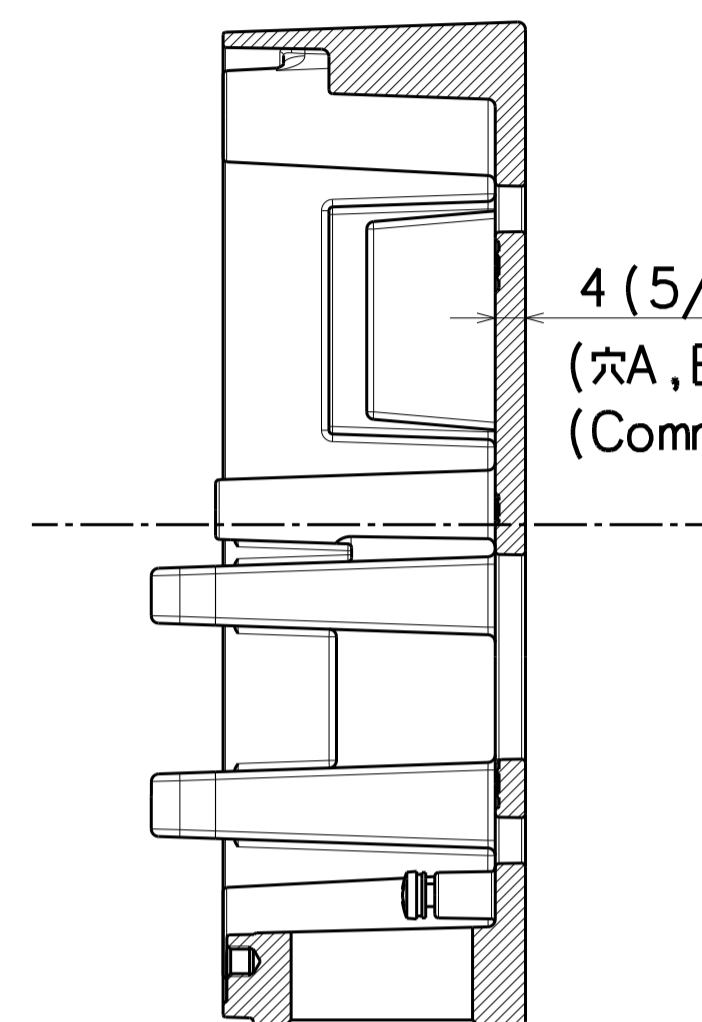


	縦 / Vertical		横 / Horizontal		使用ねじ(個数) / Screw (pcs)
A	83.5 mm	82.5 mm	46 mm	47.6 mm	M4 (4個 / 4 pcs)
B	46 mm	47.6 mm	83.5 mm	82.5 mm	M4 (4個 / 4 pcs)
C	83.5 mm	83.3 mm	-	-	M4 (2個 / 2 pcs)
D	-	-	83.5 mm	83.3 mm	M4 (2個 / 2 pcs)
E	63 mm	63 mm	-	-	M4 (4個 / 4 pcs)
F	85.7 mm	85.7 mm	-	-	M4 (4個 / 4 pcs)

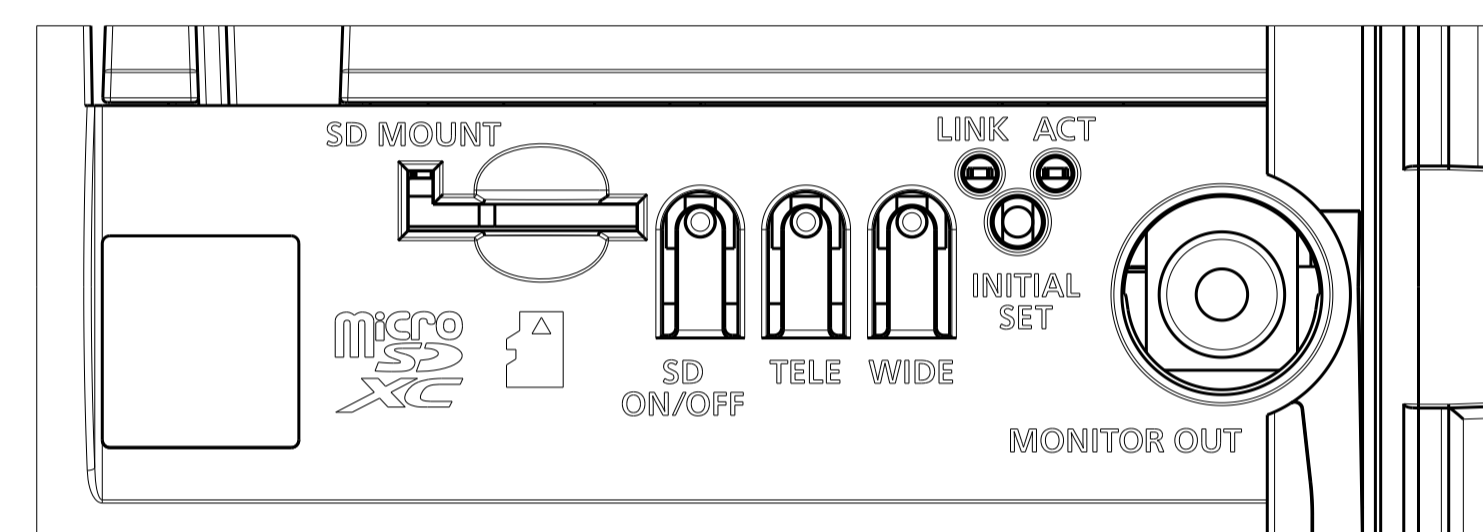
注) 上表の寸法公差は±0.2 mm / Tolerance ±0.2 mm



Mounting hole layout

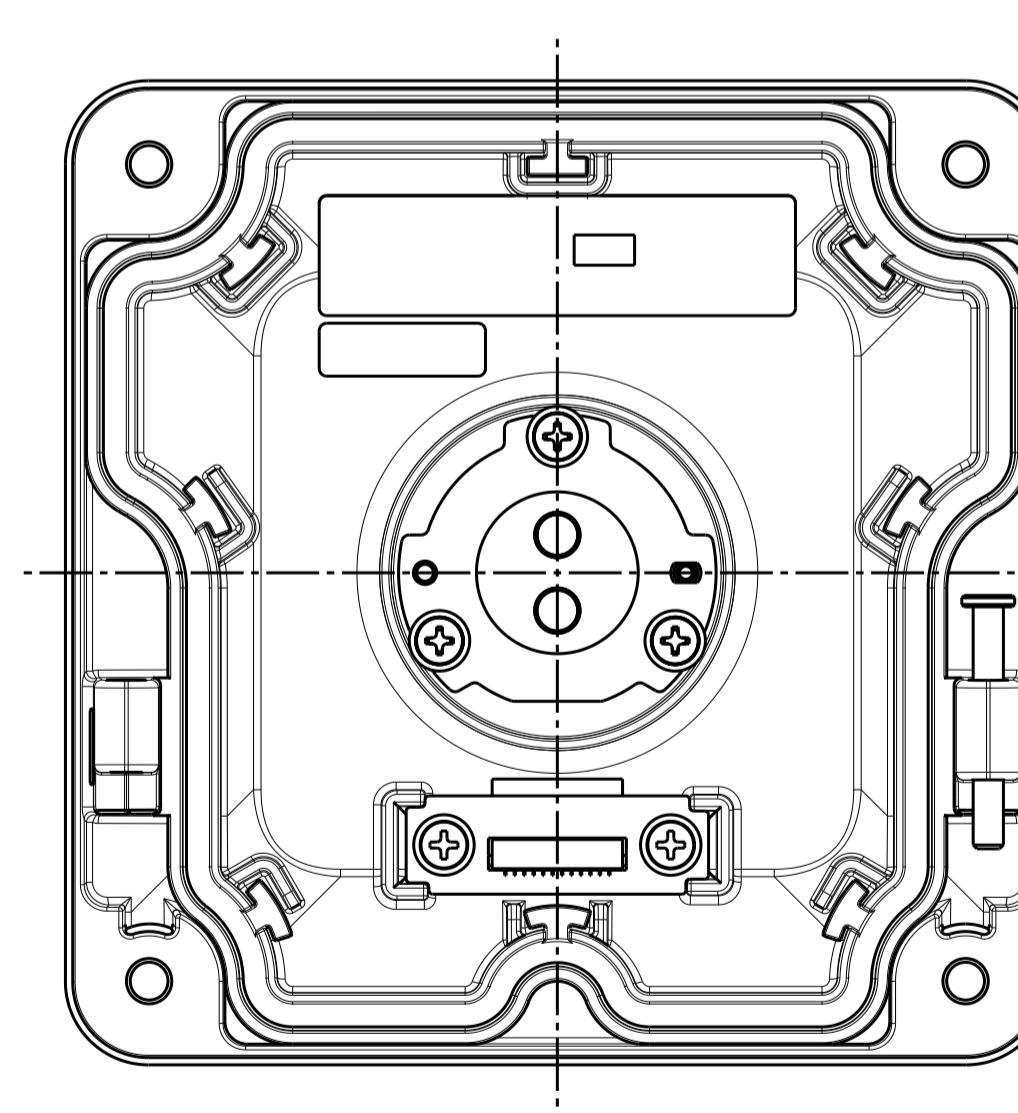
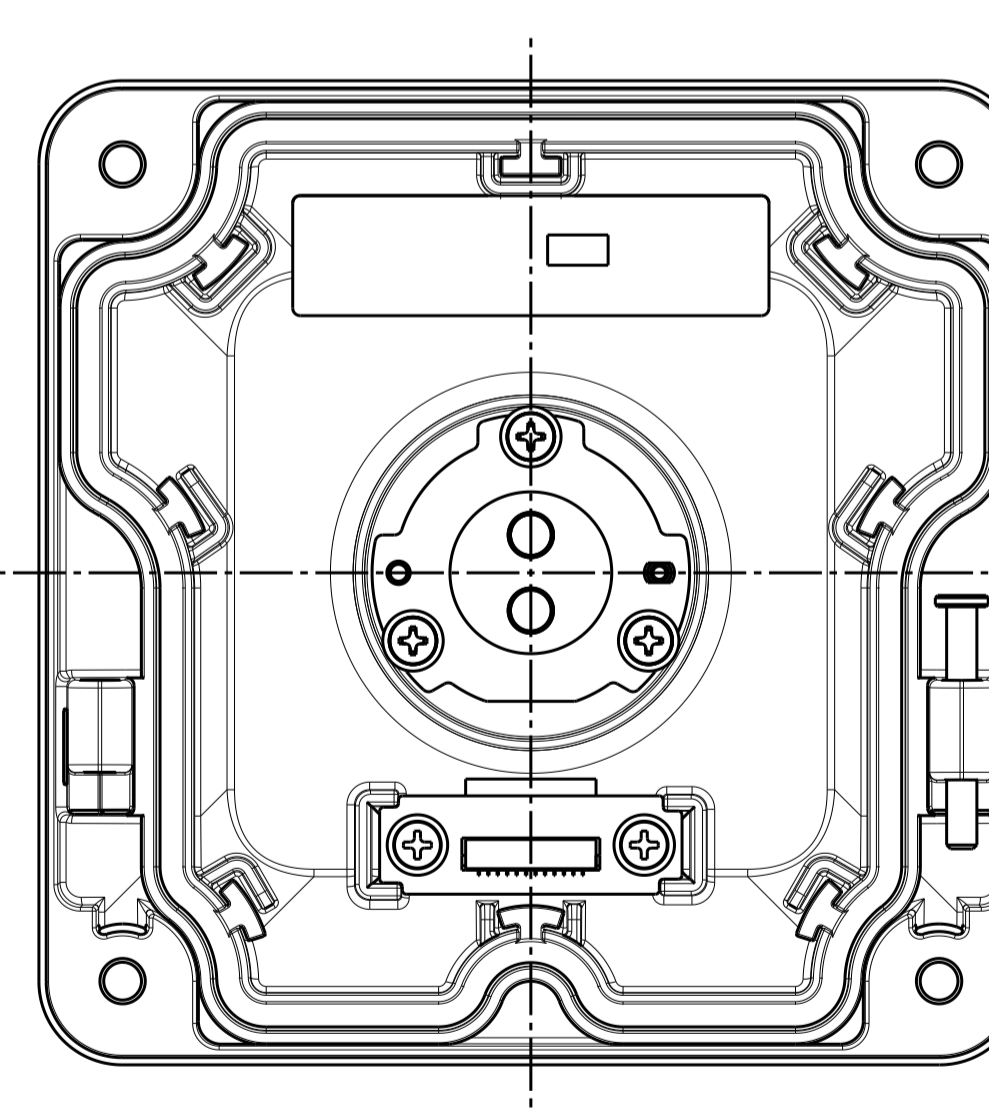
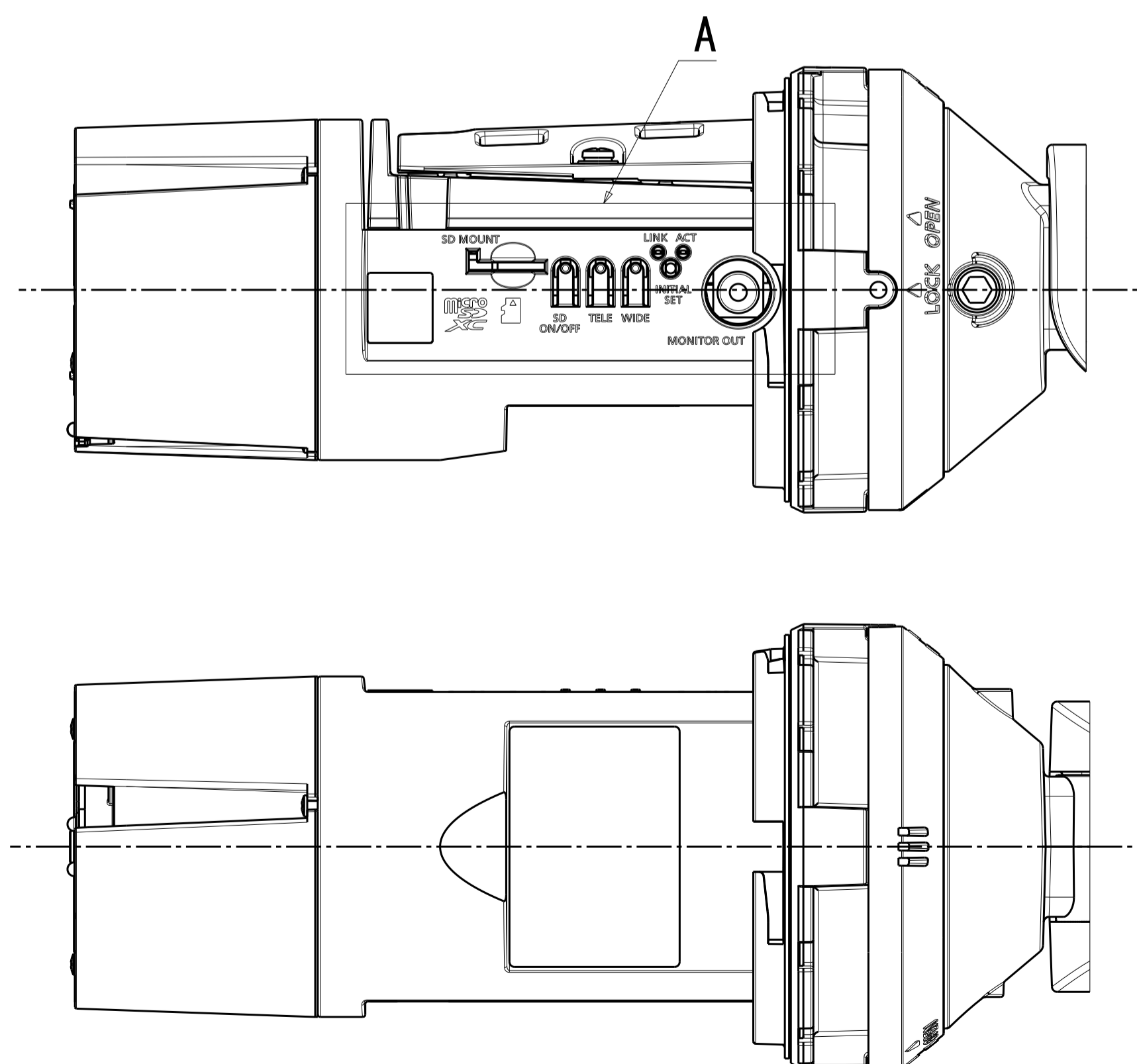
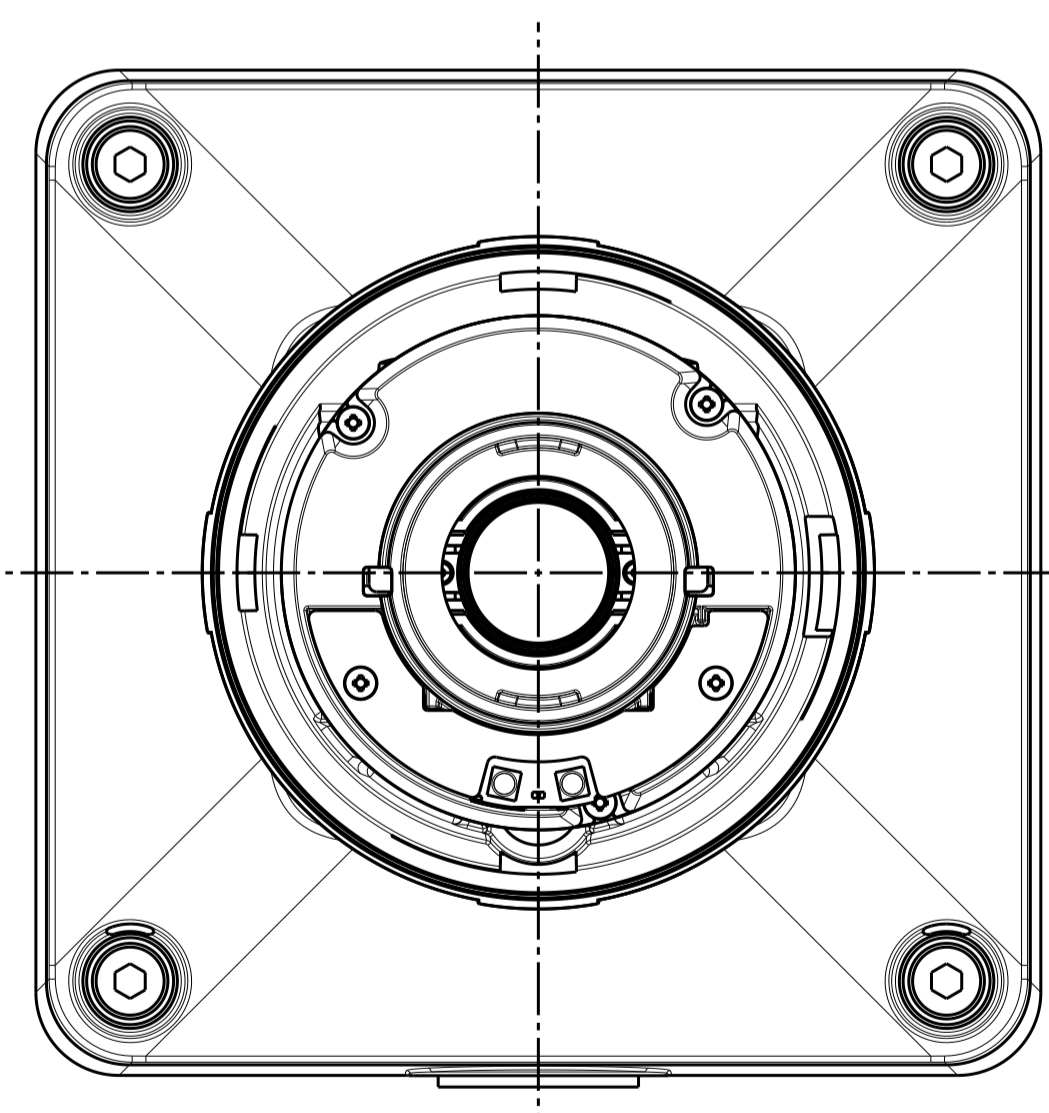


4 (5/32")
(穴A, B, C, D, E, F部共通)
(Common to holes A, B, C, D, E and F)



Detail A (2:1)

Model number
WV-X15300-V3L
WV-X15300-V3LN
WV-X15500-V3L
WV-X15500-V3LN
WV-X15600-V2L
WV-X15600-V2LN
WV-X15700-V2L
WV-X15700-V2LN



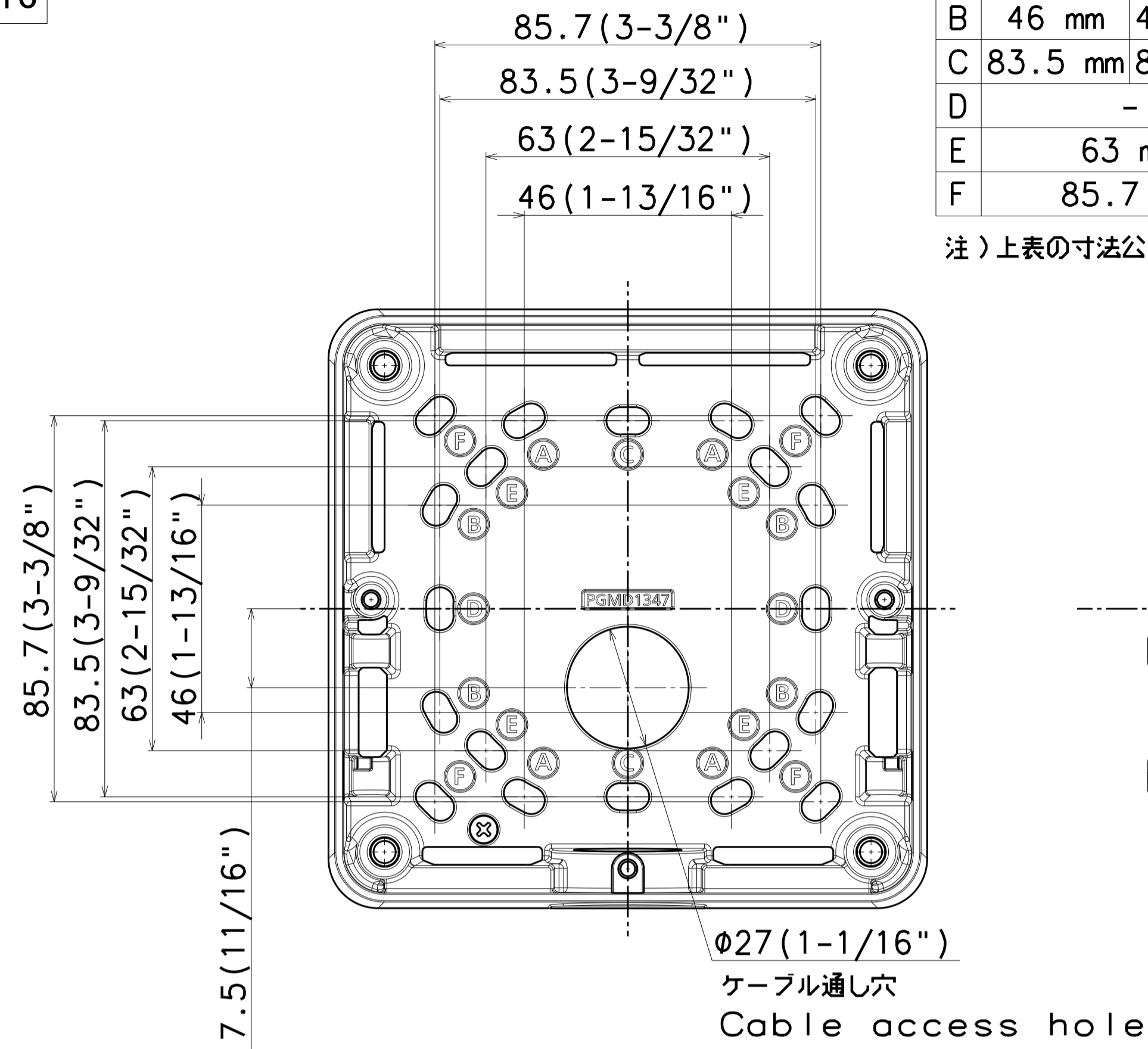
(KC certified model)

Without Adapter box & Grommet cover

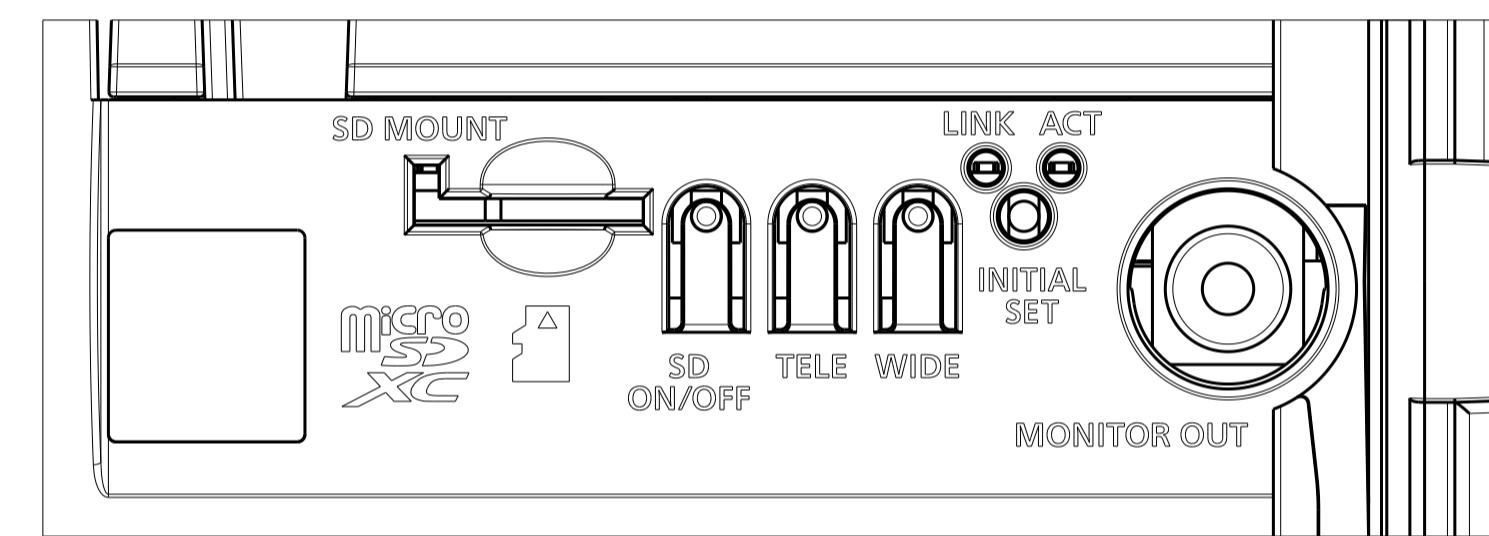
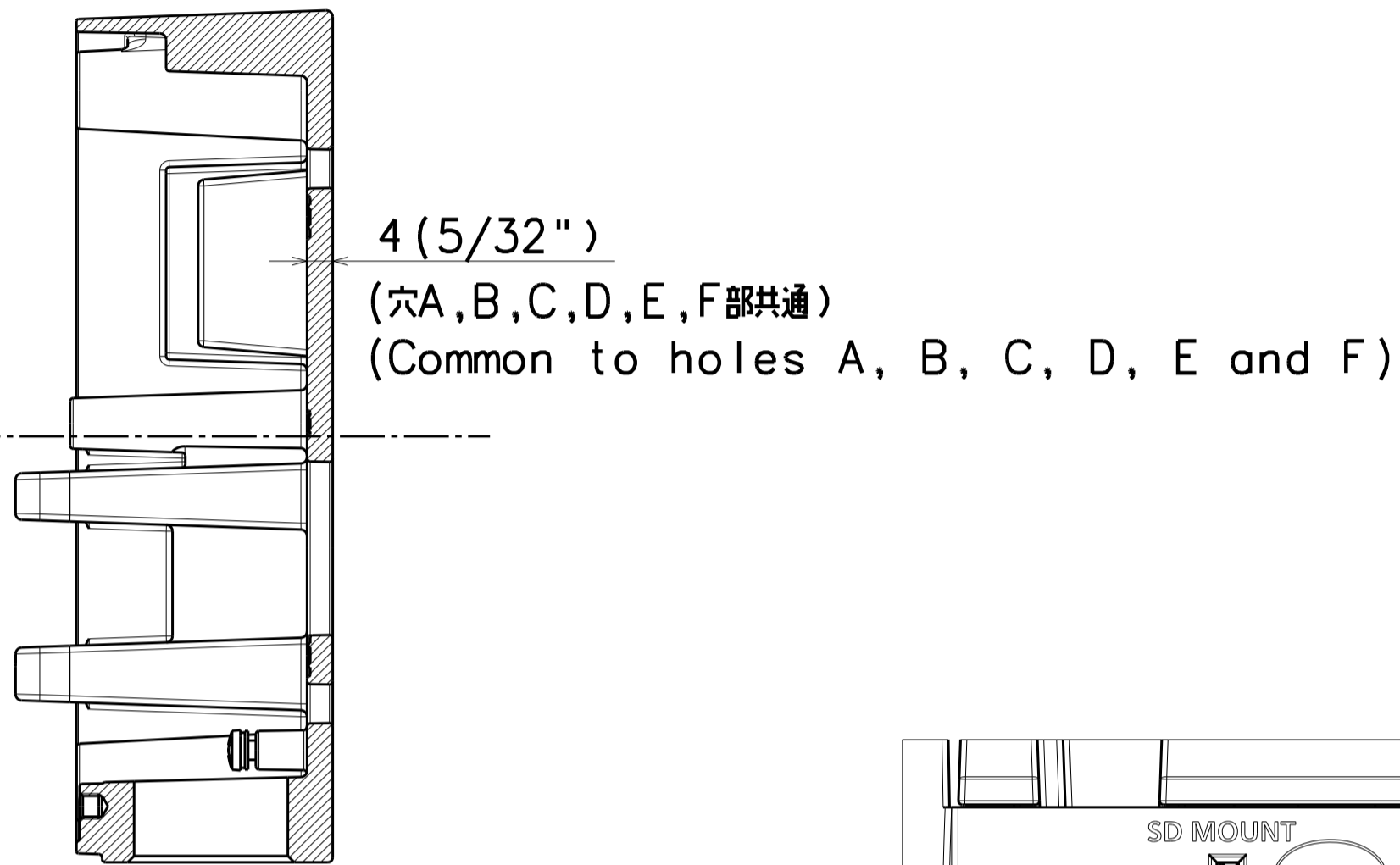
国内向け
Domestic

	縦 / Vertical		横 / Horizontal		使用ねじ(個数) / Screw (pcs)
A	83.5 mm	82.5 mm	46 mm	47.6 mm	M4 (4個 / 4 pcs)
B	46 mm	47.6 mm	83.5 mm	82.5 mm	M4 (4個 / 4 pcs)
C	83.5 mm	83.3 mm	-	-	M4 (2個 / 2 pcs)
D	-	-	83.5 mm	83.3 mm	M4 (2個 / 2 pcs)
E	63 mm	63 mm	63 mm	63 mm	M4 (4個 / 4 pcs)
F	85.7 mm	85.7 mm	85.7 mm	85.7 mm	M4 (4個 / 4 pcs)

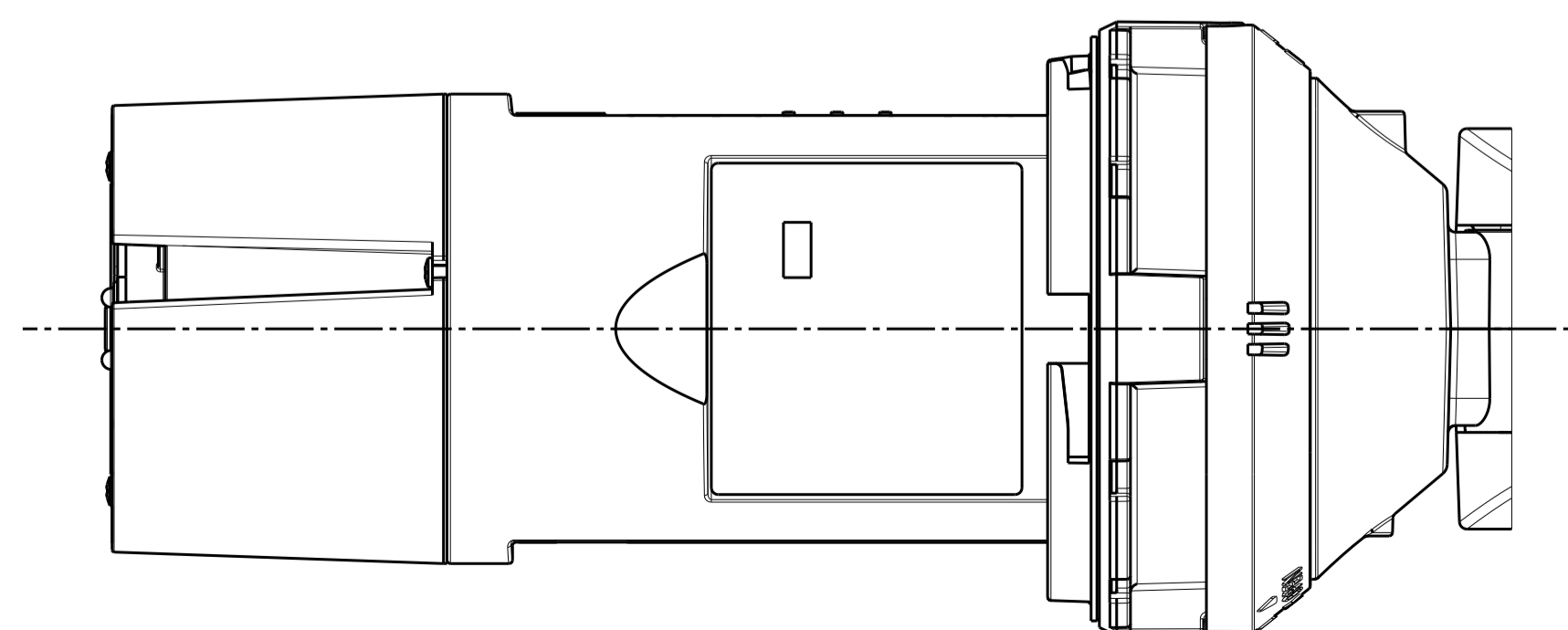
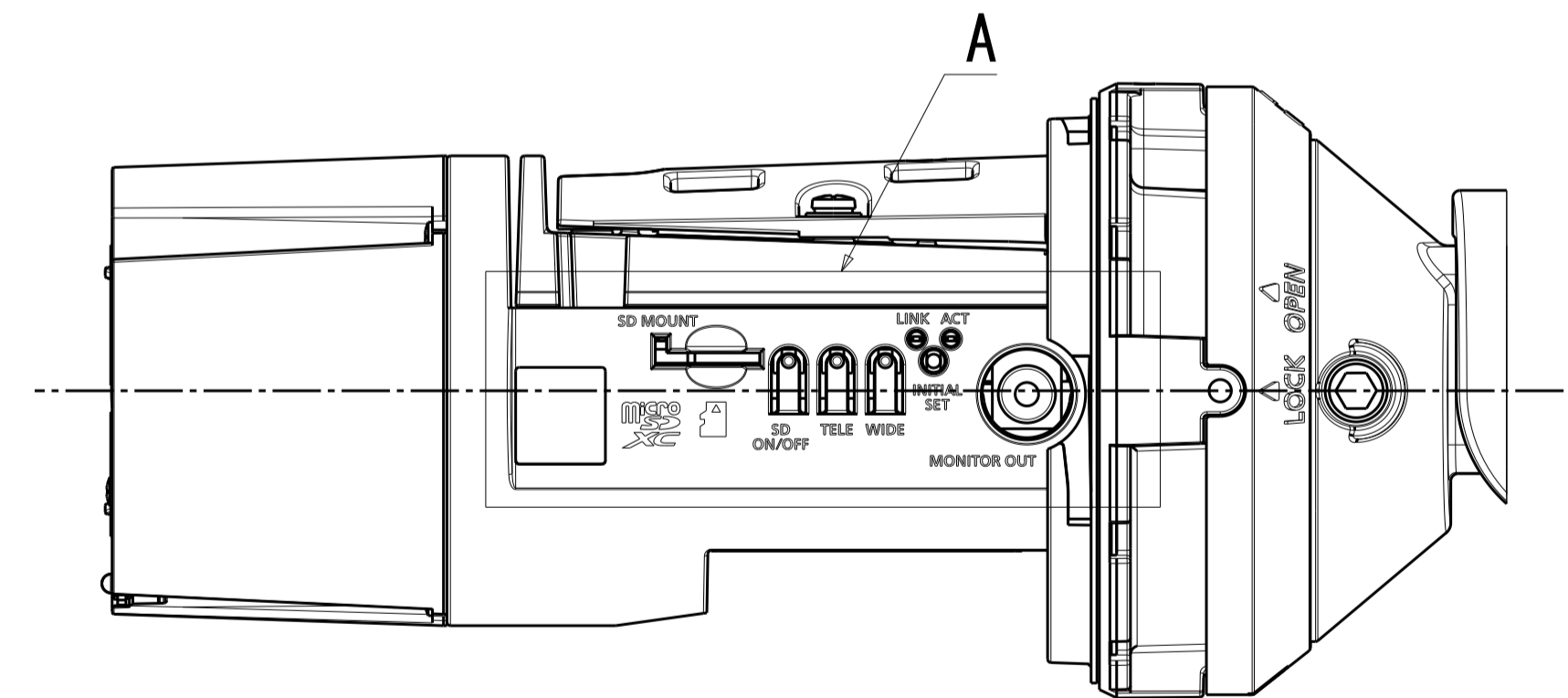
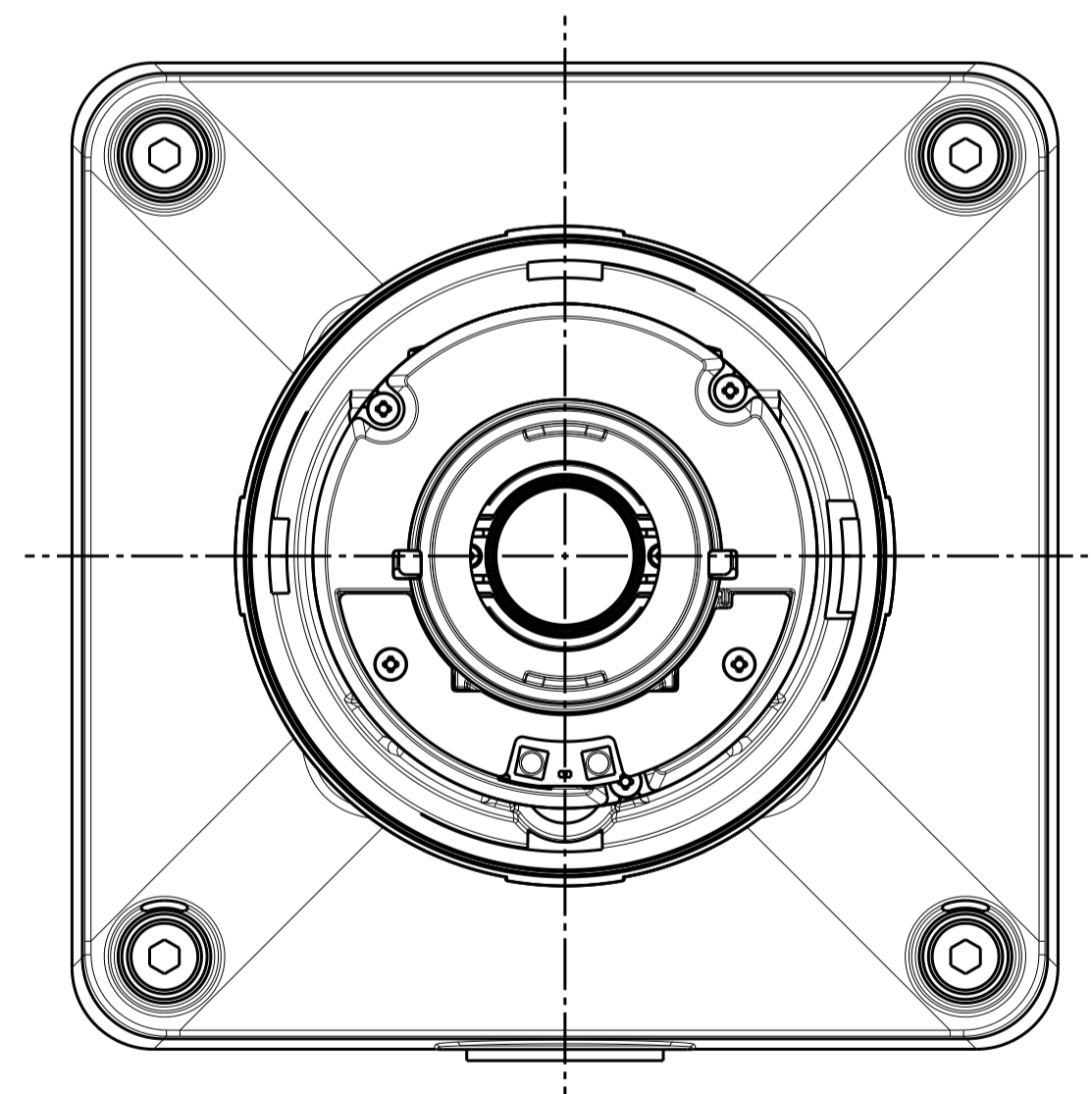
注) 上表の寸法公差は±0.2 mm / Tolerance ±0.2 mm



Mounting hole layout

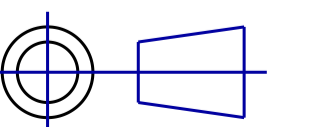


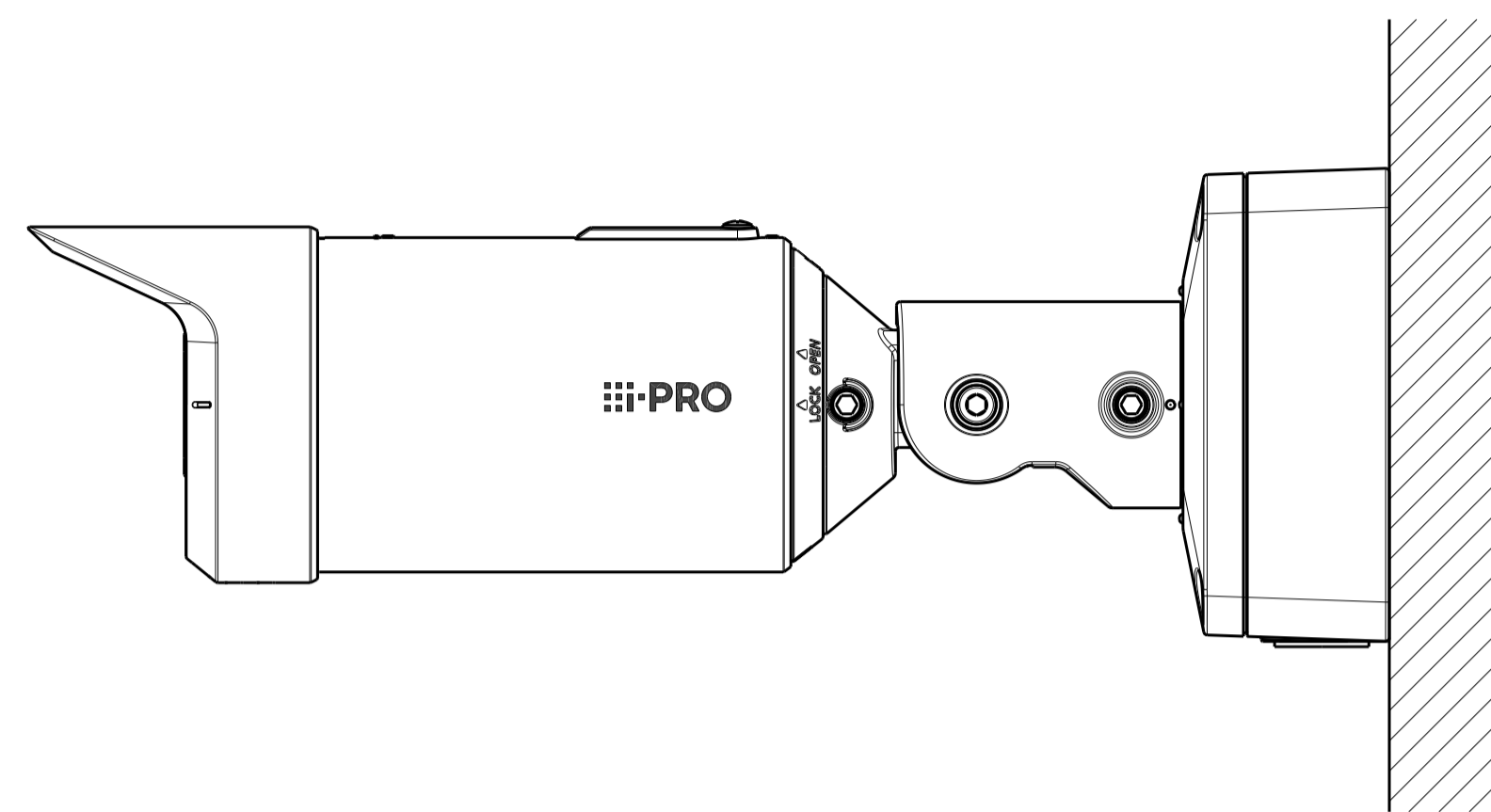
Detail A (2:1)



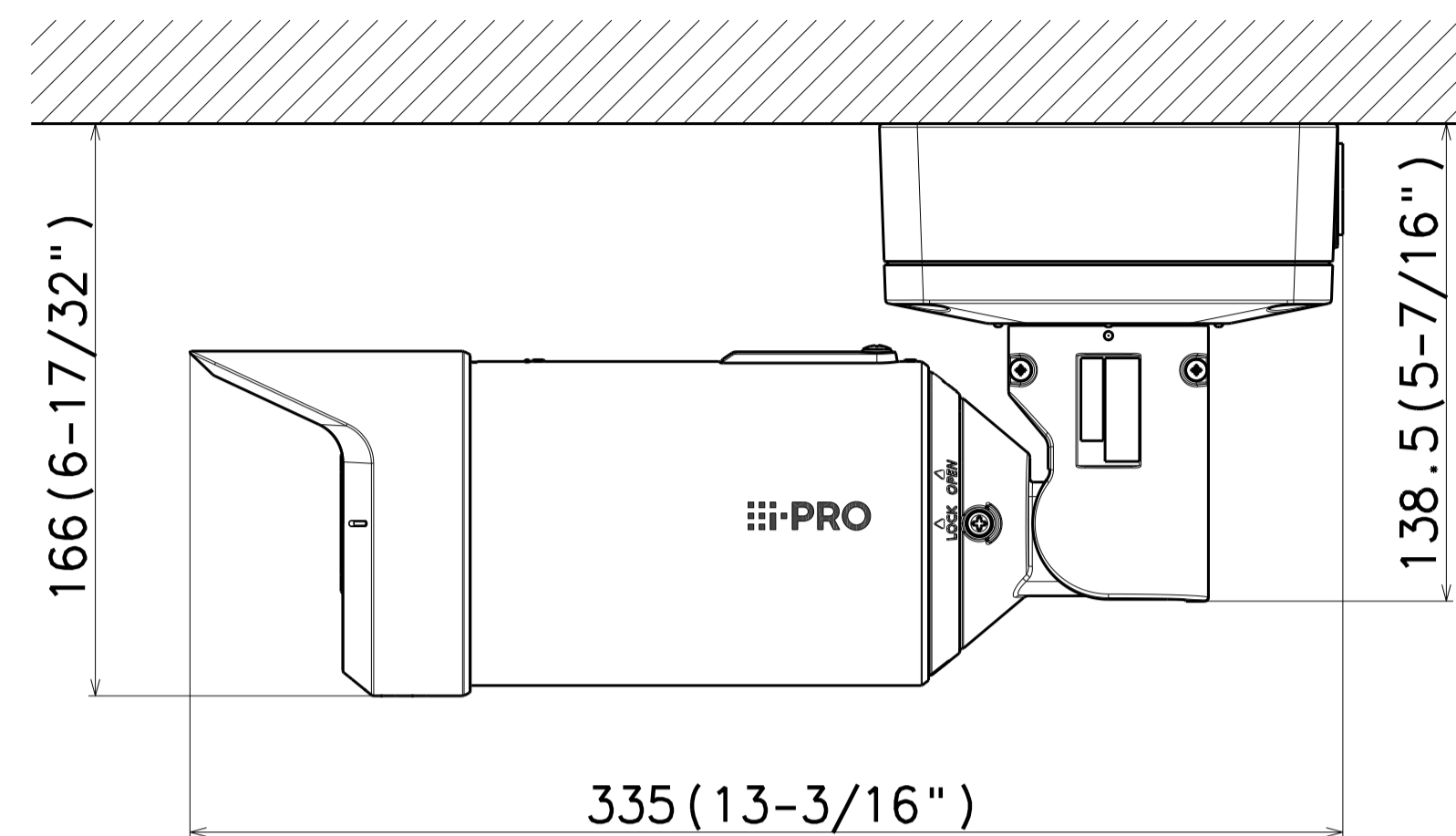
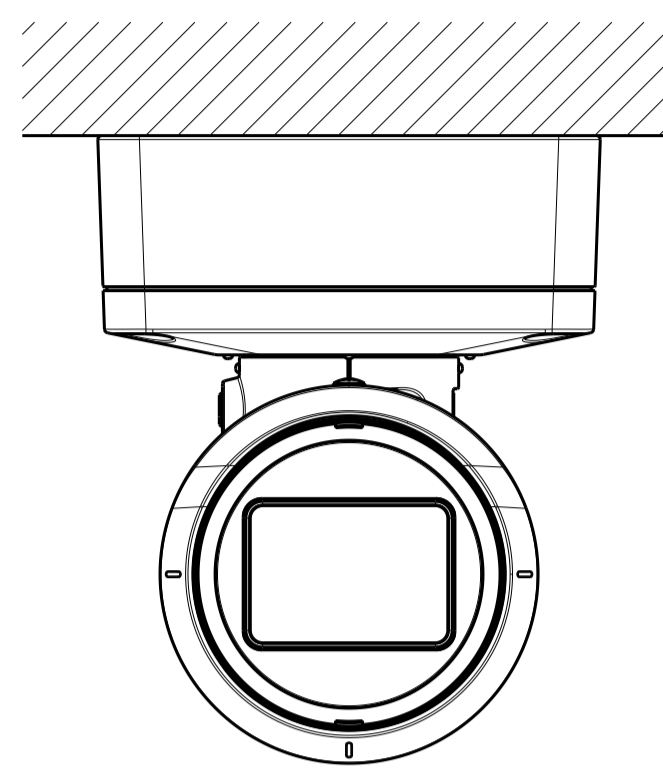
Model number
WV-X15300-V3LNJ
WV-X15500-V3LNJ
WV-X15700-V2LNJ

Unit:mm

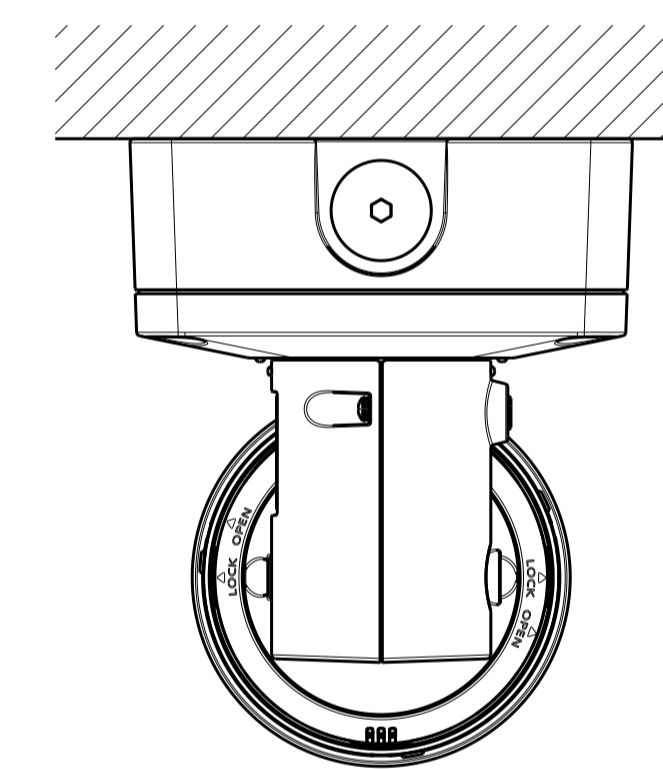
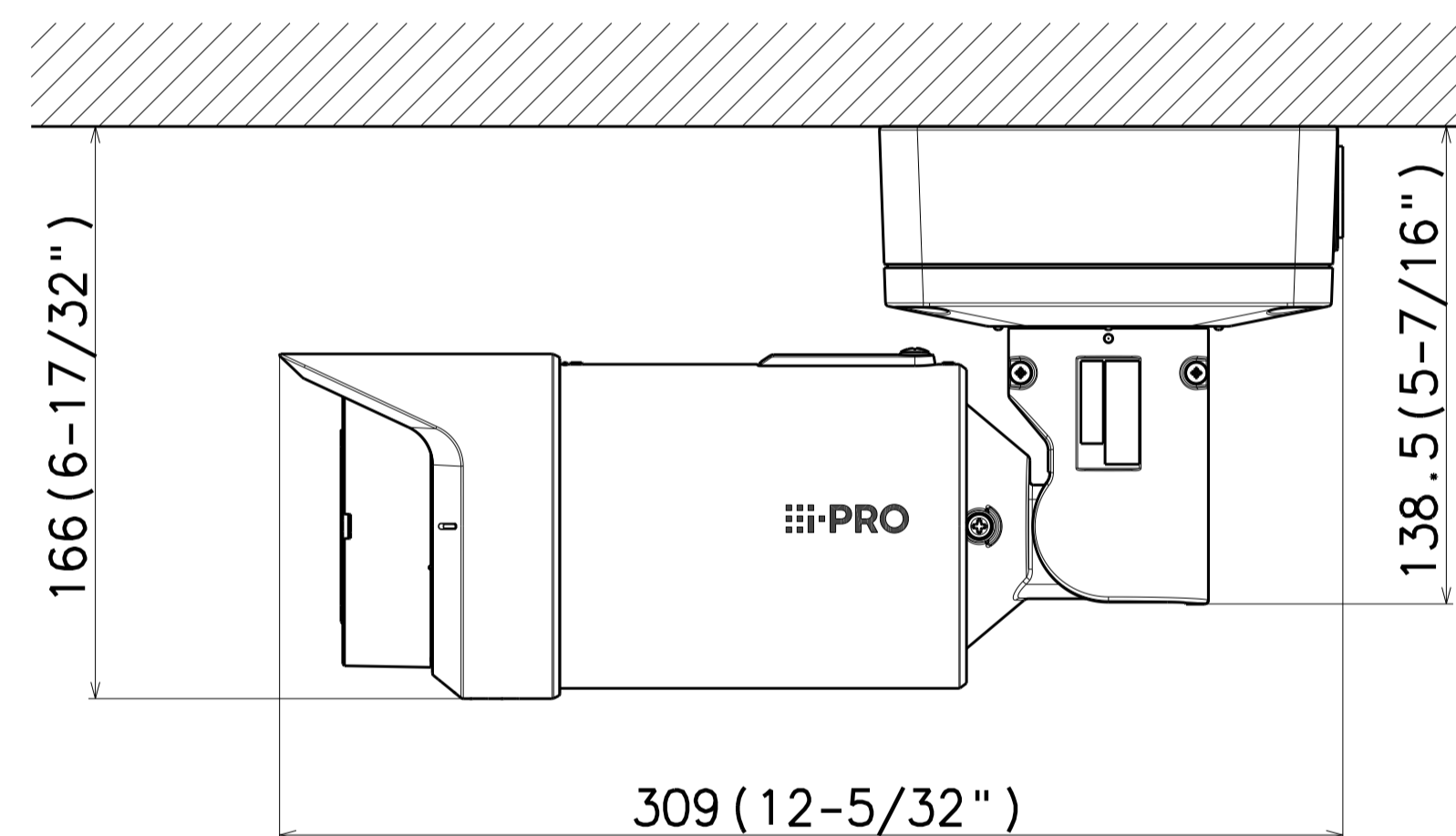
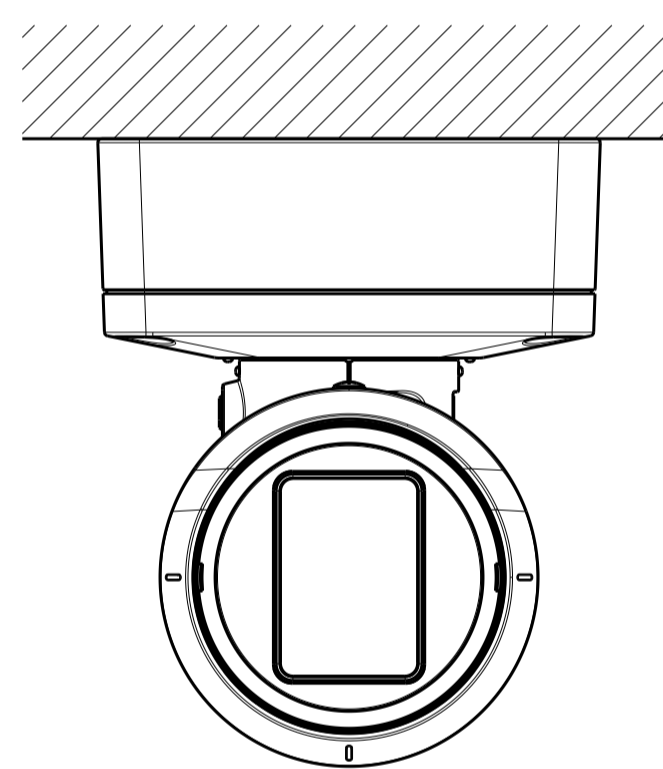
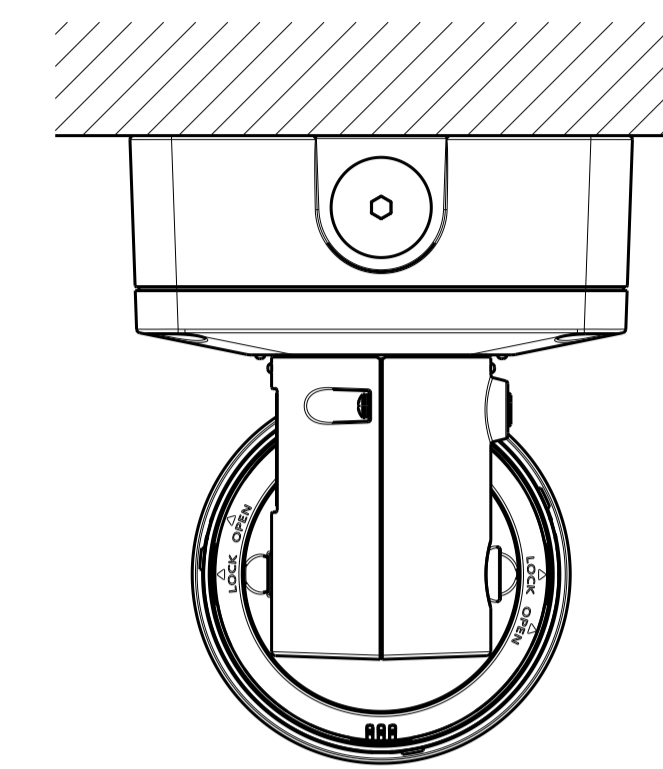




工事後の取付状態
Mounted state after construction



工事後の取付状態
Mounted state after construction



Model number
WV-X15300-V3L
WV-X15300-V3LN
WV-X15300-V3LNJ
WV-X15500-V3L
WV-X15500-V3LN
WV-X15500-V3LNJ
WV-X15600-V2L
WV-X15600-V2LN
WV-X15700-V2L
WV-X15700-V2LN
WV-X15700-V2LNJ

Unit:mm