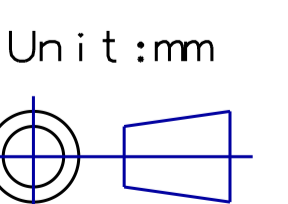
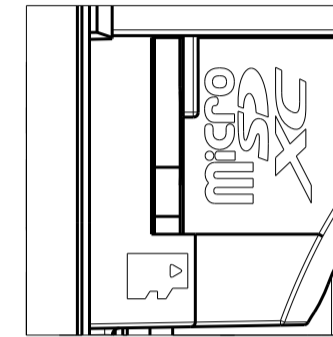


Model number
WV-U35301-F2L
WV-U35301-F2LJ
WV-U35301-F2LG
WV-U35401-F2L
WV-U35401-F2LJ
WV-U35401-F2LG

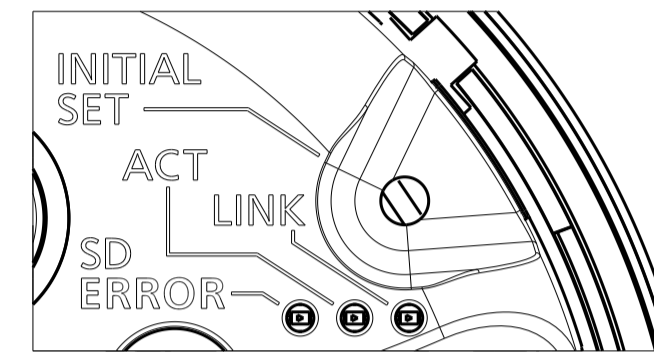
	投影面積/Projected area
正面図/Front-view	0.005 (m ²)
側面図/Side-view	0.0047 (m ²)

Mass : Approx. 410 g {0.91 lbs}

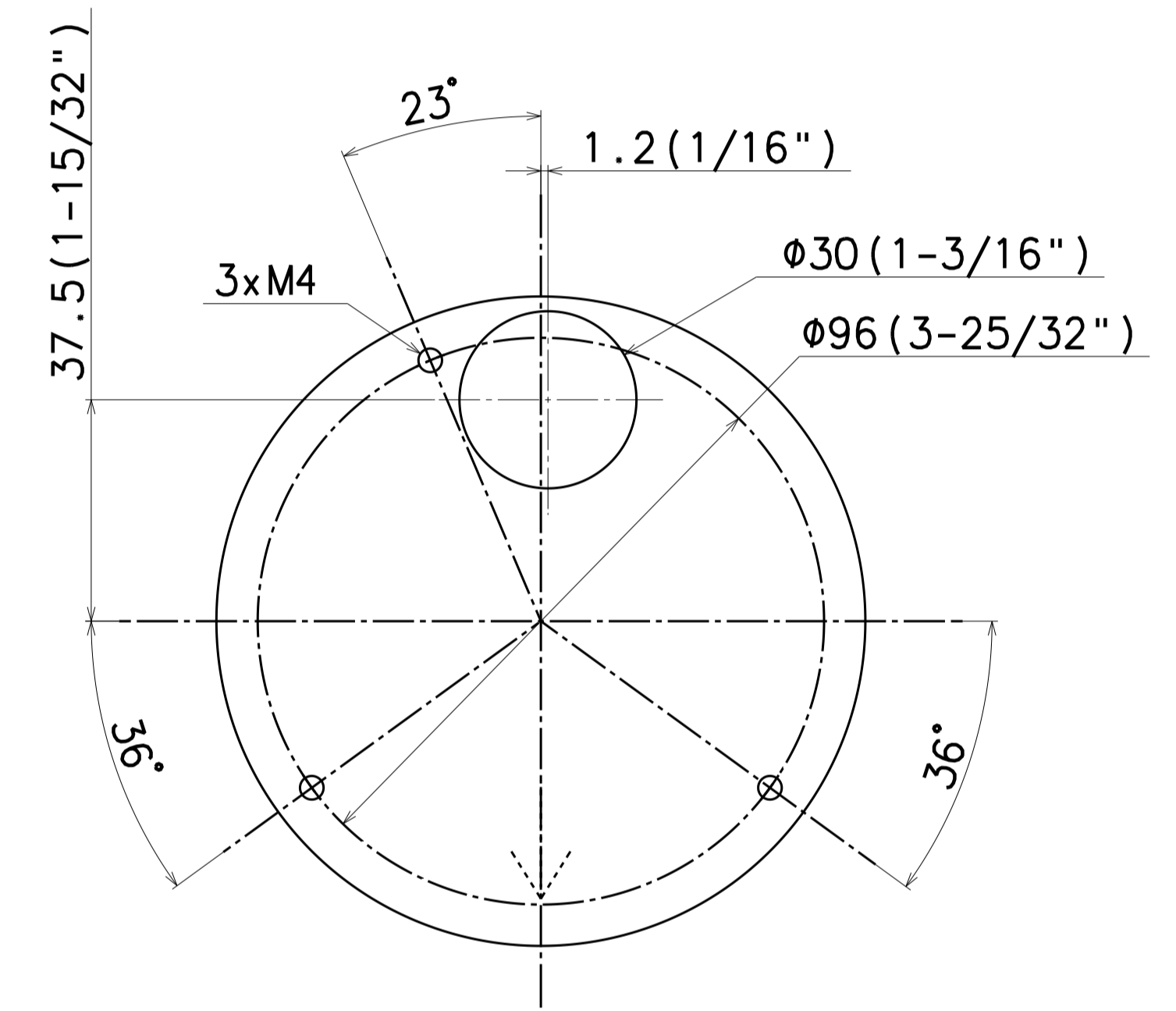
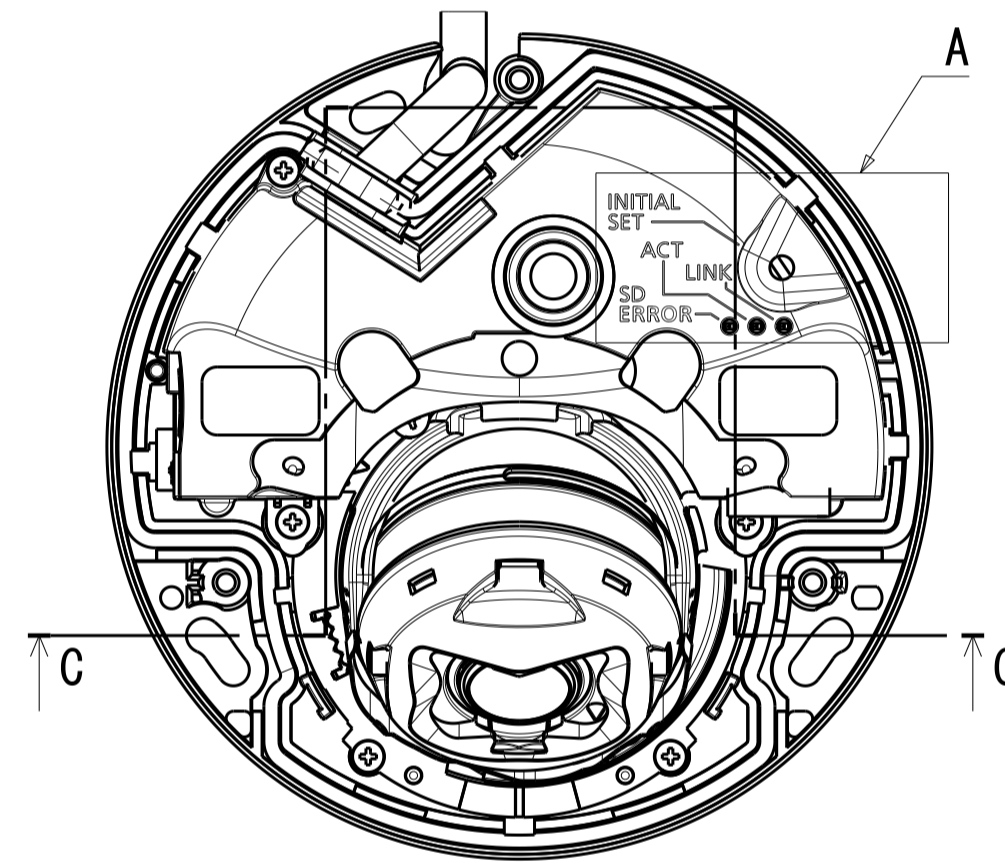
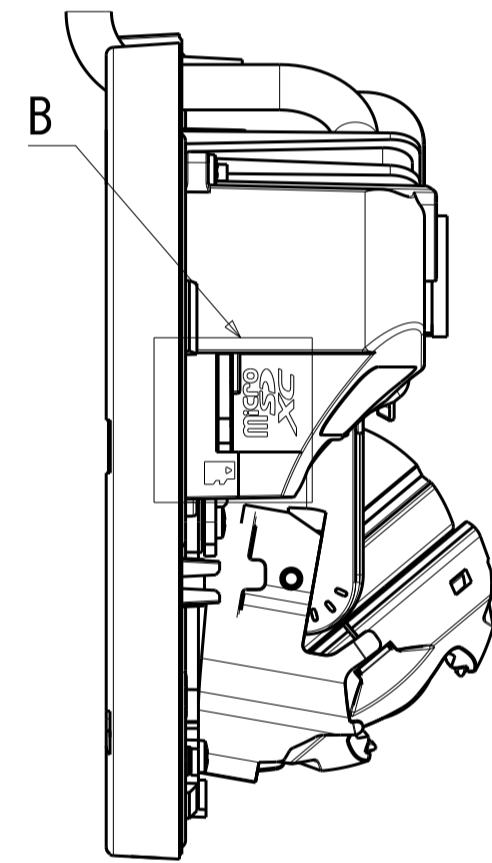




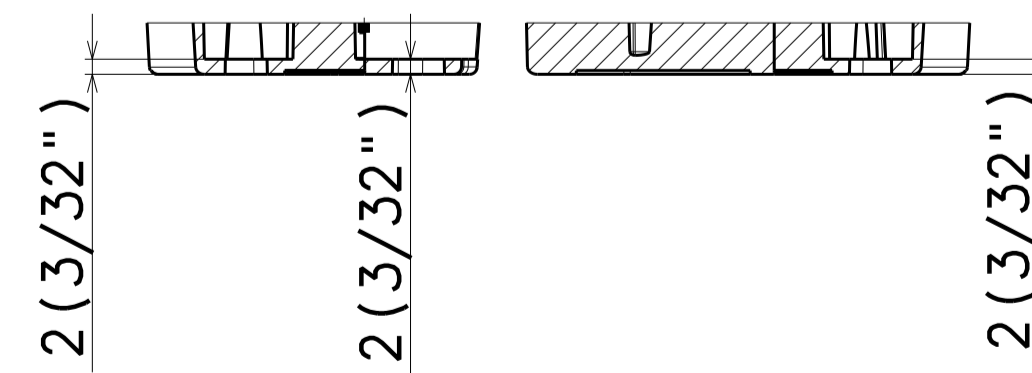
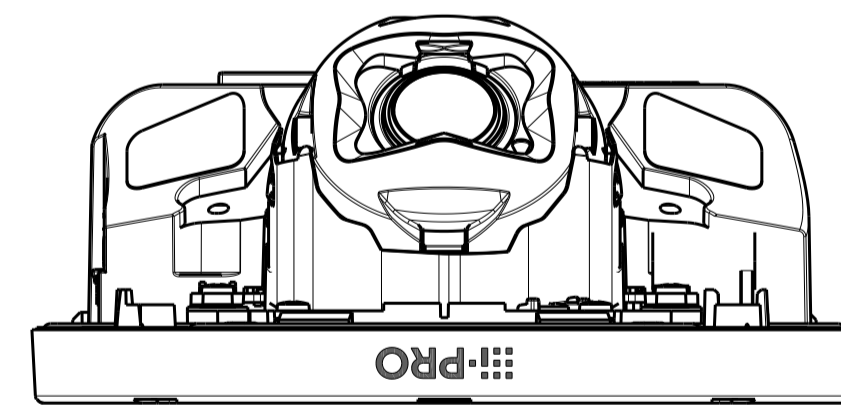
Detail B (2:1)



Detail A (2:1)

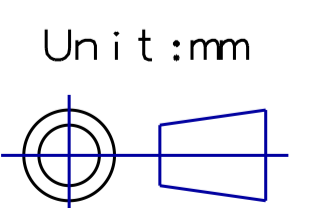


Template for mounting

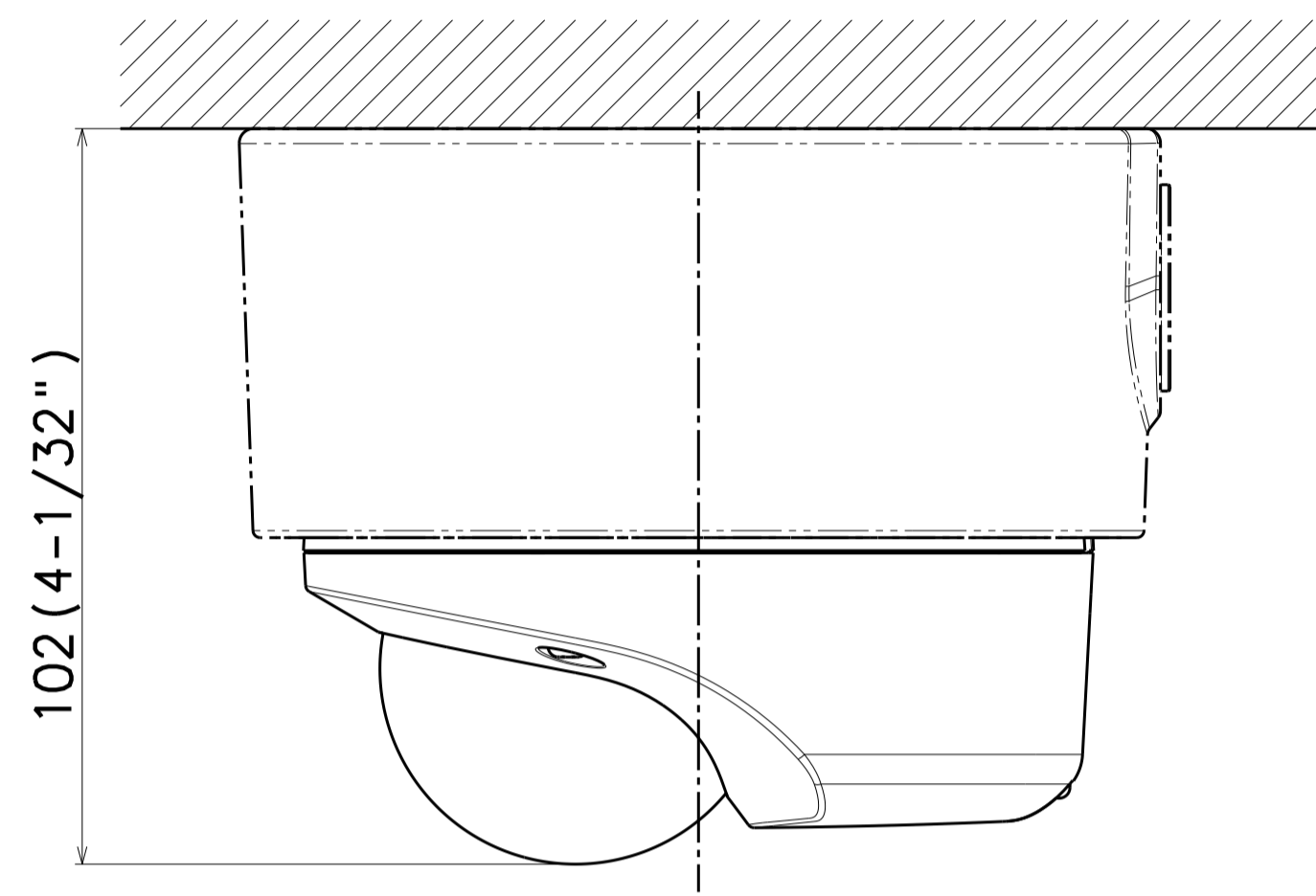


Sec C-C
Without Enclosure

Model number
WV-U35301-F2L
WV-U35301-F2LJ
WV-U35301-F2LG
WV-U35401-F2L
WV-U35401-F2LJ
WV-U35401-F2LG

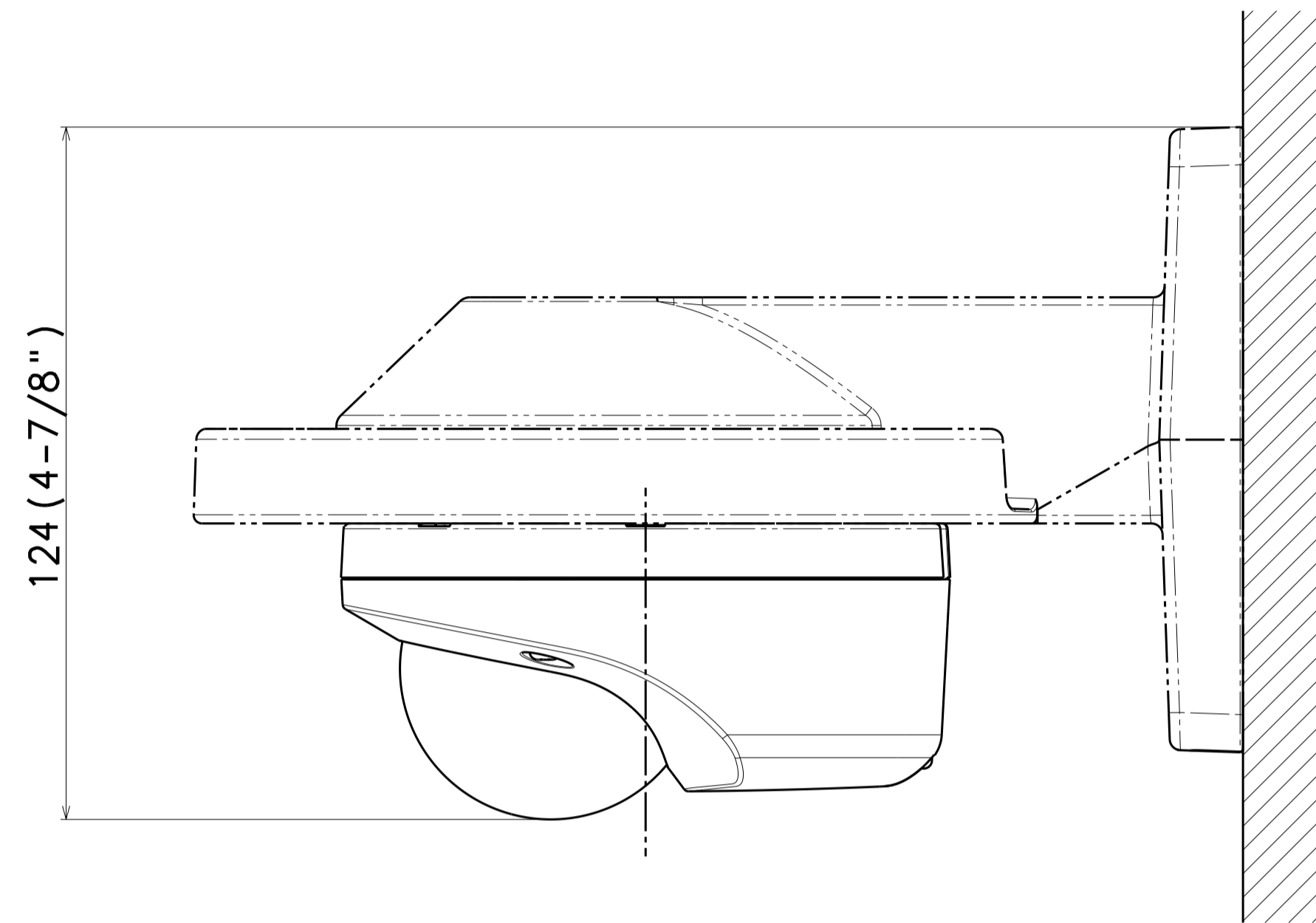


金具との組み合わせ例
Example of combination with bracket



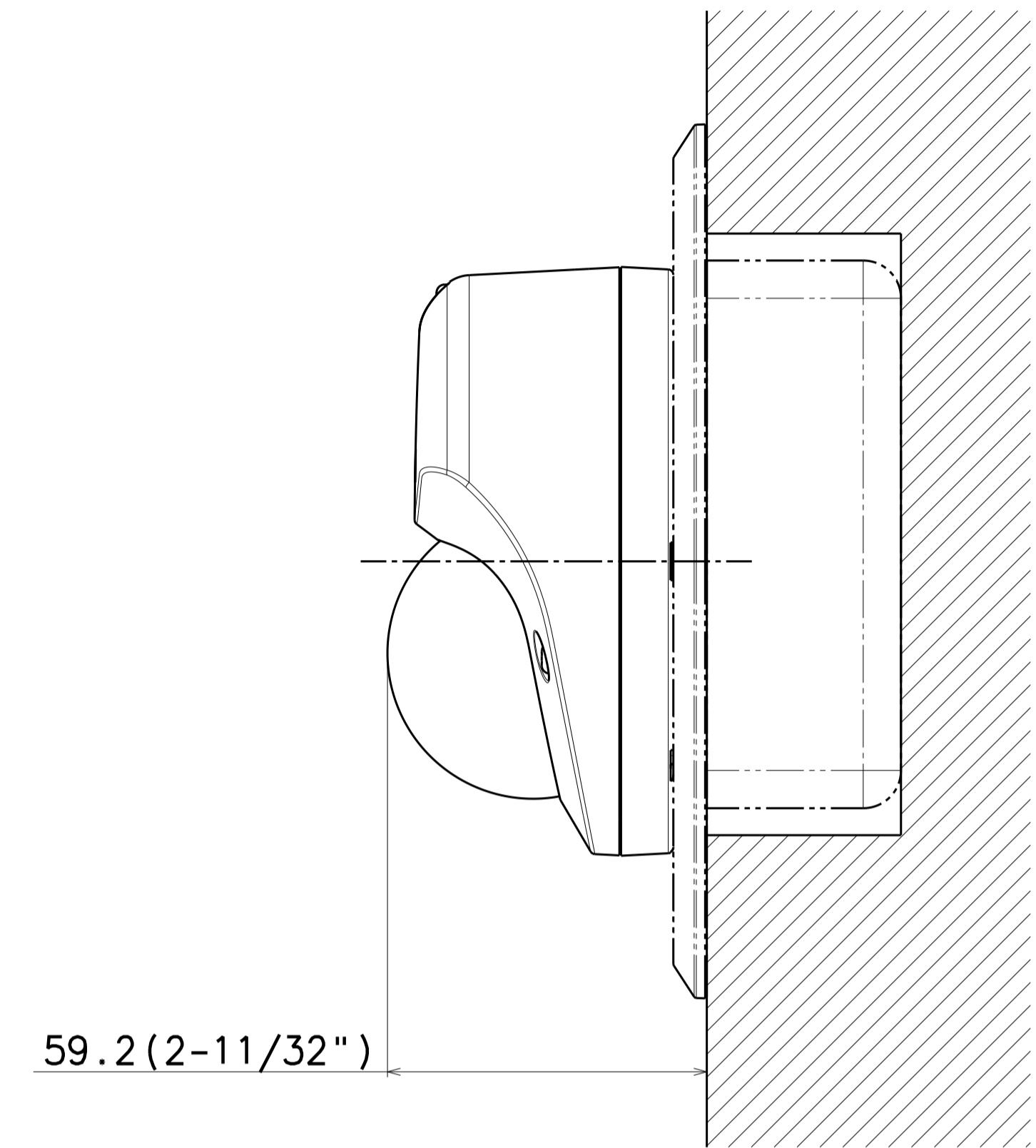
Attach to WV-QJB502A-*

	投影面積/Projected area
側面図/Side-view	0.011 (m ²)



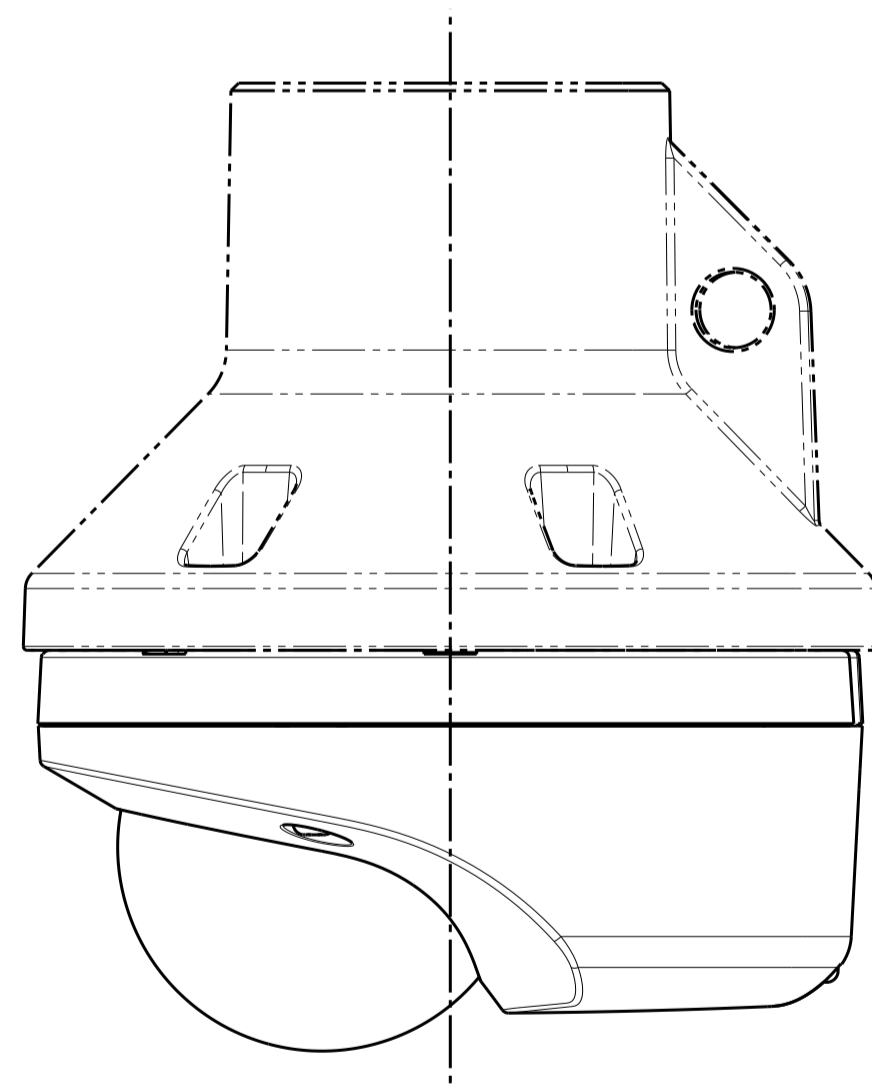
Attach to WV-QWL500-**

	投影面積/Projected area
側面図/Side-view	0.0127 (m ²)



Attach to WV-QAT502-* & 2-Gang Box

	投影面積/Projected area
側面図/Side-view	0.006 (m ²)

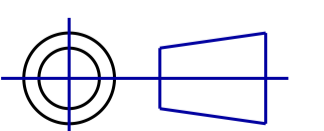


Attach to WV-QCL101-*

(屋内限定使用)
(Indoor use only)

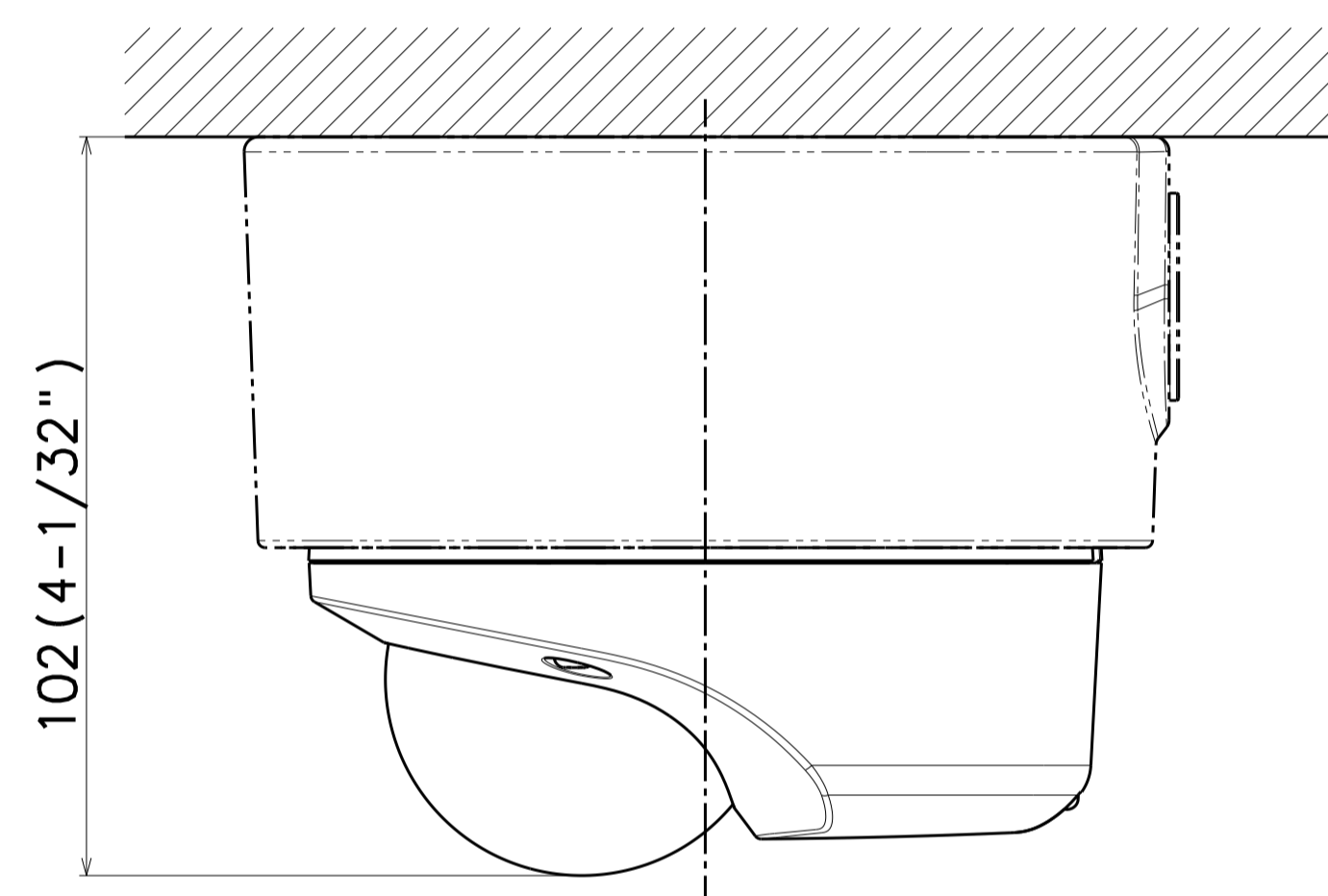
Model number
WV-U35301-F2L
WV-U35301-F2LG
WV-U35401-F2L
WV-U35401-F2LG

Unit:mm



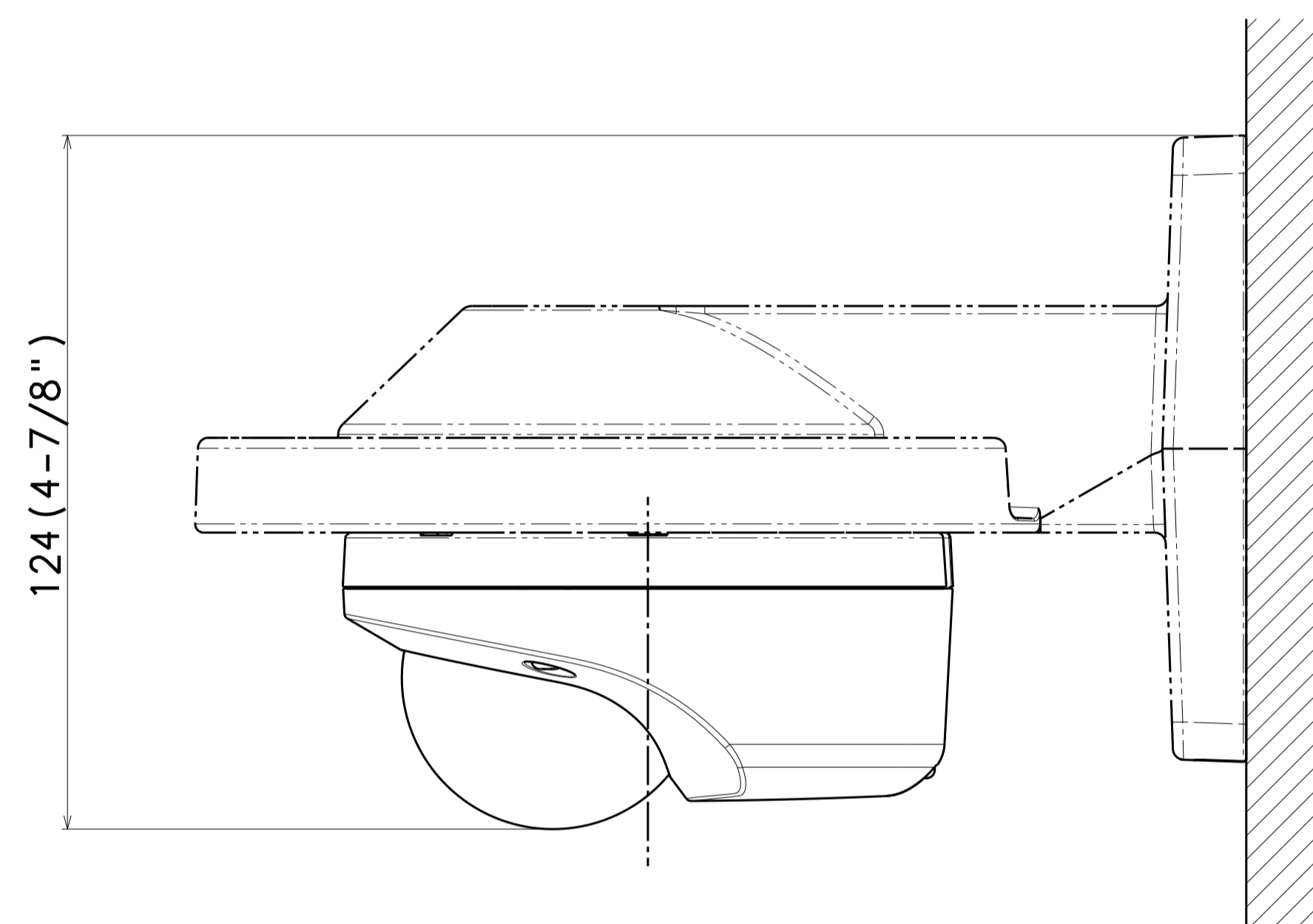
金具との組み合わせ例
Example of combination with bracket

国内向け
Domestic



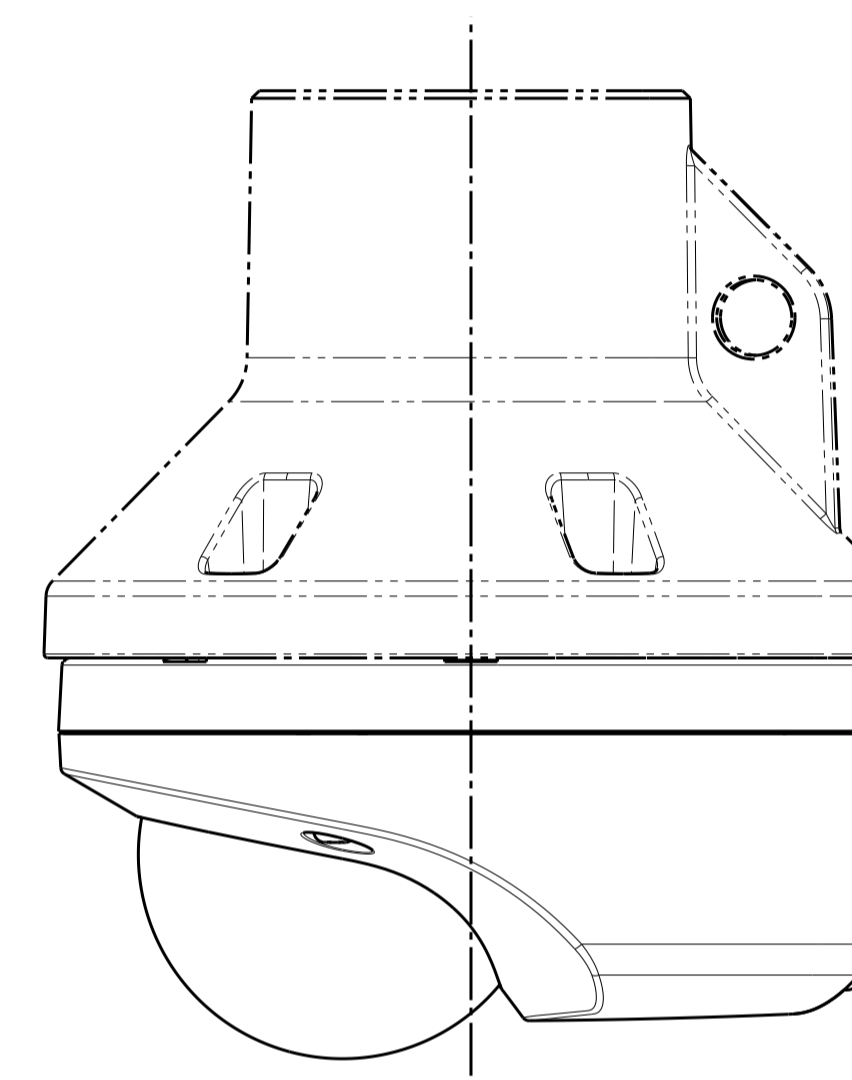
Attach to WV-QJB502A-*

	投影面積/Projected area
側面図/Side-view	0.011 (m ²)



Attach to WV-QWL500-**

	投影面積/Projected area
側面図/Side-view	0.0127 (m ²)



Attach to WV-QCL100-*

(屋内限定使用)
(Indoor use only)

Model number
WV-U35301-F2LJ
WV-U35401-F2LJ

Unit:mm