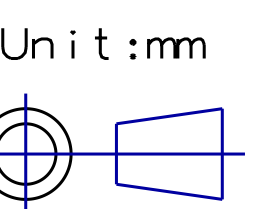


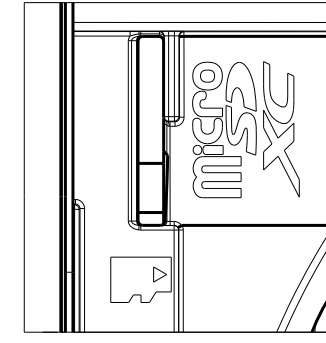
Model number	
WV-S35302-F2L	
WV-S35302-F2LJ	
WV-S35302-F2LG	
WV-S35302-F2L1	
WV-S35302-F2L1J	
WV-S35402-F2L	
WV-S35402-F2LJ	
WV-S35402-F2LG	
WV-S35402-F2L1	
WV-S35402-F2L1J	

	投影面積/Projected area
正面図/Front-view	0.005 (m <sup>2</sup> )
側面図/Side-view	0.005 (m <sup>2</sup> )

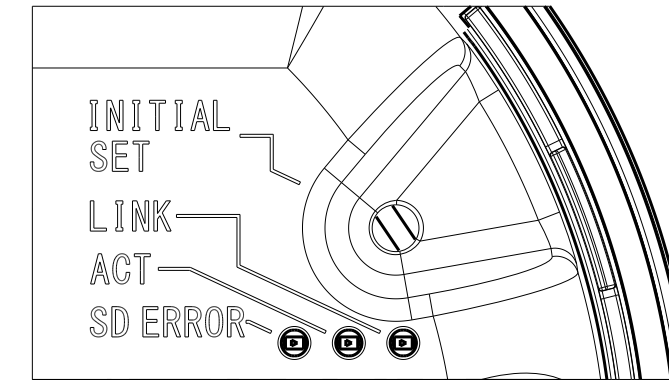
Mass : Approx. 550 g {1.21 lbs}



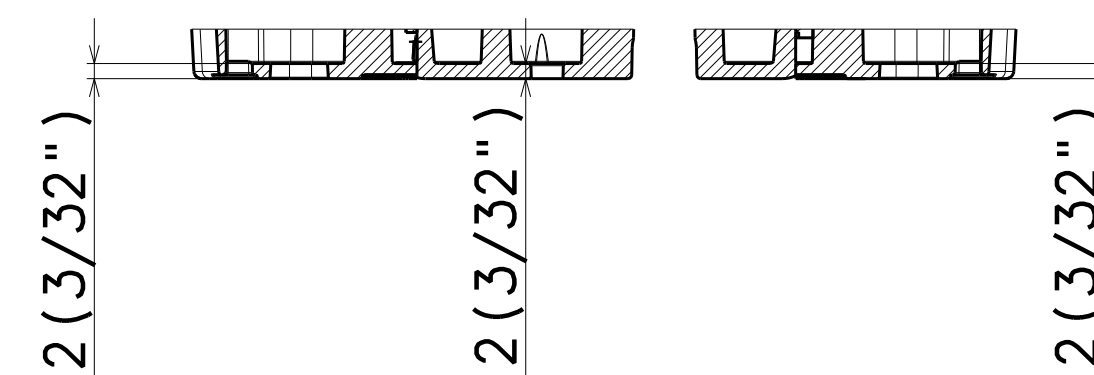
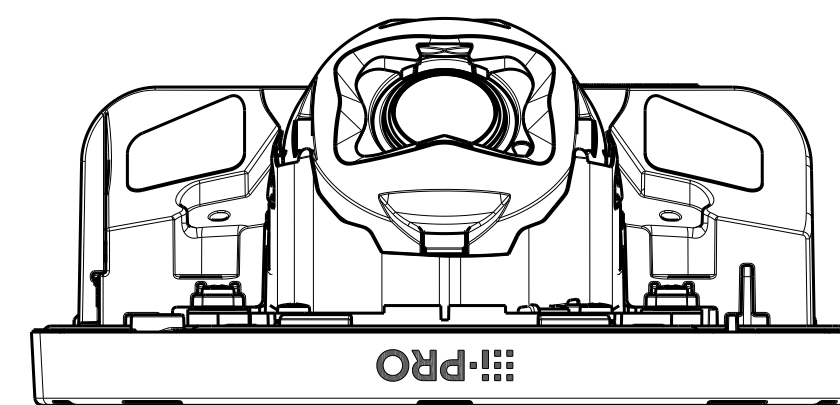
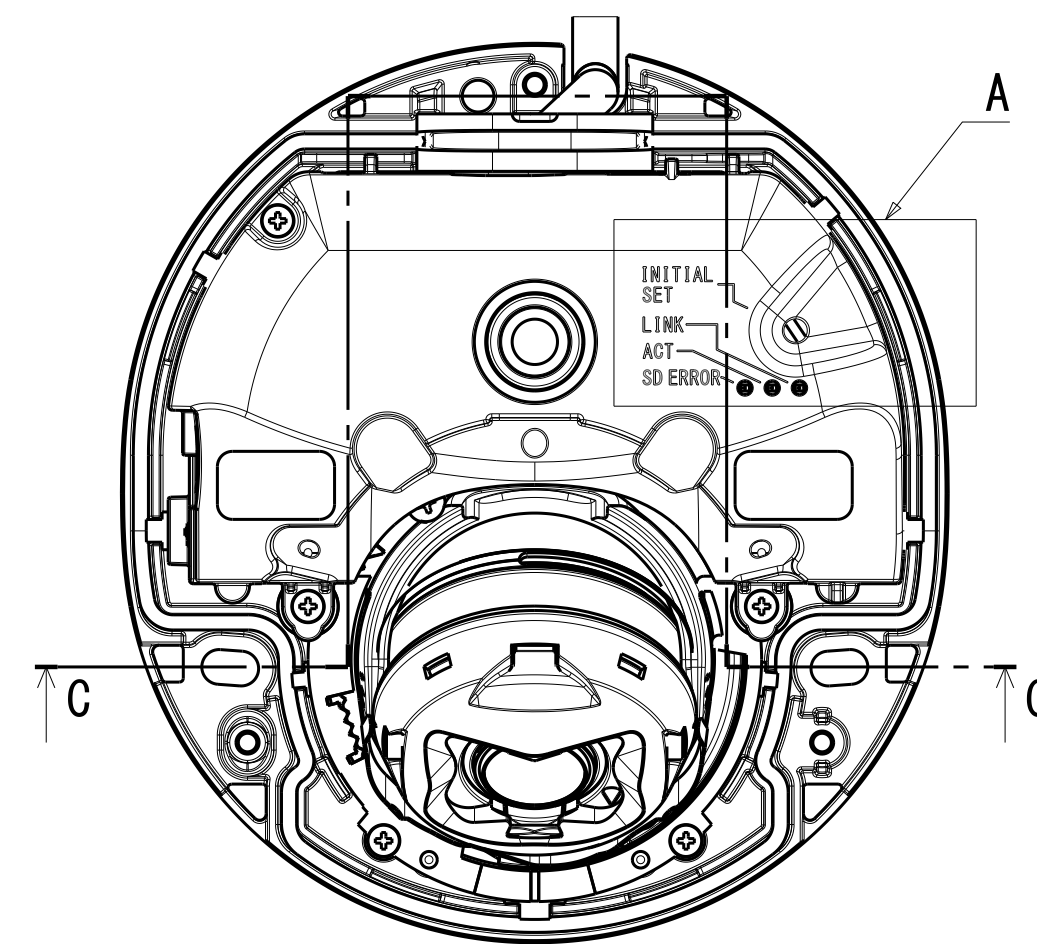
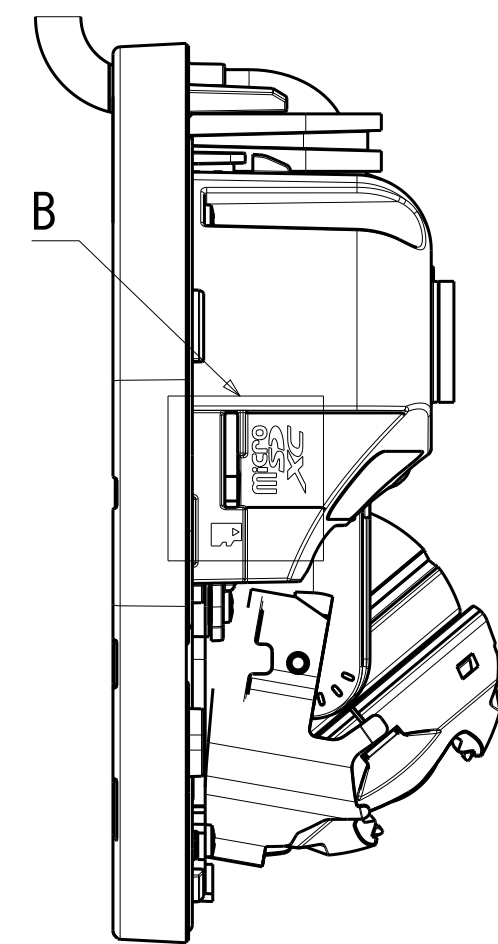




Detail B (2:1)

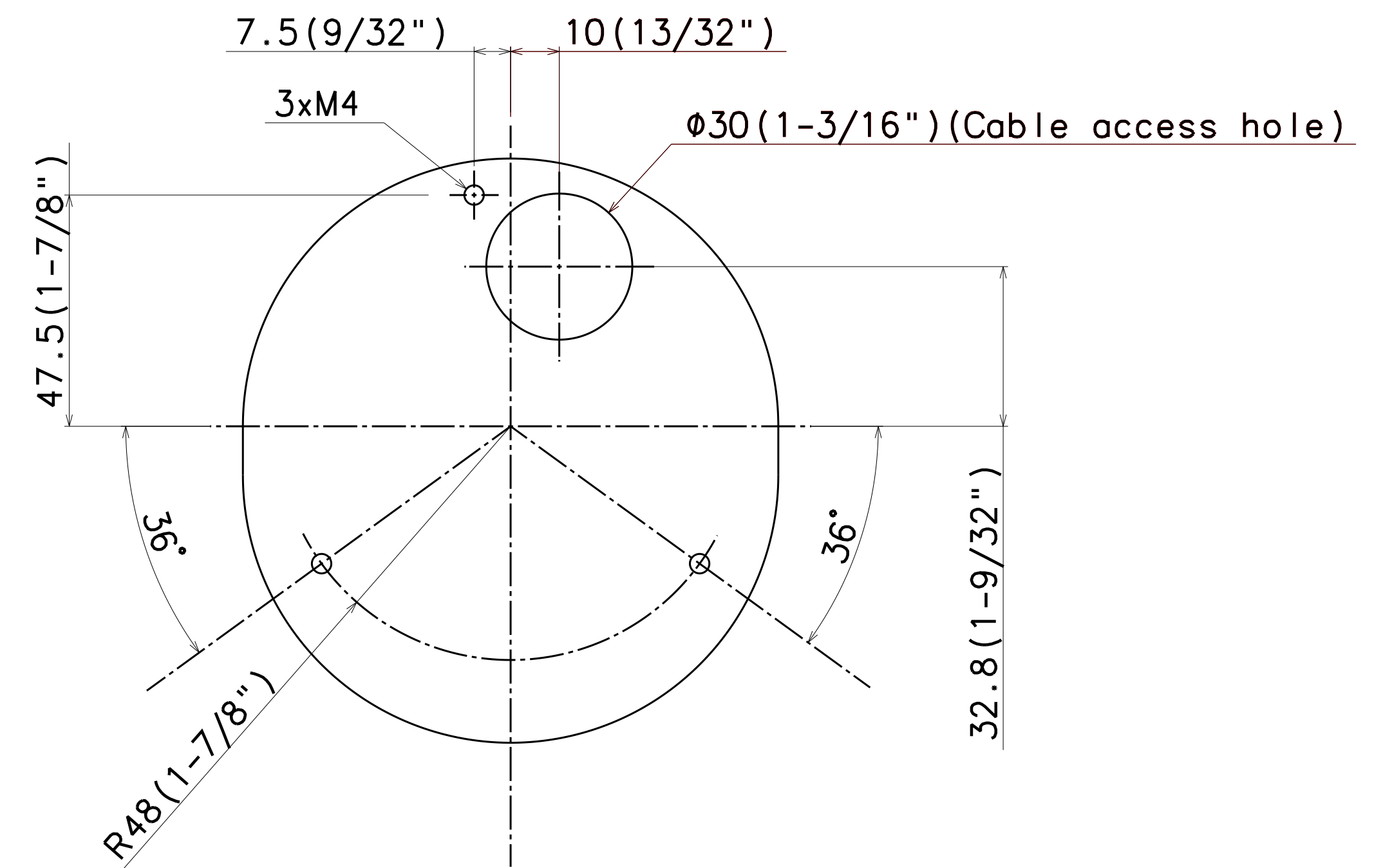


Detail A (2:1)



Sec C-C

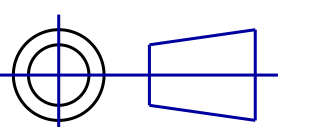
Without Enclosure



Template for mounting

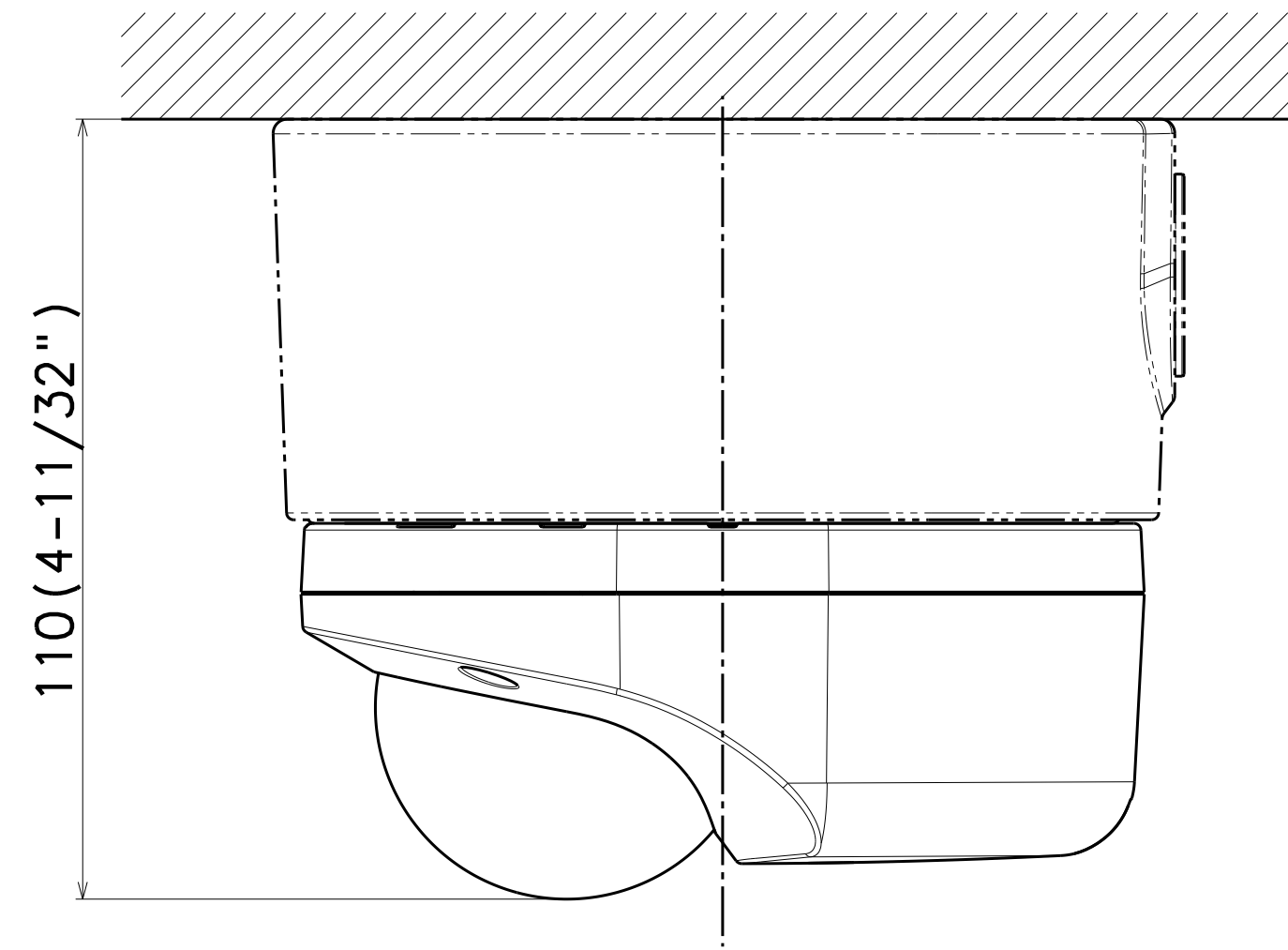
Model number
WV-S35302-F2L
WV-S35302-F2LJ
WV-S35302-F2LG
WV-S35302-F2L1
WV-S35302-F2L1J
WV-X35302-F2LM
WV-X35302-F2LMJ
WV-X35302-F2L
WV-S35402-F2L
WV-S35402-F2LJ
WV-S35402-F2LG
WV-S35402-F2L1
WV-S35402-F2L1J
WV-X35402-F2LM
WV-X35402-F2LMJ
WV-X35402-F2L

Unit:mm



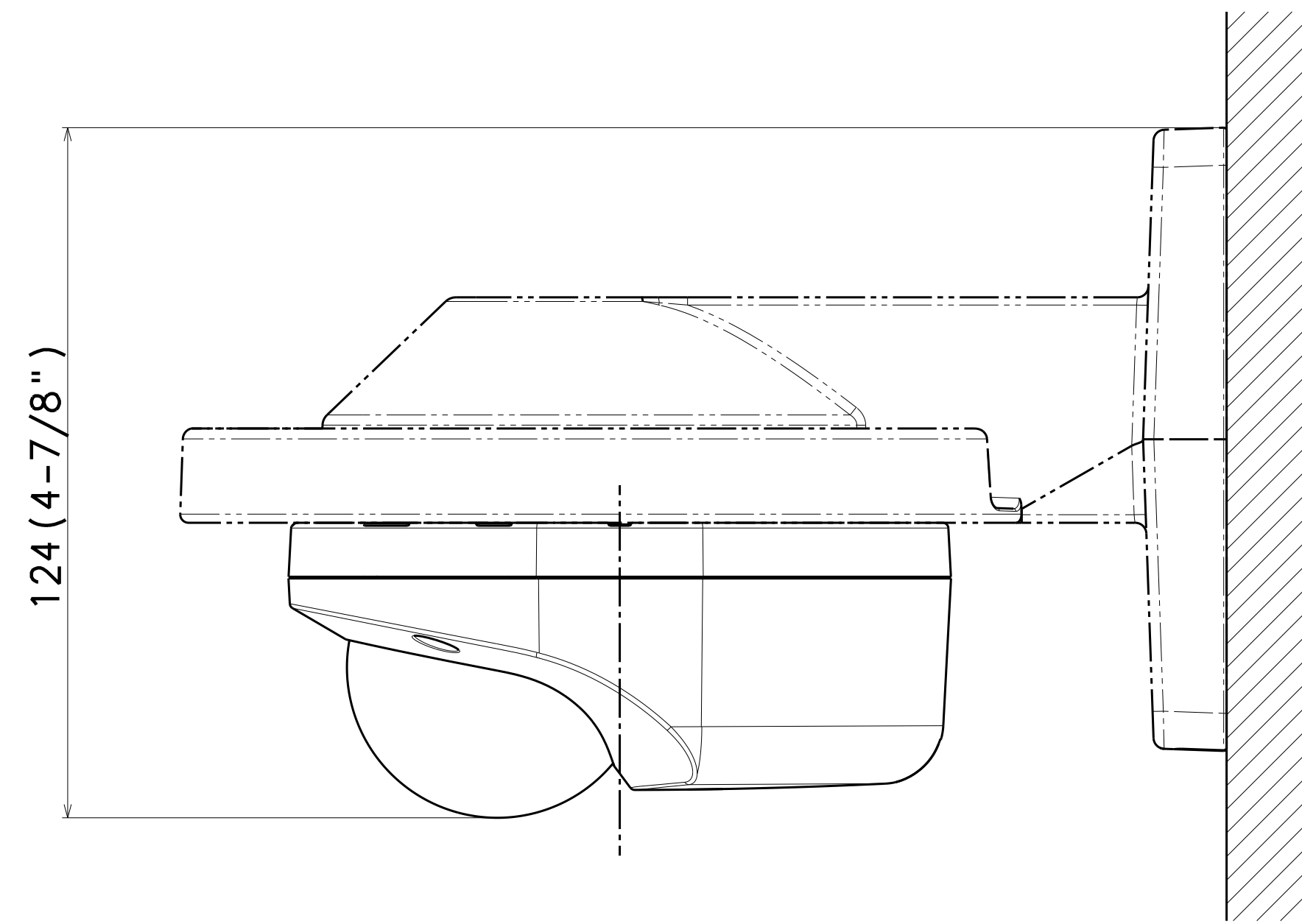


金具との組み合わせ例  
Example of combination with bracket



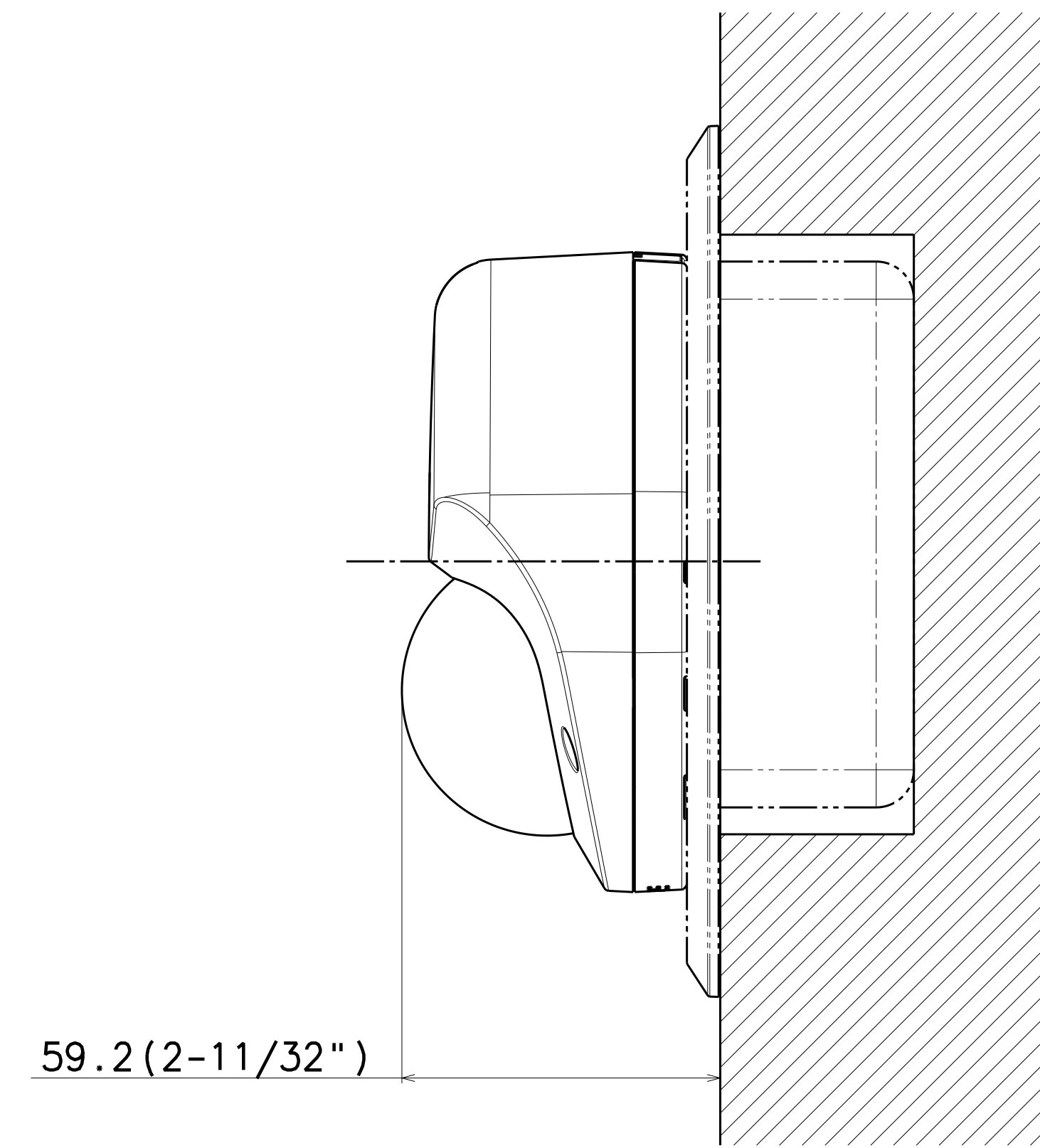
Attach to WV-QJB502A-\*

	投影面積/Projected area
側面図/Side-view	0.012 (m <sup>2</sup> )



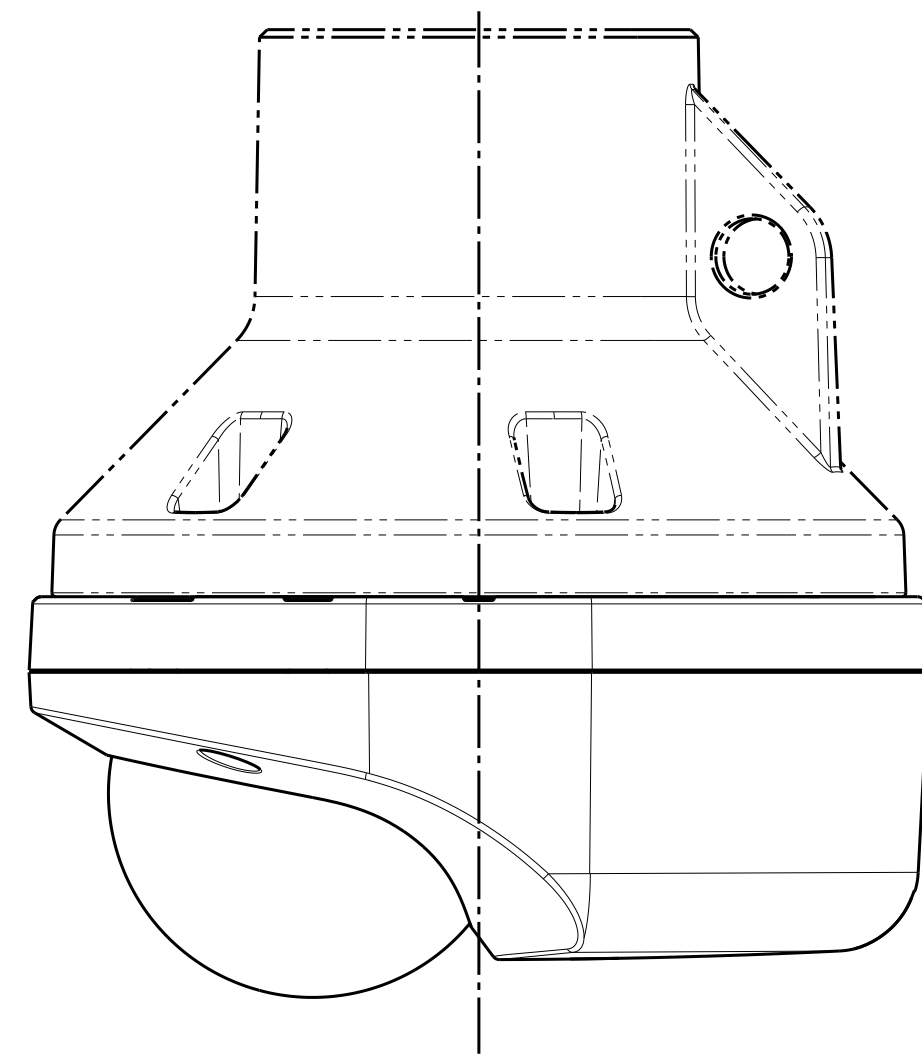
Attach to WV-QWL500-\*\*

	投影面積/Projected area
側面図/Side-view	0.013 (m <sup>2</sup> )



Attach to WV-QAT502-\* & 2-Gang Box

	投影面積/Projected area
側面図/Side-view	0.006 (m <sup>2</sup> )



Attach to WV-QCL101-\*

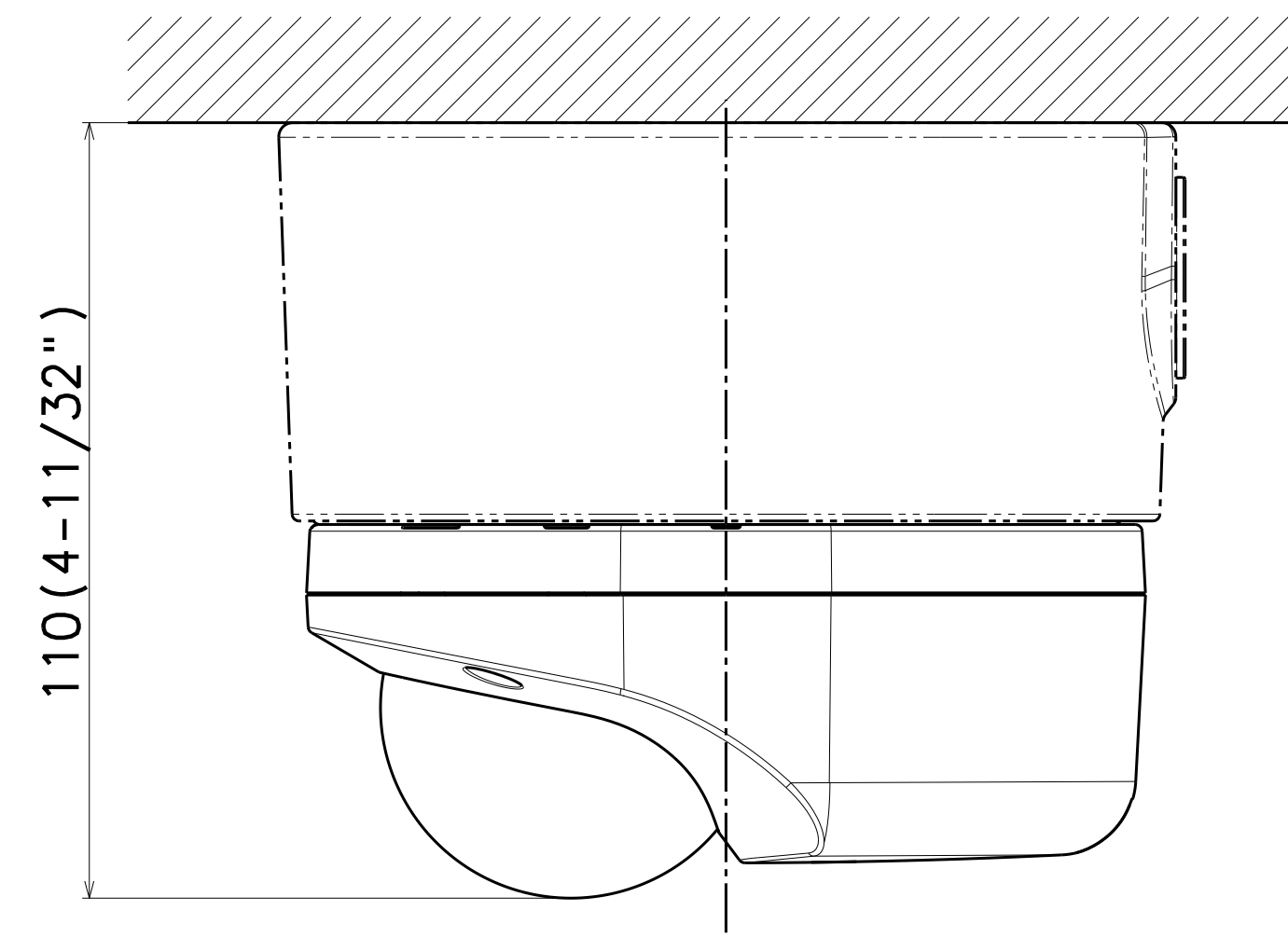
(屋内限定使用)  
(Indoor use only)

Model number
WV-S35302-F2L
WV-S35302-F2LG
WV-S35302-F2L1
WV-S35402-F2L
WV-S35402-F2LG
WV-S35402-F2L1

Unit:mm

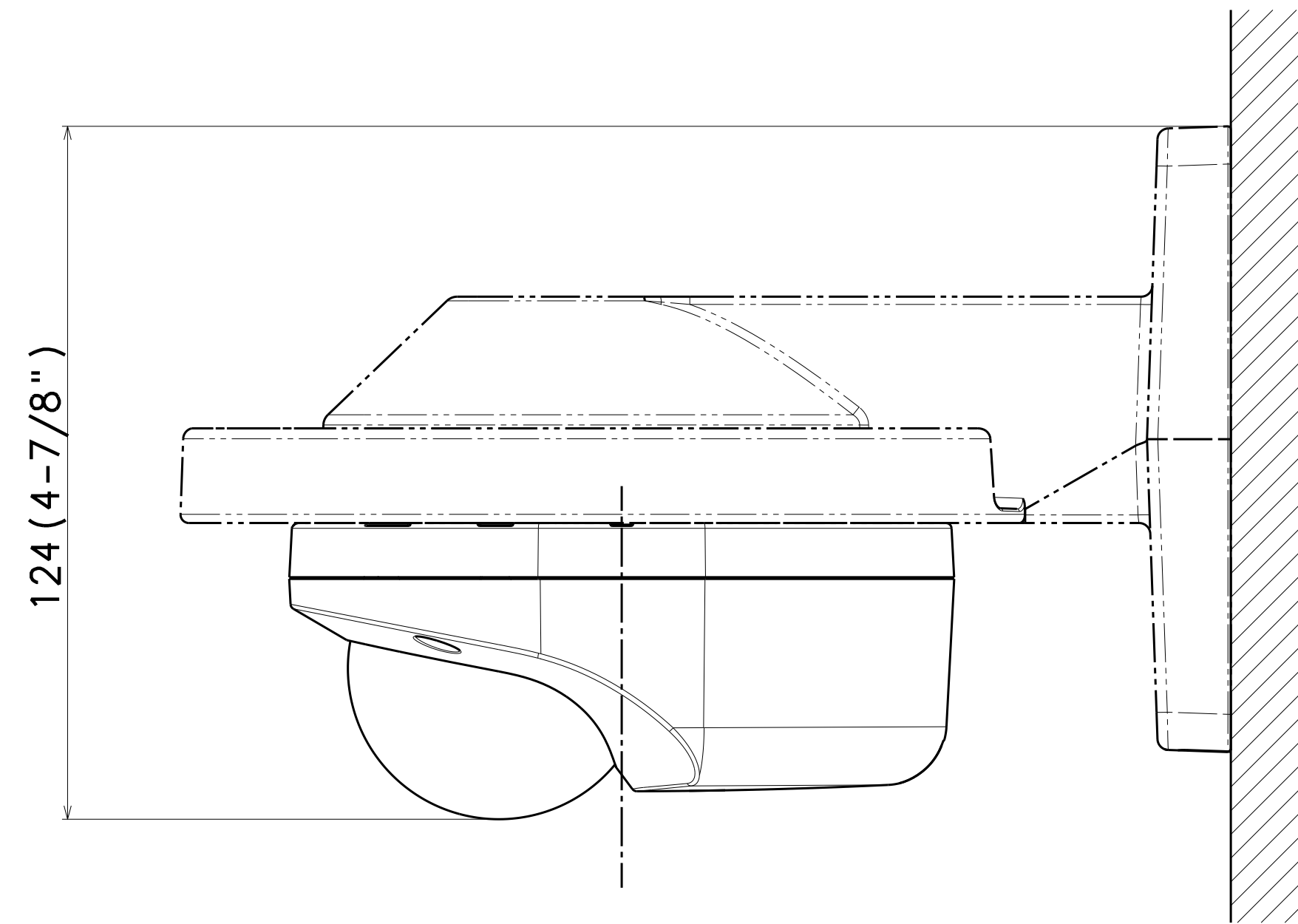
金具との組み合わせ例  
Example of combination with bracket

国内向け  
Domestic



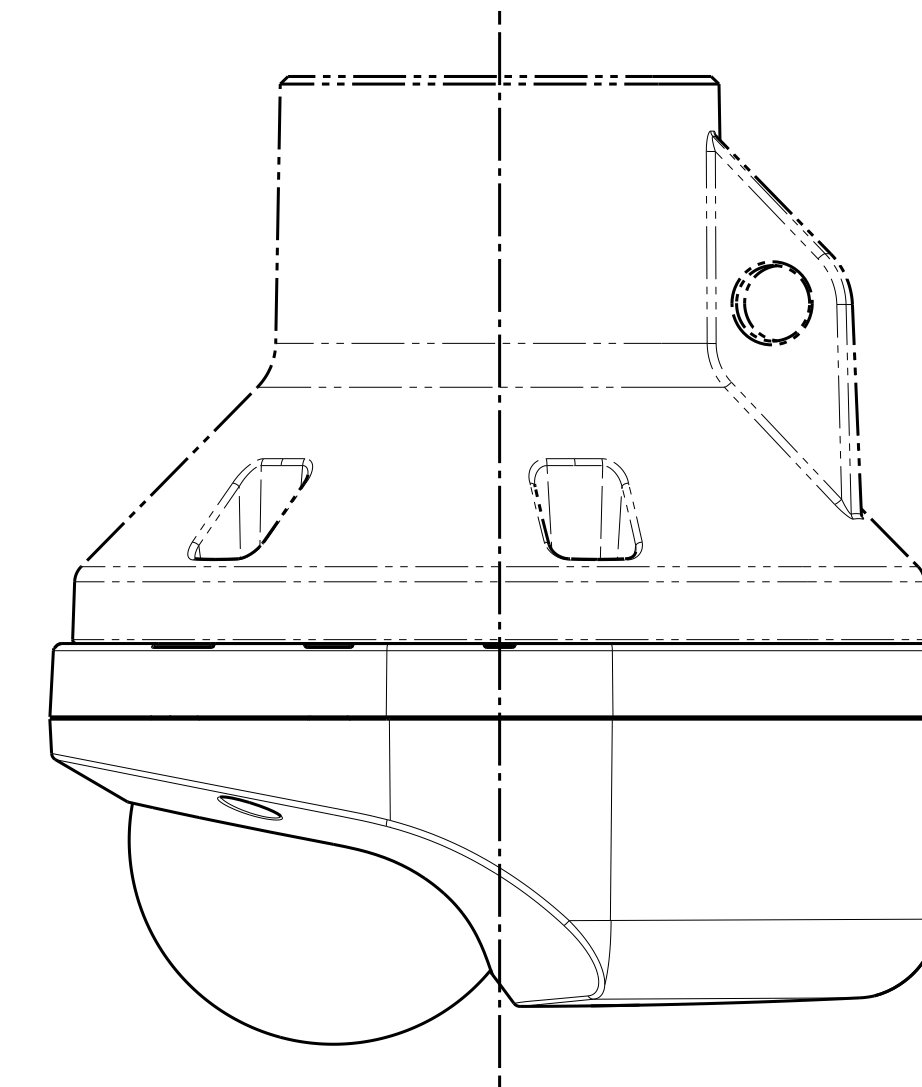
Attach to WV-QJB502A-\*

	投影面積/Projected area
側面図/Side-view	0.012 (m <sup>2</sup> )



Attach to WV-QWL500-\*\*

	投影面積/Projected area
側面図/Side-view	0.013 (m <sup>2</sup> )

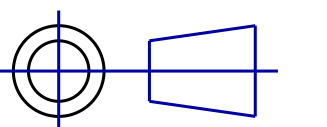


Attach to WV-QCL100-\*

(屋内限定使用)  
(Indoor use only)

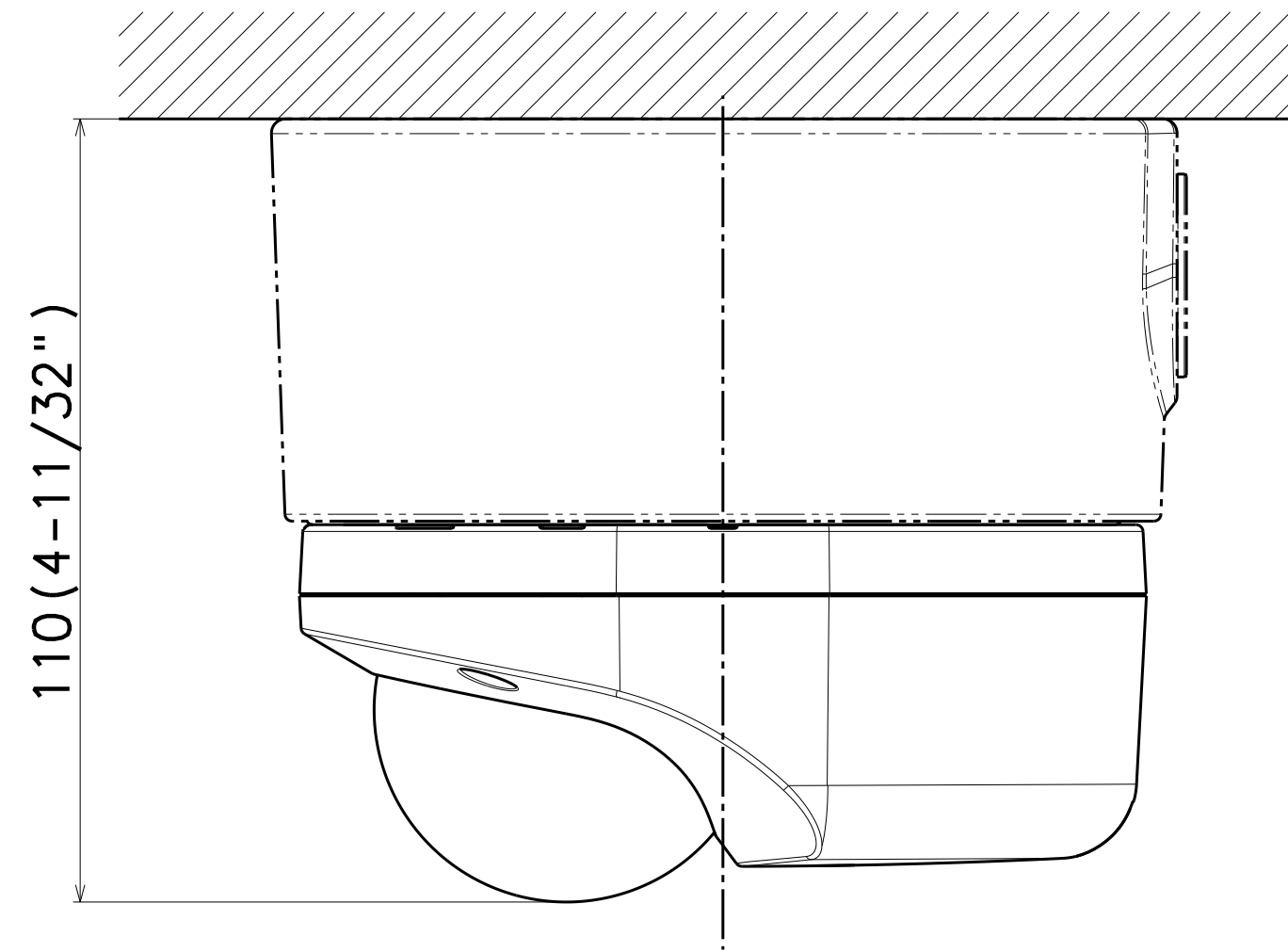
Model number
WV-S35302-F2LJ
WV-S35302-F2L1J
WV-S35402-F2LJ
WV-S35402-F2L1J

Unit:mm



金具との組み合わせ例  
Example of combination with bracket

車載モデル  
In-vehicle model



Attach to WV-QJB502A-W

	投影面積/Projected area
側面図/Side-view	0.012 (m <sup>2</sup> )

Model number
WV-X35302-F2LM
WV-X35302-F2LMJ
WV-X35302-F2L
WV-X35402-F2LM
WV-X35402-F2LMJ
WV-X35402-F2L

Unit:mm