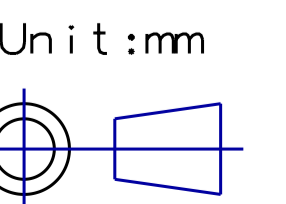


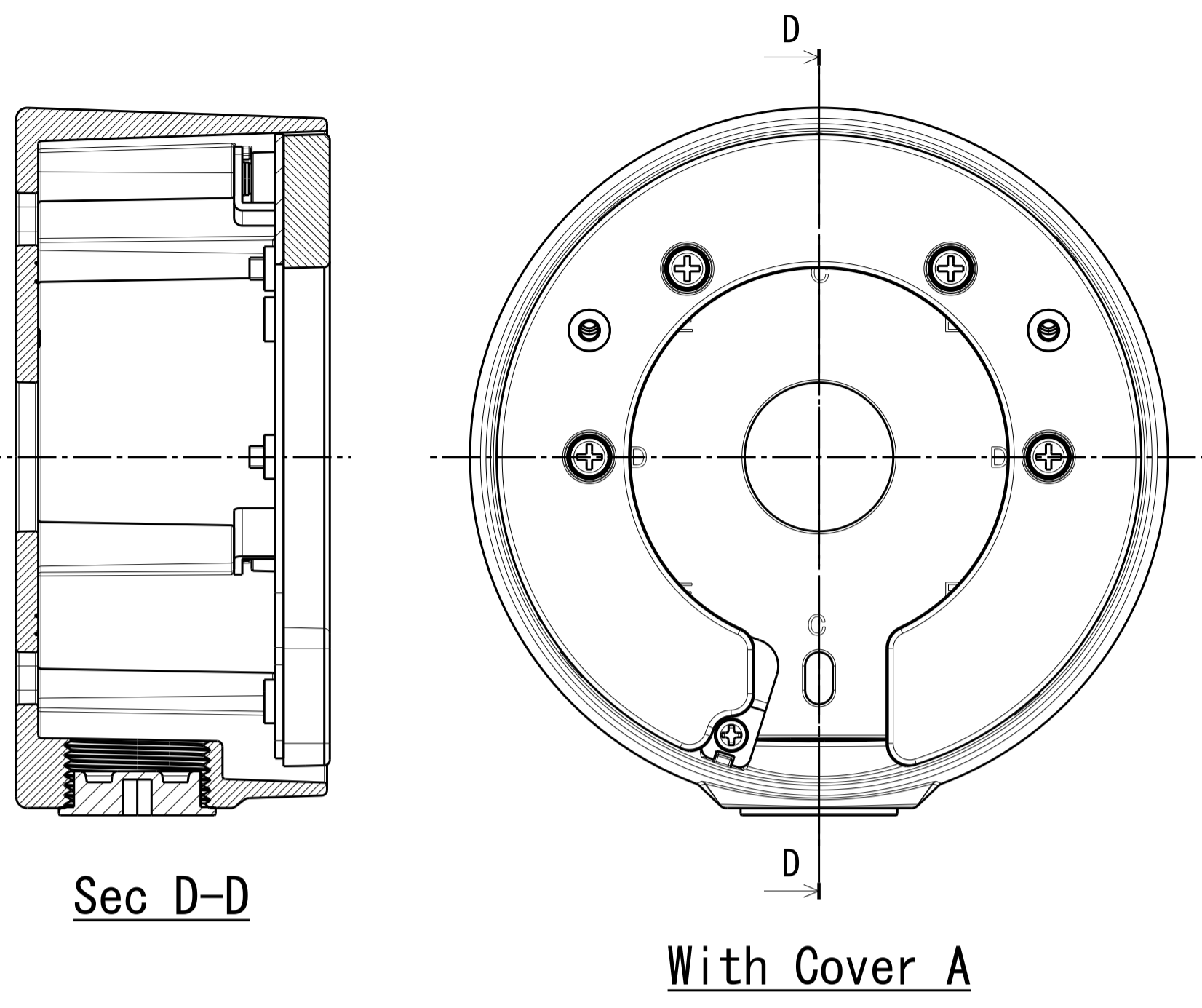
接続管用めねじ
 Cap for the female thread for the conduit
 JIS C 8305 (電線管ねじ) のCTG22、または
 JIS B 0202 (管用平行ねじ) のG3/4に対応しています。
 The female thread for conduit is compliant with
 ANSI NPSM (parallel pipe threads) 3/4 or
 ISO 228-1 (parallel pipe threads) G3/4.

	投影面積/Projected area
側面図/Side-view	0.007 (m ²)

Mass : Approx. 460 g [1.02 lbs] (Including cover)

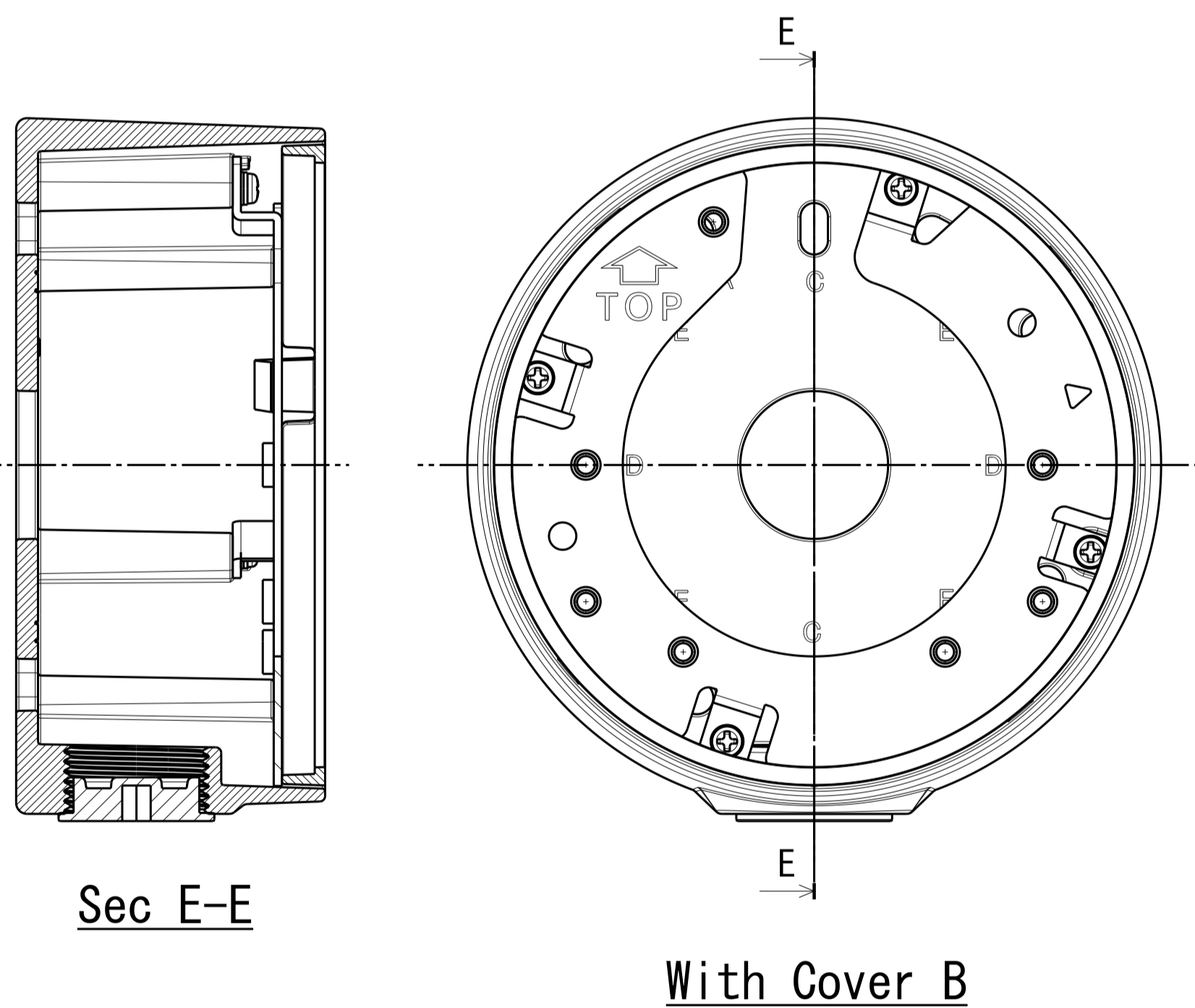
WV-QJB502-G
 WV-QJB502-W





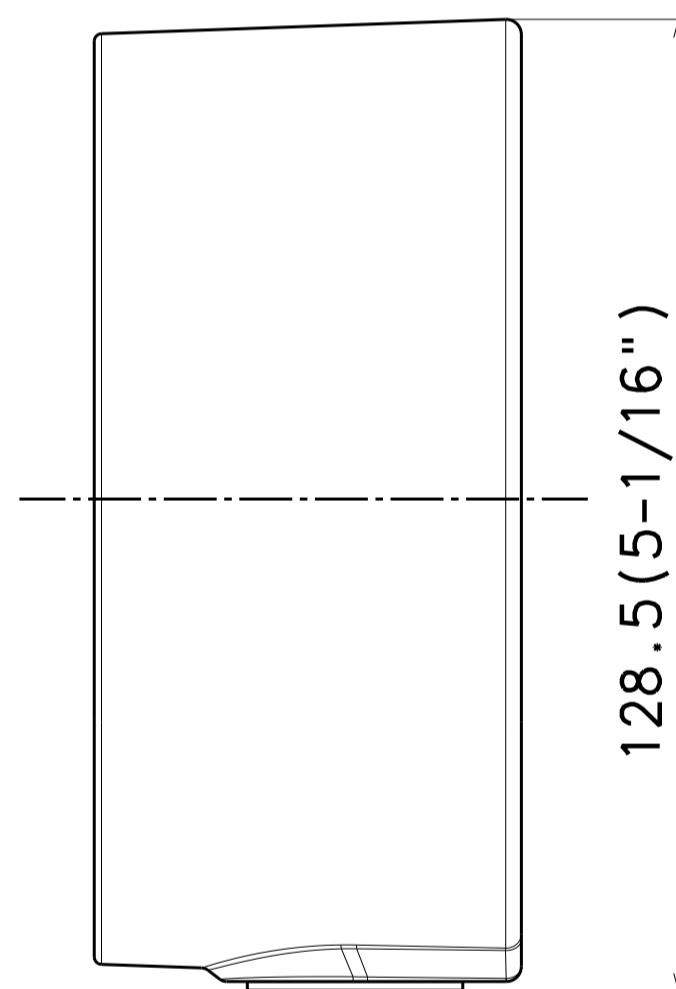
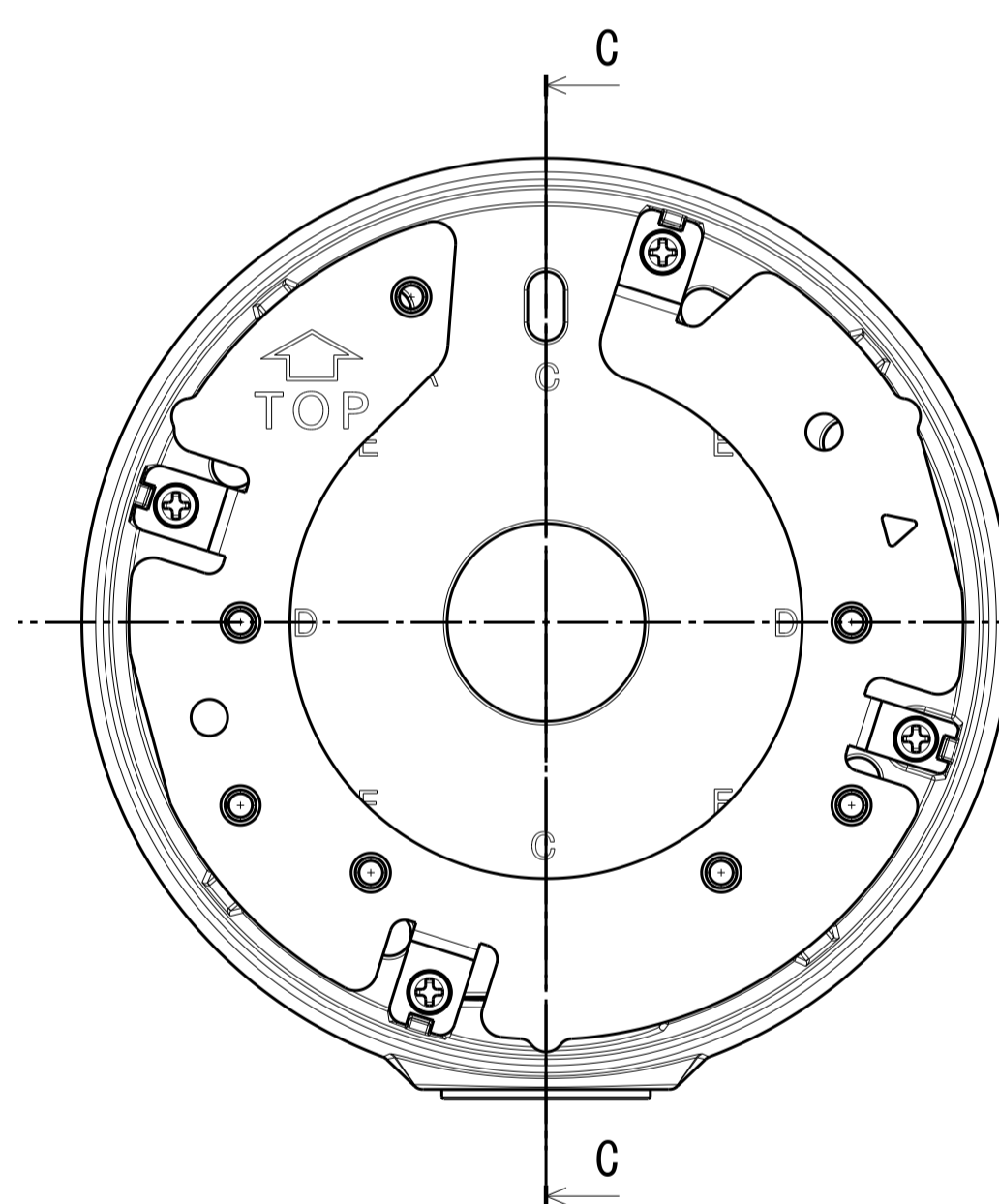
Sec D-D

With Cover A

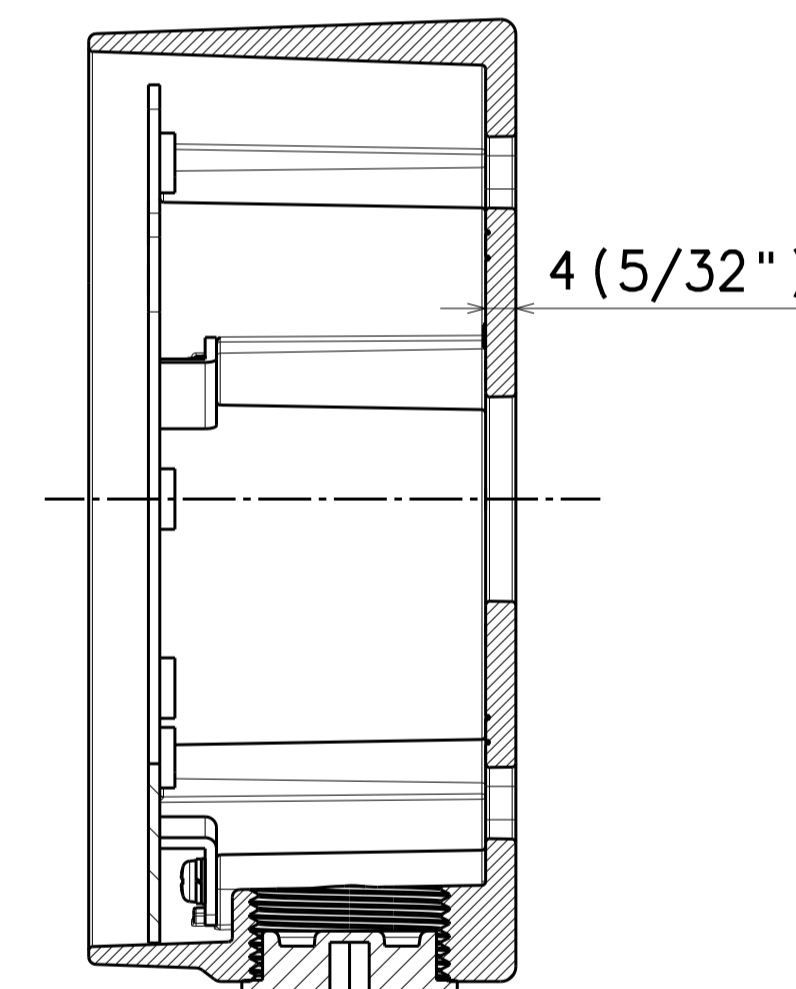


Sec E-E

With Cover B

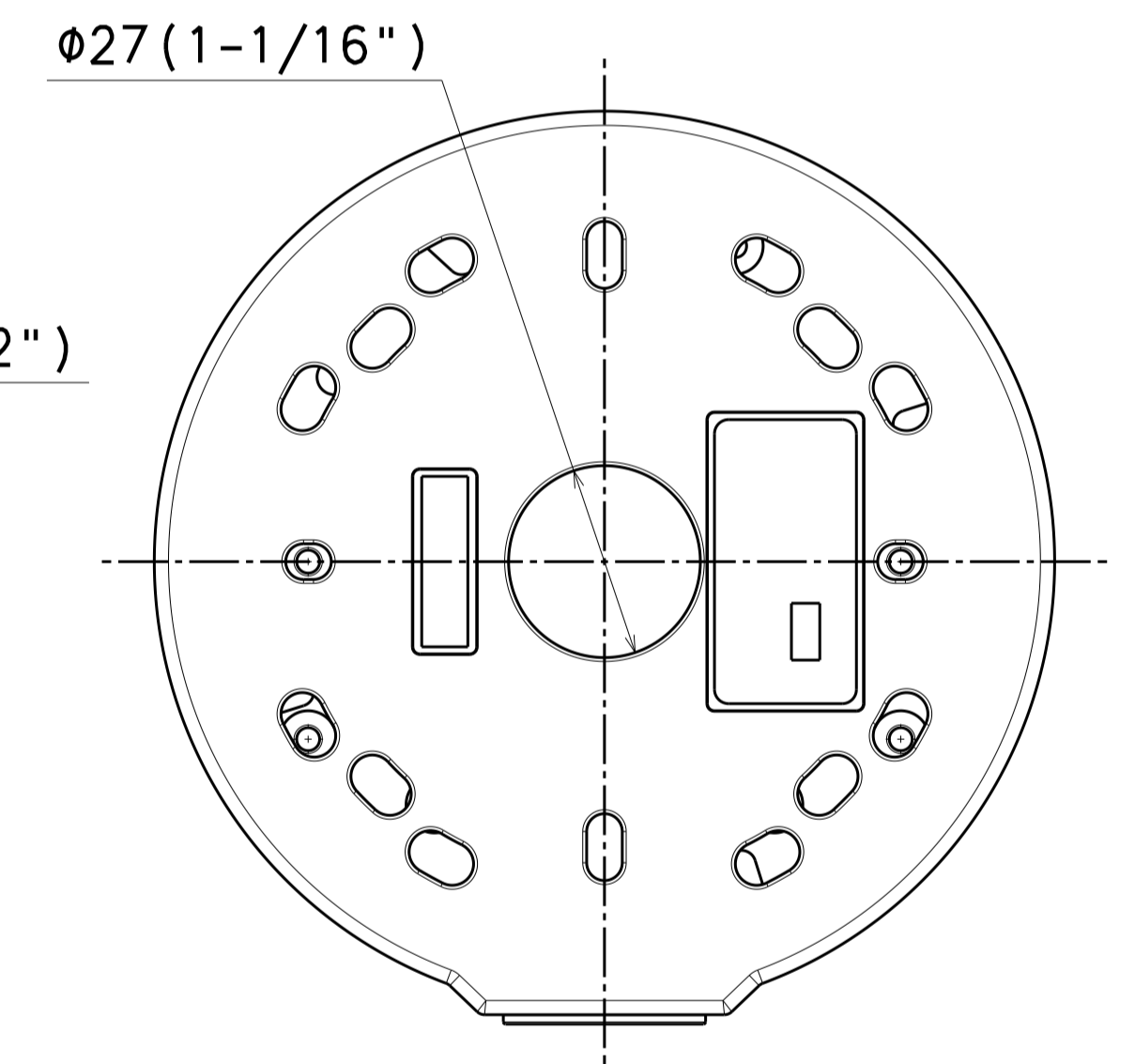


128.5 (5-1/16")

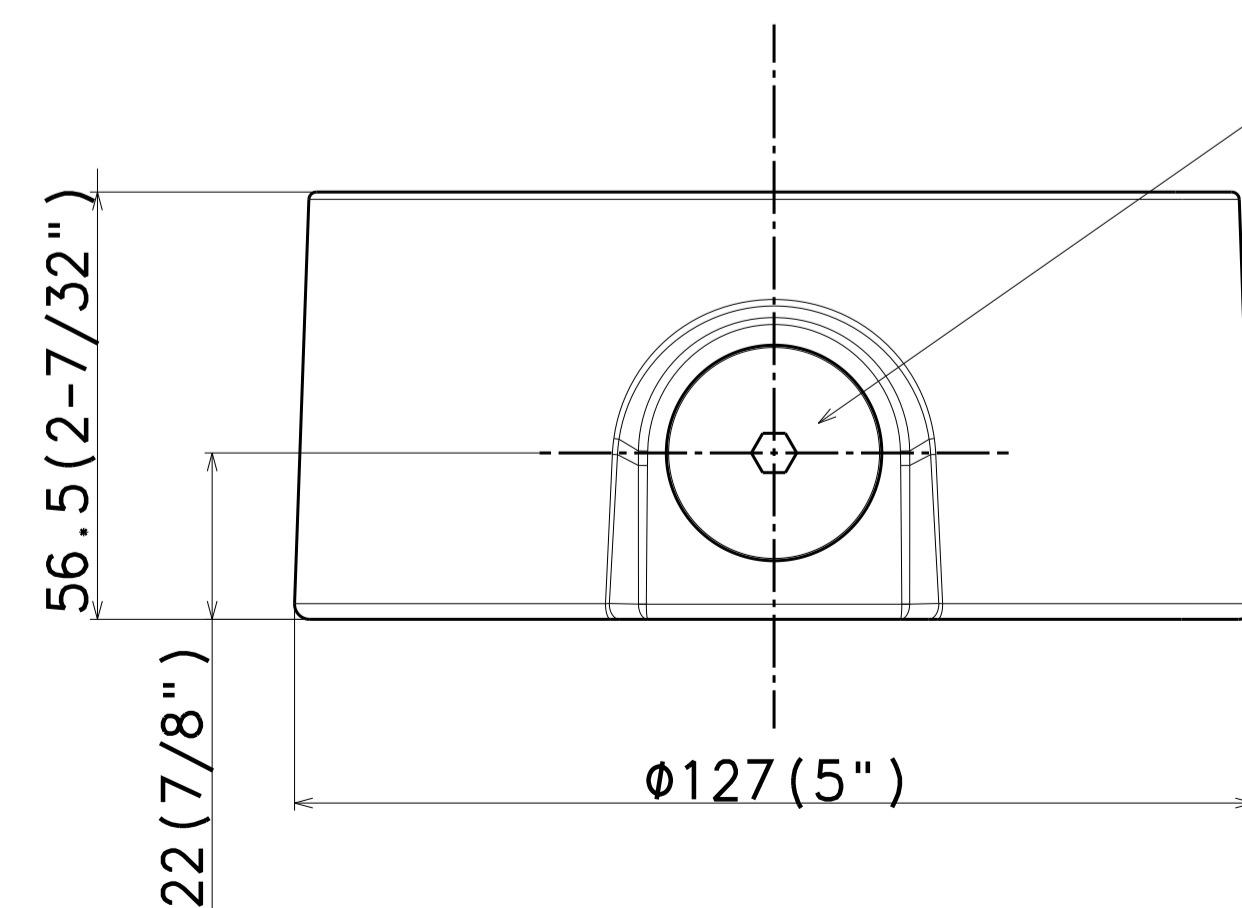


4 (5/32")

Sec C-C



27 (1-1/16")



56.5 (2-7/32")

22 (7/8")

127 (5")

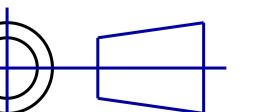
接続管用めねじ
Cap for the female thread for the conduit
JIS C 8305 (電線管ねじ) のCTG22、または
JIS B 0202 (管用平行ねじ) のG3/4に対応しています。
The female thread for conduit is compliant with
ANSI NPSM (parallel pipe threads) 3/4 or
ISO 228-1 (parallel pipe threads) G3/4.

	投影面積/Projected area
側面図/Side-view	0.007 (m ²)

Mass : Approx. 550 g {1.21 lbs} (Including Cover A)
Approx. 460 g {1.02 lbs} (Including Cover B)

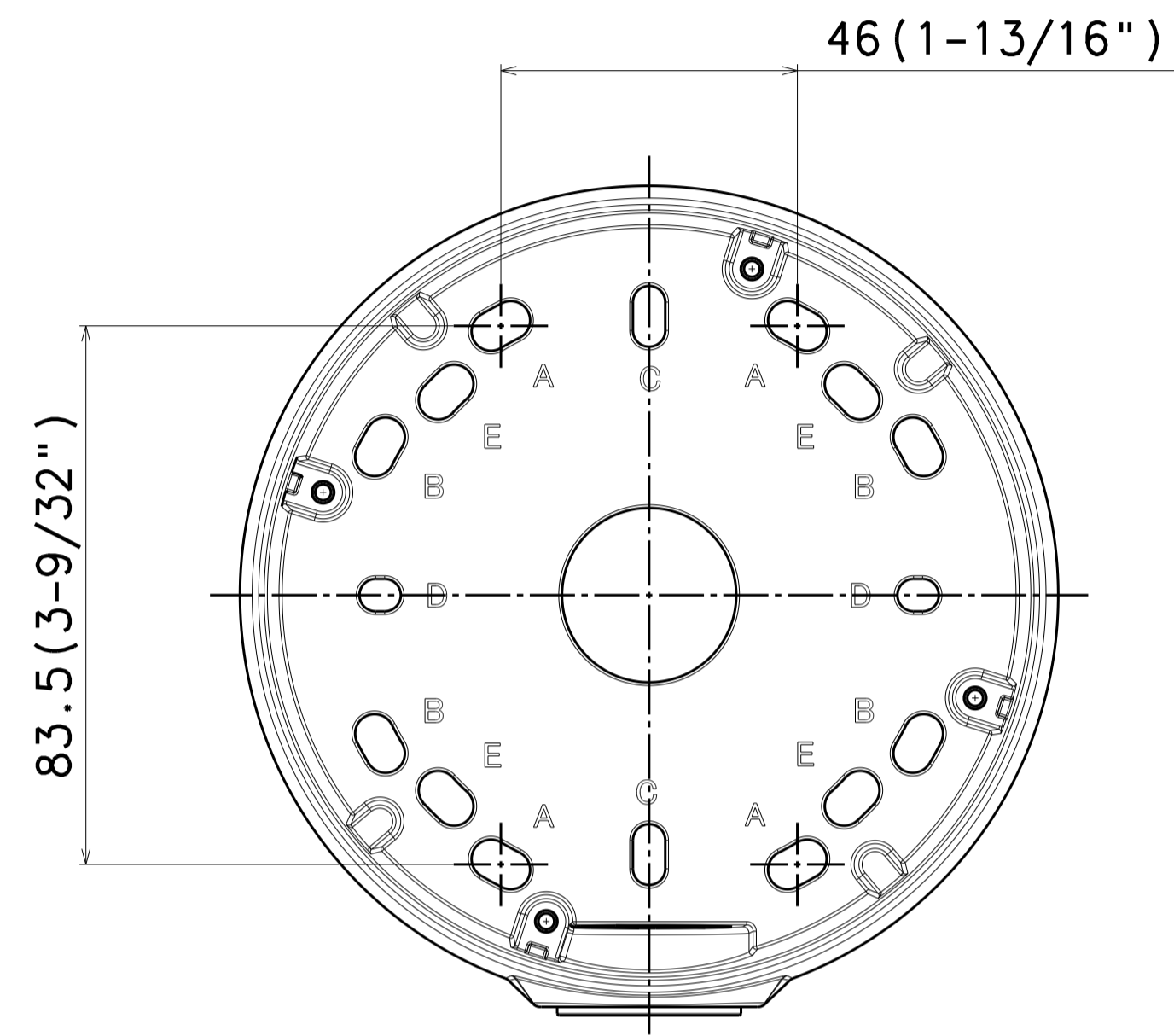
WV-QJB502A-W
WV-QJB502A-B

Unit:mm

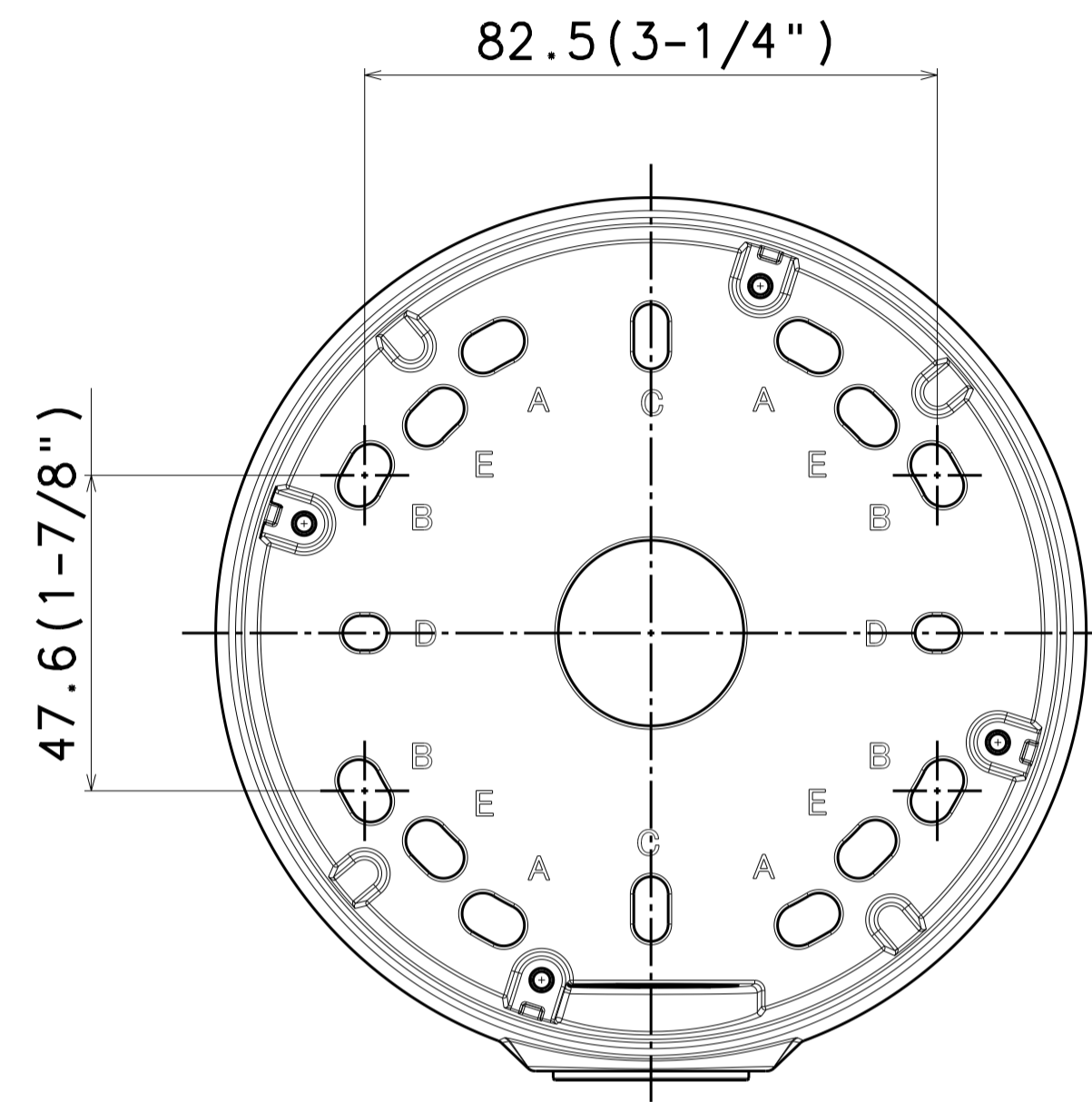


Mounting hole layout

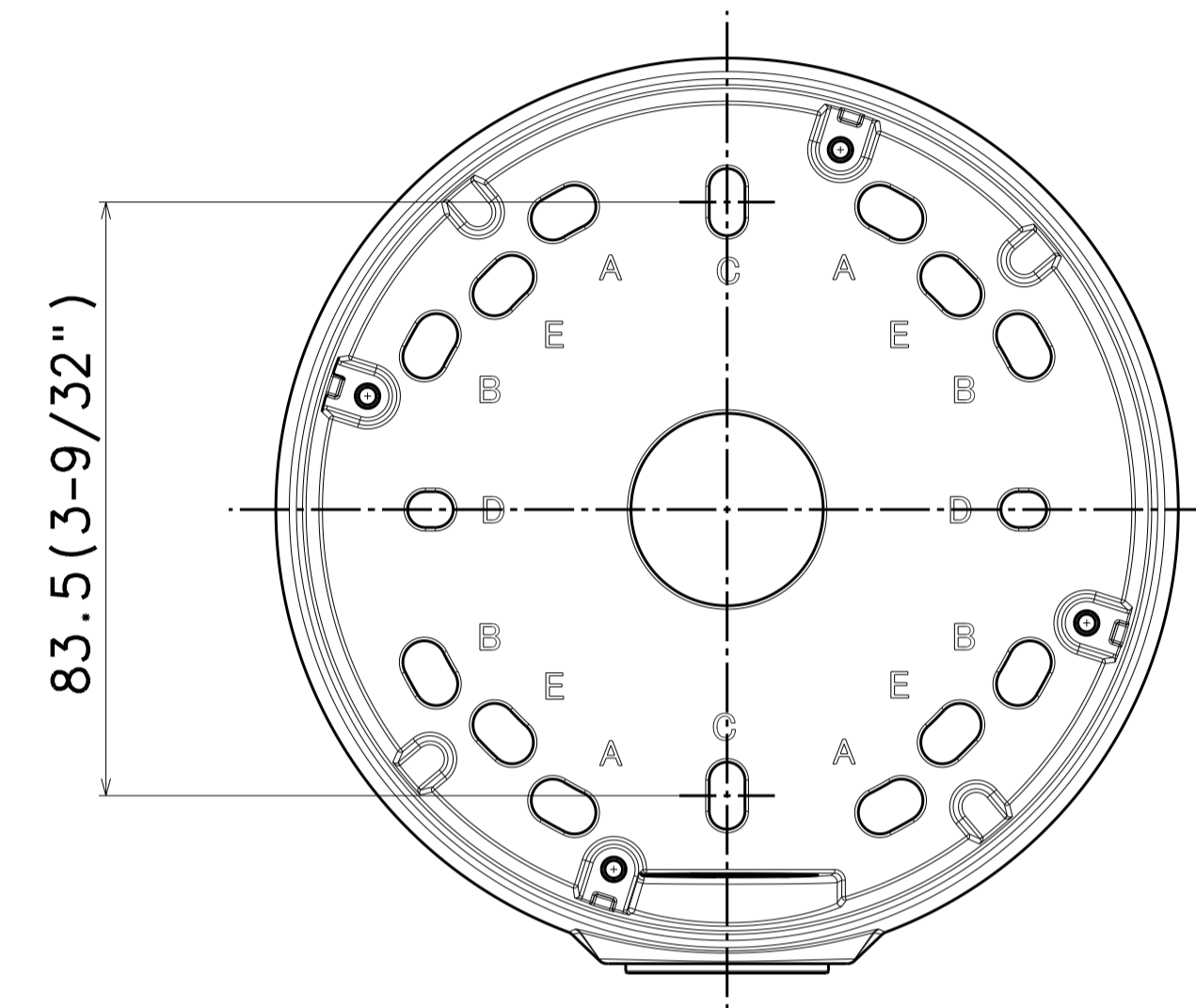
Position A



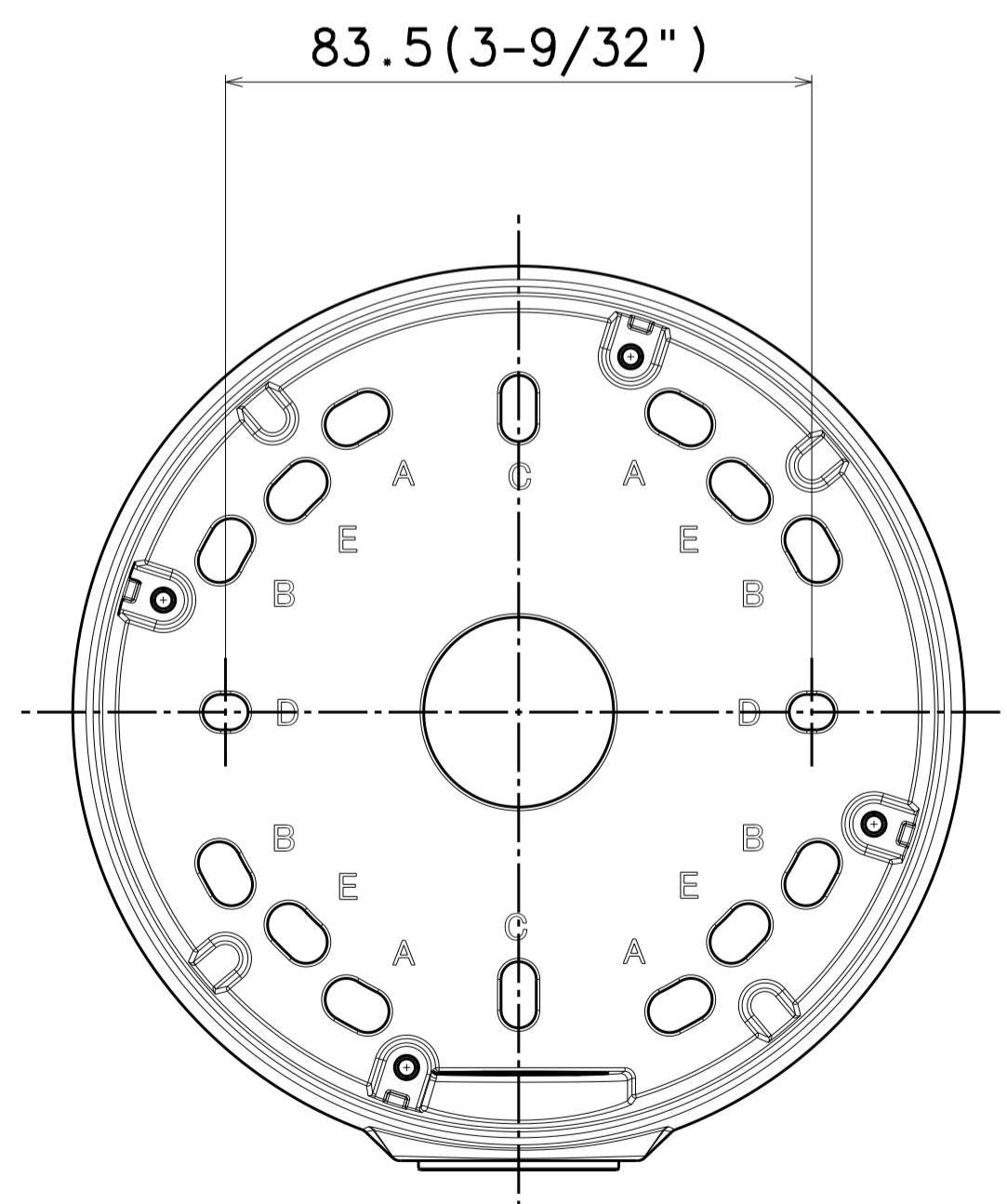
Position B



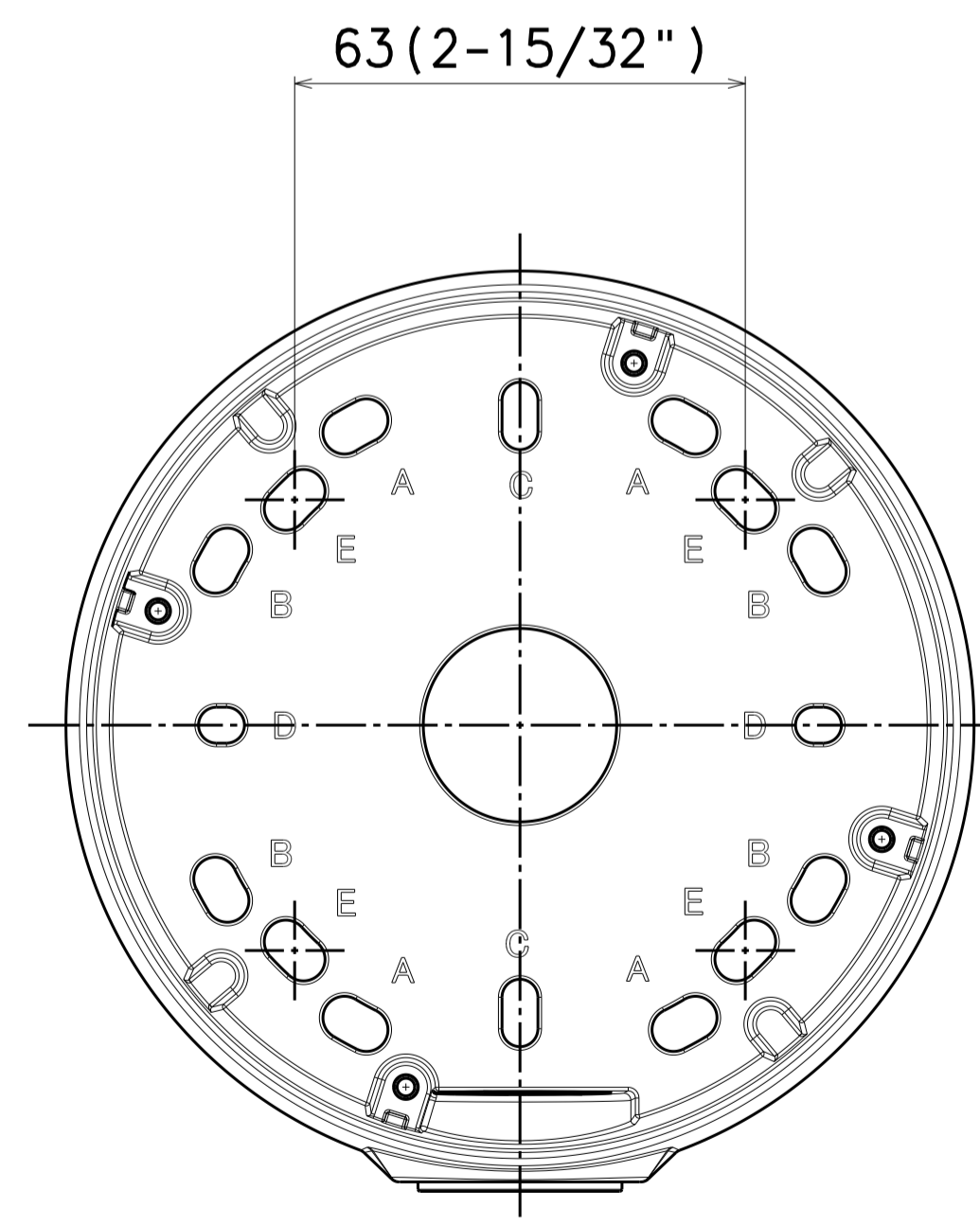
Position C



Position D

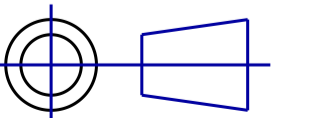


Position E

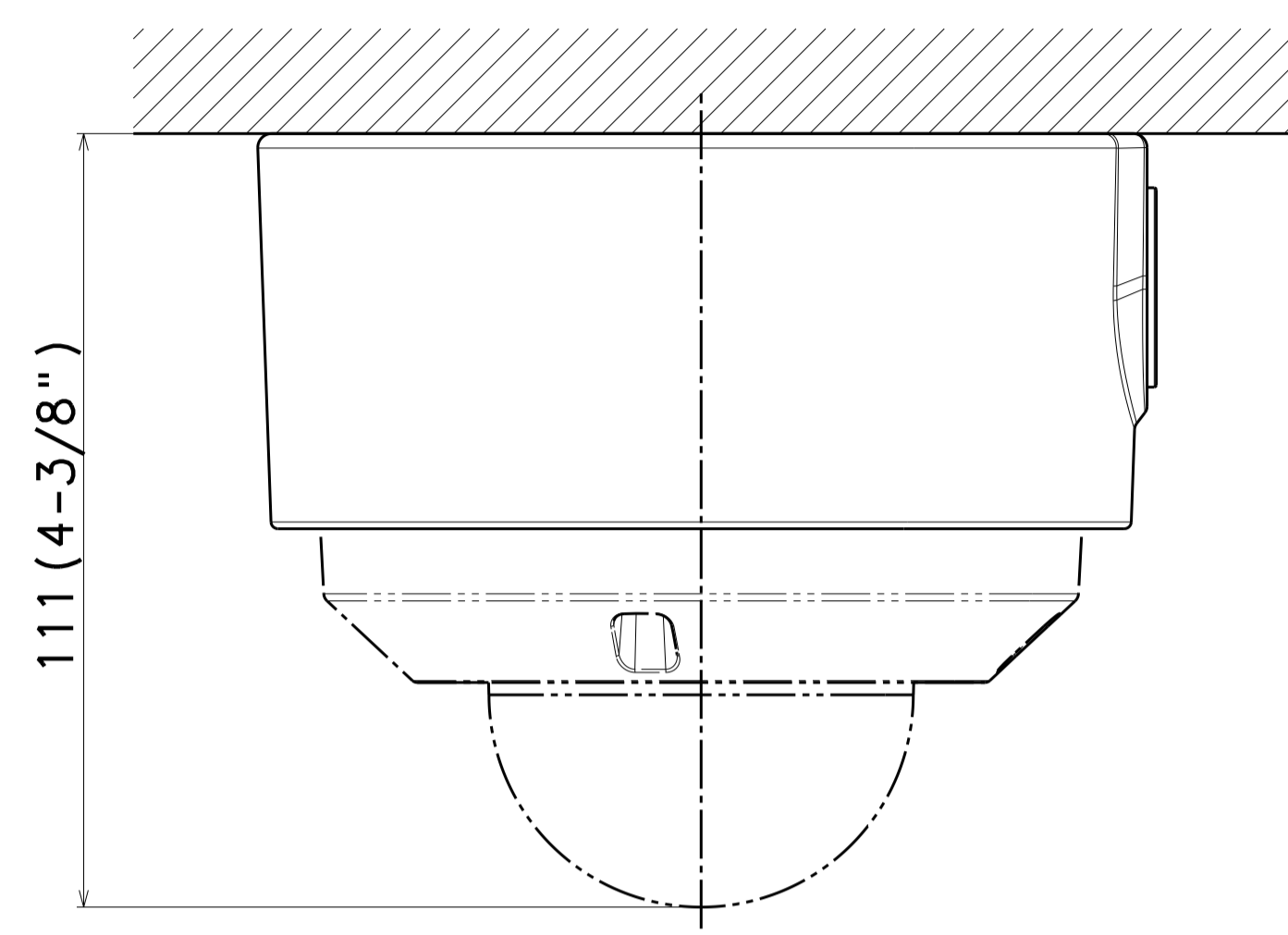


WV-QJB502-G
WV-QJB502-W
WV-QJB502A-W
WV-QJB502A-B

Unit:mm

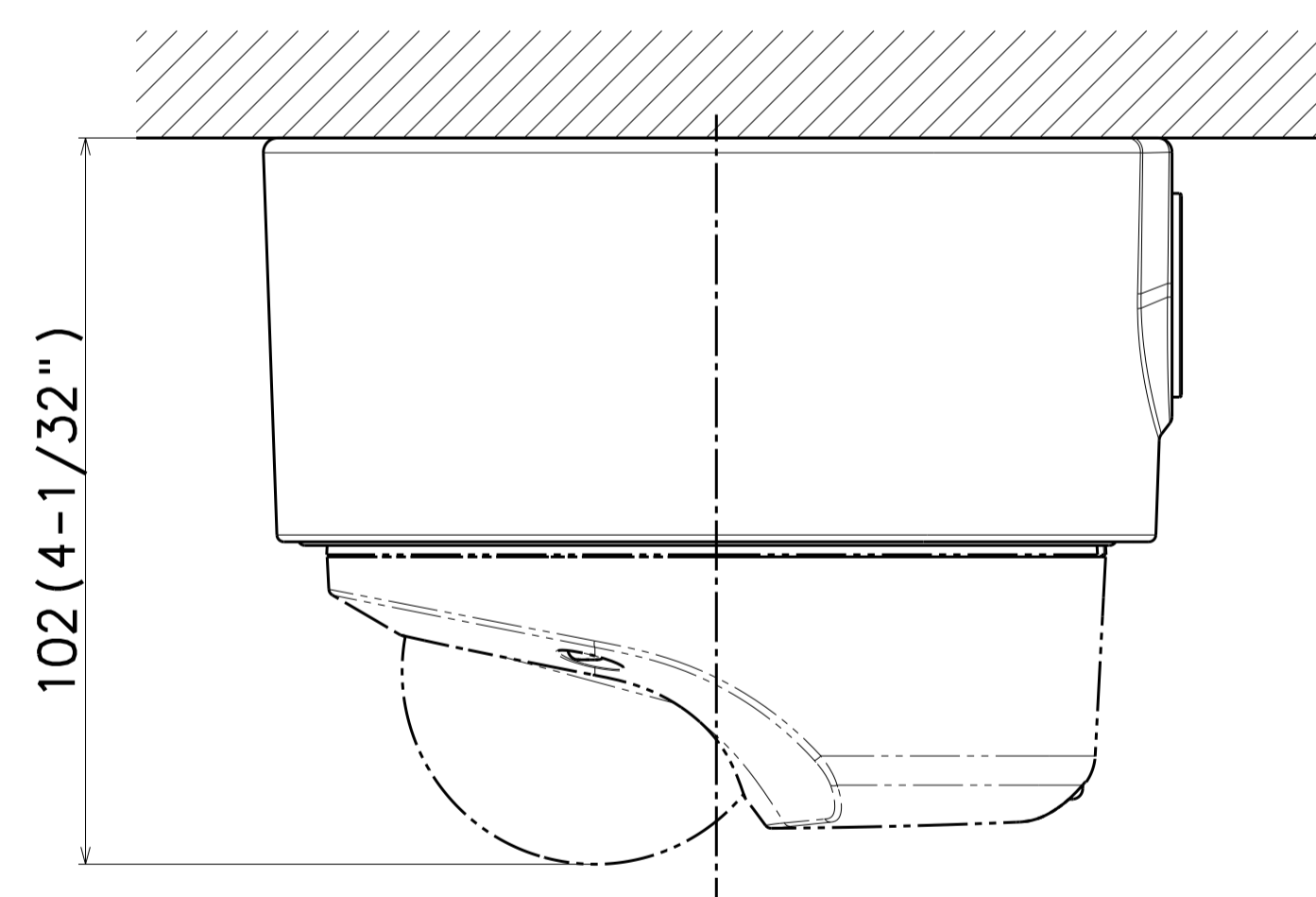


カメラとの組み合わせ例
Example of combination with a camera



Attach to WV-U25*0L

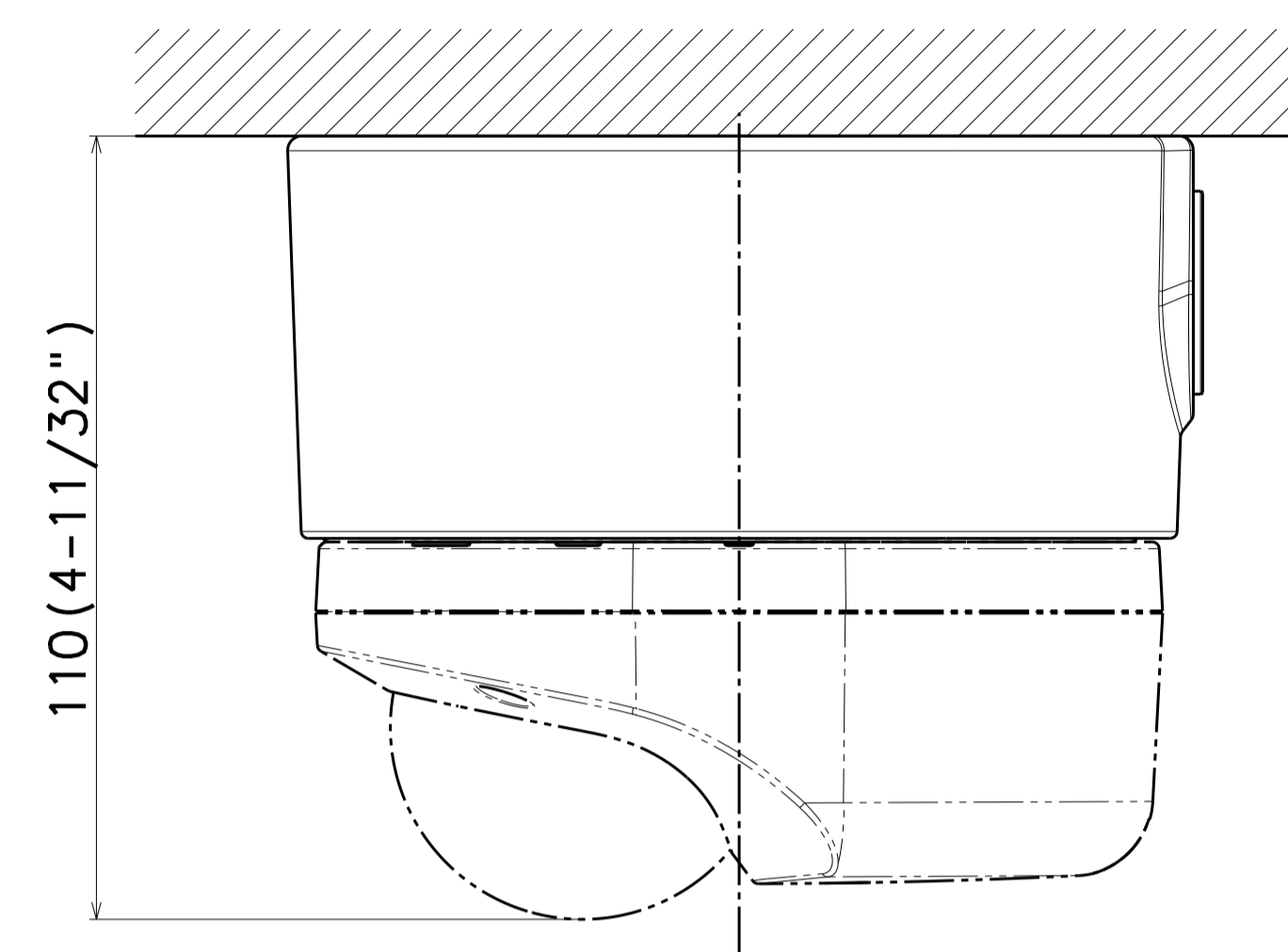
	投影面積/Projected area
側面図/Side-view	0.011 (m ²)



Attach to WV-S35***

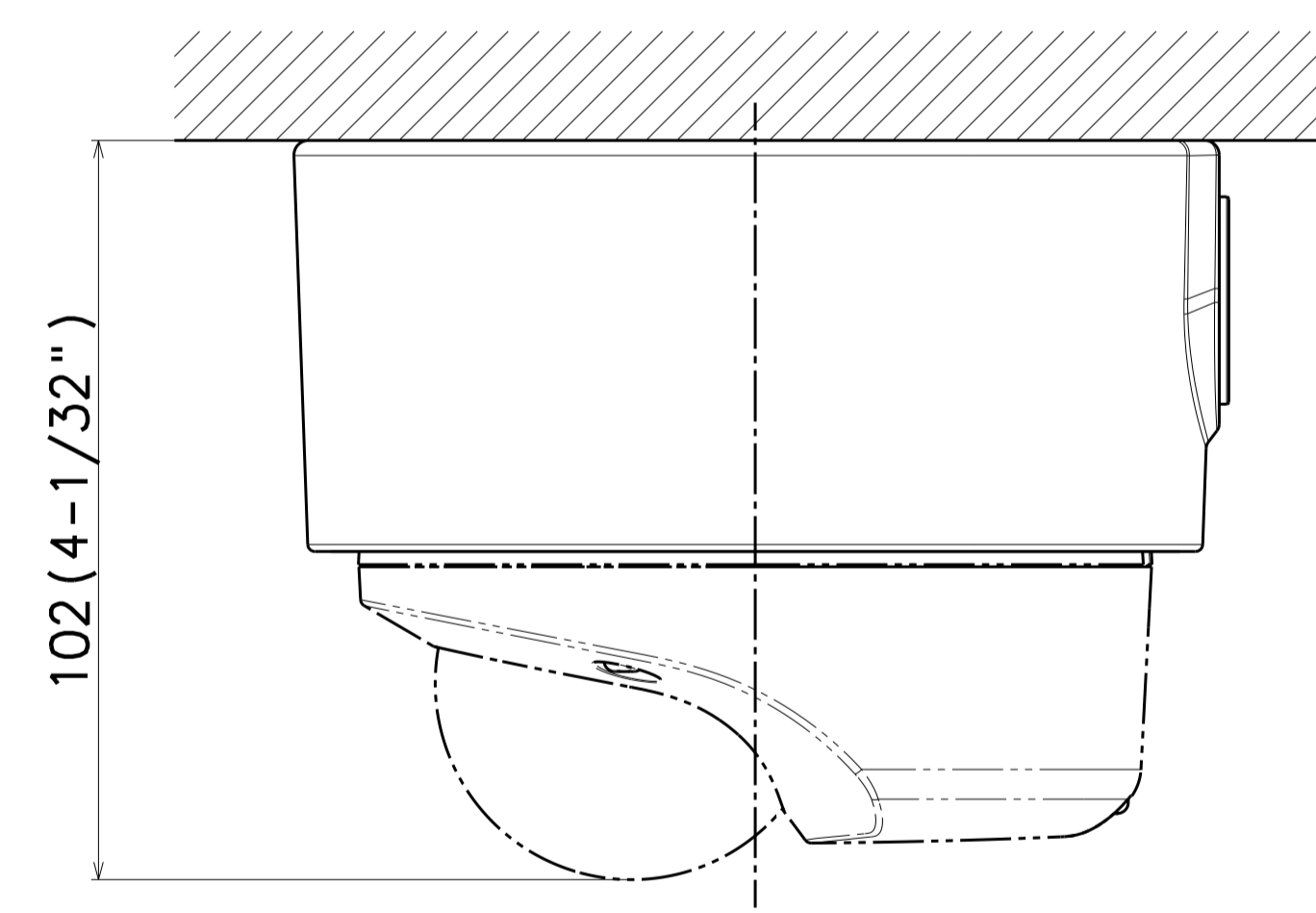
	投影面積/Projected area
側面図/Side-view	0.011 (m ²)

WV-QJB502-G
WV-QJB502-W



Attach to WV-S35*02-F2L**

	投影面積/Projected area
側面図/Side-view	0.012 (m ²)



Attach to WV-U35*01-F2L**

	投影面積/Projected area
側面図/Side-view	0.011 (m ²)

WV-QJB502A-W
WV-QJB502A-B

Unit:mm

