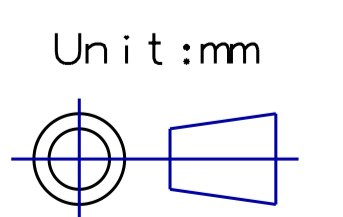
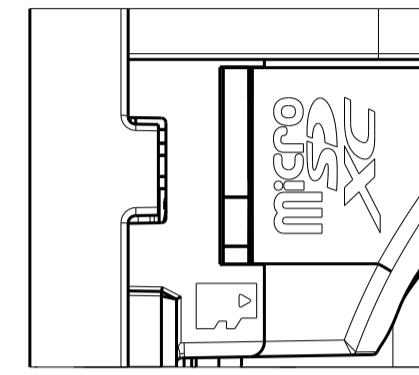


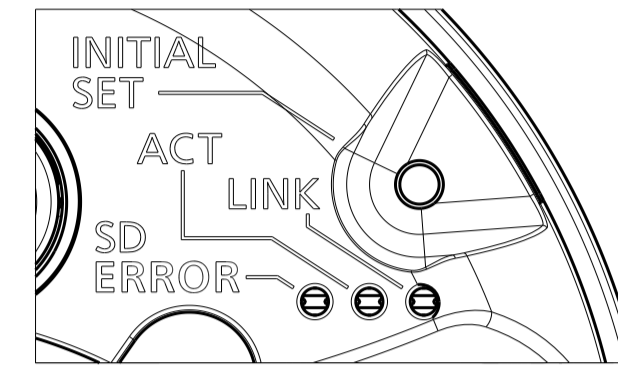
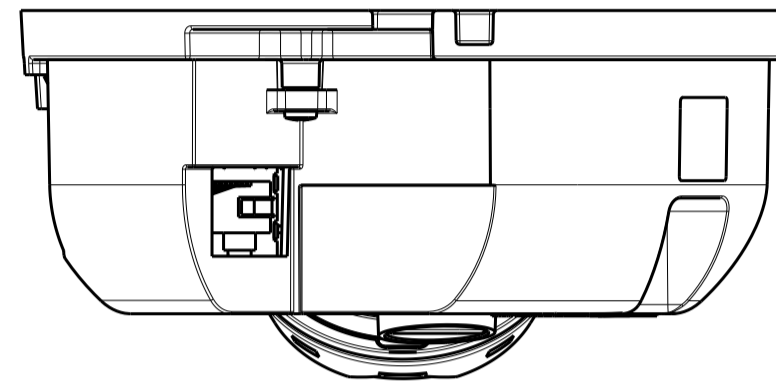
Without Screw cover

Mass : Approx. 255 g {0.56 lbs}

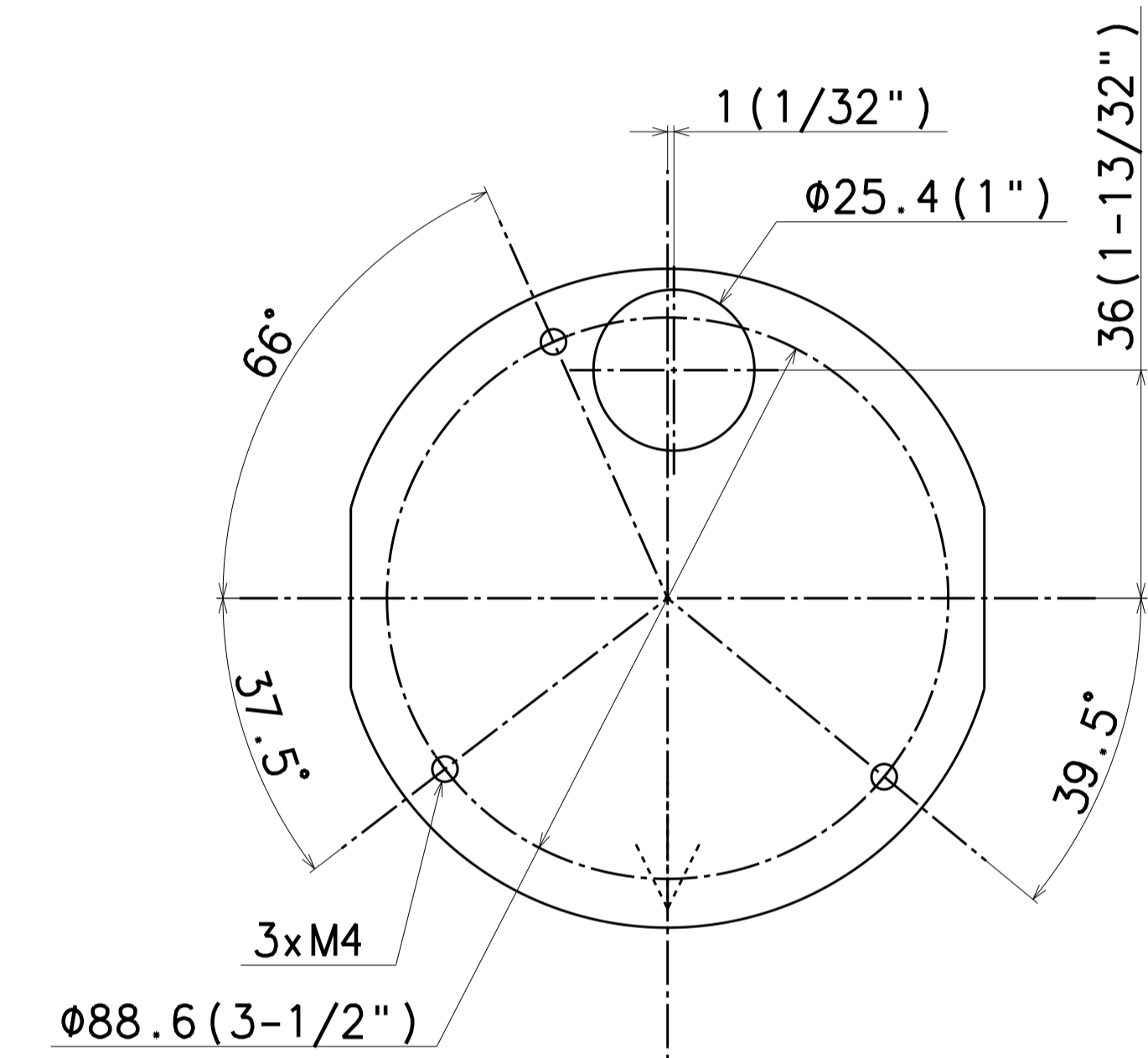
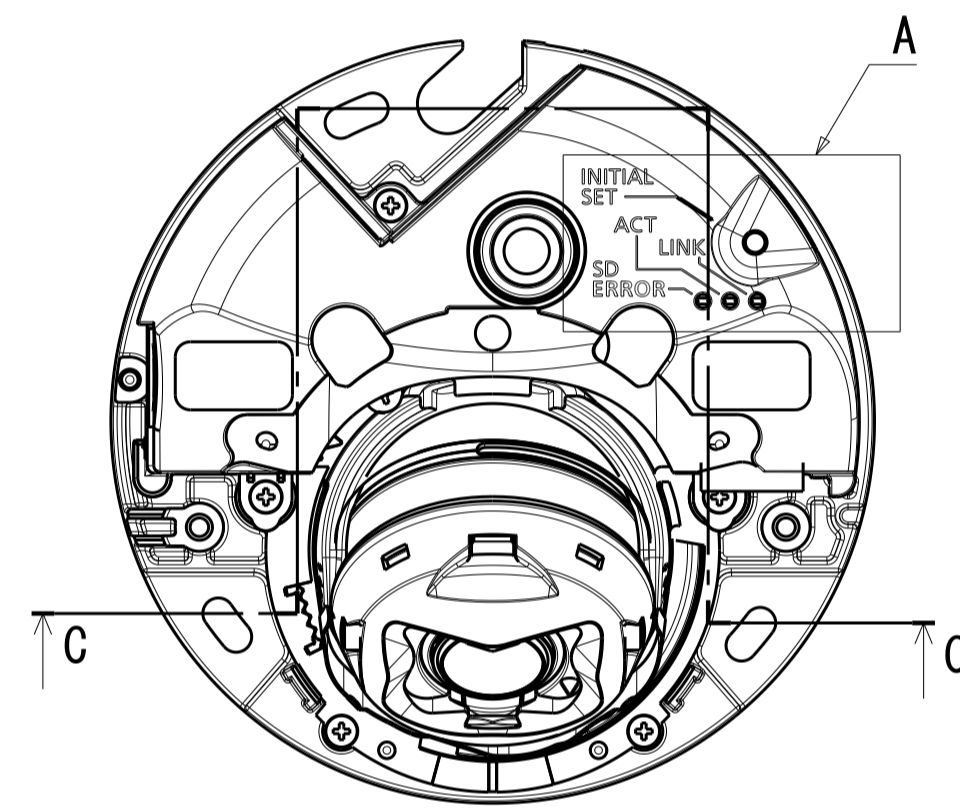
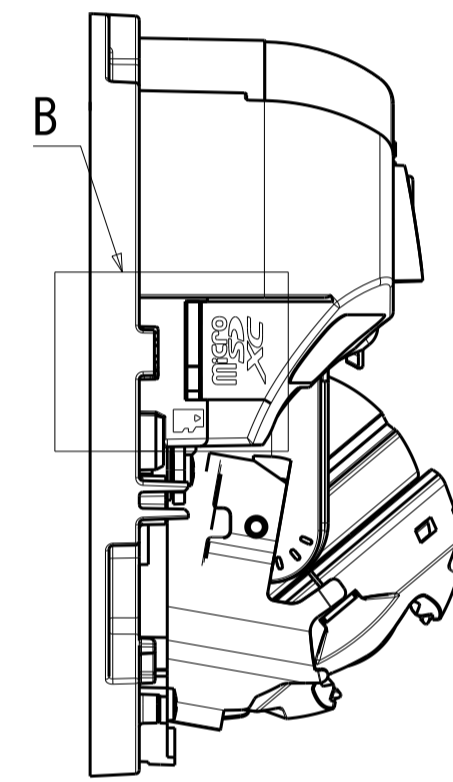




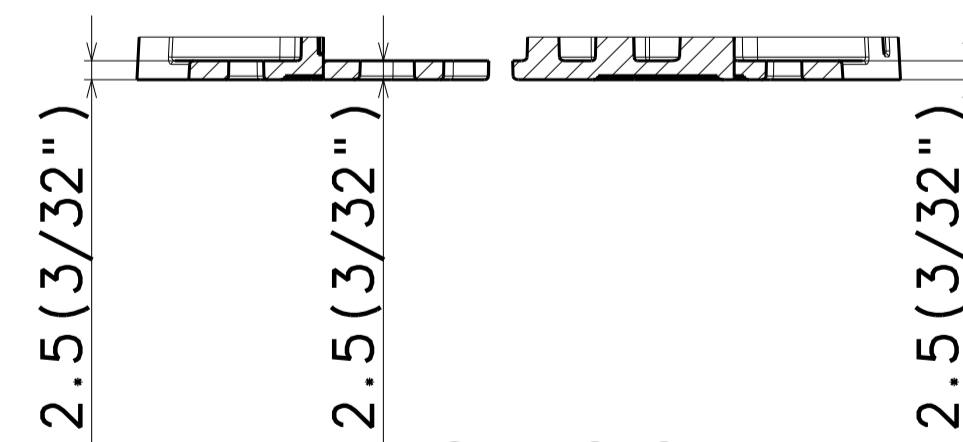
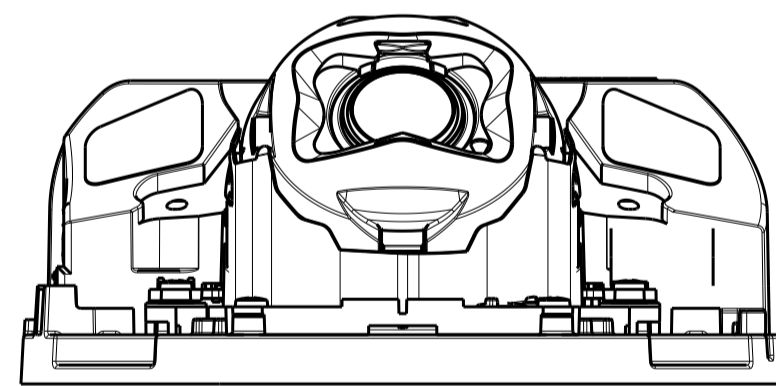
Detail B (2:1)



Detail A (2:1)

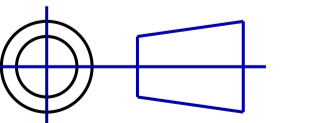


Template for mounting

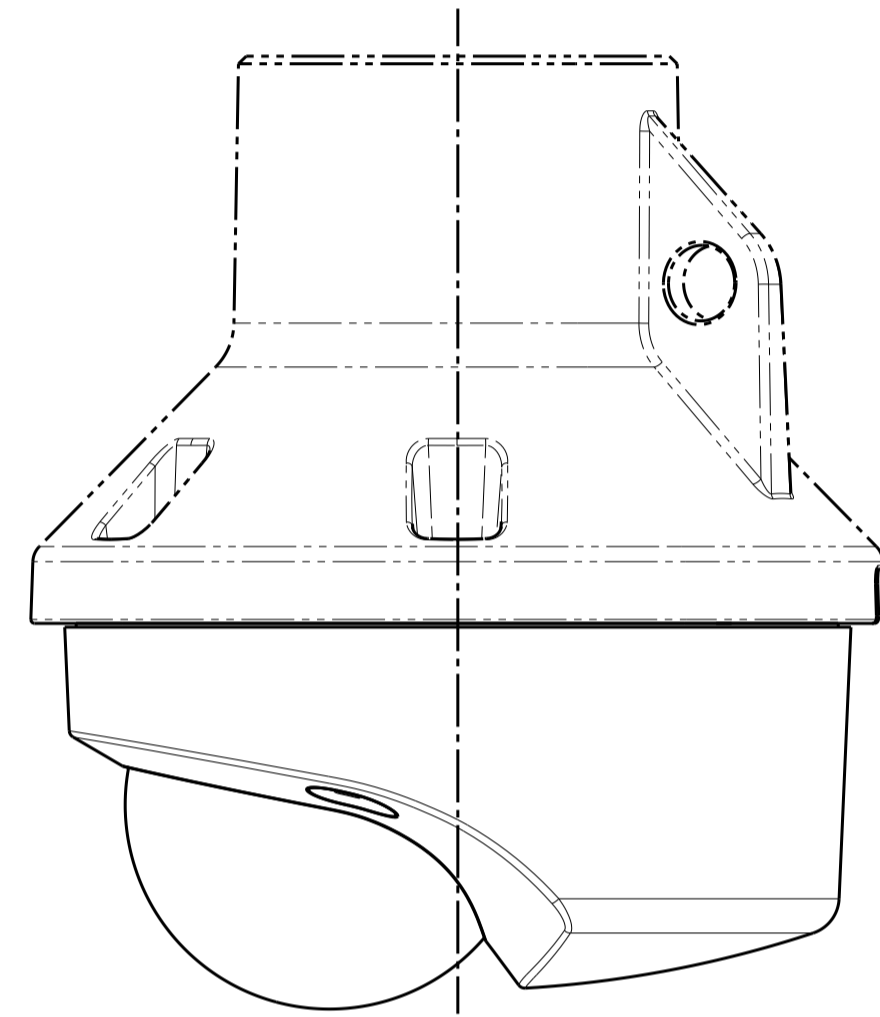


Without Enclosure

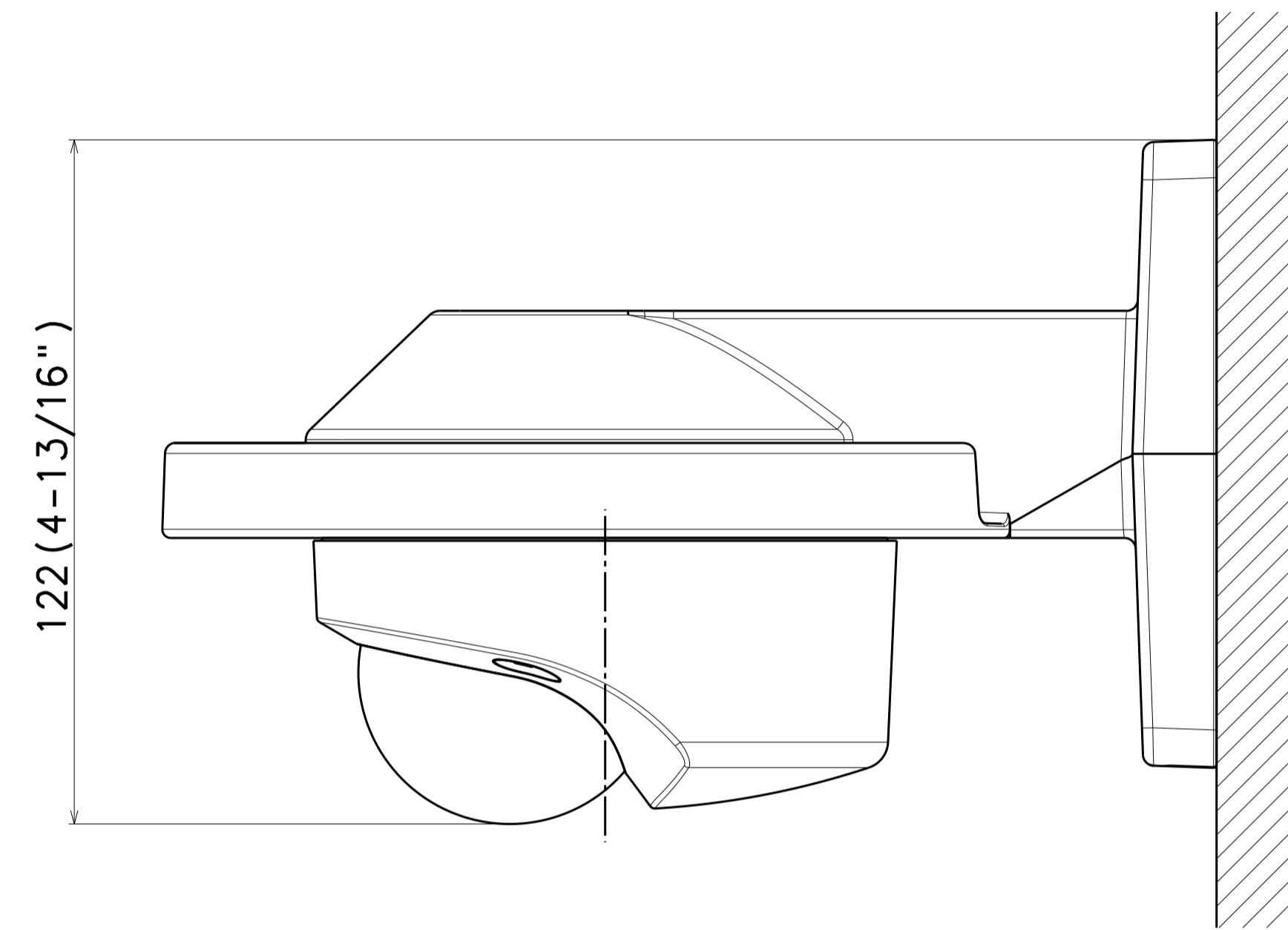
Unit:mm



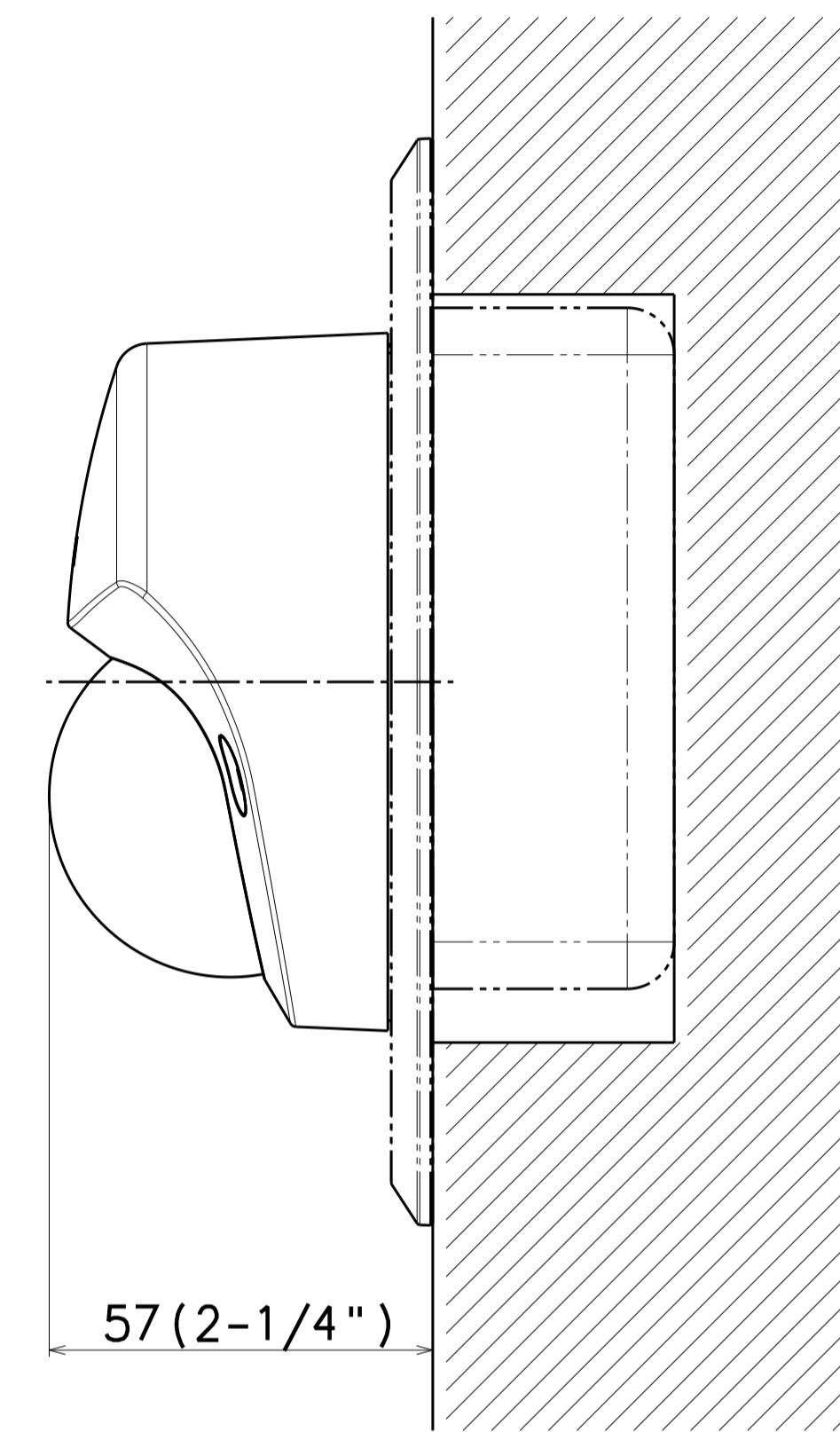
金具との組み合わせ例
Example of combination with bracket



Attach to WV-QCL101-*

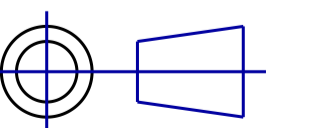


Attach to WV-QWL500-**



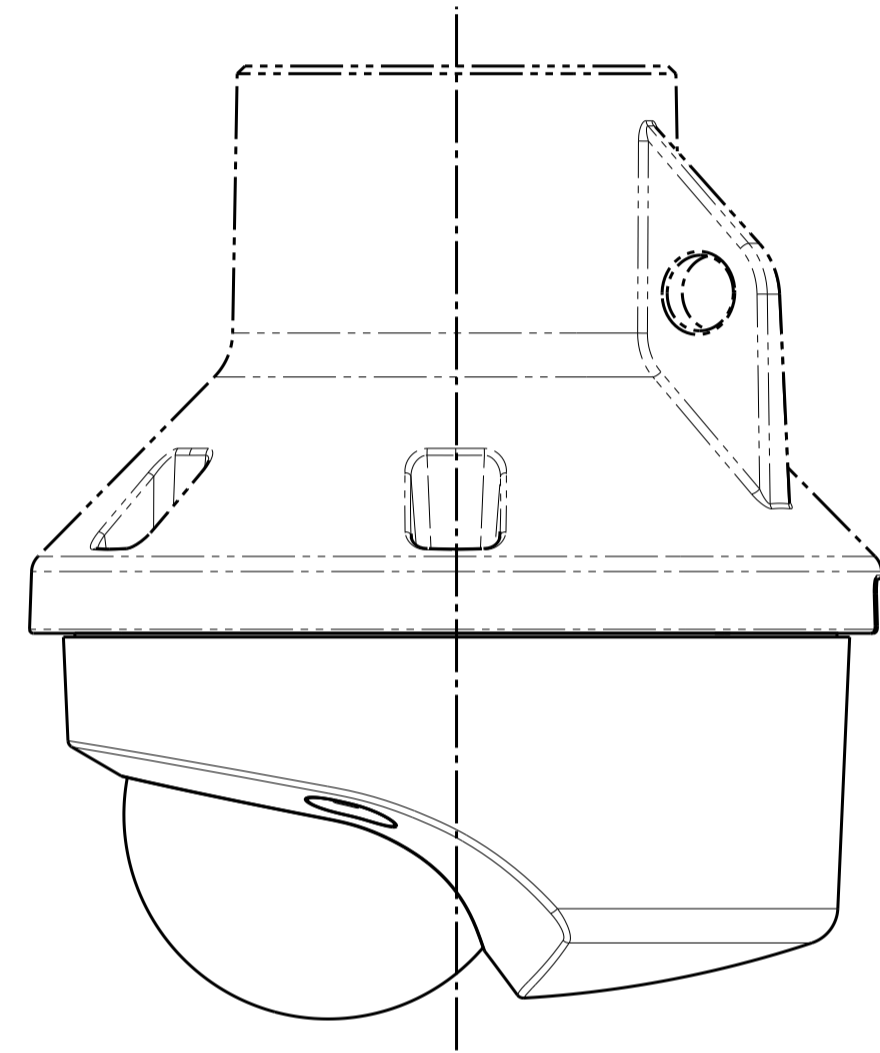
Attach to WV-QAT502-* & 2-Gang Box

Unit:mm

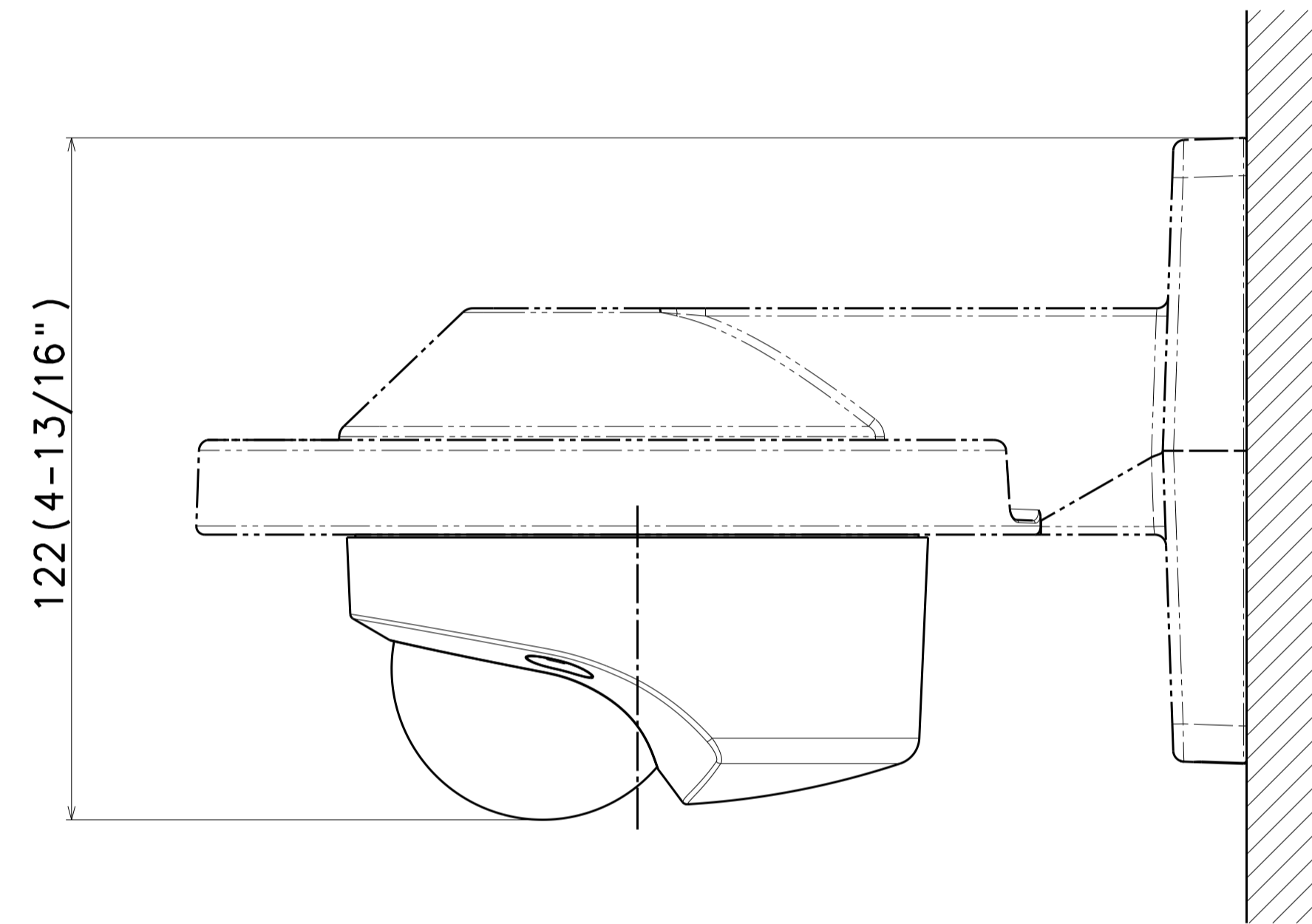


金具との組み合わせ例
Example of combination with bracket

国内向け
Domestic



Attach to WV-QCL100-*



Attach to WV-QWL500-**

Unit:mm

