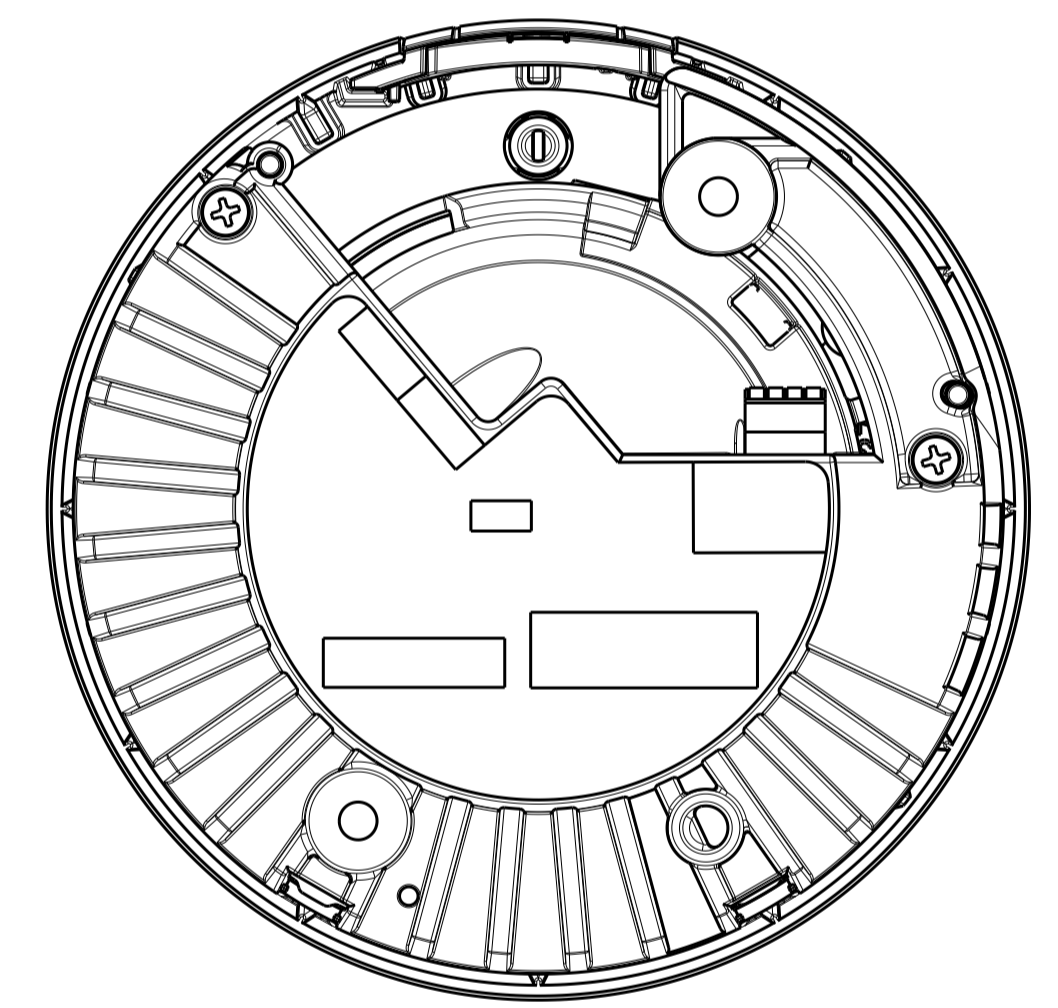


Subject  
 WV-X22300-V3L  
 WV-X22500-V3L  
 WV-X22600-V2L  
 WV-X22700-V2L

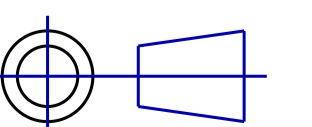


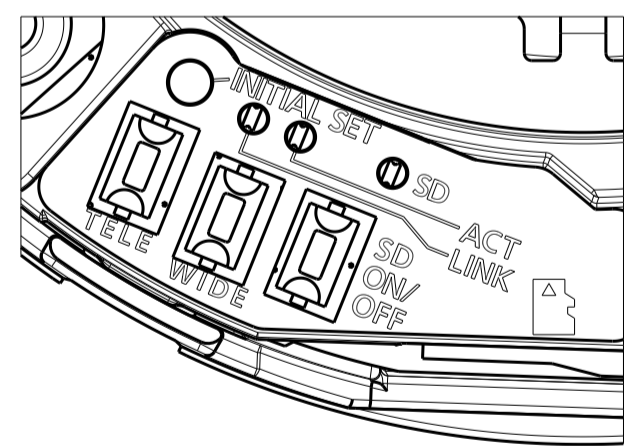
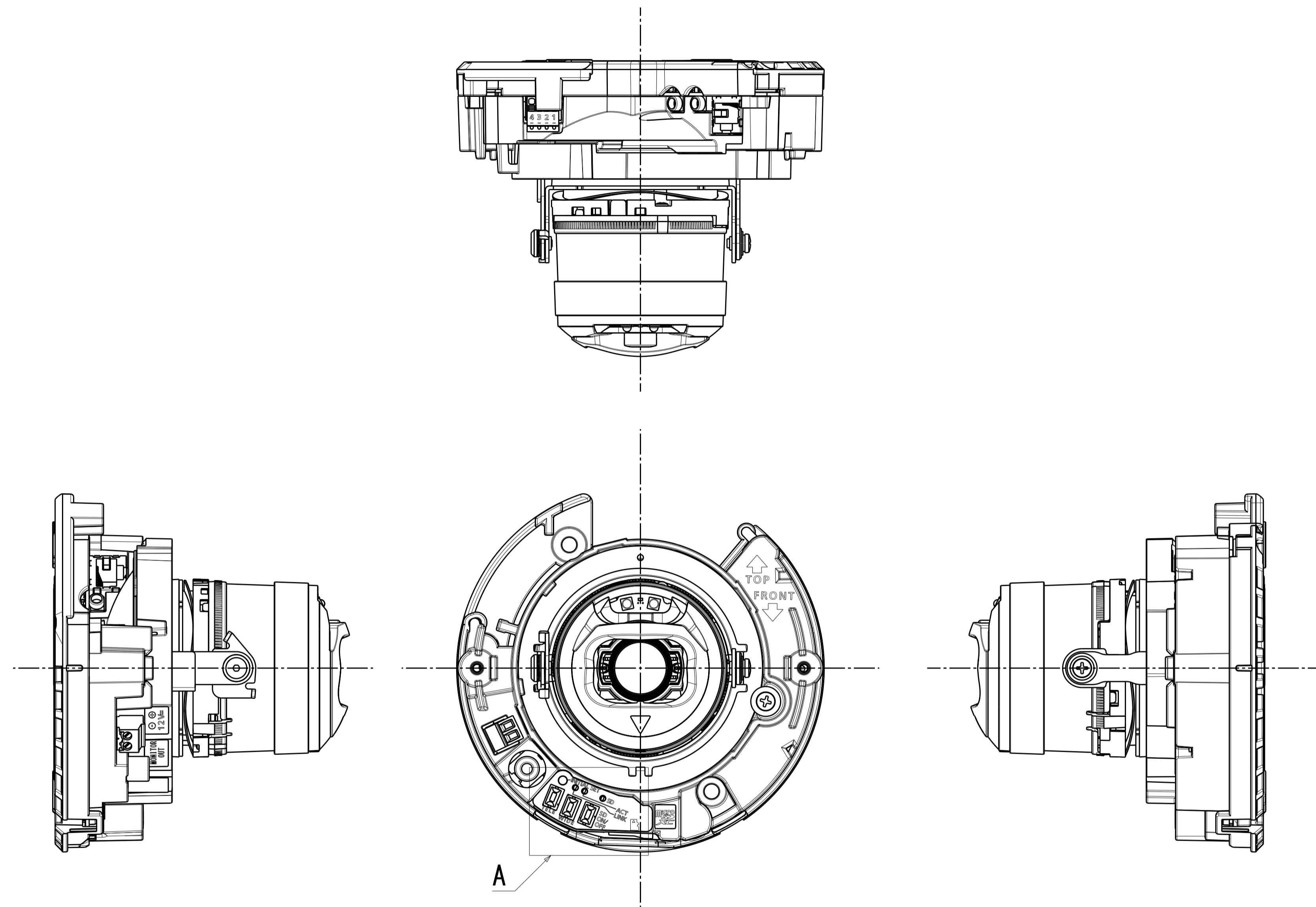
Subject  
 WV-X22300-V3LJ  
 WV-X22500-V3LJ  
 WV-X22700-V2LJ

Model number  
 WV-X22300-V3L  
 WV-X22300-V3LJ  
 WV-X22500-V3L  
 WV-X22500-V3LJ  
 WV-X22600-V2L  
 WV-X22700-V2L  
 WV-X22700-V2LJ

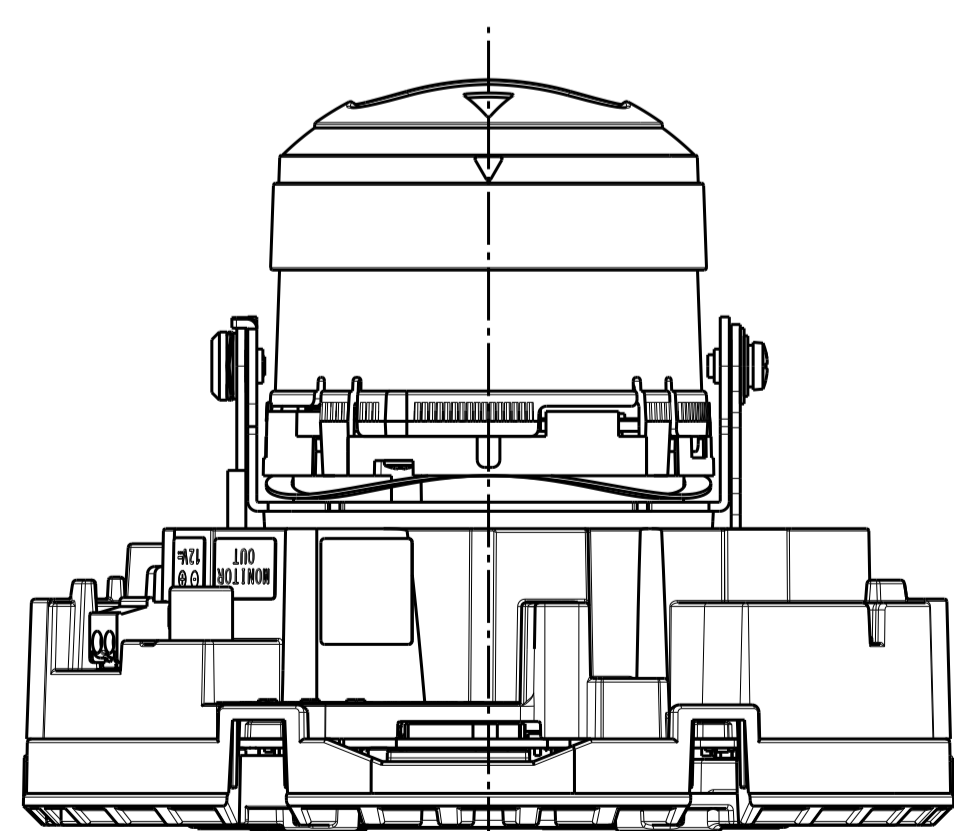
Mass : Approx. 820 g {1.81 lbs}

Unit:mm

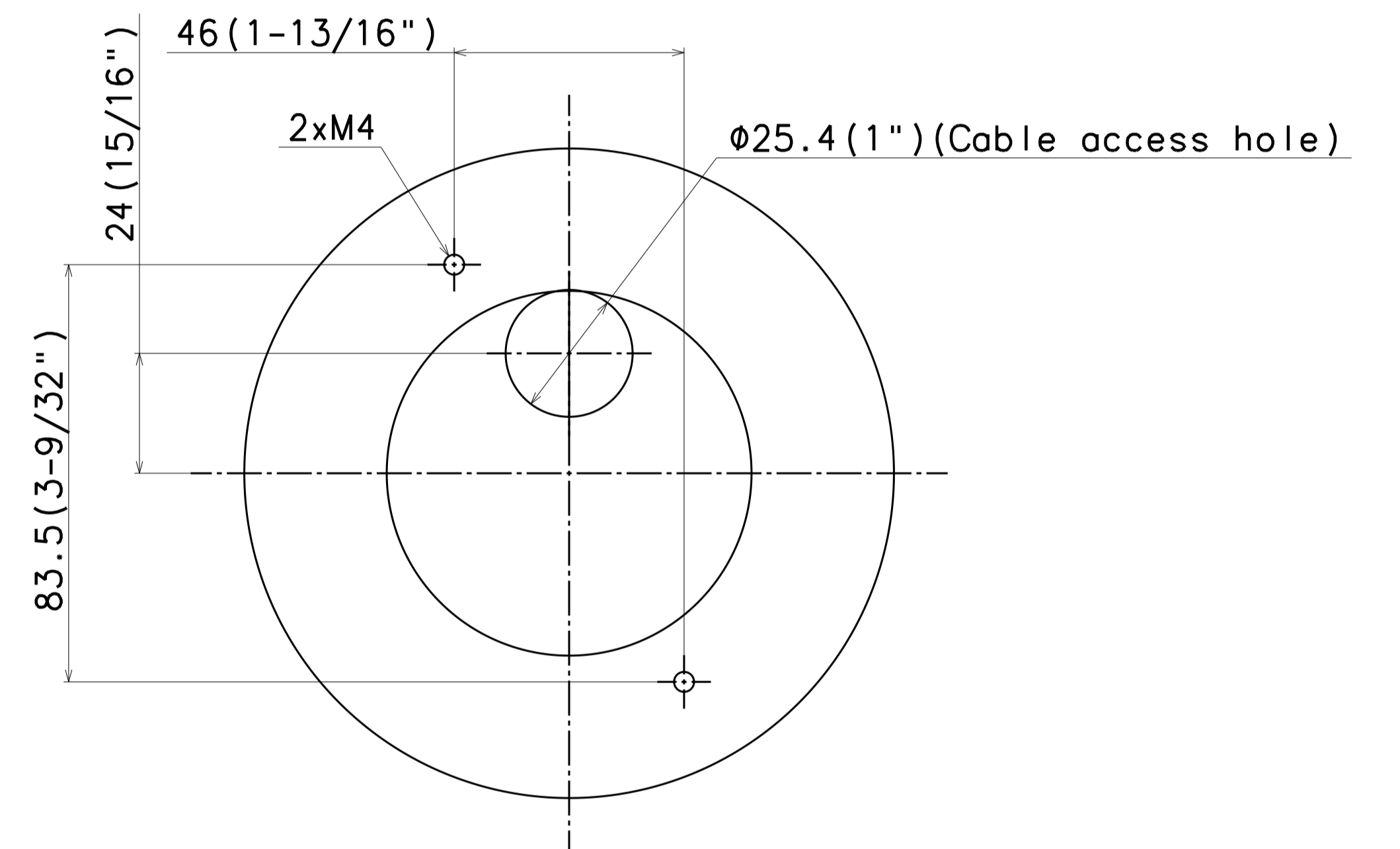




Detail A (2:1)



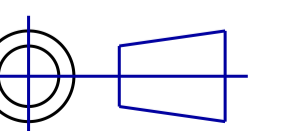
Without Enclosure



Template for mounting

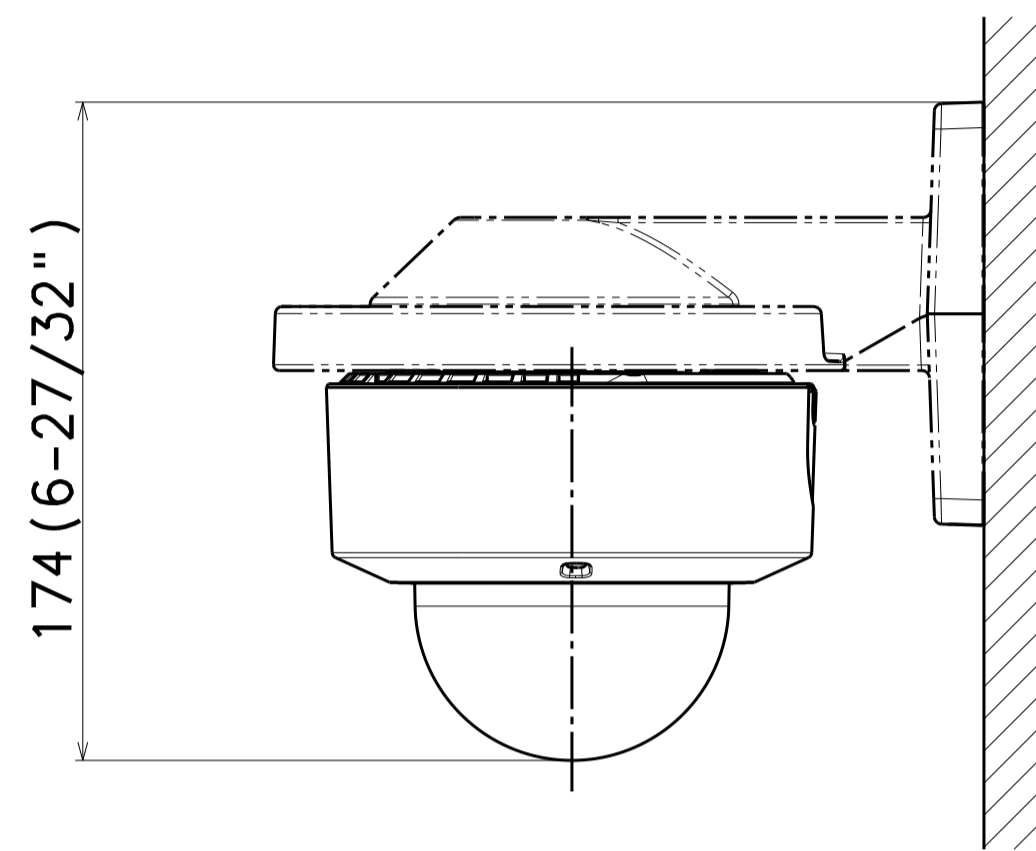
Model number
WV-X22300-V3L
WV-X22300-V3LJ
WV-X22500-V3L
WV-X22500-V3LJ
WV-X22600-V2L
WV-X22700-V2L
WV-X22700-V2LJ

Unit:mm

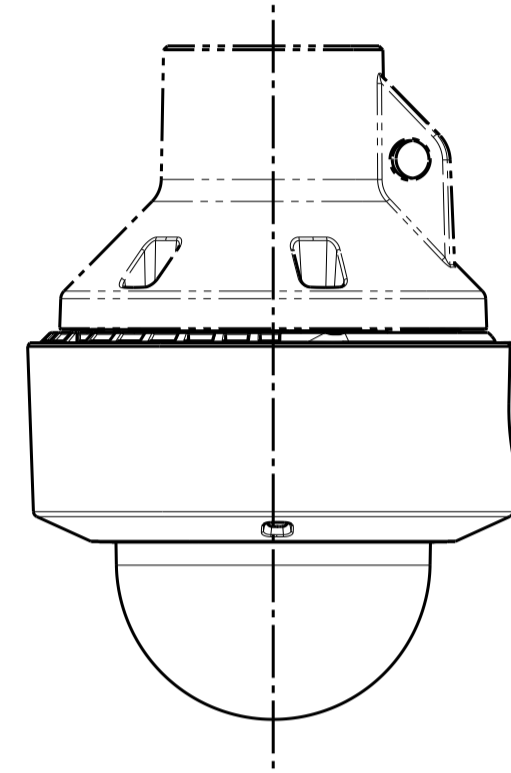




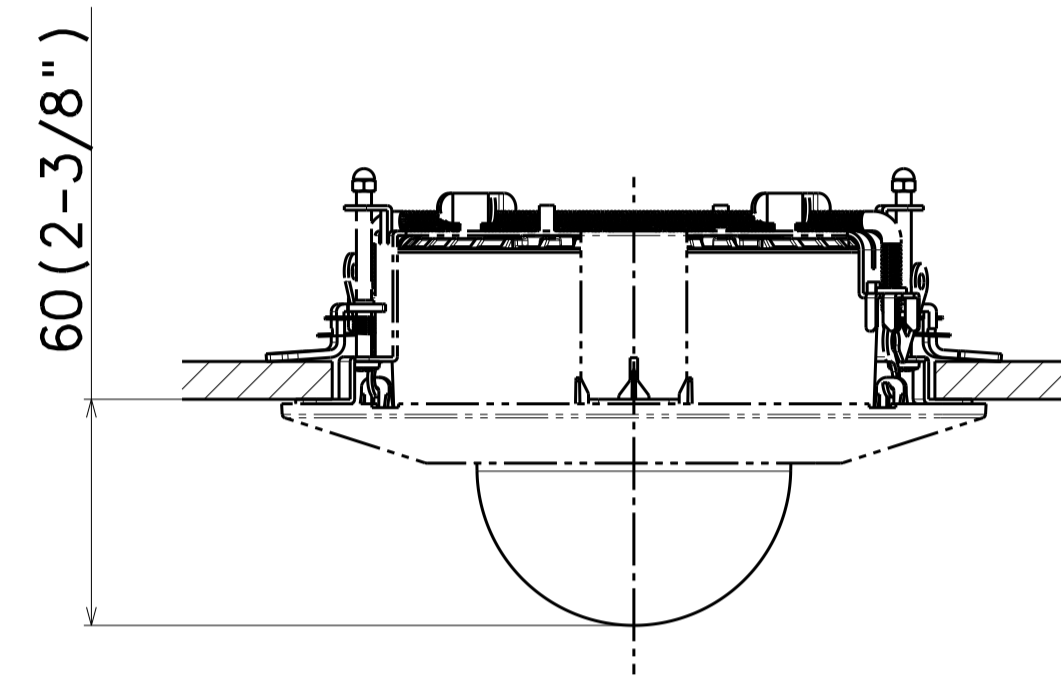
金具との組み合わせ例  
Example of combination with bracket



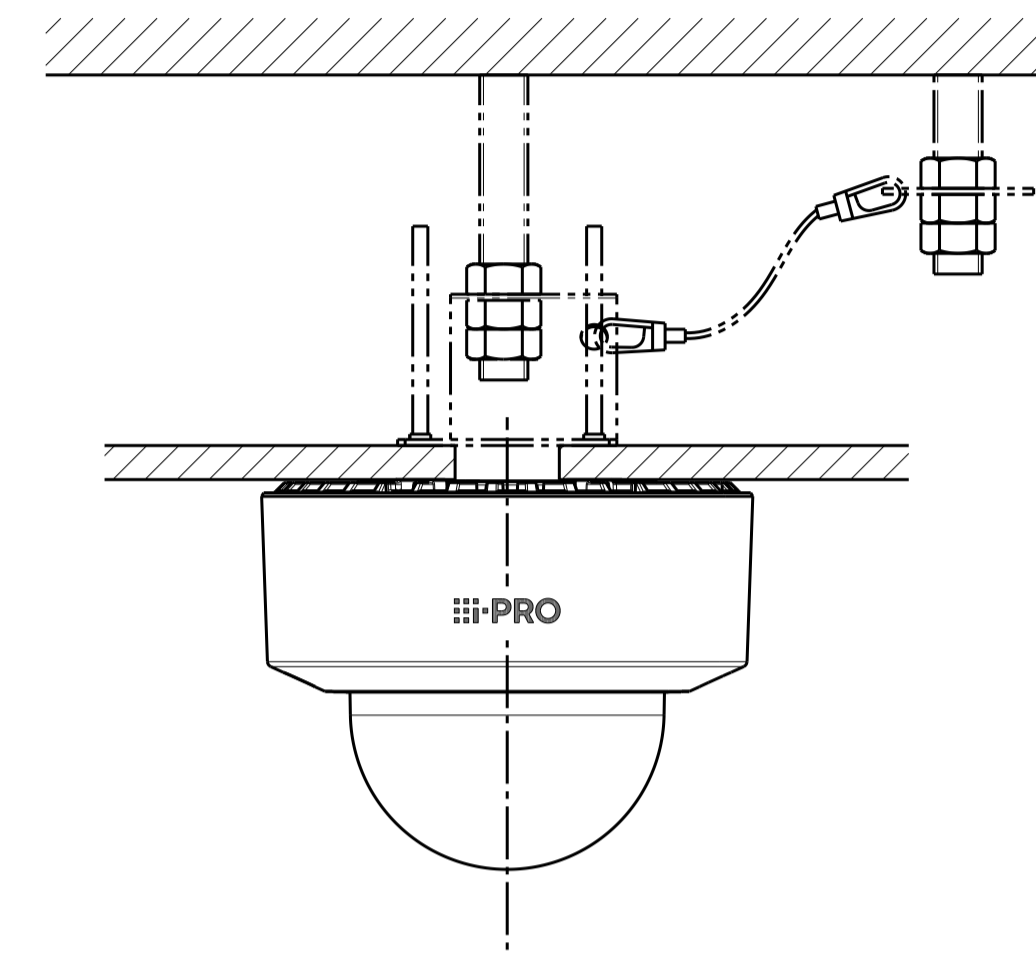
Attach to WV-QWL500\*\*



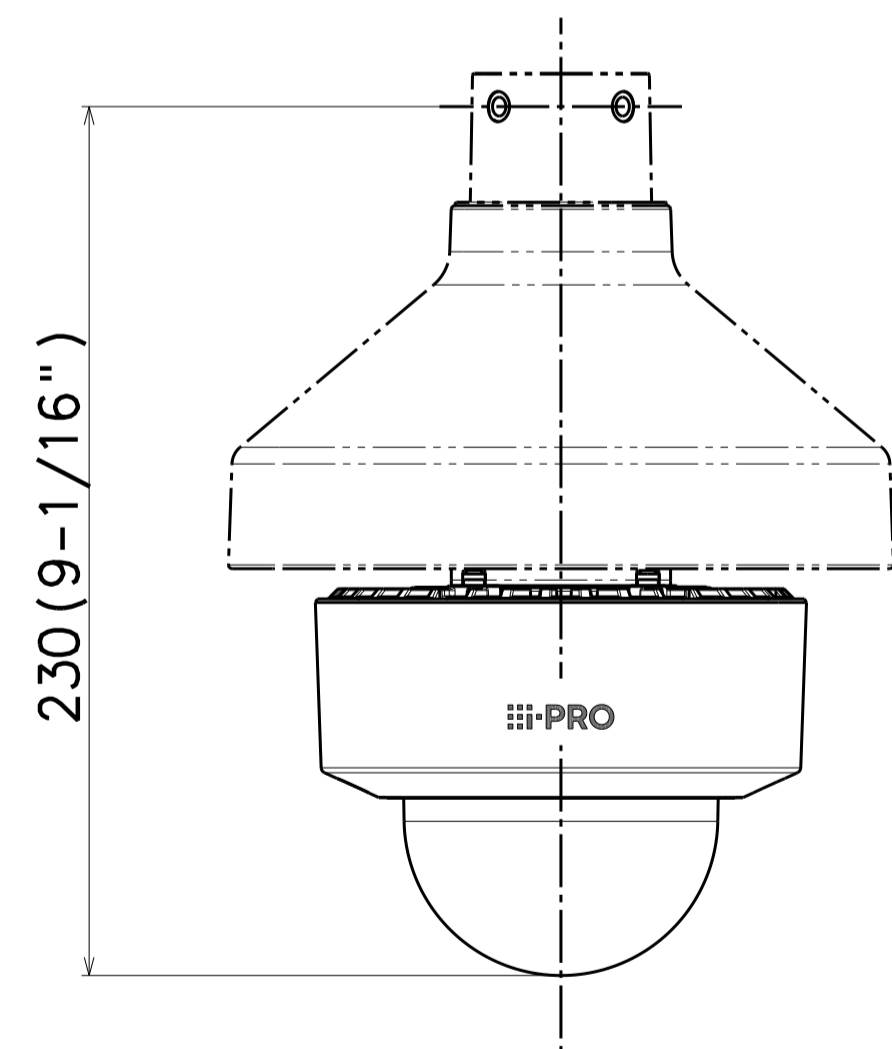
Attach to WV-QCL100\*\*



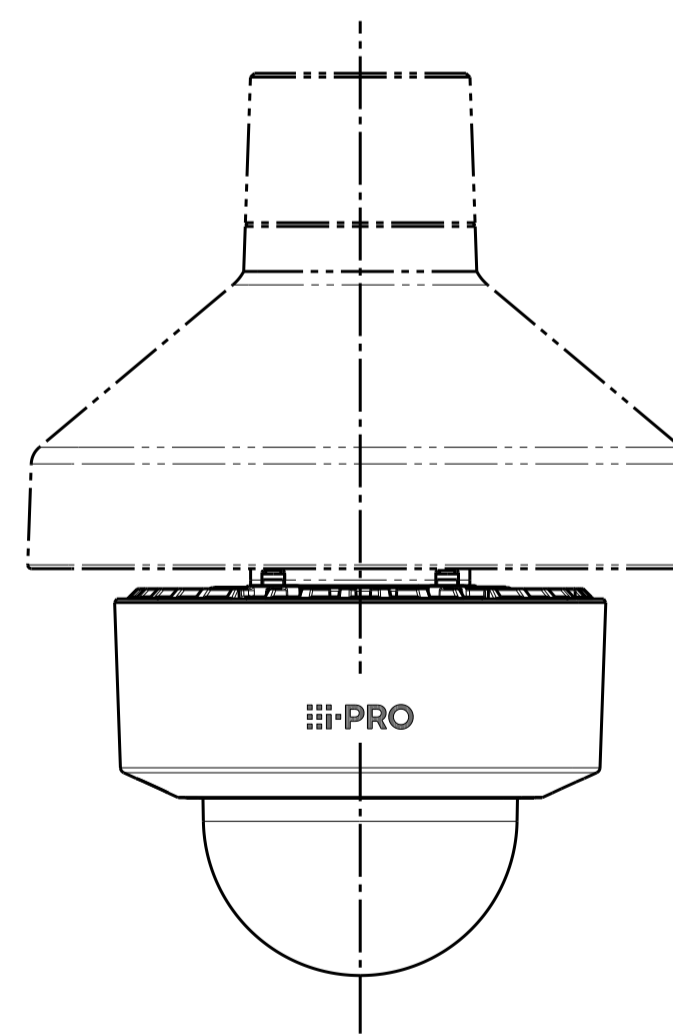
Attach to WV-QEM100\*\*



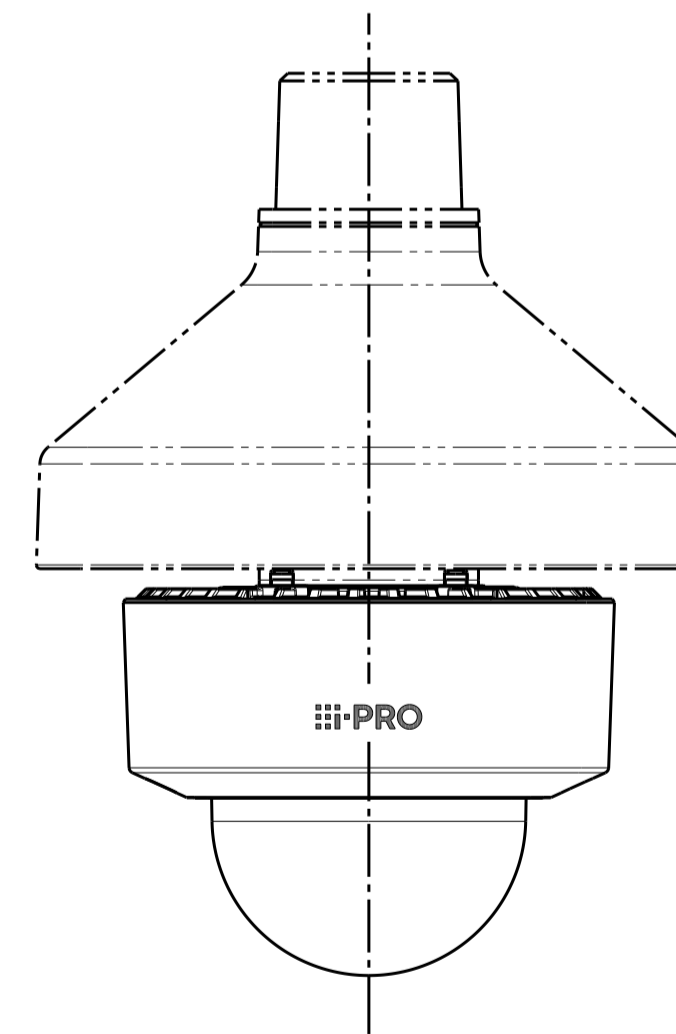
Attach to WV-Q105A\*\*



Attach to WV-QSR501\*\*



Attach to WV-QSR501F\*\*



Attach to WV-QSR501M\*\*

Model number
WV-X22300-V3L
WV-X22300-V3LJ
WV-X22500-V3L
WV-X22500-V3LJ
WV-X22600-V2L
WV-X22700-V2L
WV-X22700-V2LJ

Unit:mm

