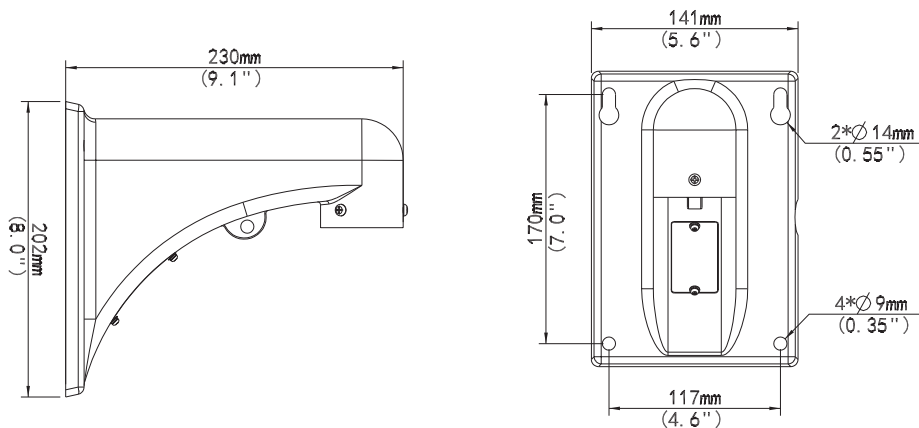




Technical Specifications

Application	Indoor or outdoor, wall installation for PTZ dome camera
Dimensions (L x W x H)	230.3mm x 141mm x 201.5mm (9.1" x 5.6" x 7.9")
Weight	0.79kg (1.74lb)
Material	Aluminum alloy

Dimensions



R010422 | Product specifications and availability are subject to change without notice.

© i-PRO Co., Ltd. All Rights Reserved. i-PRO, Viewnetcam.com, Advidia, VideoInsight, CloUDE, and Unified Digital Evidence are registered trademarks or trademarks of i-PRO Co., Ltd. or i-PRO Americas Inc. in various jurisdictions. All other trademarks are the property of their respective owners.