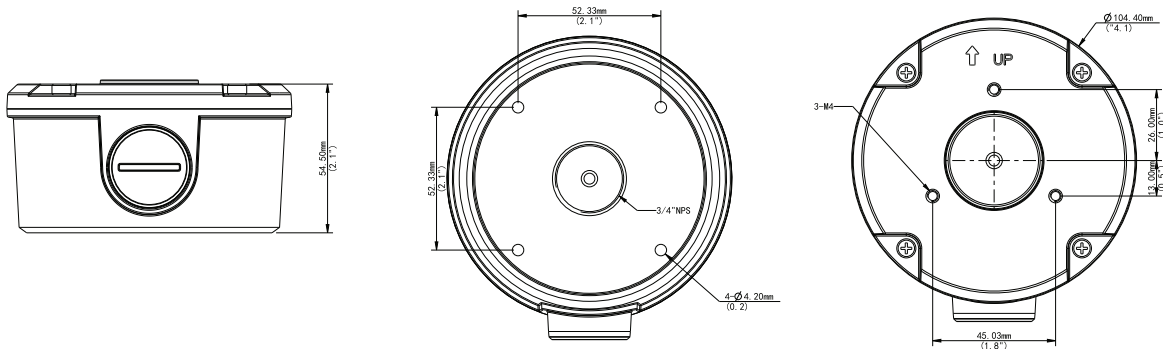




Technical Specifications

Application	Junction Box for Bullet Camera
Dimensions	Φ104.4mm*54.5mm (4.11" x 2.15")
Weight	0.36kg (0.79lb)
Material	Aluminum Alloy

Dimensions



R010422 | Product specifications and availability are subject to change without notice.

© i-PRO Co., Ltd. All Rights Reserved. i-PRO, Viewnetcam.com, Advidia, VideoInsight, CloUDE, and Unified Digital Evidence are registered trademarks or trademarks of i-PRO Co., Ltd. or i-PRO Americas Inc. in various jurisdictions. All other trademarks are the property of their respective owners.