

# WV-SBV131M

2MP (1080p) Rugged Mobile Network Camera

## Compact Dome Network camera

2MP (1080p) / 1,920 x 1,080 H.264 2MP (1080p) Rugged Mobile Network Camera



- 2MP (1080p) images up to 30 fps
- Wide Dynamic Range
- High sensitivity with Day/Night (Electrical) function: 0.1 lx (Color), 0.06 lx (B/W) at F2.2
- Fog compensation function equipped as standard
- IP6K9K
- Achieves high-level vibration resistance with EN50155 and MIL-STD-810G compliance
- NDAA Compliant



# SPECIFICATIONS

Camera	
Image Sensor	1/3 type MOS image sensor
Scanning Mode	Progressive
Scanning Area	5.28 mm (H) x 3.30 mm (V) {7/32 inches (H) x 1/8 inches (V)}
Minimum Illumination	Color: 0.1 lx (F2.2, Maximum shutter : Off (1/30s), AGC : High) 0.007 lx (F2.2, Maximum shutter : Max. 16/30s, AGC : High) BW: 0.06 lx (F2.2, Maximum shutter : Off (1/30s), AGC : High) 0.004 lx (F2.2, Maximum shutter : Max. 16/30s, AGC : High)
White Balance	AWC (2,000 ~ 10,000 K), ATW1 (2,700 ~ 6,000 K), ATW2 (2,000 ~ 6,000 K)
Light Control Mode	ELC / Indoor scene 50 Hz / Indoor scene 60 Hz
Wide Dynamic Range	On / Off
Adaptive Black Stretch	On / Off (only when Wide dynamic range : Off)
Fog Compensation	On / Off (only when Wide dynamic range : Off)
High Light Compensation (HLC)	On / Off (only when Wide dynamic range / Back light compensation (BLC): Off)
AGC	On (High) / On (Mid) / On (Low) / Off
Maximum Shutter	max. 1/10,000 s, max. 1/4,000 s, max. 1/2,000 s, max. 1/1,000 s, max. 1/500 s, max. 1/250 s, max. 1/120 s, max. 1/100 s, max. 2/120 s, max. 2/100 s, max. 3/120 s, max. 3/100 s, max. 1/30 s, max. 2/30 s, max. 4/30 s, max. 6/30 s, max. 10/30 s, max. 16/30 s
Day/Night (Electrical)	Off / Auto
Digital Noise Reduction	High / Low
Video Motion Detection	On / Off, 4 areas available
Privacy Zone	On / Off (up to 8 zones available)
VIQS	On / Off (Max. 8 locations)
Camera Title (OSD)	Up to 20 characters (alphanumeric characters, marks), On / Off
Focus Adjustment	MANUAL
Lens	
Focal Length	1.95 mm {1/16 inches}
Digital (electronic) zoom	Choose from 3 levels of x1, x2, x4
Zoom ratio	x1 WV-SBV131M : Extra zoom x3 (16 : 9 mode) / x2.5 (4 : 3 mode) WV-SBV111M : Extra zoom x2
Angular Field of View	[16 : 9 mode] Horizontal : 109 ° Vertical : 73 ° [4 : 3 mode] Horizontal : 97 ° Vertical : 79 °
F Number	F2.2
Focus Distance	0.5 m - ∞
Adjusting Angle	
Adjusting Angle	Horizontal : ±170 °, Vertical : ±90 ° Image tilt adjustment range : -170 ° (Left) to +170 ° (Right)

Browser GUI	
Camera Control	Brightness
Display Mode	Spot, Quad: Image from 16 cameras can be displayed in 4 different Quad screens or 16 split screen (JPEG only). 20 characters camera title available.
Camera Title	Up to 20 alphanumeric characters
Clock Display	Time : 12H/24H Date : 5 formats on the browser Summer time (Manual)
One Shot Capture	A still picture will be displayed on a newly opened window.
SD Memory Data Download	Still or motion Images recorded in the SDXC/SDHC/SD memory card can be downloaded.
GUI/Setup Menu Language	English, Italian, French, German, Spanish, Portuguese, Russian, Chinese, Japanese
System Log	Up to 100 (Internal), Up to 4,000 (SDXC/SDHC/SD memory when the recording format is set to JPEG.) error logs
Supported OS	Microsoft® Windows® 10, Microsoft® Windows® 8.1, Microsoft® Windows® 8, Microsoft® Windows® 7
Supported Browser	Windows® Internet Explorer® 11 (32 bit) Windows® Internet Explorer® 10 (32 bit) Windows® Internet Explorer® 9 (32 bit) Windows® Internet Explorer® 8 (32 bit)

Network	
Network IF	10Base-T / 100Base-TX, M12 connector (female)
Image Resolution	<ul style="list-style-type: none"> <li>•2 mega pixel [16 : 9]</li> <li>H.264 (1)(2) / JPEG (1)(2)(3)</li> <li>1,920 x 1,080 / 1,280 x 720 / 640 x 360 / 320 x 180 / 160 x 90</li> <li>H.264 (3)(4)</li> <li>1,280 x 720 / 640 x 360 / 320 x 180 / 160 x 90</li> <li>•2 mega pixel [4 : 3]</li> <li>H.264 (1)(2) / JPEG (1)(2)(3)</li> <li>1,600 x 1,200 / 1,280 x 960 / 800 x 600 / VGA / 400 x 300 / QVGA / 160 x 120</li> <li>H.264 (3)(4)</li> <li>1,280 x 960 / 800 x 600 / VGA / 400 x 300 / QVGA / 160 x 120</li> <li>•3 mega pixel [4 : 3] * Used by super resolution techniques</li> <li>H.264 (1)(2) / JPEG (1)(2)(3)</li> <li>2,048 x 1,536 / 1,280 x 960 / 800 x 600 / VGA / 400 x 300 / QVGA / 160 x 120</li> <li>H.264 (3)(4)</li> <li>1,280 x 960 / 800 x 600 / VGA / 400 x 300 / QVGA / 160 x 120</li> </ul>
H.264 MPEG-4	<p>[Transmission Mode] Constant bit rate / Variable bit rate / Framerate priority / Best effort / Advanced VBR</p> <p>[Frame Rate] 1 / 3 / 5 / 7.5 / 10 / 12 / 15 / 20 / 30 fps</p> <p>[Bit Rate/Client] 64 / 128 / 256 / 384 / 512 / 768 / 1,024 / 1,536 / 2,048 / 3,072 / 4,096 / 6144* / 8,192* / 10,240* / 12,288* / 14,336* / 16,384* / 20,480* / 24,576* / 30,720* / 40,960 kbps* * The available range of the H.264 bit rate varies depending on the setting selected for "image capture size".</p> <p>[Image Quality] &lt;When Constant bit rate or Best effort is selected&gt; Low / Normal / Fine &lt;When Variable bit rate is selected&gt; 0 SUPER FINE / 1 FINE / 2 / 3 / 4 / 5 NORMAL / 6 / 7 / 8 / 9 LOW</p> <p>[Smart Coding mode] On (Low / Mid / High) / Off (Only when "Variable bit rate" is selected)</p> <p>[Transmission Type] UNICAST / MULTICAST</p>
JPEG	<p>[Image Quality] 10 steps</p> <p>[Refresh interval] 0.1 fps - 30 fps</p> <p>[Transmission Type] PULL / PUSH</p>
Total Bit Rate	64 / 128 / 256 / 384 / 512 / 768 / 1,024 / 2,048 / 4,096 / 8,192 kbps / Unlimited

Supported Protocol	IPv6: TCP/IP, UDP/IP, HTTP, HTTPS, RTP, FTP, SMTP, DNS, NTP, SNMP, DHCPv6, MLD, ICMP, ARP IPv4: TCP/IP, UDP/IP, HTTP, HTTPS, RTSP, RTP, RTP/RTCP, FTP, SMTP, DHCP, DNS, DDNS, NTP, SNMP, UPnP, IGMP, ICMP, ARP
FTP Client	Alarm image transmission, FTP periodic transmission (When the FTP transmission is failed, backup on an optional SDXC/SDHC/SD memory card is available.)
No. of Simultaneous Users	Up to 14 users (Depends on network conditions)
SDXC/SDHC/SD Memory Card (Option)	Manufactured by Panasonic (except miniSD card and microSD card) SDXC memory card : 64 GB, 128 GB SDHC memory card : 4 GB, 8 GB, 16 GB, 32 GB SD memory card : 256 MB, 512 MB, 1 GB, 2 GB
Cellular Phone Compatibility	JPEG image
Mobile Terminal Compatibility	iPad, iPhone, iPod touch (iOS 4.2.1 or later) , Android™ mobile terminals

## Alarm

Alarm Source	VMD, Command alarm
Alarm Actions	SDXC/SDHC/SD memory recording, E-mail notification, Indication on browser, FTP image transfer, TCP alarm notification output
Alarm Log	With SDXC/SDHC/SD memory card: 5,000 logs, without SDXC/SDHC/SD memory card: 1,000 logs
Schedule	VMD

## General

Safety/EMC Standard	<Safety> UL (UL60950-1), C-UL (CAN/CSA C22.2 No.60950-1), CE, IEC60950-1 <EMC> FCC Part15 ClassA, ICES003 ClassA, EN55022 ClassB, EN55035
Power Source and Power Consumption	PoE (IEEE802.3af compliant) / PoE (Alternative A) : 48 V DC : 80 mA / Approx.3.8 W (Class 2 device)
Ambient Operating Temperature	-40 °C to +60 °C [-40 °F to 140 °F] (Power On range : -30 °C to +60 °C [-22 °F to 140 °F])
Ambient Operating Humidity	10 % to 90 % (no condensation)
Impact Protection	Compliant with IK10 (IEC 62262)
Water and Dust Resistance	IP66 (IEC60529), IP6K9K, Type 4X (UL50), NEMA 4X compliant
Railway Application	EN50155-T3, EN50121, ECE-R10, EN45545, EN50498
Dimensions	100 mm {3-15/16 inches} (W), 80 mm {3-5/32 inches} (H), 161 mm {6-11/32 inches} (D)
Mass (Approx.)	Approx. 750 g {1.65 lbs}
Finish	Main body : Aluminum die cast, Light gray Dome cover : Polycarbonate resin, Clear (with hard coating)
Others	Tamper-resistant dome cover

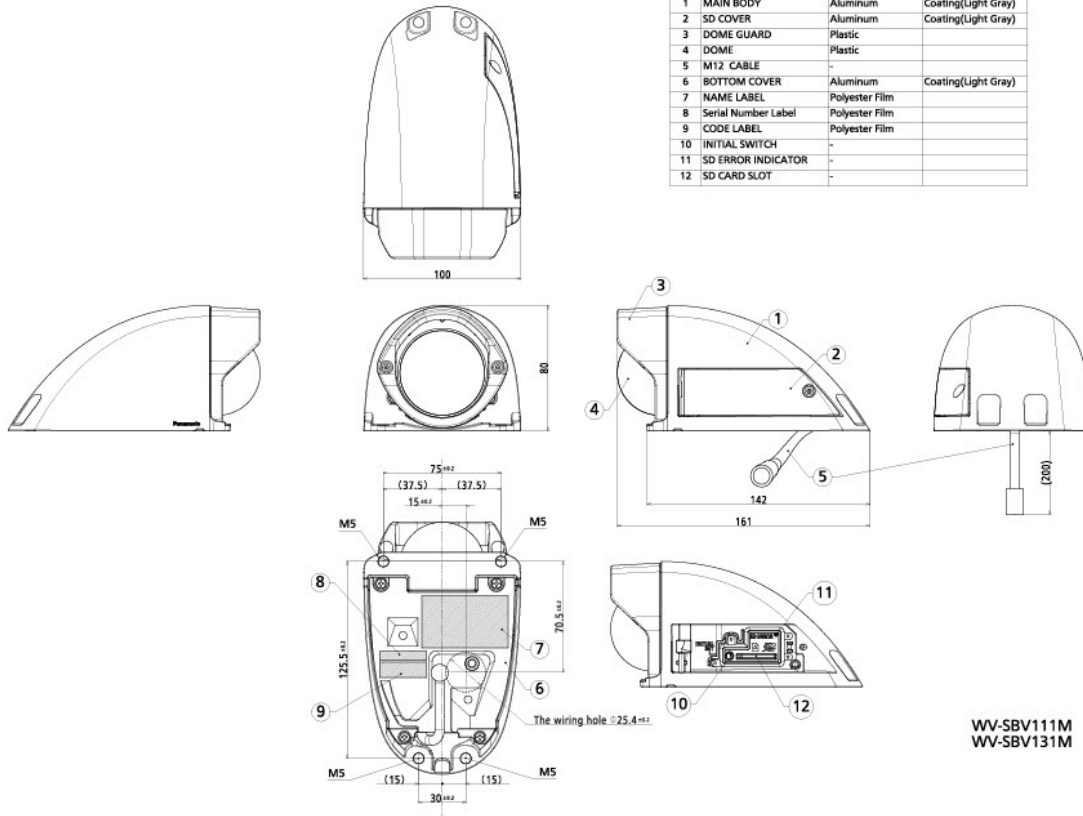
## OPTIONAL ACCESSORIES

Select a compatible accessory

[Accessory Selector \(i-pro.com\)](https://i-pro.com).

# APPEARANCE

No.	Part Name	Material	Process - Remark
1	MAIN BODY	Aluminum	Coating(Light Gray)
2	SD COVER	Aluminum	Coating(Light Gray)
3	DOVE GUARD	Plastic	
4	DOVE	Plastic	
5	M12 CABLE	-	
6	BOTTOM COVER	Aluminum	Coating(Light Gray)
7	NAME LABEL	Polyester Film	
8	Serial Number Label	Polyester Film	
9	CODE LABEL	Polyester Film	
10	INITIAL SWITCH	-	
11	SD ERROR INDICATOR	-	
12	SD CARD SLOT	-	



WV-SBV111M  
WV-SBV131M