

WV-S3131L

2MP (1080p) Indoor Compact Dome Network Camera

Compact & simple design multifunction camera

The WV-S3131L is a compact & simple design multifunction camera that achieves high visibility even under extreme conditions and can be placed in a small space without damaging the landscape.



- 2MP (1080p) 1080p up to 60fps
- iA (intelligent Auto)
- Extreme Super Dynamic 144dB
- Color night vision (0.0019 to 0.03 lx)
- H.265 Smart Coding
- Built-in IR LED
- Corridor mode (90 degrees or 270 degrees in image rotation)
- i-VMD License Bundled
- NDAA Compliant



SPECIFICATIONS

Camera	
Image Sensor	Approx. 1/3 type CMOS image sensor
Minimum Illumination	Color : 0.03 lx, BW : 0.015 lx (F2.3, Maximum shutter : Off (1/30s), AGC : 11) BW : 0 lx (F2.3, Maximum shutter : Off (1/30 s), AGC : 11, when the IR LED is lit) Color : 0.0019 lx, BW : 0.0009 lx (F2.3, Maximum shutter : max. 16/30s, AGC : 11)
White Balance	AWC (2,000 - 10,000 K), ATW1 (2,700 - 6,000 K), ATW2 (2,000 - 6,000 K)
Maximum shutter	Max. 1/10000 s to Max. 16/30 s
Intelligent Auto	On / Off
Super Dynamic	On / Off, The level can be set in the range of 0 to 31.
Dynamic Range	Max.144 dB typ. (Super Dynamic : On)
Adaptive Black Stretch	The level can be set in the range of 0 to 255.
Back light compensation / High light compensation	BLC (Back light compensation) / HLC (High light compensation) / Off (only when Super dynamic / Intelligent Auto : Off)
Fog Compensation	On / Off (only when Intelligent auto / auto contrast adjust : Off)
Maximum gain	The level can be set in the range of 0 to 11.
Color/BW (ICR)	Off / On (IR Light Off) / On (IR Light On) / Auto1 (IR Light Off) / Auto2 (IR Light On) / Auto3 (SCC)
IR LED Light	High / Middle / Low / Off, Maximum irradiation distance : 15 m {Approx. 49 ft}
Digital Noise Reduction	The level can be set in the range of 0 to 255.
Video Motion Detection	On / Off, 4 areas available
Intelligent VMD (i-VMD)	Type 4 *Bundled License
Privacy Zone	On / Off, Up to 8 zones available
Image rotation	0 ° / 90 ° / 180 °(Upside-down) / 270 °
Mirror	On / Off
Camera Title (OSD)	On / Off, Up to 20 characters (alphanumeric characters, marks)

Lens	
Zoom ratio	1 x Optical
Digital (electronic) zoom	Choose from 3 levels of x1, x2, x4
Focal Length	2.8 mm {1/8 inches}
Angular Field of View	[16 : 9 mode] Horizontal : 108° Vertical : 60° [4 : 3 mode] Horizontal : 89° Vertical : 66°
Maximum Aperture Ratio	1 : 2.3
Focus range	0.5 m {19-11/16 inches} - ∞

Adjusting Angle	
Adjusting Angle	Horizontal (PAN) angle : $\pm 45^\circ$, Vertical (TILT) angle : 0 to $+90^\circ$, Azimuth (YAW) angle : $\pm 90^\circ$
Browser GUI	
Camera Control	Brightness
GUI/Setup Menu Language	English, Italian, French, German, Spanish, Portuguese, Russian, Chinese, Japanese
Network	
Network IF	10Base-T / 100Base-TX, RJ45 connector
Resolution H.265/ H.264 JPEG (MJPEG)	<ul style="list-style-type: none"> •2 mega pixel [16 : 9] (30/60 fps) 1,920 x 1,080 / 1,280 x 720 / 640 x 360 / 320 x 180 •3 mega pixel [4 : 3] (30 fps) 2,048 x 1,536*5 / 1,280 x 960 / 800 x 600 / 640 x 480 / 400 x 300 / 320 x 240
H.265/ H.264	[Transmission Mode] Constant bit rate / VBR / Frame rate / Best effort [Transmission Type] Unicast / Multicast
JPEG	[Image Quality] 10 steps
Smart Coding	GOP(Group of pictures) control [When H.264 is selected] On(Mid) / On(Low) / Off [When H.265 is selected] On(Frame rate control) / On(Advanced) / On(Mid) / On(Low) / Off Smart Facial Coding* Off / On(AUTO VIQS) / On(Smart Facial Coding) *Smart Facial Coding is only available with Stream(1).
Audio Compression	G.726 (ADPCM) : 16 kbps / 32 kbps G.711 : 64 kbps AAC-LC : 64 kbps / 96 kbps / 128 kbps
Supported Protocol	IPv6 : TCP/IP, UDP/IP, HTTP, HTTPS, RTP, FTP, SMTP, DNS, NTP, SNMP, DHCPv6, MLD, ICMP, ARP, IEEE 802.1X, DiffServ, SSL/TLS, SRTP, SFTP, MQTT, LLDP IPv4 : TCP/IP, UDP/IP, HTTP, HTTPS, RTSP, RTP, RTP/RTCP, FTP, SMTP, DHCP, DNS, DDNS, NTP, SNMP, UPnP, IGMP, ICMP, ARP, IEEE 802.1X, DiffServ, SSL/TLS, SRTP, SFTP, MQTT, LLDP
No. of Simultaneous Users	Up to 14 users (Depends on network conditions)
microSDXC/microSDHC/ microSD Memory Card	H.265 / H.264 recording : Manual REC / Alarm REC (Pre/Post) / Schedule REC / Backup upon network failure JPEG recording : Manual REC / Alarm REC (Pre/Post) / Backup upon network failure Compatible microSDXC/microSDHC/microSD Memory Card : Panasonic 2 GB, 4 GB*, 8 GB*, 32 GB*, 64 GB**model *microSDHC card, **microSDXC card
Mobile Terminal Compatibility	iPad, iPhone, Android™ terminals
ONVIF® Profile	G / S / T
Alarm	
Alarm Source	VMD alarm, Command alarm, Audio detection alarm
Alarm Actions	microSDXC/microSDHC/microSD memory recording, E-mail notification, HTTP alarm notification Indication on browser, FTP image transfer, TCP alarm notification output
Input/Output	
Built-in microphone	Nondirectional electret condenser microphone

General	
Safety	UL (UL60950-1 2Ed), c-UL (CAN/CSA C22. NO.60950-1-07), CE, IEC60950-1
EMC	FCC (Part15 Subpart B, ClassA, SDoC), ICES-003 ClassA, EN55032 ClassB, EN55035
Power Source and Power Consumption	PoE (IEEE802.3af compliant) Device : DC48 V 80 mA, Approx. 3.8 W (Class 2 device)
Ambient Operating Temperature	0 °C to +40 °C (32 °F to 104 °F)
Ambient Operating Humidity	10 to 90 % (no condensation)
Water and Dust Resistance	-
Shock Resistance	-
Railway Application	-
Dimensions	ø104 mm x 51 mm (H) {ø4-3/32 inches x 2 inches (H)} Dome radius 27 mm {1-1/16 inches}
Mass (Approx.)	Approx. 255 g {0.56 lbs}
Finish	Main body : ABS resin, Sail white Dome section : Polycarbonate resin, Clear

NOTES

Important

- Safety Precautions : Carefully read the Basic Information, Installation Guide and Operating Instructions before using this product.
- i-PRO Co., Ltd. cannot be held responsible for the performance of the network and/or other manufacturers' products used on the network.
- Masses and dimensions are approximate. Specifications are subject to change without notice.

Trademarks and registered trademarks

- iPad and iPhone are trademarks of Apple Inc., registered in the U.S. and other countries. - Android is a trademark of Google LLC.
- ONVIF is a trademark of ONVIF, Inc.
- All other trademarks identified herein are the property of their respective owners

©i-PRO Co., Ltd All rights reserved / November 2022

OPTIONAL ACCESSORIES

Select a compatible accessory

[Accessory Selector \(i-pro.com\)](http://i-pro.com).



WV-QWL500-W
Mount Bracket



WV-QPL500-W
Mount Bracket



WV-QJB500-W
Mount Bracket



WV-QCN500-W
Mount Bracket



WV-QCL101-W
Mount Bracket



WV-QCL100-W
Mount Bracket



PAPM4W
Pole Mount Bracket

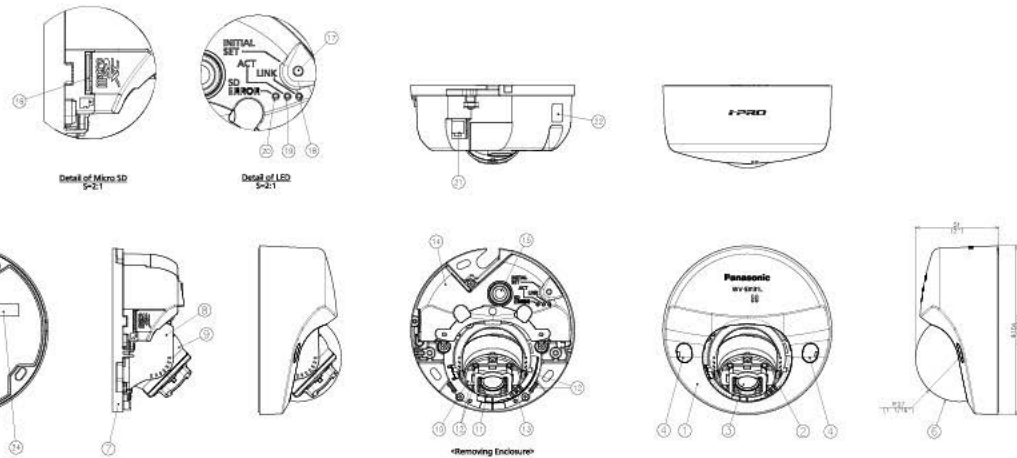


PACA4W
Corner Mount Adapter
Bracket

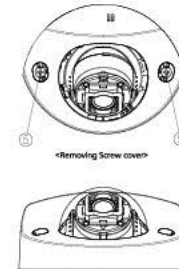
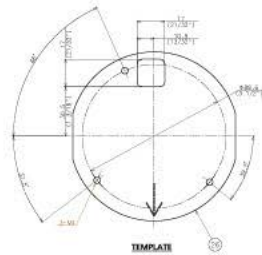


WV-CW6SA
Dome Cover

APPEARANCE



No.	Part Name	Material	Process/Remarks
1	2646	Upper cover	ABS
2	2652040	Connect unit	
3	2647	Lens	
4	2647	Screw cover	ABS
5	1270-01-0016	Enclosure fixing screw	Steel
6	2647	Some cover	PC
7	2647	Lower cover	Aluminum die cast
8	2647	Lens cover	PC/CF 305
9	262231	Lens unit	Black
10	IR LED	IR LED cover	PC/ABS
11	2623	Light-blocking rubber ring	Silicone rubber
12	2647	IR LED	
13	TILT/ANGLE	TILT/ANGLE fixing screw	Steel
14	2647	Inner cover	ABS
15	2647	Built-in microphone	Black
16	100304	LED chip	
17	INITIAL SET	INITIAL SET button	
18	LINK	LINK indicator	
19	ACT	ACT indicator	
20	2647	SD TRAP indicator	
21	2647	RJ45 Network terminal	
22	2647	Data Matrix label	Polyester Film Printing
23	2647	Home plate	Polyester Film Printing
24	2647	Serial number label	Polyester Film Printing
25	2647	Code label	Polyester Film Printing
26	2647	Template	



WV-S3131L