

WV-S3111L

720p Indoor Compact Dome Network Camera

iA (intelligent Auto) H.265 Compact Dome Camera

The WV-S3111L is a compact & simple design multifunction camera that achieves high visibility even under extreme conditions and can be placed in a small space without damaging the landscape.



- HD 720p 60fps
- iA (intelligent Auto)
- Extreme Super Dynamic 134dB
- Color night vision (0.0013 to 0.02 lx)
- H.265 Smart Coding
- Built-in IR LED
- Corridor mode (90 degrees or 270 degrees in image rotation)
- i-VMD License Bundled
- NDAA Compliant



SPECIFICATIONS

Camera	
Image Sensor	Approx. 1/3 type CMOS image sensor
Minimum Illumination	Color : 0.02 lx, BW : 0.01 lx (F2.3, Maximum shutter : Off (1/30s), AGC : 11) BW : 0 lx (F2.3, Maximum shutter : Off (1/30 s), AGC : 11, when the IR LED is lit) Color : 0.0013 lx, BW : 0.0007 lx (F2.3, Maximum shutter : max. 16/30s, AGC : 11)
White Balance	AWC (2,000 - 10,000 K), ATW1 (2,700 - 6,000 K), ATW2 (2,000 - 6,000 K)
Maximum shutter	Max. 1/10000 s to Max. 16/30 s
Intelligent Auto	On / Off
Super Dynamic	On / Off, The level can be set in the range of 0 to 31.
Dynamic Range	Max.134 dB typ. (Super Dynamic : On)
Adaptive Black Stretch	The level can be set in the range of 0 to 255.
Back light compensation / High light compensation	BLC (Back light compensation) / HLC (High light compensation) / Off (only when Super dynamic / Intelligent Auto : Off)
Fog Compensation	On / Off (only when Intelligent auto / auto contrast adjust : Off)
Maximum gain	The level can be set in the range of 0 to 11.
Color/BW (ICR)	Off / On (IR Light Off) / On (IR Light On) / Auto1 (IR Light Off) / Auto2 (IR Light On) / Auto3 (SCC)
IR LED Light	High / Middle / Low / Off, Maximum irradiation distance : 15 m {Approx. 49 ft}
Digital Noise Reduction	The level can be set in the range of 0 to 255.
Video Motion Detection	On / Off, 4 areas available
Intelligent VMD (i-VMD)	Type 4 *Bundled License
Privacy Zone	On / Off (up to 8 zones available)
Image rotation	0 ° / 90 ° / 180 °(Upside-down) / 270 °
Mirror	On / Off
Camera Title (OSD)	On / Off, Up to 20 characters (alphanumeric characters, marks)

Lens	
Zoom ratio	1 x Optical
Digital (electronic) zoom	Choose from 3 levels of x1, x2, x4
Focal Length	2.8 mm {1/8 inches}
Angular Field of View	[16 : 9 mode] Horizontal : 97° Vertical : 54° [4 : 3 mode] Horizontal : 97° Vertical : 72°
Maximum Aperture Ratio	1 : 2.3
Focus range	0.5 m {19-11/16 inches} - ∞

Adjusting Angle	
Adjusting Angle	Horizontal (PAN) angle : $\pm 45^\circ$, Vertical (TILT) angle : 0 to $+90^\circ$, Azimuth (YAW) angle : $\pm 90^\circ$
Browser GUI	
Camera Control	Brightness
GUI/Setup Menu Language	English, Italian, French, German, Spanish, Portuguese, Russian, Chinese, Japanese
Network	
Network IF	10Base-T / 100Base-TX, RJ45 connector
Resolution H.265/ H.264 JPEG (MJPEG)	<ul style="list-style-type: none"> •1.3 mega pixel [16 : 9] (30/60 fps) 1,280 x 720 / 640 x 360 / 320 x 180 •1.3 mega pixel [4 : 3] (30 fps) 1,280 x 960 / 800 x 600 / 640 x 480 / 400 x 300 / 320 x 240
H.265/ H.264	[Transmission Mode]Constant bit rate / VBR / Frame rate / Best effort [Transmission Type]Unicast / Multicast
JPEG	[Image Quality]10 steps
Smart Coding	GOP(Group of pictures) control [When H.264 is selected] On(Mid) / On(Low) / Off [When H.265 is selected] On(Frame rate control) / On(Advanced) / On(Mid) / On(Low) / Off Smart Facial Coding* Off / On(AUTO VIQS) / On(Smart Facial Coding) *Smart Facial Coding is only available with Stream(1).
Audio Compression	G.726 (ADPCM) : 16 kbps / 32 kbps G.711 : 64 kbps AAC-LC : 64 kbps / 96 kbps / 128 kbps
Supported Protocol	IPv6 : TCP/IP, UDP/IP, HTTP, HTTPS, RTP, FTP, SMTP, DNS, NTP, SNMP, DHCPv6, MLD, ICMP, ARP, IEEE 802.1X, DiffServ, SSL/TLS, SRTP, SFTP, MQTT, LLDP IPv4 : TCP/IP, UDP/IP, HTTP, HTTPS, RTSP, RTP, RTP/RTCP, FTP, SMTP, DHCP, DNS, DDNS, NTP, SNMP, UPnP, IGMP, ICMP, ARP, IEEE 802.1X, DiffServ, SSL/TLS, SRTP, SFTP, MQTT, LLDP
No. of Simultaneous Users	Up to 14 users (Depends on network conditions)
microSDXC/microSDHC/ microSD Memory Card	H.265 / H.264 recording : Manual REC / Alarm REC (Pre/Post) / Schedule REC / Backup upon network failure JPEG recording : Manual REC / Alarm REC (Pre/Post) / Backup upon network failure Compatible microSDXC/microSDHC/microSD Memory Card : Panasonic 2 GB, 4 GB*, 8 GB*, 32 GB*, 64 GB**model *microSDHC card, **microSDXC card
Mobile Terminal Compatibility	iPad, iPhone, Android™ terminals
Alarm	
Alarm Source	VMD alarm, Command alarm, Audio detection alarm
Alarm Actions	microSDXC/microSDHC/microSD memory recording, E-mail notification, HTTP alarm notification Indication on browser, FTP image transfer, TCP alarm notification output
Input/Output	
Built-in microphone	Nondirectional electret condenser microphone
General	
Safety	UL (UL60950-1 2Ed), c-UL (CAN/CSA C22. NO.60950-1-07), CE, IEC60950-1
EMC	FCC (Part15 Subpart B, ClassA, SDoC), ICES-003 ClassA, EN55032 ClassB, EN55035
Power Source and Power Consumption	PoE (IEEE802.3af compliant) Device : DC48 V 80 mA, Approx. 3.8 W (Class 2 device)
Ambient Operating Temperature	0 °C to +40 °C (32 °F to 104 °F)

Ambient Operating Humidity	10 to 90 % (no condensation)
Dimensions	ø104 mm x 51 mm (H) {ø4-3/32 inches x 2 inches (H)} Dome radius 27 mm {1-1/16 inches}
Mass (Approx.)	Approx. 255 g {0.56 lbs}
Finish	Main body : ABS resin, Sail white Dome section : Polycarbonate resin, Clear

NOTES

Important

- Safety Precautions : Carefully read the Basic Information, Installation Guide and Operating Instructions before using this product.
- i-PRO Co., Ltd. cannot be held responsible for the performance of the network and/or other manufacturers' products used on the network.
- Masses and dimensions are approximate. Specifications are subject to change without notice.

Trademarks and registered trademarks

- iPad and iPhone are trademarks of Apple Inc., registered in the U.S. and other countries. - Android is a trademark of Google LLC.
- ONVIF is a trademark of ONVIF, Inc.
- All other trademarks identified herein are the property of their respective owners

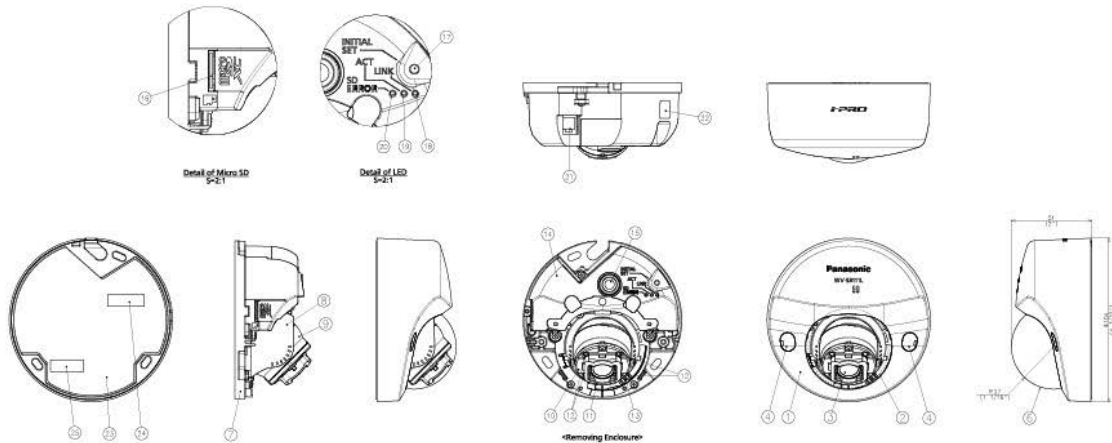
©i-PRO Co., Ltd All rights reserved / November 2022

OPTIONAL ACCESSORIES

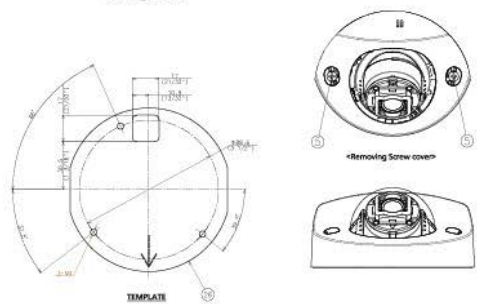
Select a compatible accessory

[Accessory Selector \(i-pro.com\)](https://i-pro.com).

APPEARANCE



No.	Call	Part Name	Material	Process/Remarks
1	1264	Upper cover	ABS	Sail White + Printing
2	1273244	Camera unit		
3	1264	Lens		
4	12650	Screw cover	ABS	Sail White
5	1273244-001	Enclosure fixing screw	Steel	
6	1264	Screw cover	PC	Clear
7	1264	Lens cover	Aluminum die cast	Black
8	1273244	Lens unit		
10	1273244	IR LED cover	PCABS	Black
11	1264	Light-blocking rubber ring	Silicone rubber	Black
12	1273244	IR LED		
13	1273244	TUL/TAH fixing screw	Steel	
14	1264	Lens cover	ABS	Black
15	1264	Built-in microphone		
16	1264	IR slot		
17	INITIAL SET	INITIAL SET button		
18	LINK	LINK indicator		
19	ACT	ACT indicator		
20	SD	SD ERROR indicator		
21	1273244	RJ45 Network terminal		
22	1273244	Sold Matrix label	Polyester Film	Printing
23	1264	Home plate	Polyester Film	Printing
24	1273244	Serial number label	Polyester Film	Printing
25	1273244	Soda label	Polyester Film	Printing
26	1264	Template		



WV-S3111L