

Installation Guide

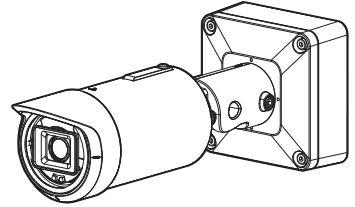
Included Installation Instructions

Network Camera

For professional use only

Outdoor use

Model No. WV-X15700-V2L
WV-X15600-V2L
WV-X15500-V3L
WV-X15300-V3L



WV-X15700-V2L

About the user manuals

Product documentation is composed of the following documents.

- **Installation Guide (this document):** Provides information about "Precautions", "Precautions for installation" and the installation method.
- **Web Guide (Refer to the the link on the following product information website):** Includes installation videos, basic functions, and basic operation methods for this device.
- **User manual (Refer to the link on the following product information website):** This section describes the software operating instructions common to each model.
https://i-pro.com/products_and_solutions/en/surveillance/documentation-database



"<Control No.: C****>" used in these documents should be used to search for information on our technical information website (https://i-pro.com/products_and_solutions/en/surveillance/learning-and-support/knowledge-base/technical-information) and will guide you to the right information.



- Before attempting to connect or operate this product, please read these instructions carefully and save Important Safety Instructions leaflet for future use.
- microSDXC/ microSDHC/ microSD memory card is described as microSD memory card.
- The external appearance and other parts shown in this manual may differ from the actual product within the scope that will not interfere with normal use due to improvement of the product.

i-PRO Co., Ltd.

Tokyo, Japan

<https://www.i-pro.com/>

Authorised Representative in EU:
i-PRO EMEA B.V.
Laarderhoogtweg 25, 1101 EB
Amsterdam, Netherlands

i-PRO EMEA B.V. UK Branch
1010 Cambourne Business Park,
Cambridgeshire CB23 6DP



Disposal of Old Equipment and Batteries
Only for European Union and countries with recycling systems



These symbols on the products, packaging, and/or accompanying documents mean that used electrical and electronic products and batteries must not be mixed with general household waste. For proper treatment, recovery and recycling of old products and used batteries, please take them to applicable collection points in accordance with your national legislation.

By disposing of them correctly, you will help to save valuable resources and prevent any potential negative effects on human health and the environment.

For more information about collection and recycling, please contact your local authority.

Penalties may be applicable for incorrect disposal of this waste, in accordance with national legislation.



Note for the battery symbol (bottom symbol)

This symbol might be used in combination with a chemical symbol. In this case it complies with the requirement set by the Directive for the chemical involved.

For U.S.A. _____

NOTE: This equipment has been tested and found to comply with the limits for a Class A digital device, pursuant to Part 15 of the FCC Rules. These limits are designed to provide reasonable protection against harmful interference when the equipment is operated in a commercial environment. This equipment generates, uses, and can radiate radio frequency energy and, if not installed and used in accordance with the instruction manual, may cause harmful interference to radio communications.

Operation of this equipment in a residential area is likely to cause harmful interference in which case the user will be required to correct the interference at his own expense.

FCC CAUTION: Changes or modifications not expressly approved by the party responsible for compliance could void the user's authority to operate the equipment.

Supplier's Declaration of conformity



Trade name : i-PRO

Model No. : WW-X15700-V2L, WW-X15600-V2L
 WW-X15500-V3L, WW-X15300-V3L

Responsible Party :

i-PRO Americas Inc.

8550 Fallbrook Drive, Suite 200 Houston,
 Texas 77064

Support Contact: 1-800-513-5417

For U.S.A. _____

The model number and serial number of this product may be found on the surface of the unit.

You should note the model number and serial number of this unit in the space provided and retain this book as a permanent record of your purchase to aid identification in the event of theft.

Model No. _____

Serial No. _____

For U.S.A. _____

This device complies with part 15 of the FCC Rules.

Operation is subject to the following two conditions : (1) This device may not cause harmful interference, and (2) this device must accept any interference received, including interference that may cause undesired operation.

For Canada _____

CAN ICES-3(A)/NMB-3(A)

Méthode d'installation	Vis de fixation recommandée	La capacité de traction minimale requise
Monter directement la caméra vidéo sur la surface d'installation.	M4 x 16 mm {5/8 pouces} / 4 él.	724 N {163 lbf}
Installer la caméra vidéo sur une boîte de groupe/boîte de jonction.		
Installer la caméra vidéo à l'aide de la platine de fixation d'installation exclusivement conçue.	Se référer au manuel d'utilisation de chaque platine de fixation.	

* La longueur de la vis est un exemple lors de l'installation de la caméra au plafond ou sur un mur robuste d'une épaisseur de 20 mm {25/32 pouces} ou plus.

WARNING:

- Operation of this product in a residential environment could cause radio interference.

Caution:

- The DC power supply connected to the camera must be in the same building.
- The network camera is only intended for a connection to an ethernet or PoE network without routing to the outside plant.
- This product has no power switch. Be sure to install disconnect devices such as a circuit breaker to shut down the main power of power supplying equipment to this product.
- Only connect 12 V DC Class 2 power supply (UL 1310/CSA 223), limited power source (IEC/EN/UL/CSA 60950-1, IEC/EN/UL/CSA 62368-1 Annex Q) or IEC/EN/UL/CSA 62368-1 PS2.
- Before attempting to connect or operate this product, please read these instructions carefully.

Notice:

- This product is not suitable for use in locations where children are likely to be present.
- Do not install this product in locations where ordinary persons can easily reach.
- This product is a professional equipment.
- For information about screws and other parts required for installation, refer to the corresponding section of this document.

■ ■ ■ ■ : Direct current symbol

Precautions

In order to prevent harm to people and damage to property, it explains what must be observed without fail. The safety statements common to all i-PRO network camera models are posted on the website linked from the twodimensional barcode on the right. Please be sure to confirm it.

https://i-pro.com/products_and_solutions/en/surveillance/learning-and-support/knowledge-base/safety-instructions

**■ Do not install this product in a restricted or prohibited environment.**

Failure to observe this may result in injury, accident, or malfunction due to falling.

Please check the safety precautions common to all models on the website above and the installation precautions in the Installation Guide.

■ Refer installation work to the dealer.

Installation work requires technique and experience. Failure to observe this may cause fire, electric shock, injury, or damage to the product. Be sure to consult the dealer.

■ Install the product accurately and securely on an installation surface in accordance with the installation instructions.

Failure to observe this may cause injury or accidents.

■ Take measures of protection against this product falling.

Failure to observe this may cause a drop resulting in injury.

Securely fix the product to the installation surface using screws or anchors. If the fall prevention wire is included, be sure to install it.

■ Stop the operation immediately when something is wrong with this product.

When smoke goes up from the product, the smell of smoke comes from the product, or the exterior of the product has deteriorated, continued use will cause a fire or fall of the product resulting in injury, or damage to property.

In this case, turn the power off immediately and contact qualified service personnel for service.

■ Conduct periodic inspections.

Rust on the metal parts or screws may cause a fall of the product resulting in injury or accidents.

Consult the dealer for the inspections.

Be sure to turn off the power before inspection or maintenance.

Precautions for installation

i-PRO Co., Ltd. assumes no responsibility for injuries or property damage resulting from failures arising out of improper installation or operation inconsistent with this documentation.

■ In order to prevent injury, the product must be securely mounted to an installation surface according to Installation Guide.

■ Installation area for this product

Select an appropriate place for the installation area (such as a strong installation surface) in your particular environment.

- Make sure that the installation area is strong enough to hold this product, such as a concrete ceiling.
- Install the camera in the foundation area of the architecture or where sufficient strength is assured.
- Do not mount the product on a plaster board or a wooden section because they are too weak. If the product is unavoidably mounted on such a section, the section shall be sufficiently reinforced.

■ Do not place this product in the following places

- Locations where a chemical agent is used such as a swimming pool
- Locations subject to moisture or oil smoke such as a kitchen
- Locations that have a specific environment that is subject to an inflammable atmosphere or solvents
- Locations where a radiation, an X-ray, a strong radio wave or a strong magnetic field is generated
- Locations near coasts directly subjected to sea breezes, or locations subject to corrosive gases such as from hot springs, volcanic regions, etc.
- Locations where the temperature is not within the specified range
- Locations subject to vibrations, such as on vehicles, marine vessels, or above product lines (This product is not designed for on-vehicle use.)
- Locations subject to condensation as the result of severe changes in temperature such as near the outdoor unit of an air conditioner.
- Locations near rubber products containing sulfur (packing, rubber feet, etc.)

■ Screw tightening

Do not use an impact driver. Use of an impact driver may damage the screws or cause tightening excessively.

■ About reflection of light from outside or IR light

A ghost may appear on the screen depending on the incident angle of external light.

In the case of using the IR light, installation of a camera near a wall may cause reflection of infrared rays resulting in a part of the screen or the entire screen turning whitish.

- Refer to our technical information website <Control No.: C0109> for image examples and measures to take.

■ Take notice of humidity

Install this product when the humidity is low. If installation is performed when it is raining or in very humid conditions, the inside may be affected by humidity, causing mist-over inside the front panel.

■ Protection from lightning

When cables are used outdoors, there is a chance that they may be affected by lightning. In such a case, install a lightning arrestor close to the camera, and make the length of the network cable between the camera and lightning arrestor as short as possible to prevent the camera from being affected by lightning. Refer to our technical information website <Control No.: C0121>

■ When noise disturbance may happen

Noise may appear in video or audio near a strong electric field from a TV or radio antenna, motors and transformers, or a strong electric field/magnetic field from a power line (lamp line) of AC100 V or more. Conduct the power distribution work to keep 1 m {3.28 feet} away from them or conduct the electric conduit work using metal pipes. (Be sure to make ground connection of the metal pipes.)

■ Equipment classification and power source indication label

Refer to the indication label on the back of the stand base of this unit for the equipment classification, power source, and other information.

■ VCCIについて

この装置は、クラスA機器です。この装置を住宅環境で使用すると電波妨害を引き起こすことがあります。この場合には使用者が適切な対策を講ずるよう要求されることがあります。 VCCI-A

■ About static electricity

Before installing or removing this product, be sure to touch metal objects to discharge static electricity from your body.

Specifications

Power source* ¹ , * ² :	12 V DC PoE+ (IEEE802.3at compliant)
Power consumption* ¹ , * ² :	12 V DC: 1.2 A / approx. 14.2 W PoE+ 54 V DC: 260 mA / approx. 14.0 W (Class 4 device)
Operating environment Ambient operating temperature:	-40 °C to +55 °C* ³ {-40 °F to +131 °F} (Power On range: -30 °C to +55 °C {-22 °F to +131 °F})
Ambient operating humidity:	10 % to 100 % (no condensation)
Storage environment Storage temperature:	-30 °C to +60 °C {-22 °F to +140 °F}
Storage humidity:	10 % to 95 % (no condensation)
Waterproof and dustproof* ⁴ :	IP67/ IP66 (IEC 60529), Type 4X (UL50E), NEMA 4X compliant
Shock resistance:	IK10 (IEC 62262)
Wind resistance:	Up to 40 m/s {approx. 89 mph}
Dimensions:	133 mm (W) × 133 mm (H) × 383 mm (D) {5-1/4 inches (W) × 5-1/4 inches (H) × 15-3/32 inches (L)}
Mass:	Approx. 2.5 kg {5.52 lbs}
Finish:	Main body: Aluminum die cast/resin, i-PRO white Outer fixing screws: Stainless steel (Corrosion-resistant treatment) Front panel: PC resin, Clear Clear (with ClearSight coating)

*1 Refer to our technical information website <Control No.: C0106> for further information about Power source and Power consumption information.

*2 When using a 12 V DC power supply of this product, EXT I/O terminal, audio input, and audio output, an I/O cable (WV-QCA501A: option) is required.

*3 When using with the IR LED light constantly lit, the upper limit of the operating temperature range is +50 °C {+122 °F}.

*4 Only when installation work is properly performed according to the Installation Guide and appropriate waterproof treatment is performed.

Optional accessories



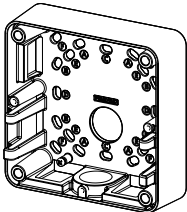
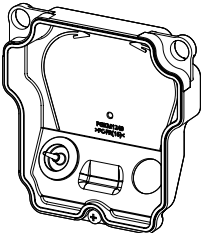
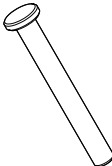
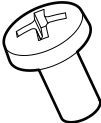
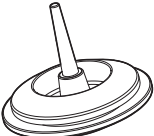
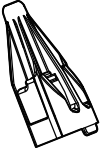

The latest information → Technical information website “Accessory Selector”
<Control No.: C0501>

Troubleshooting

Before requesting service, refer to “Troubleshooting” of Web Guide. Then, confirm the trouble.

Standard accessories

Important Safety Instructions..... 1 pc.

			
Adapter box ×1		Grommet cover ×1	
			
Adapter box mounting pin ×1	Mounting screw M4×8 mm {5/16 inches}×2 (of them, 1 for spare)	Grommet ×2 (of them, 1 for spare)	RJ45 cap ×1
			
COATING		Rain wash coating label ×1 (with ClearSight coating)	

Other items that are needed (not included)

● Mounting screws

Installation method	Recommended screw ¹	Minimum pull-out strength ²
Directly mount the camera onto the installation surface.	M4 × 16 mm {5/8 inches} × 4 pcs.* ^{3, 4}	724 N {163 lbf}
Mount the camera to a two-gangbox/junction box.		
Mount the camera using the exclusively designed mount bracket.	Refer to the operating instructions of each bracket.	

*1 Select screws according to the material of the location that the camera will be mounted to. In this case, wood screws and nails should not be used.

*2 This value indicates the minimum pull-out strength required value per screw. For information about the minimum pull-out strength, refer to our technical information website <Control No.: C0120>.

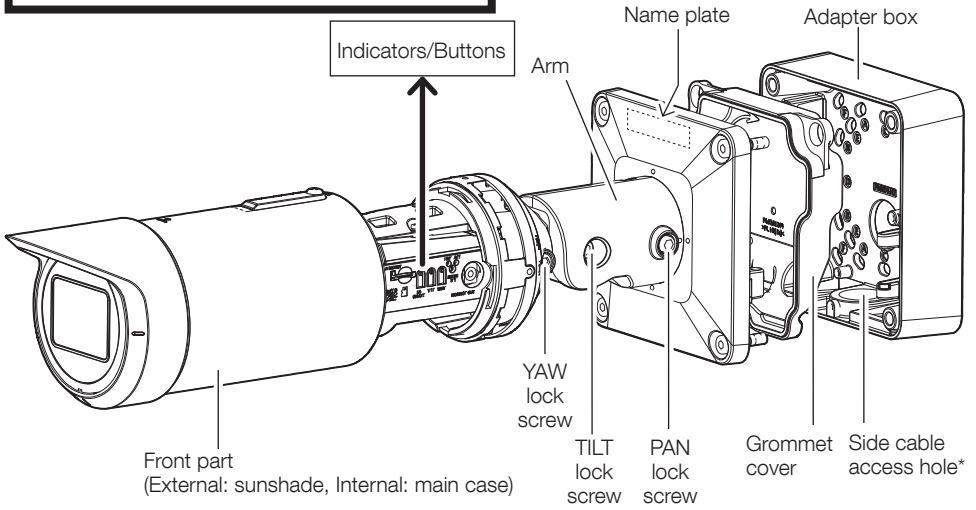
*3 The screw length is an example when installing the camera on a robust installation surface with a thickness of 20 mm {25/32 inches} or more.

*4 Please consider using anti-corrosive mounting screws or caulking.

- Ethernet cable with RJ45 plug (category 5e or better, straight, all 4 pairs (8 pins), less than 100m {328 feet})
- As necessary, audio input cable, audio output cable, alarm I/O cable, power supply cable
- 5 mm {3/16 inches} hexagon wrench

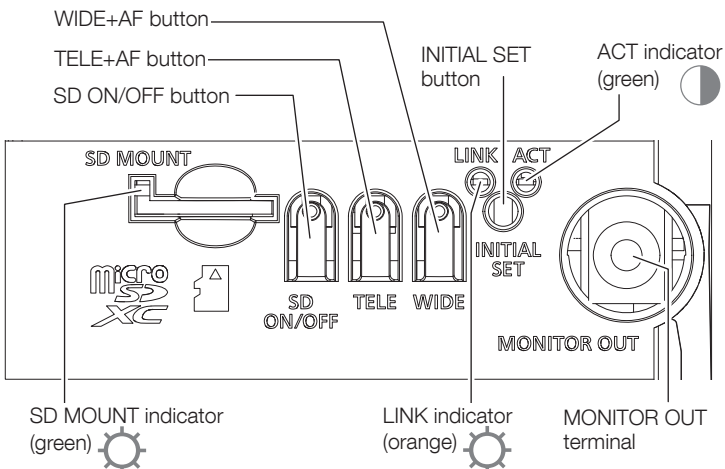
Installation Procedure

Parts and functions



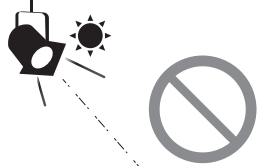
* Conduit connection part
(Compliant with CTG22 of JIS C 8305 (conduit tube threads), or G3/4 of JIS B 0202 (parallel pipe threads))

Indicators/Buttons

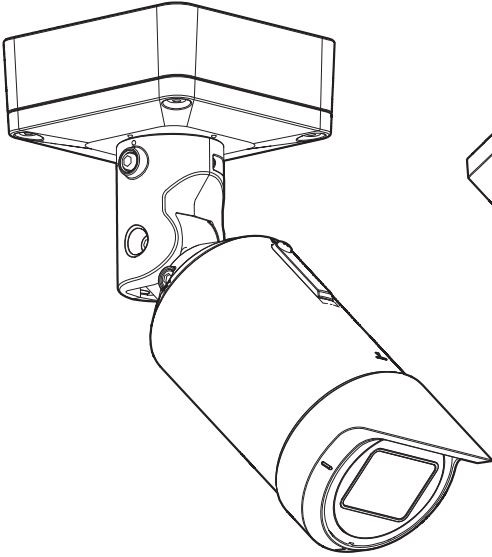


- User manual [Indicator] All LEDs forced to turn off
- User manual "Format"
- It is recommended to use a microSD memory card for i-PRO devices.

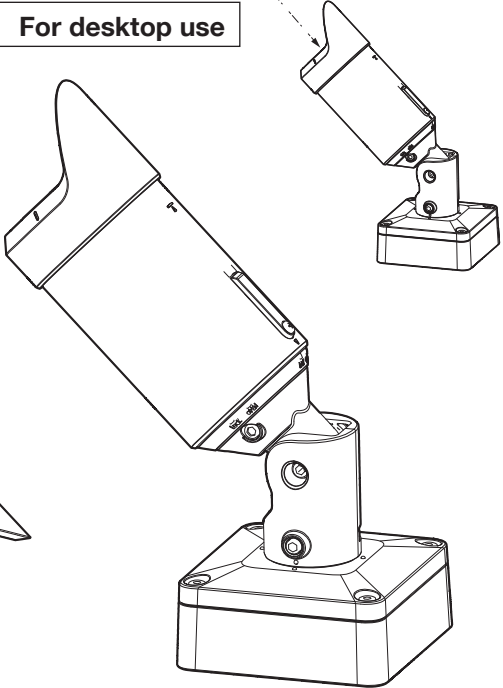
Installation method



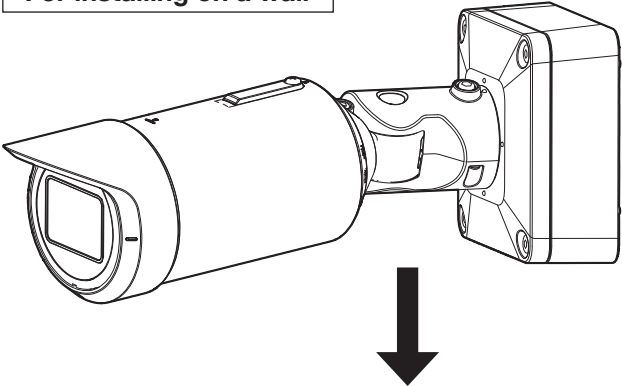
For installing on a ceiling



For desktop use



For installing on a wall

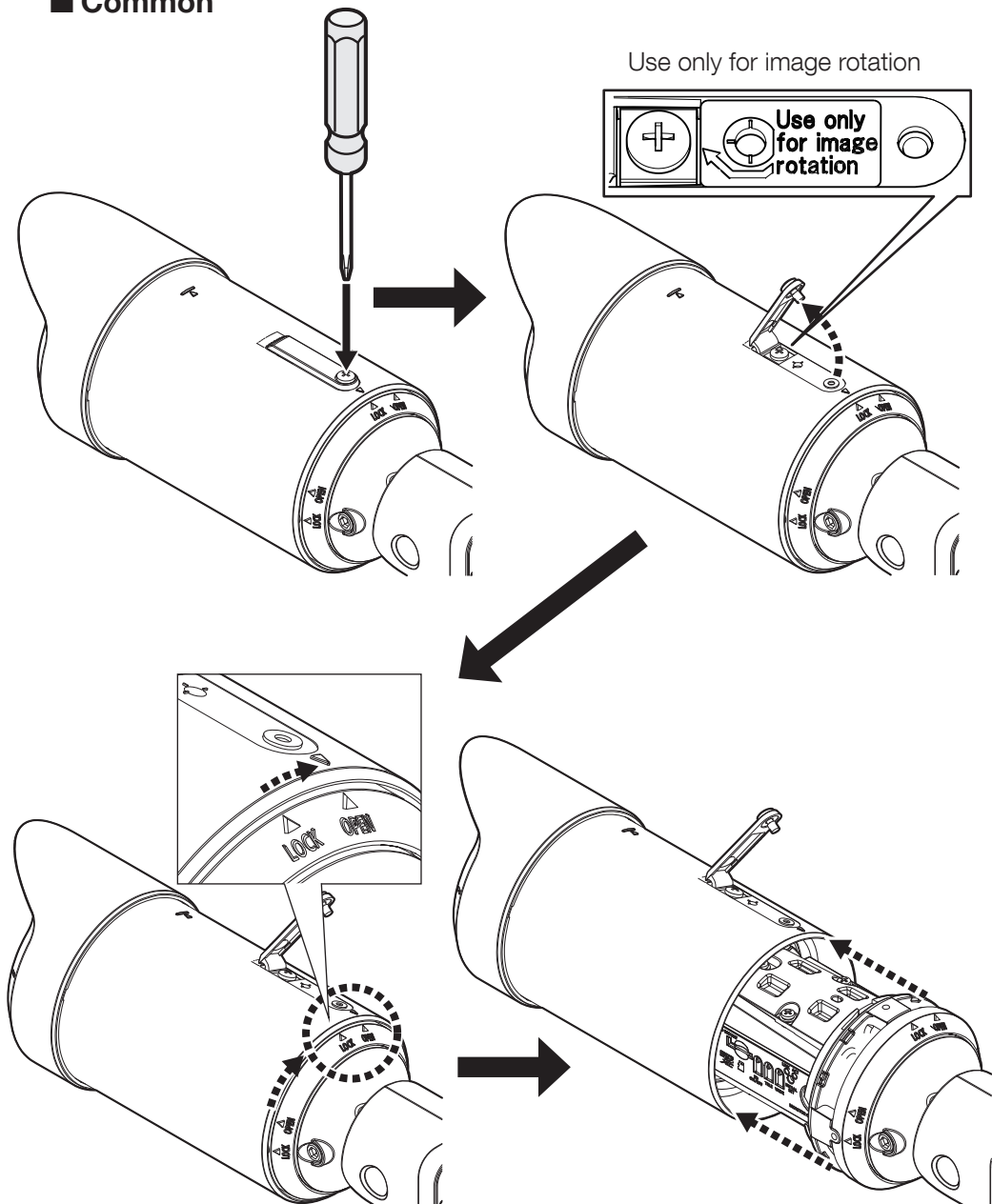


Example of explanation for installation

Step 1

Preparations

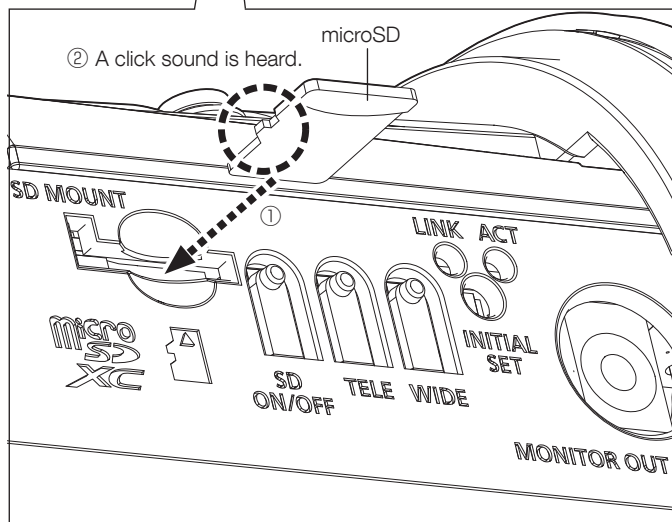
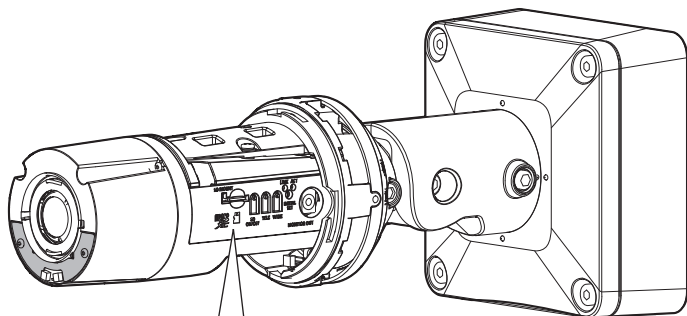
■ Common



Step 1

Preparations (continued)

■ When using a microSD card

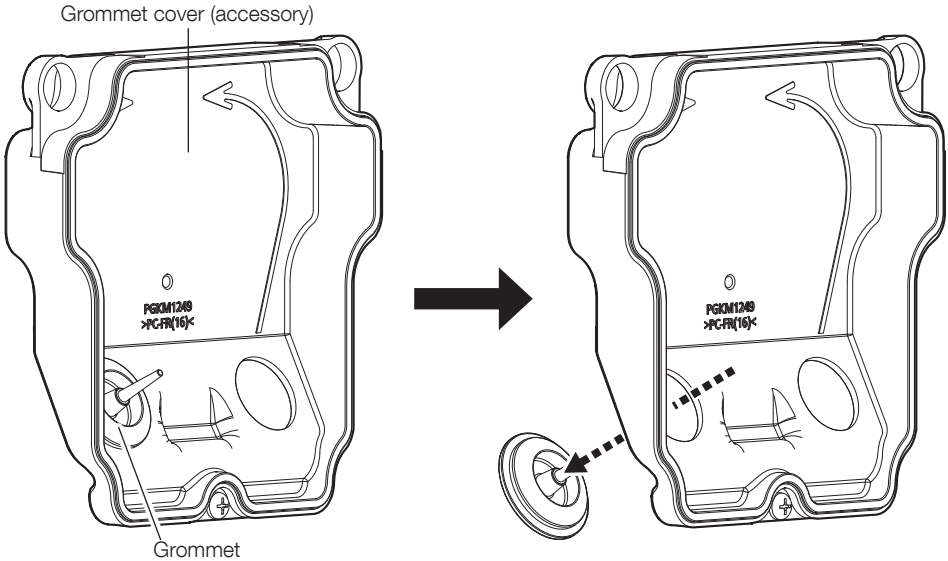


- User manual “Format”
- It is recommended to use a microSD memory card for i-PRO devices.

Step 1

Preparations (continued)

■ When using an I/O cable (WV-QCA501A: option)



Step 2

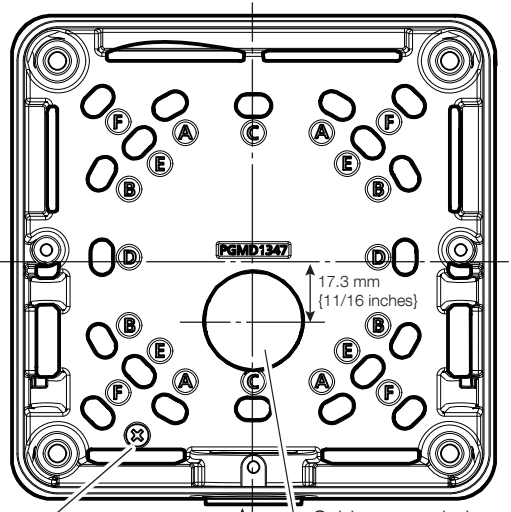
	Vertical direction	Horizontal direction
A	83.5 mm {3-9/32 inches} (82.5 mm {3-1/4 inches})	46 mm {1-13/16 inches} (47.6 mm {1-7/8 inches})
B	46 mm {1-13/16 inches} (47.6 mm {1-7/8 inches})	83.5 mm {3-9/32 inches} (82.5 mm {3-1/4 inches})
C	83.5 mm {3-9/32 inches} (83.3 mm {3-9/32 inches})	-
D	-	83.5 mm {3-9/32 inches} (83.3 mm {3-9/32 inches})
E	63 mm {2-15/32 inches}	63 mm {2-15/32 inches}
F	85.7 mm {3-3/8 inches}	85.7 mm {3-3/8 inches}



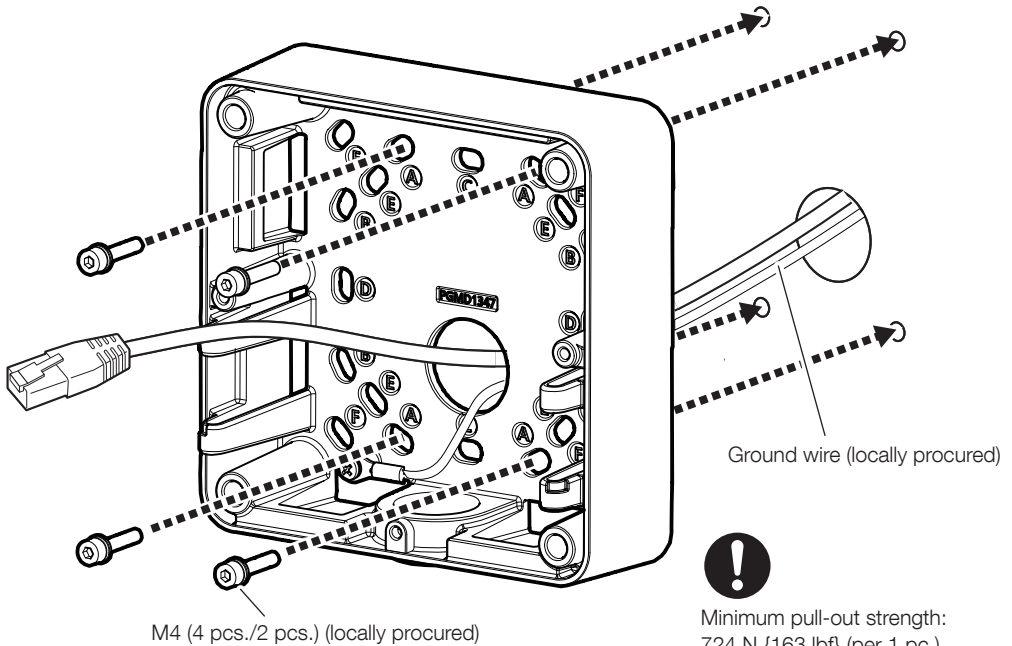
Technical information website
 "Countermeasure for
 Lightning Surge"
 <Control No.: C0121>



M3x8 mm {5/16 inches}
 Screw with spring washer
 Recommended tightening torque:
 0.69 N·m {0.51 lbf·ft}



Cable access hole
 (ø27 mm
 {ø1-1/16 inches})
 Conduit cable access hole



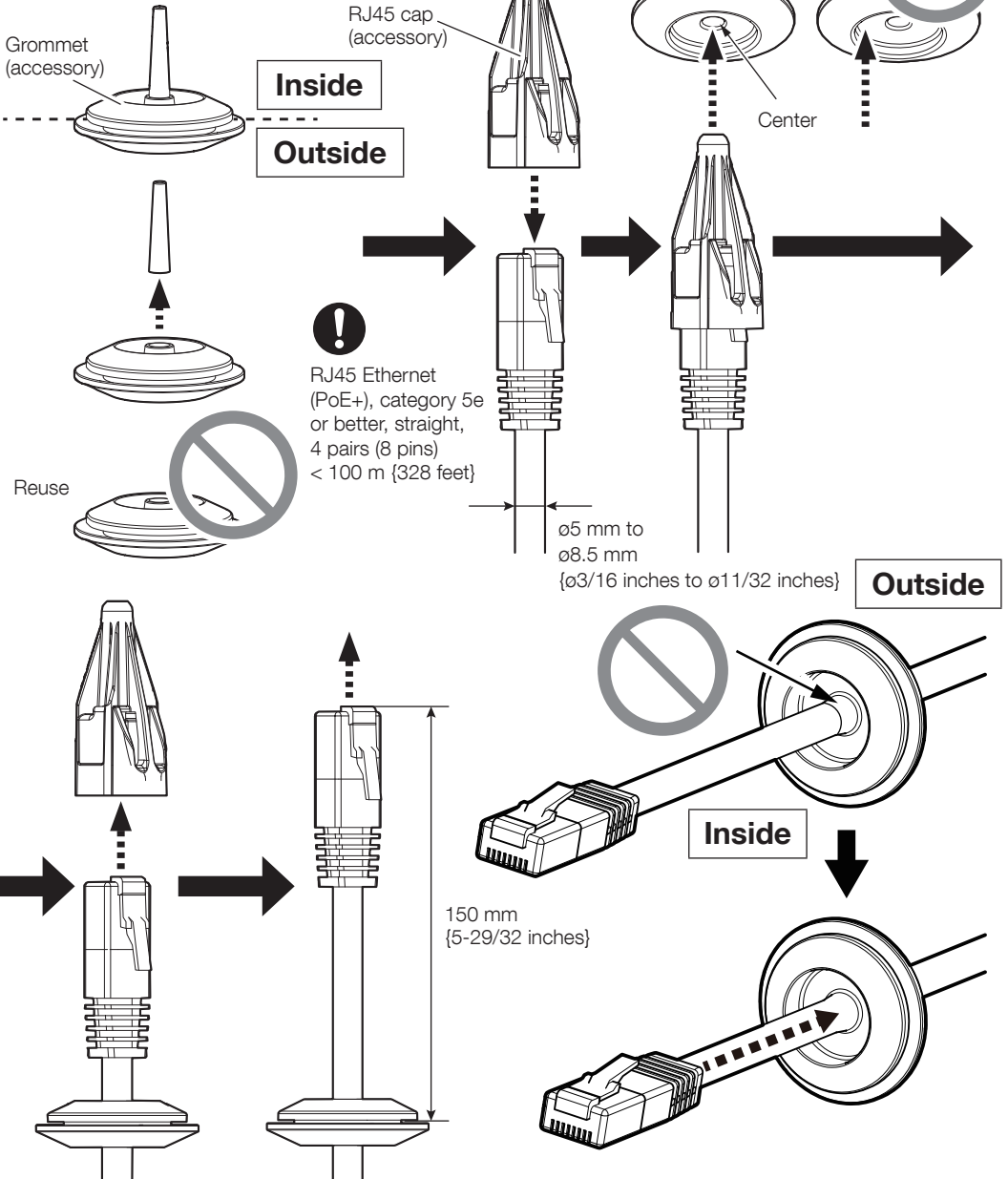
M4 (4 pcs./2 pcs.) (locally procured)



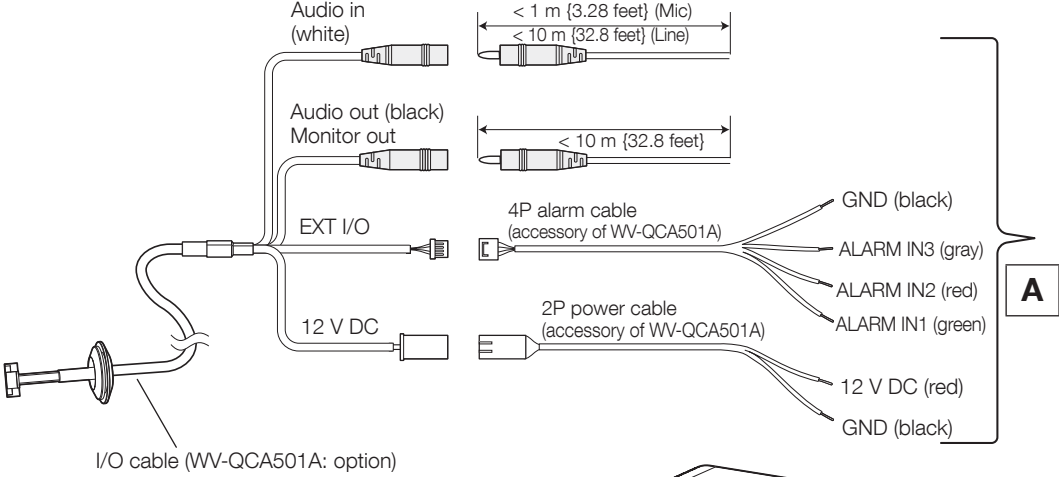
Minimum pull-out strength:
 724 N {163 lbf} (per 1 pc.)

Step 3

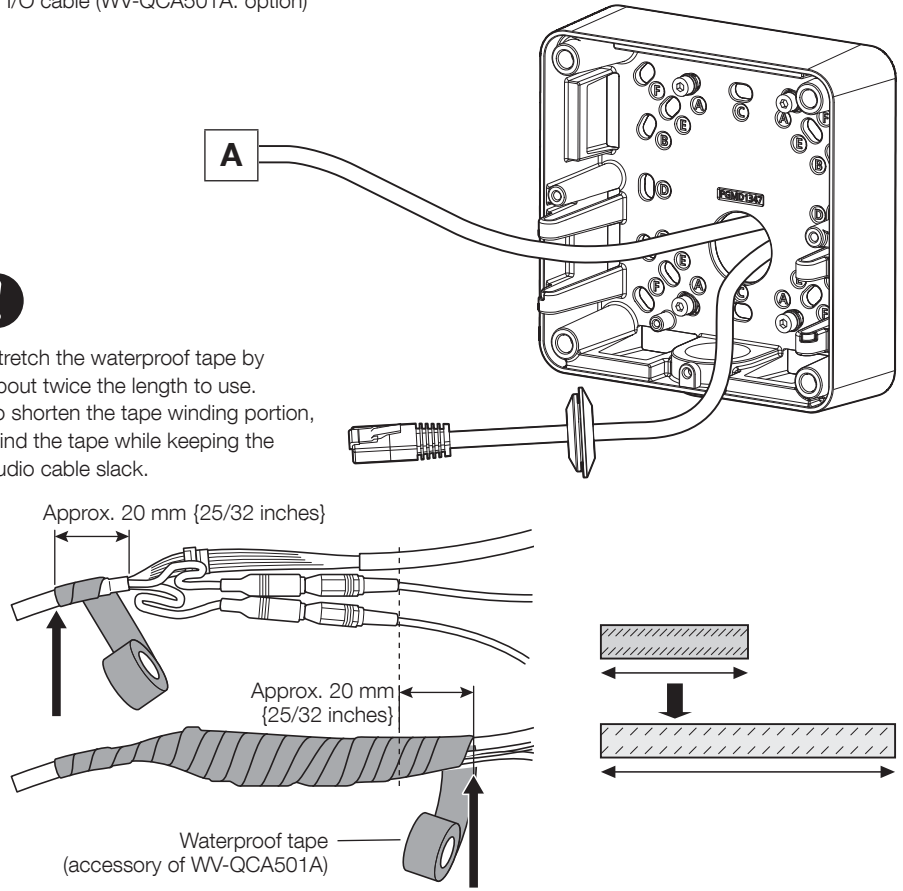
■ Preparations for connecting RJ45 network cable



■ When using an I/O cable (WV-QCA501A: option)



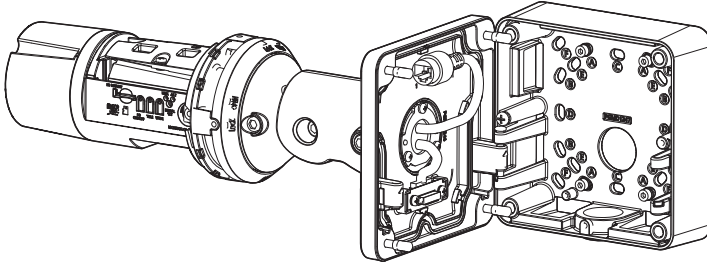
- Stretch the waterproof tape by about twice the length to use.
- To shorten the tape winding portion, wind the tape while keeping the audio cable slack.



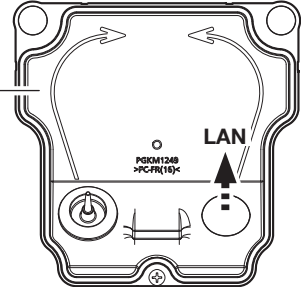
Step 4

The following illustrations are examples when connecting only the RJ45 network cable.

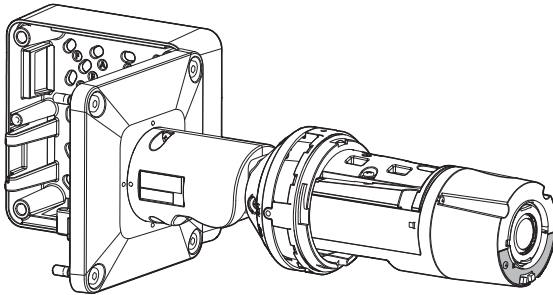
Left-hand opening



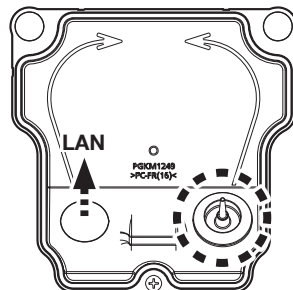
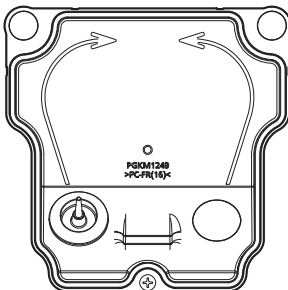
Grommet cover
(At the time of shipment from the factory,
a grommet is attached in the left hole.)



Right-hand opening

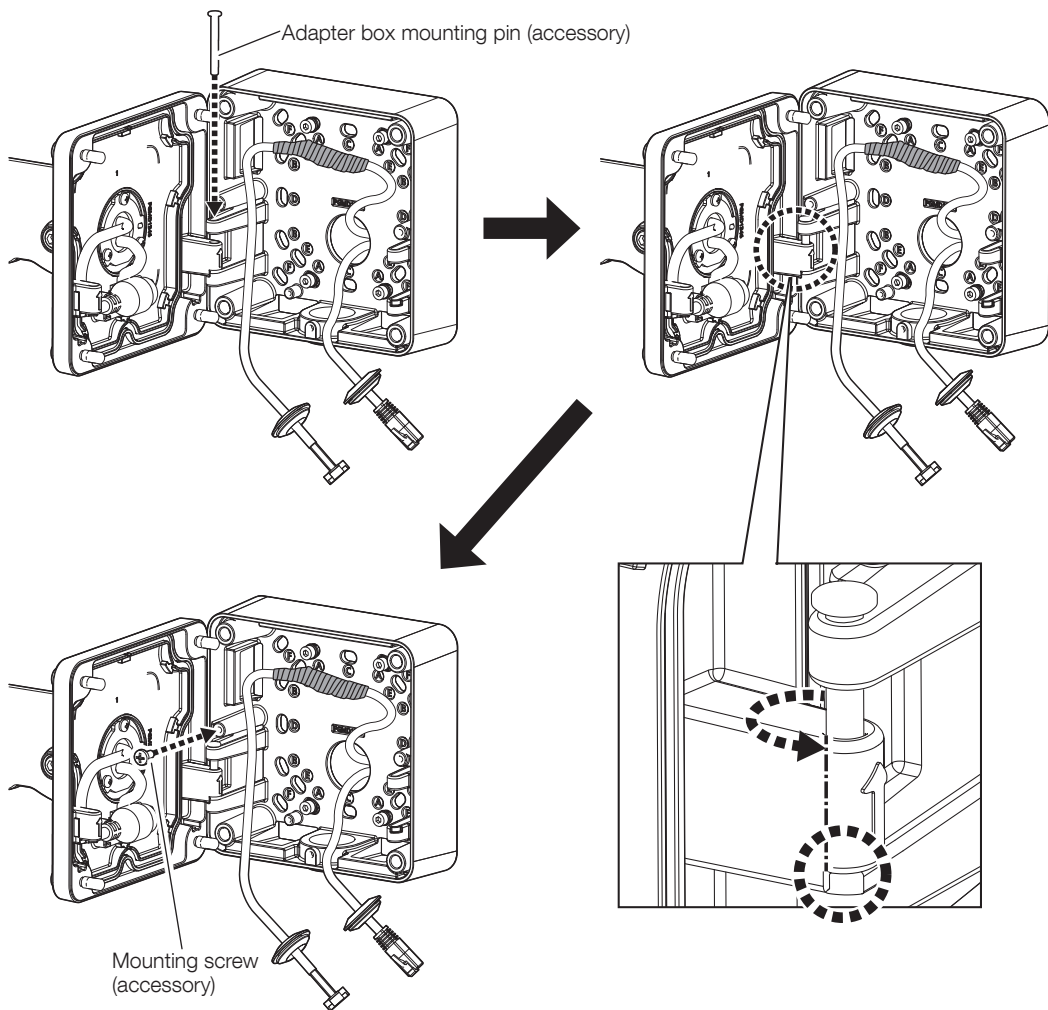


- When installing with a right-hand opening, move a grommet in the left hole to the right hole.



Step 5

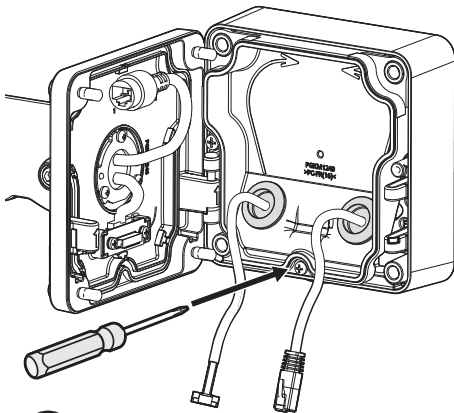
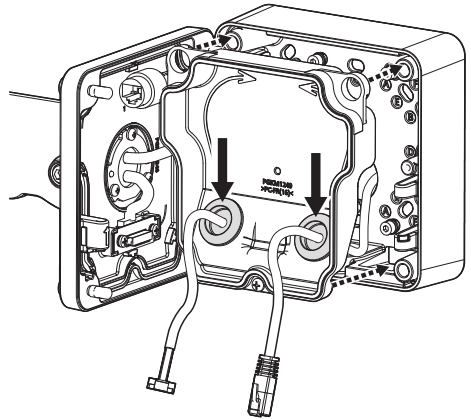
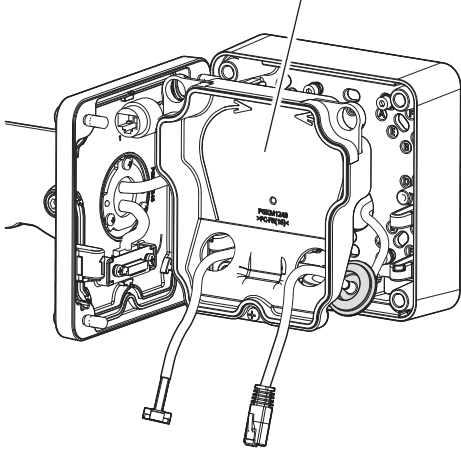
The following illustrations show examples of installation for a left-hand opening.



Recommended tightening torque:
0.69 N·m {0.51 lbf·ft}

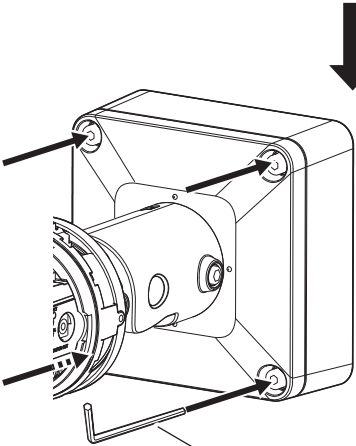
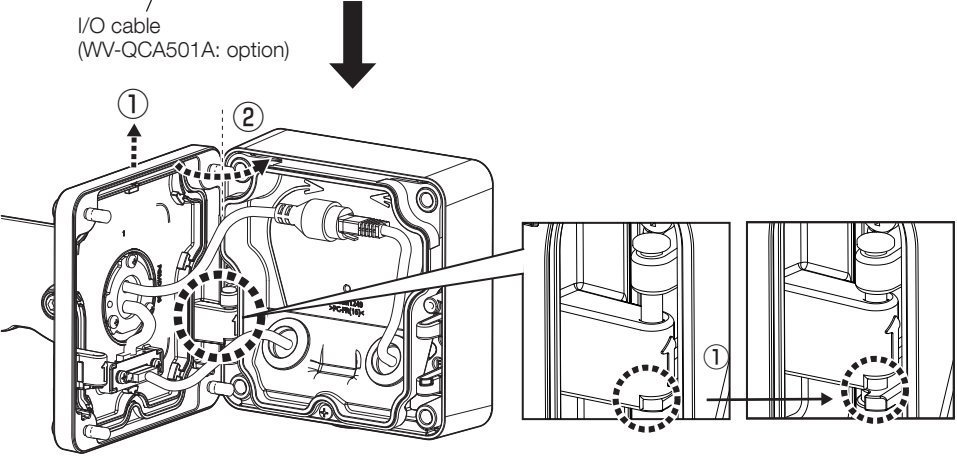
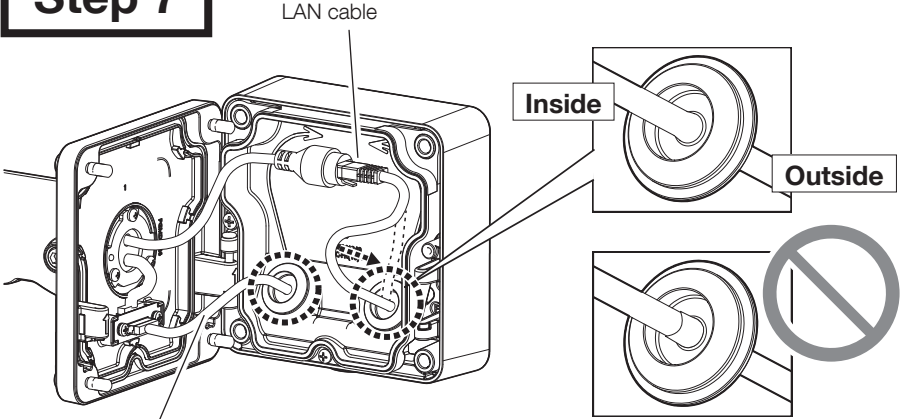
Step 6

Grommet cover (accessory)



0.69 N·m {0.51 lbf·ft}

Step 7

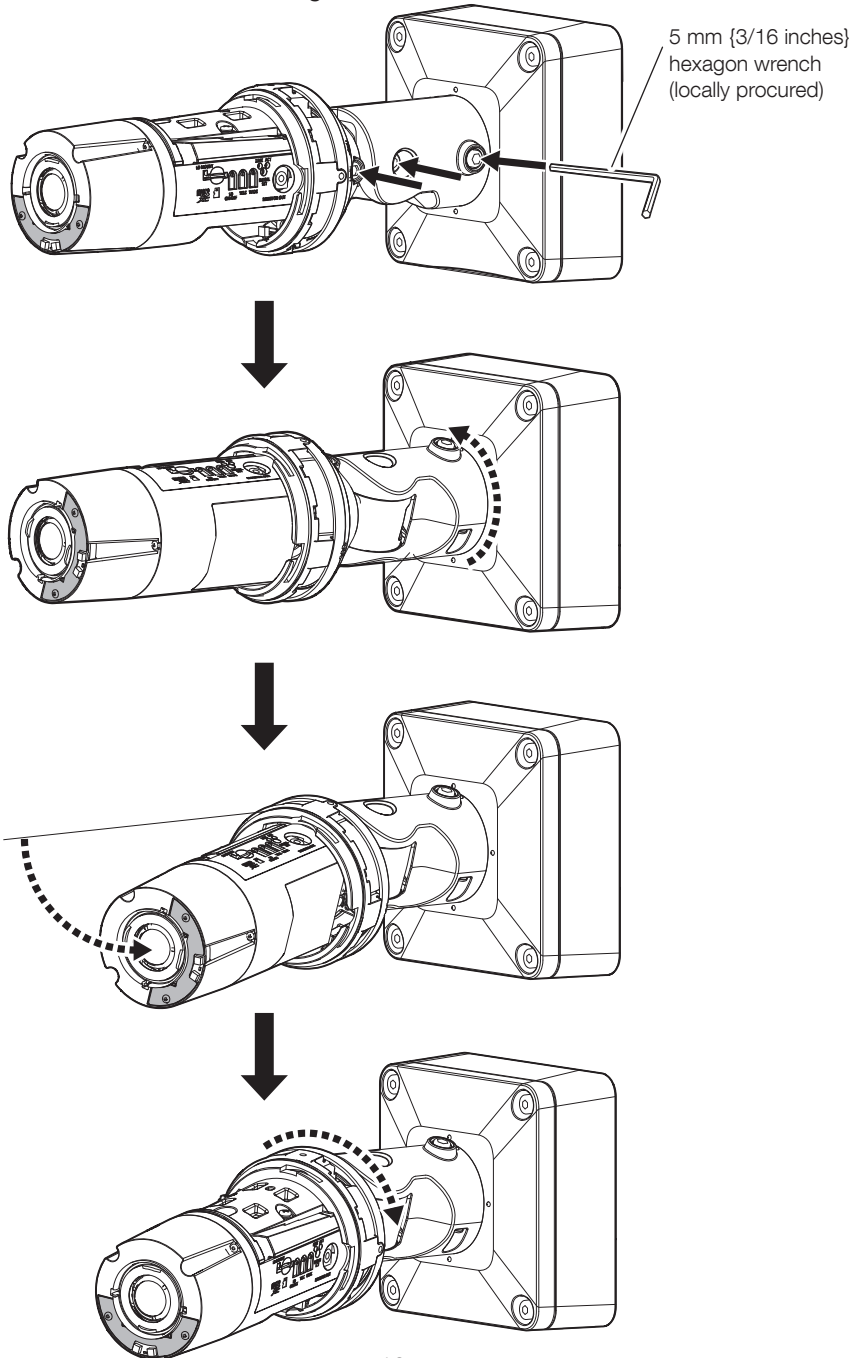


2.45 N·m {1.81 lbf·ft}

5 mm {3/16 inches} hexagon wrench
(locally procured)

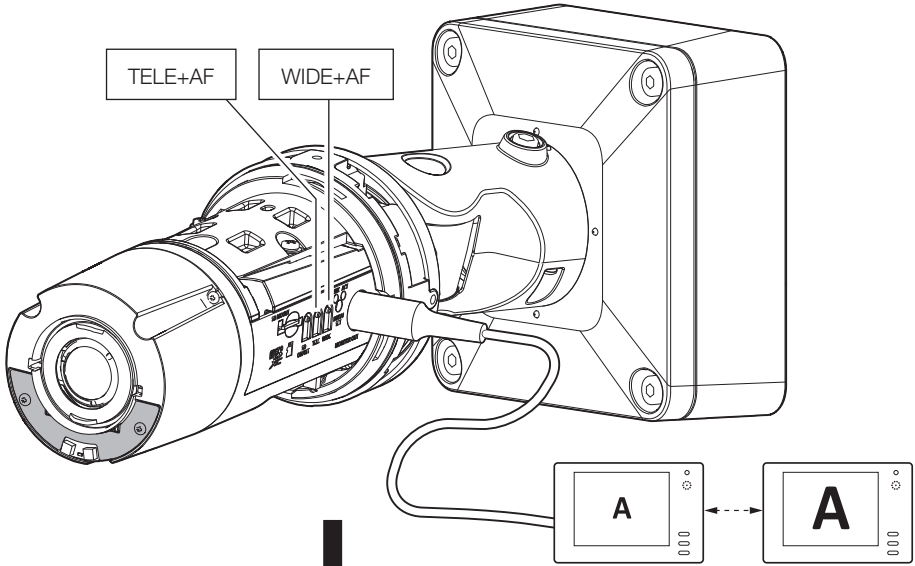
Step 8

* Coarsely adjust the camera direction before adjusting it. The following is an example with the camera direction turned to the right.



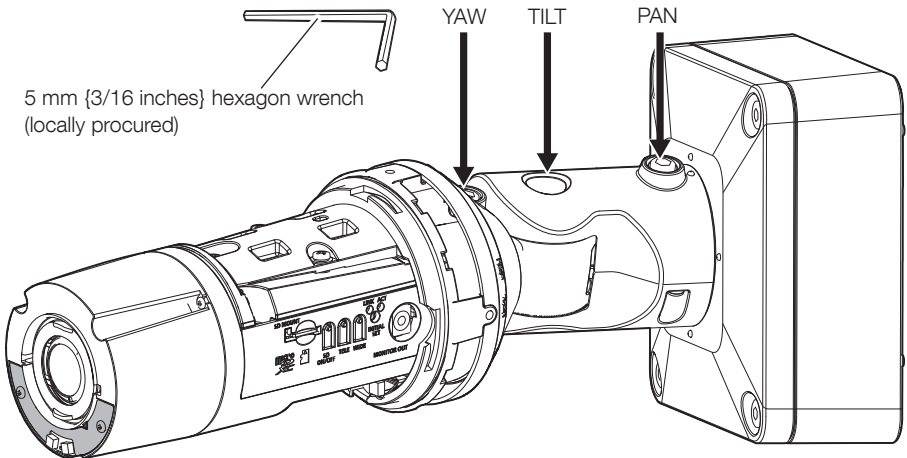
Step 9

→ Power On (12 V DC/PoE+)



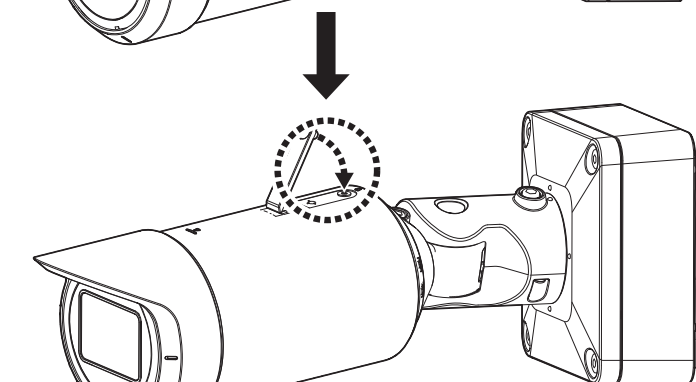
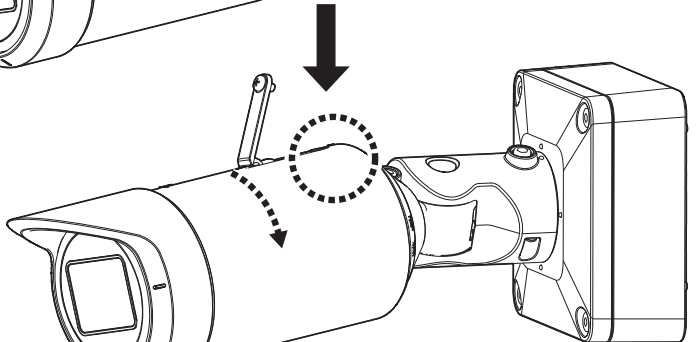
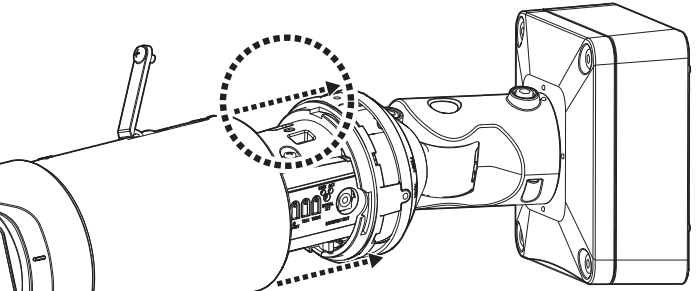
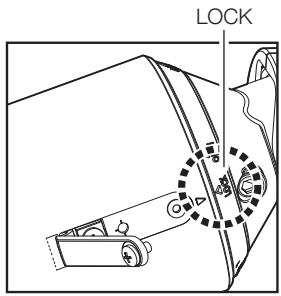
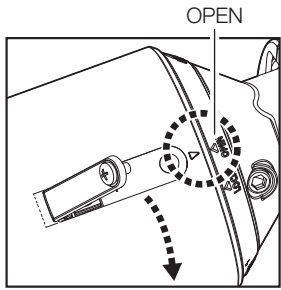
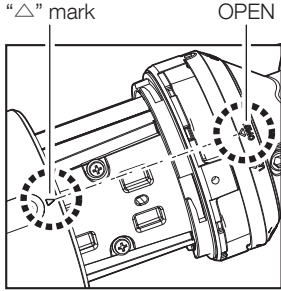
Readjustment Step 8

5 mm {3/16 inches} hexagon wrench
(locally procured)

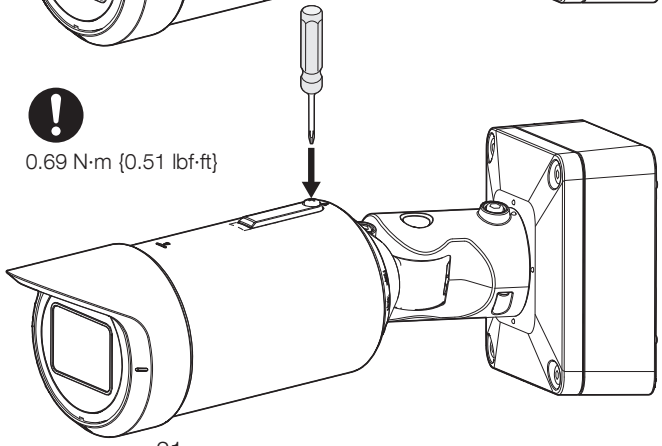


PAN lock screw: 2.7 N·m {1.99 lbf·ft}
TILT lock screw: 4.3 N·m {3.17 lbf·ft}
YAW lock screw: 2.7 N·m {1.99 lbf·ft}

Step 10



0.69 N·m {0.51 lbf·ft}



Step 11



Technical information website
“IP Setting Software”
<Control No.: C0123>
or
“i-PRO Configuration Tool (iCT)”
<Control No.: C0133>

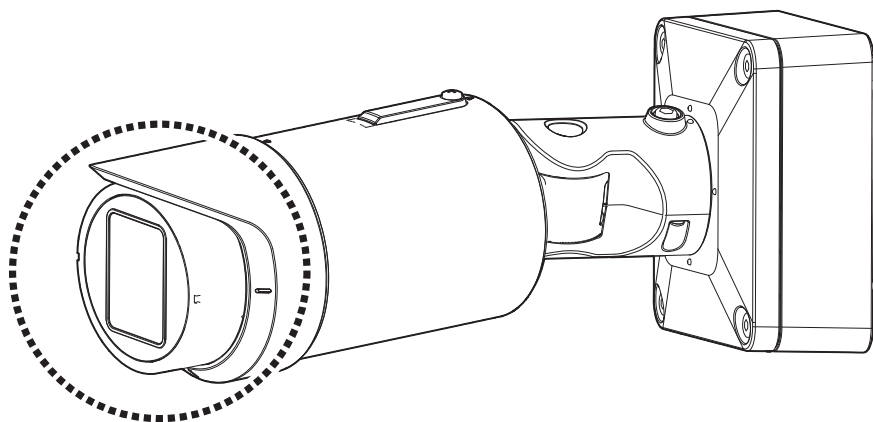
“Extra optical zoom”
<Control No.: C0124>

“How to take a wide depth of field”
<Control No.: C0127>

■ When using “Image rotation” → Rotate the sunshade



Technical information website
“Installation method for rotating the sunshade”
<Control No.: C0131>



Guide d'installation

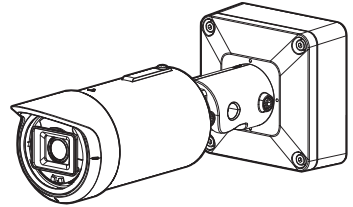
Instructions d'installation comprises

Caméra en réseau

Pour usage professionnel uniquement

Usage extérieur

N° de modèle WV-X15700-V2L
WV-X15600-V2L
WV-X15500-V3L
WV-X15300-V3L



WV-X15700-V2L

À propos des manuels d'instructions

La documentation du produit est composée des documents suivants.

- **Guide d'installation (la présente documentation):** Fournit des informations sur les "Mesures de précaution", "Précautions d'installation" et la méthode d'installation.
- **Guide Web (utiliser le lien sur le site Web d'informations produit suivant):** Inclut des vidéos d'installation, les fonctions de base et des méthodes d'utilisation basiques pour cet appareil.
- **Manuel d'instructions (utiliser le lien sur le site Web d'informations produit suivant):** Cette section décrit les instructions d'utilisation du logiciel communes à chaque modèle. https://i-pro.com/products_and_solutions/en/surveillance/documentation-database



"<Contrôle No. : C****>" utilisé dans ces documents devrait être employé pour rechercher l'information sur notre site Web d'informations techniques (https://i-pro.com/products_and_solutions/en/surveillance/learning-and-support/knowledge-base/technical-information) et vous guidera vers la bonne information.



- Nous vous recommandons de lire attentivement ces instructions avant de raccorder ou d'utiliser cet appareil et de conserver le livret des "Important Safety Instructions" pour toute référence ultérieure.
- La carte de mémoire microSDXC/ microSDHC/ microSD est décrite sous l'appellation de carte de mémoire microSD.
- L'aspect extérieur et d'autres parties apparaissant dans ce manuel peuvent présenter une différence avec le produit réel jusque dans des limites qui n'interféreront pas lors d'une utilisation normale pour des raisons d'amélioration du produit.

i-PRO Co., Ltd.

Tokyo, Japan

<https://www.i-pro.com/>

Authorised Representative in EU:
i-PRO EMEA B.V.
Laarderhoogtweg 25, 1101 EB
Amsterdam, Netherlands

i-PRO EMEA B.V. UK Branch
1010 Cambourne Business Park,
Cambridgeshire CB23 6DP



L'élimination des équipements et des piles/batteries usagés
Applicable uniquement dans les pays membres de l'Union européenne et les pays disposant de systèmes de recyclage



Apposé sur le produit lui-même, sur son emballage, ou figurant dans la documentation qui l'accompagne, ce pictogramme indique que les piles/batteries, appareils électriques et électroniques usagés, doivent être séparés des ordures ménagères.

Afin de permettre le traitement, la valorisation et le recyclage adéquats des piles/batteries et des appareils usagés, veuillez les porter à l'un des points de collecte prévus, conformément à la législation nationale en vigueur.

En les éliminant conformément à la réglementation en vigueur, vous contribuez à éviter le gaspillage de ressources précieuses ainsi qu'à protéger la santé humaine et l'environnement.

Pour de plus amples renseignements sur la collecte et le recyclage, veuillez vous renseigner auprès des collectivités locales.

Le non-respect de la réglementation relative à l'élimination des déchets est passible d'une peine d'amende.



Note relative au pictogramme à apposer sur les piles/batteries (pictogramme du bas)

Si ce pictogramme est combiné avec un symbole chimique, il répond également aux exigences posées par la Directive relative au produit chimique concerné.

Pour U.S.A. _____

Remarque: Cet équipement a été testé et s'avère respecter les limites imposées pour un périphérique numérique de classe A, conformément à la partie 15 des réglementations de la FCC. Ces limites sont conçues pour fournir une protection raisonnable contre les interférences nuisibles, lorsque l'appareil fonctionne dans un environnement commercial. Cet équipement génère, utilise et peut émettre une énergie de fréquences radio et, s'il n'est pas installé et utilisé conformément aux instructions, peut causer des interférences nuisibles aux communications radio.

L'utilisation de cet équipement dans une zone résidentielle est susceptible de provoquer des interférences nuisibles, auquel cas l'utilisateur devra corriger ces interférences à ses propres frais.

AVERTISSEMENT DE FCC: Les changements ou les modifications non expressément approuvés par la partie responsable de la conformité pourraient annuler l'autorité de l'utilisateur à utiliser cet équipement.

Déclaration de conformité du fournisseur

Appellation commerciale: i-PRO

N° de modèle: WW-X15700-V2L, WW-X15600-V2L

WW-X15500-V3L, WW-X15300-V3L

Partie responsable:

i-PRO Americas Inc.

8550 Fallbrook Drive, Suite 200 Houston,

Texas 77064

Contact support: 1-800-513-5417



Pour U.S.A. _____

Le numéro de modèle et numéro de série de ce produit se trouve sur l'appareil.

Nous vous conseillons de relever le numéro de modèle et numéro de série de votre appareil dans l'espace réservé ci-dessous et de conserver précieusement votre notice d'instructions en tant que justificatif d'achat aux fins d'identification en cas de vol.

No. de modèle _____

No. de série _____

Pour U.S.A. _____

Le présent appareil est conforme à la partie 15 des règles de la FCC.

L'exploitation est autorisée aux deux conditions suivantes: (1) l'appareil ne doit pas produire de brouillage, et (2) l'appareil doit accepter tout brouillage subi, même si le brouillage est susceptible d'en compromettre le fonctionnement.

Pour Canada _____

CAN ICES-3(A)/NMB-3(A)

AVERTISSEMENT:


- L'utilisation de ce produit dans un environnement résidentiel pourrait causer des interférences radio.

Attention:

- L'alimentation CC connectée à la caméra vidéo doit se trouver dans le même bâtiment.
- La caméra vidéo de réseau est seulement prévue pour un raccordement à un réseau Ethernet ou au réseau PoE sans acheminement à l'installation extérieure.
- Ce produit ne possède aucun interrupteur d'alimentation. Assurez-vous d'installer des dispositifs de déconnexion tel qu'un disjoncteur pour couper la puissance principale des équipements d'alimentation à ce produit.
- Connectez uniquement une source d'alimentation 12 V CC Classe 2 (UL 1310/CSA 223), une source d'alimentation limitée (IEC/EN/UL/CSA 60950-1, IEC/EN/UL/CSA 62368-1 Annexe Q) ou IEC/EN/UL/CSA 62368-1 PS2.
- Nous vous recommandons de lire attentivement ces instructions avant de raccorder ou d'utiliser cet appareil.

Remarque:

- Ce produit ne convient pas pour une utilisation dans des endroits où des enfants sont susceptibles d'être présents.
- N'installez pas ce produit dans des endroits facilement accessibles par des personnes ordinaires.
- Ce produit est un équipement professionnel.
- Pour plus d'informations sur les vis et les autres pièces requises pour l'installation, reportez-vous à la section correspondante de ce document.

 : Symbole de courant continu

Mesures de précaution

Afin d'éviter les blessures corporelles et les dégâts à la propriété, elles expliquent ce qui doit être impérativement respecté. Les déclarations de sécurité communes à tous les modèles de caméra réseau i-PRO sont publiées sur le site Web accessible à partir du code-barres à deux dimensions à droite. S'assurer de les consulter.
https://i-pro.com/products_and_solutions/en/surveillance/learning-and-support/knowledge-base/safety-instructions



■ Ne pas installer ce produit dans un environnement à l'accès restreint ou interdit.

Le non-respect de cette consigne peut entraîner des blessures, un accident ou un dysfonctionnement en raison d'une chute.

Vérifier les précautions de sécurité communes à tous les modèles sur le site Web ci-dessus et les précautions d'installation dans le Guide d'installation.

■ Confier les travaux d'installation au distributeur.

Les travaux d'installation exigent des connaissances techniques et de l'expérience. Le fait de ne pas observer ceci peut engendrer un incendie, provoquer une décharge électrique, des blessures voire endommager ce produit. Faire en sorte de consulter le distributeur.

■ Installer précisément et solidement le produit sur une surface d'installation conformément aux instructions d'installation.

Le fait de ne pas respecter cette recommandation risque d'aboutir à des blessures voire provoquer des accidents.

■ Prendre les mesures nécessaires pour protéger ce produit des chutes.

Le fait de ne pas respecter cette recommandation risque d'engendrer la chute de l'appareil et de blesser quelqu'un.

Fixer solidement le produit à la surface d'installation à l'aide de vis ou de systèmes de fixation. Si le câble de prévention des chutes est fourni, veiller à l'installer.

■ **Arrêter immédiatement l'utilisation quand quelque chose est erroné avec ce produit.**

Quand de la fumée se dégage du produit, qu'une odeur de fumée se dégage du produit ou que les surfaces extérieures du produit ont été abimées, le fait de continuer à utiliser le produit aura comme conséquence un incendie ou de faire une chute se traduisant par des blessures ou des dégâts à la propriété.

Dans ce cas, couper immédiatement l'alimentation et demander à un dépanneur professionnel de faire le dépannage nécessaire.

■ **Effectuer des inspections périodiques.**

Une formation de rouille sur les parties métalliques ou sur les vis peut engendrer une chute du produit ou provoquer des accidents.

Se mettre en rapport avec le distributeur en ce qui concerne les inspections à faire.

S'assurer de couper l'alimentation avant l'inspection ou la maintenance.

Précautions d'installation

i-PRO Co., Ltd. n'assume aucune responsabilité en cas de dommages corporels ou matériels résultant de pannes dues à une installation incorrecte ou à une utilisation contraire à ce qui est indiqué dans cette documentation.

■ **Pour éviter que quelqu'un se blesse, ce produit doit être fixé solidement sur une surface d'installation conformément au Guide d'installation.**

■ **Secteur d'installation pour ce produit**

Sélectionner un endroit approprié pour l'emplacement d'installation (tel qu'une surface d'installation robuste) dans votre environnement particulier.

- S'assurer que la zone d'installation est suffisamment robuste pour supporter le poids de ce produit comme dans le cas d'un plafond en béton.
- Installer la caméra vidéo dans la zone des fondations de l'architecture ou dans un endroit où une résistance suffisante est assurée.
- Ne pas installer ce produit sur une plaque de plâtre ou une section en bois parce qu'ils sont trop faibles. Si toutefois le produit est inévitablement installé sur une telle section, cette section doit être suffisamment renforcée.

■ **Ne pas placer ce produit dans les emplacements suivants**

- Emplacements où un agent chimique est utilisé comme dans le cas d'une piscine
- Emplacements en présence d'humidité ou d'émanations d'huile comme dans le cas d'une cuisine
- Emplacements situés dans un environnement particulier pouvant être exposé à une atmosphère où il existe des produits inflammables ou des solvants
- Emplacements où un rayonnement, des rayons X, des puissantes ondes radio ou un champ magnétique intense est produit
- Emplacements à proximité des côtes directement soumis à des brises de la mer, ou des emplacements soumis à des gaz corrosifs tels que des sources thermales, les régions volcaniques, etc.
- Emplacements où la température ne se trouve pas dans les limites de la gamme spécifiée
- Emplacements sujets aux vibrations, comme dans le cas d'une installation sur des véhicules, des navires maritimes ou au-dessus de chaînes de production (Ce produit n'est pas conçu être utilisé en mode d'installation sur véhicule.)
- Emplacements sujets à de la condensation en cas de fortes variations de température, comme à proximité de l'unité extérieure d'un climatiseur.
- Emplacement à proximité de produits en caoutchouc contenant du soufre (emballages, pieds de caoutchouc, etc.)

■ **Serrage de vis**

Ne pas se servir d'un tournevis à percussion à impact. L'utilisation d'un tournevis à percussion risque d'endommager les vis ou d'engendrer un serrage excessif.

■ **À propos de la réflexion de la lumière de l'extérieur ou de la lumière infrarouge**

Une image parasite peut apparaître à l'écran en fonction de l'angle d'incidence de la lumière externe. Dans le cas de l'utilisation d'une lumière infrarouge, l'installation d'une caméra vidéo près d'un mur peut entraîner la réflexion des rayons infrarouges, ceci ayant pour résultat qu'une partie de l'écran ou de la totalité de l'écran devienne blanchâtre.

- Se référer à notre site Web d'informations techniques <Contrôle No.: C0109> pour des exemples d'image et les mesures à prendre.

■ **Prendre en considération l'humidité**

Installer ce produit lorsque l'humidité est faible. Si l'installation est exécutée alors qu'il pleut ou dans conditions très humides, l'intérieur risque d'être affecté par l'humidité, ceci entraînant une formation de buée à l'intérieur du panneau avant.

■ **Protection contre la foudre**

Quand des câbles sont utilisés à l'extérieur, ils risquent d'être affectés par la foudre. En pareil cas, installer un parafoudre près de la caméra vidéo et faire en sorte que la longueur du câble de réseau entre la caméra vidéo et le parafoudre soit aussi courte que possible afin d'éviter que la caméra ne soit affectée par la foudre. Se référer à notre site Web d'informations techniques <Contrôle No.: C0121>

■ **Quand des nuisances sonores peuvent se produire**

Des parasites peuvent apparaître sur la vidéo ou dans le son par la proximité d'un puissant champ électrique provenant d'un récepteur de télévision ou d'une antenne radio et de transformateurs, ou un puissant champ électrique/champ magnétique provenant d'une ligne d'alimentation (ligne d'éclairage) de 100 V de courant alternatif ou plus élevé. Effectuer les connexions électriques de sorte qu'elles soient éloignées d'1 m {3,28 feet} de ceux-ci ou faites transiter les conduits électriques par des tuyaux métalliques. (S'assurer de raccorder les tuyaux métalliques à la terre.)

■ **Étiquette d'indication de classification d'équipement et de source d'énergie électrique**

Se référer à l'étiquette d'instructions collée à l'arrière du socle de cette unité quant aux informations de classification de l'équipement, de source d'alimentation et autres informations.

■ **VCCIについて**

この装置は、クラスA機器です。この装置を住宅環境で使用すると電波妨害を引き起こすことがあります。この場合には使用者が適切な対策を講ずるよう要求されることがあります。 VCCI-A

■ **À propos de l'électricité statique**

Avant d'installer ou de retirer ce produit, veillez à toucher des objets métalliques afin de décharger l'électricité statique de votre corps.

Caractéristiques techniques

Source d'alimentation*1, *2:	12 V c.c. PoE+ (IEEE802.3at compliant)
Puissance consommée*1, *2:	12 V c.c.: 1,2 A / environ 14,2 W PoE+ 54 V c.c.: 260 mA / environ 14,0 W (dispositif de classe 4)
Environnement en service Température ambiante en service:	-40 °C à +55 °C*3 {-40 °F à +131 °F} (Plage d'application d'alimentation: -30 °C à +55 °C {-22 °F à +131 °F})
Humidité ambiante en service:	10 % à 100 % (aucune condensation)
Environnement de stockage Température de stockage:	-30 °C à +60 °C {-22 °F à +140 °F}
Humidité ambiante de stockage:	10 % à 95 % (aucune condensation)
Résistant à l'eau et à la poussière*4:	IP67/IP66 (IEC 60529), type 4X (UL50E), conforme à la norme NEMA 4X
Résistance aux chocs:	IK10 (IEC 62262)
Résistance au vent:	Jusqu'à 40 m/s {environ 89 mph}
Dimensions:	133 mm (L) x 133 mm (H) x 383 mm (P) {5-1/4 pouces (L) x 5-1/4 pouces (H) x 15-3/32 pouces (P)}
Masse:	Environ 2,5 kg {5,52 lbs}
Finition:	Corps principal: Moulage d'aluminium/résine, i-PRO blanche Vis de fixation d'installation externe: Acier inoxydable (traitement de résistance à la corrosion) Panneau avant: Résine PC, transparent transparent (avec revêtement de ClearSight)

*1 Se référer à notre site Web d'informations techniques <Contrôle No.: C0106> pour obtenir de plus amples informations au sujet des informations relatives à la source d'alimentation et à la puissance consommée.

*2 Si une alimentation de 12 V c.c. est utilisée pour ce produit, la borne EXT I/O, l'entrée audio et la sortie audio, le câble E/S (WV-QCA501A :option) est nécessaire.

*3 En cas d'utilisation avec le témoin del infra. allumé en permanence, la limite supérieure de la plage de températures de fonctionnement est fixée à +50 °C {+122 °F}.

*4 Seulement lorsque les travaux d'installation sont correctement exécutés conformément aux instructions spécifiées dans le Guide d'installation et qu'un traitement d'imperméabilité à l'eau approprié est exécuté.

Accessoires optionnels



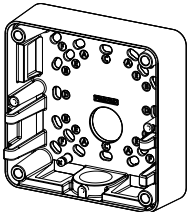
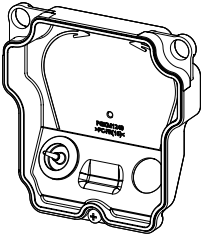
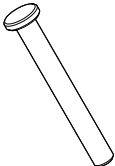
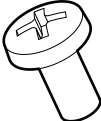
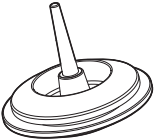
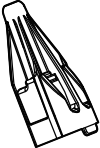

Les dernières informations → Site Web d'informations techniques "Accessory Selector"
<Contrôle No.: C0501>

Dépannage

Avant de demander une réparation, consulter la section "Dépannage" du guide Web. Ensuite, confirmer la panne.

Accessoires standard

Important Safety Instructions 1 él.

			
Boîtier d'adaptation x1		Protège-œillet x1	
			
Goupille de fixation du boîtier d'adaptation x1	Vis d'installation M4x8 mm {5/16 pouces} x2 (parmi eux, 1 comme pièce de rechange)	Œillet x2 (parmi eux, 1 comme pièce de rechange)	Capuchon RJ45 x1
			
Étiquette de revêtement anti-pluie x1 (avec revêtement de ClearSight)			

Autres articles qui sont nécessaires (non compris)

● Vis d'installation

Méthode d'installation	Vis de fixation recommandée*1	La capacité de traction minimale requise*2
Monter directement la caméra vidéo sur la surface d'installation.	M4 x 16 mm {5/8 pouces} x 4 él.*3,*4	724 N {163 lbf}
Installer la caméra vidéo sur une boîte de groupe/boîte de jonction double.		
Installer la caméra vidéo à l'aide de la platine de fixation d'installation exclusivement conçue.	Se référer au manuel d'utilisation de chaque platine de fixation.	

*1 Choisir les vis en fonction des matériaux constitutifs de l'emplacement sur lequel la caméra vidéo sera installée. Dans le cas présent, ni des vis à bois ni des clous ne doivent être utilisés.

*2 Cette valeur indique la valeur minimum de capacité de dégagement requise par vis. Pour obtenir de plus amples informations concernant la capacité de dégagement maximum exigée, se référer à notre site Web d'informations techniques <Contrôle No.: C0120>.

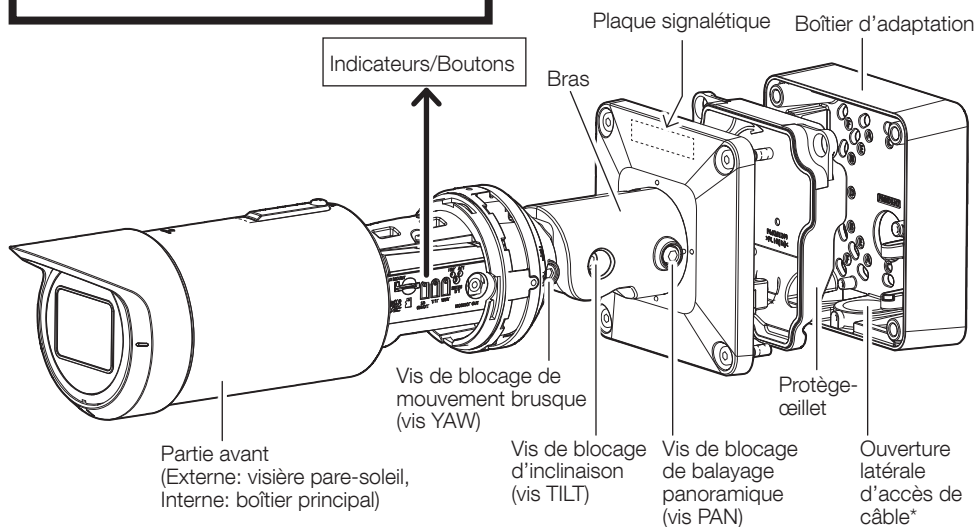
*3 La longueur de la vis est un exemple lors de l'installation de la caméra sur une surface d'installation robuste d'une épaisseur de 20 mm {25/32 pouces} ou plus.

*4 Veuillez envisager d'utiliser des vis d'installation anticorrosives ou un calfeutrage.

- Câble Ethernet avec fiche RJ45 (catégorie 5e ou supérieure, fils rectilignes, tous les 4 paires (8 broches), moins de 100m {328 feet})
- Si nécessaire, câble d'entrée son, câble de sortie audio, câble E/S d'alarme, câble d'alimentation
- 5 mm {3/16 pouces} clé à six pans

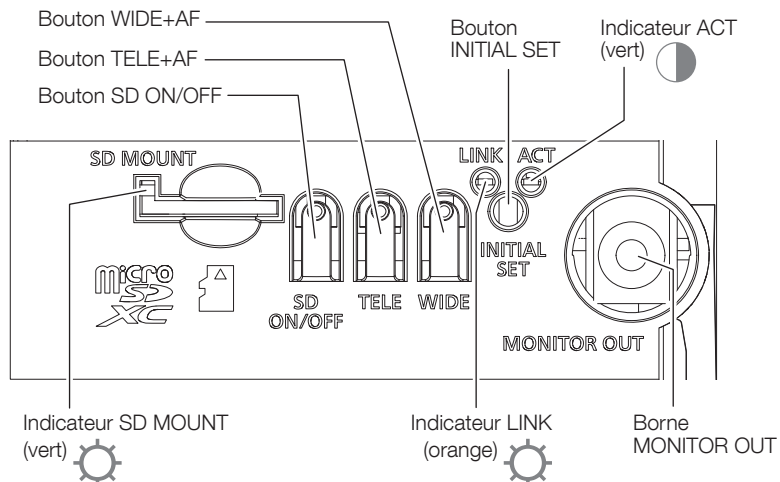
Procédure d'installation

Pièces et fonctions



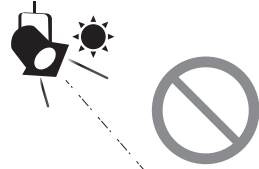
* Pièce de connexion de conduit
(Conforme à la norme CTG22 de JIS C 8305 (filetage du tube de conduit), ou G3/4 de JIS B 0202 (filetages de tuyauterie parallèle))

Indicateurs/Boutons



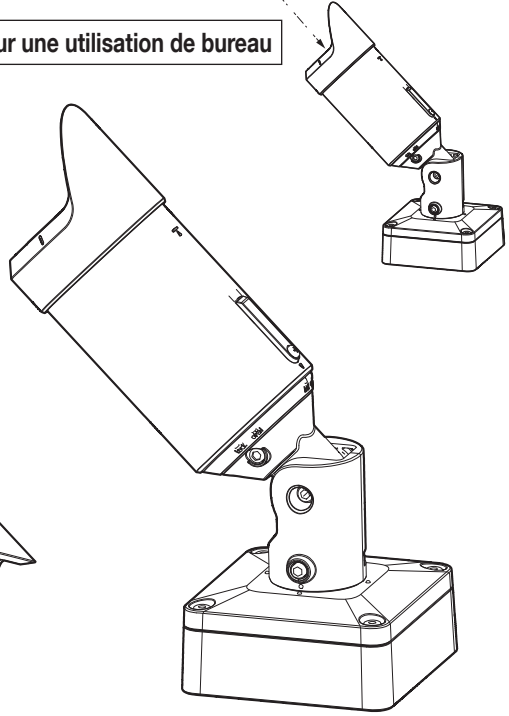
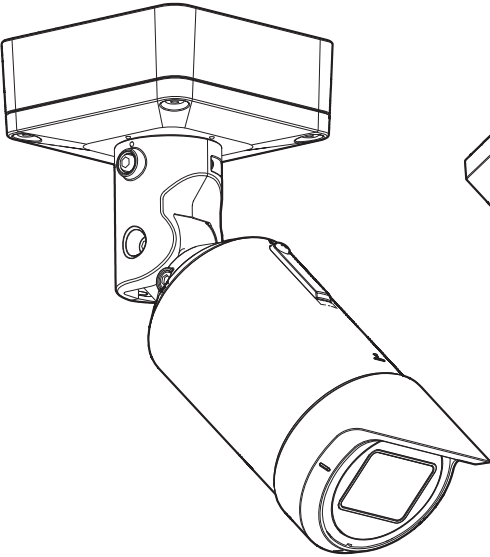
- Manuel d'instructions [Indicateurs] Arrêt forcé de toutes les LED
- Manuel d'instructions "Formater"
- Il est recommandé d'utiliser une carte de mémoire microSD pour les appareils i-PRO.

Méthode d'installation

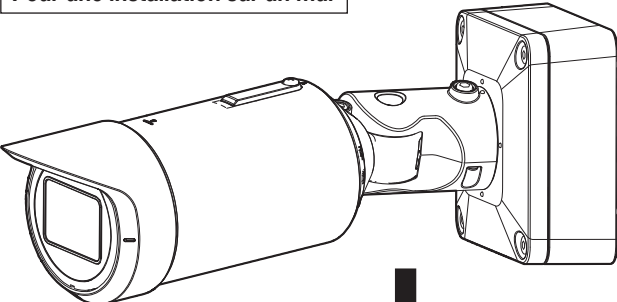


Pour une installation sur un plafond

Pour une utilisation de bureau



Pour une installation sur un mur

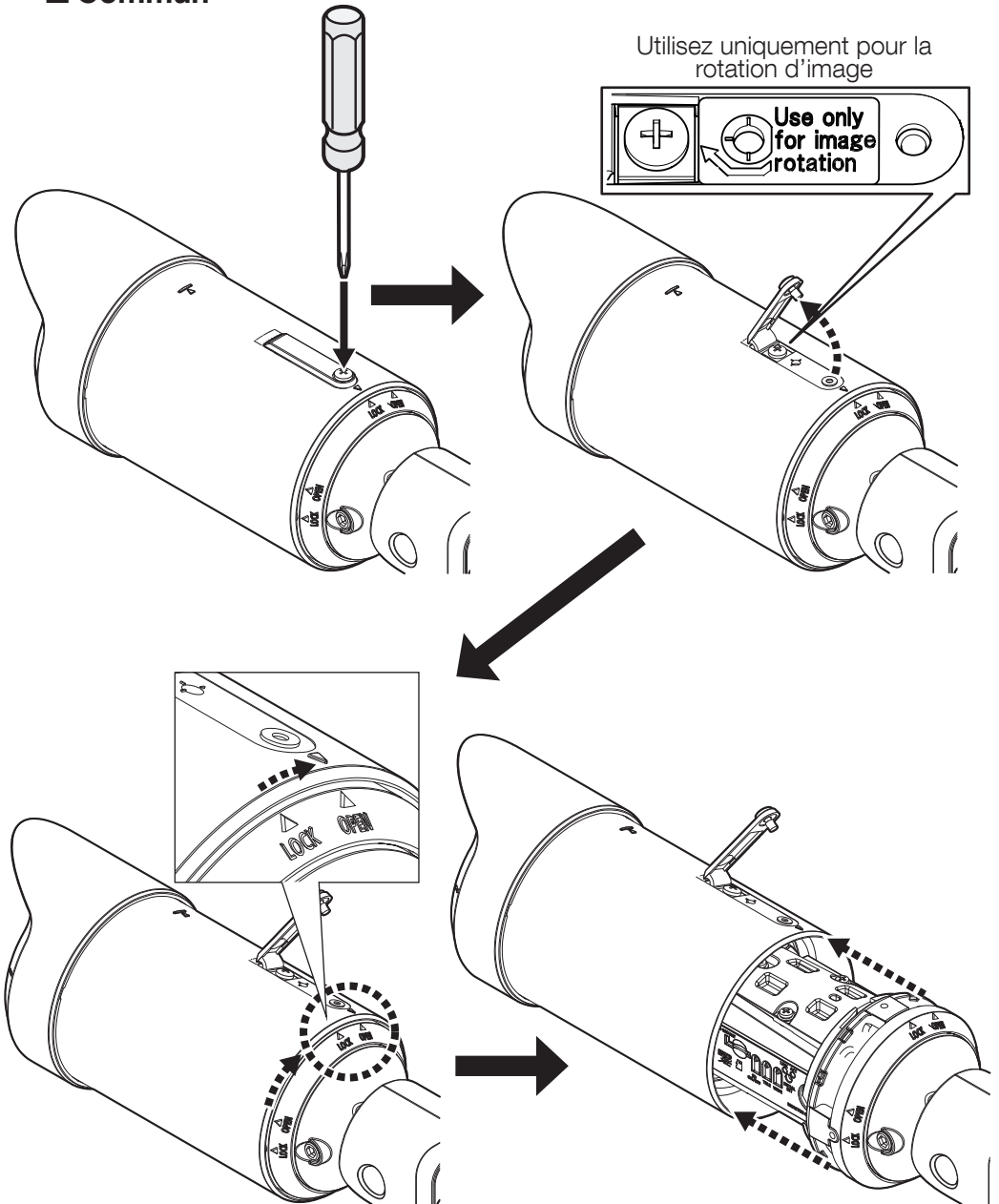


Exemple d'explication pour l'installation

Étape 1

Préparatifs

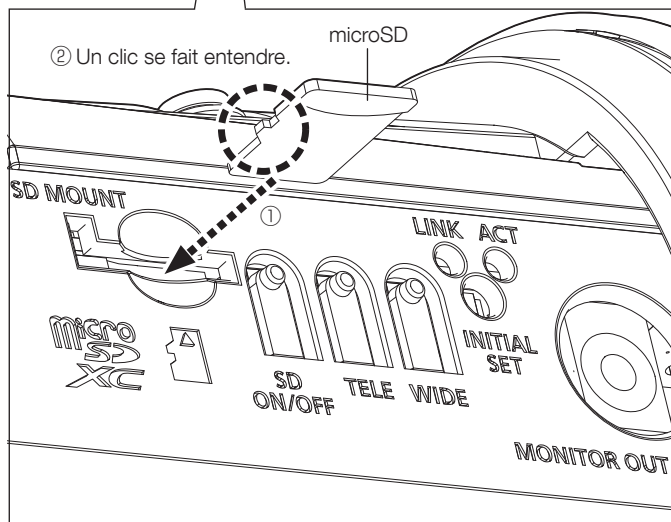
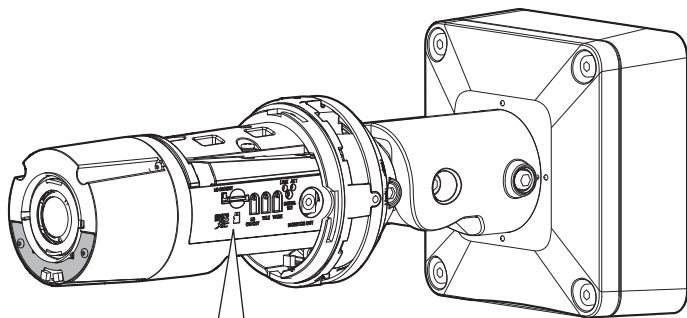
■ Commun



Étape 1

Préparatifs (suite)

■ Lors de l'utilisation d'une carte microSD

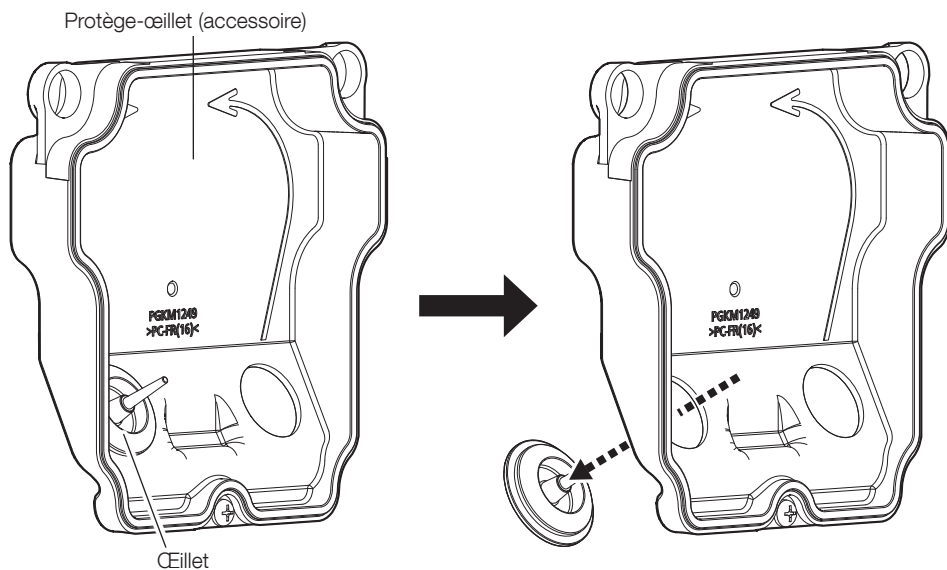


- Manuel d'instructions "Formater"
- Il est recommandé d'utiliser une carte de mémoire microSD pour les appareils i-PRO.

Étape 1

Préparatifs (suite)

■ Lors de l'utilisation d'un câble E/S (WV-QCA501A: option)



Étape 2

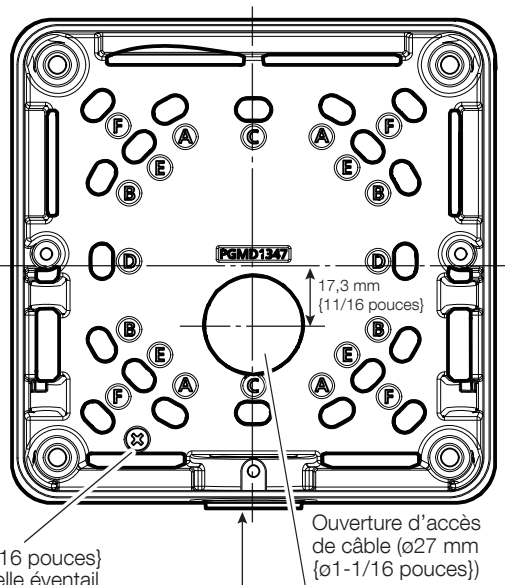
	Direction verticale	Direction horizontale
A	83,5 mm {3-9/32 pouces} (82,5 mm {3-1/4 pouces})	46 mm {1-13/16 pouces} (47,6 mm {1-7/8 pouces})
B	46 mm {1-13/16 pouces} (47,6 mm {1-7/8 pouces})	83,5 mm {3-9/32 pouces} (82,5 mm {3-1/4 pouces})
C	83,5 mm {3-9/32 pouces} (83,3 mm {3-9/32 pouces})	-
D	-	83,5 mm {3-9/32 pouces} (83,3 mm {3-9/32 pouces})
E	63 mm {2-15/32 pouces}	63 mm {2-15/32 pouces}
F	85,7 mm {3-3/8 pouces}	85,7 mm {3-3/8 pouces}



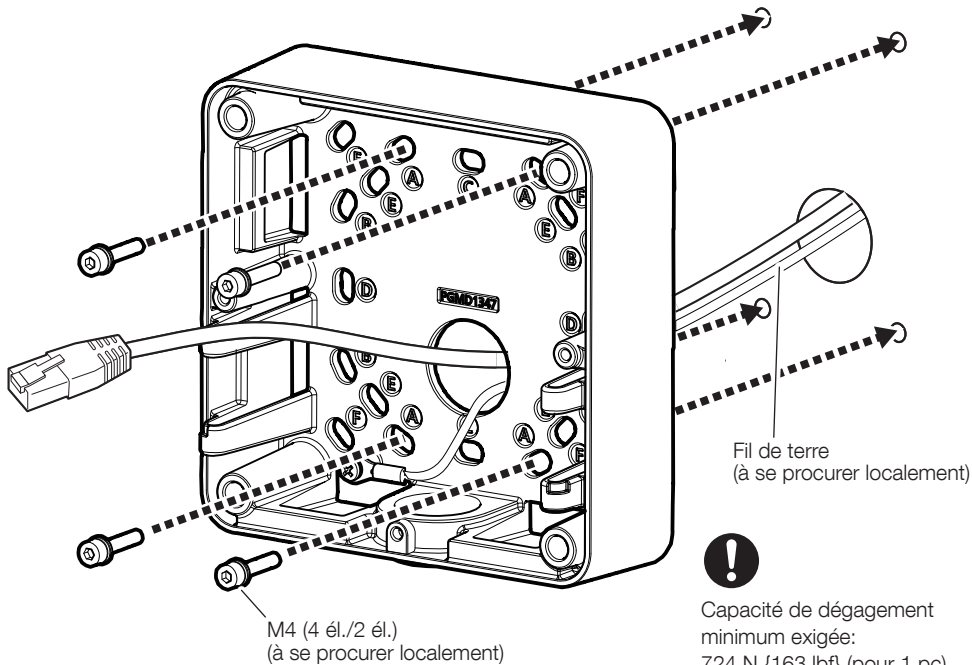
Site Web d'informations techniques
"Countermeasure for Lightning Surge"
<Contrôle No.: C0121>



M3×8 mm {5/16 pouces}
Vis avec rondelle éventail
Couple de serrage recommandé:
0,69 N·m {0,51 lbf·ft}



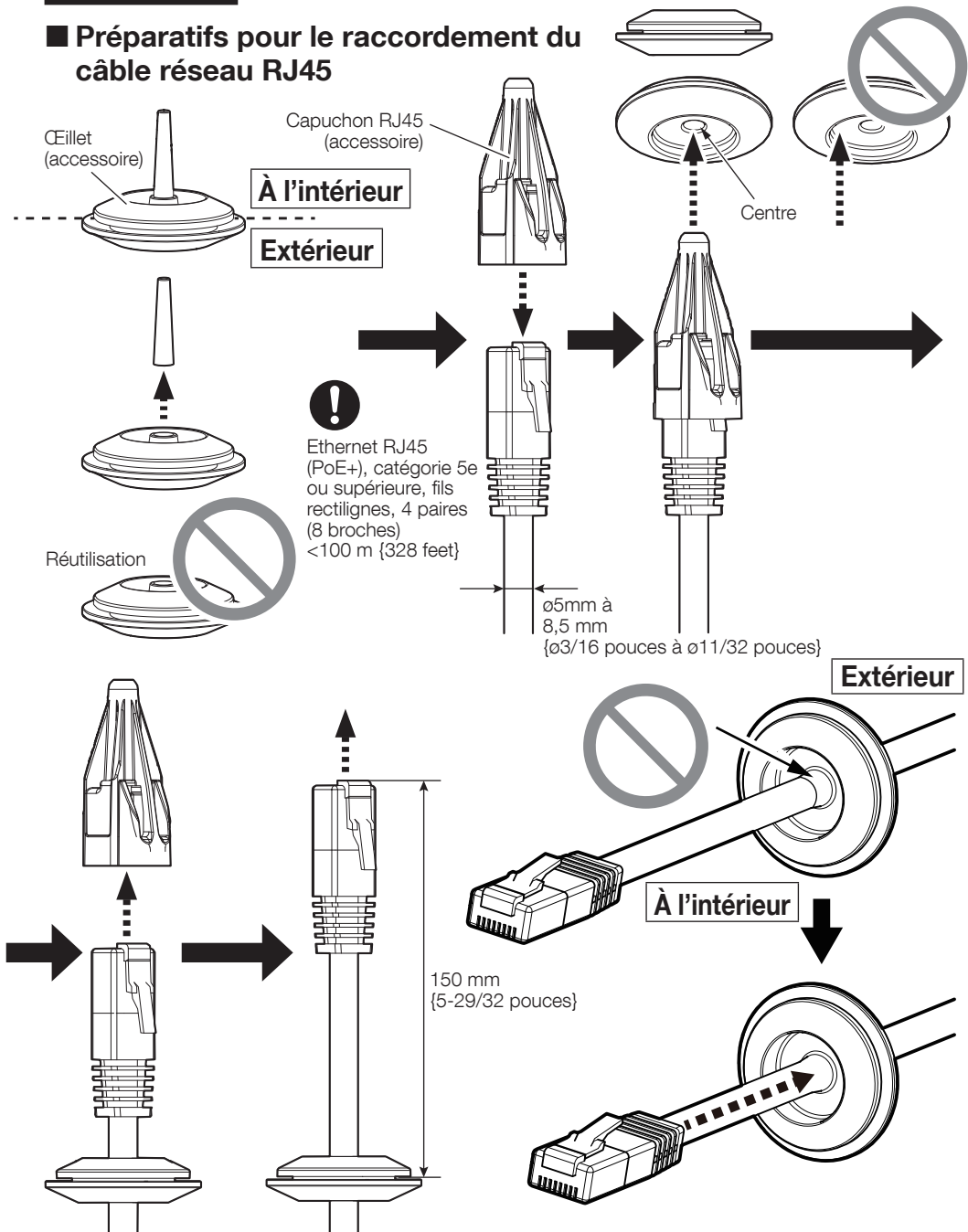
Ouverture d'accès de câble de conduit



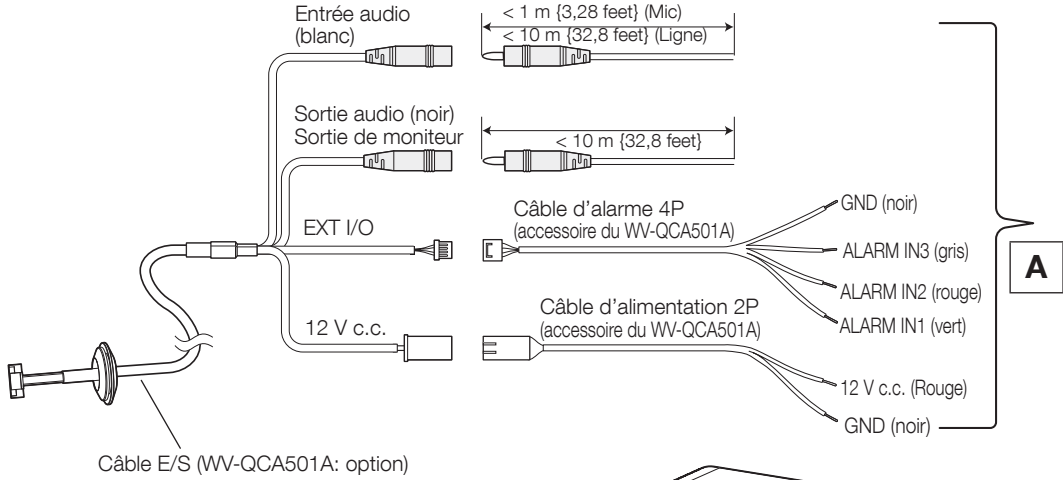
Capacité de dégagement
minimum exigée:
724 N {163 lbf} (pour 1 pc)

Étape 3

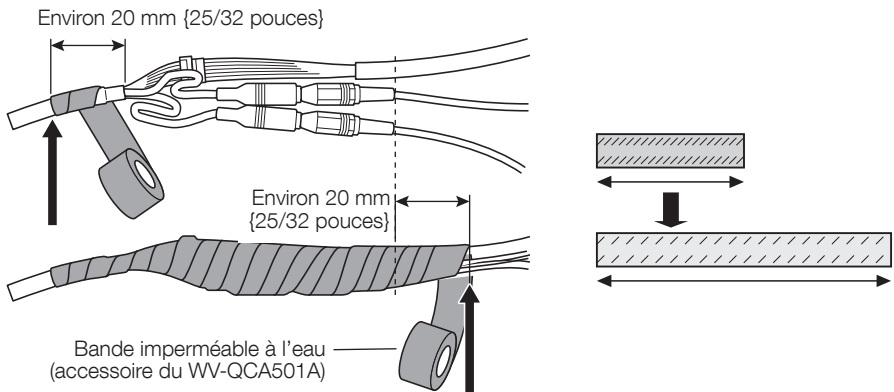
■ Préparatifs pour le raccordement du câble réseau RJ45



■ Lors de l'utilisation d'un câble E/S (WV-QCA501A: option)



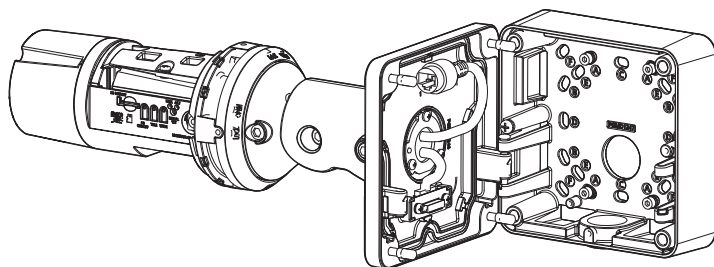
- Étirer la bande imperméable à l'eau environ deux fois la longueur à utiliser.
- Pour raccourcir la partie d'enroulement de la bande, enroulez la bande tout en maintenant le câble audio relâché.



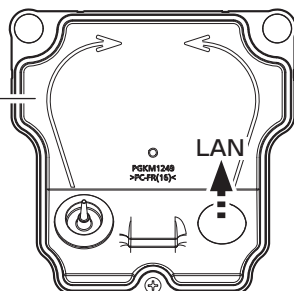
Étape 4

Les illustrations suivantes sont des exemples de raccordement du câble réseau RJ45 uniquement.

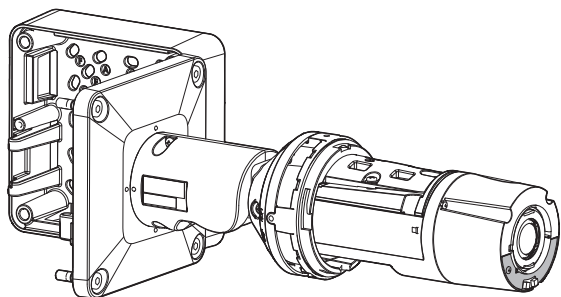
Ouverture à gauche



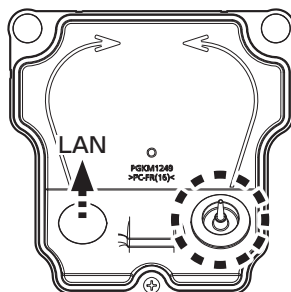
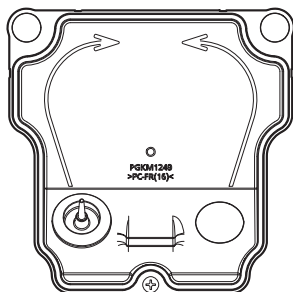
Protège-œillet
(Au moment de l'expédition de l'usine, un œillet est fixé dans le trou gauche.)



Ouverture à droite

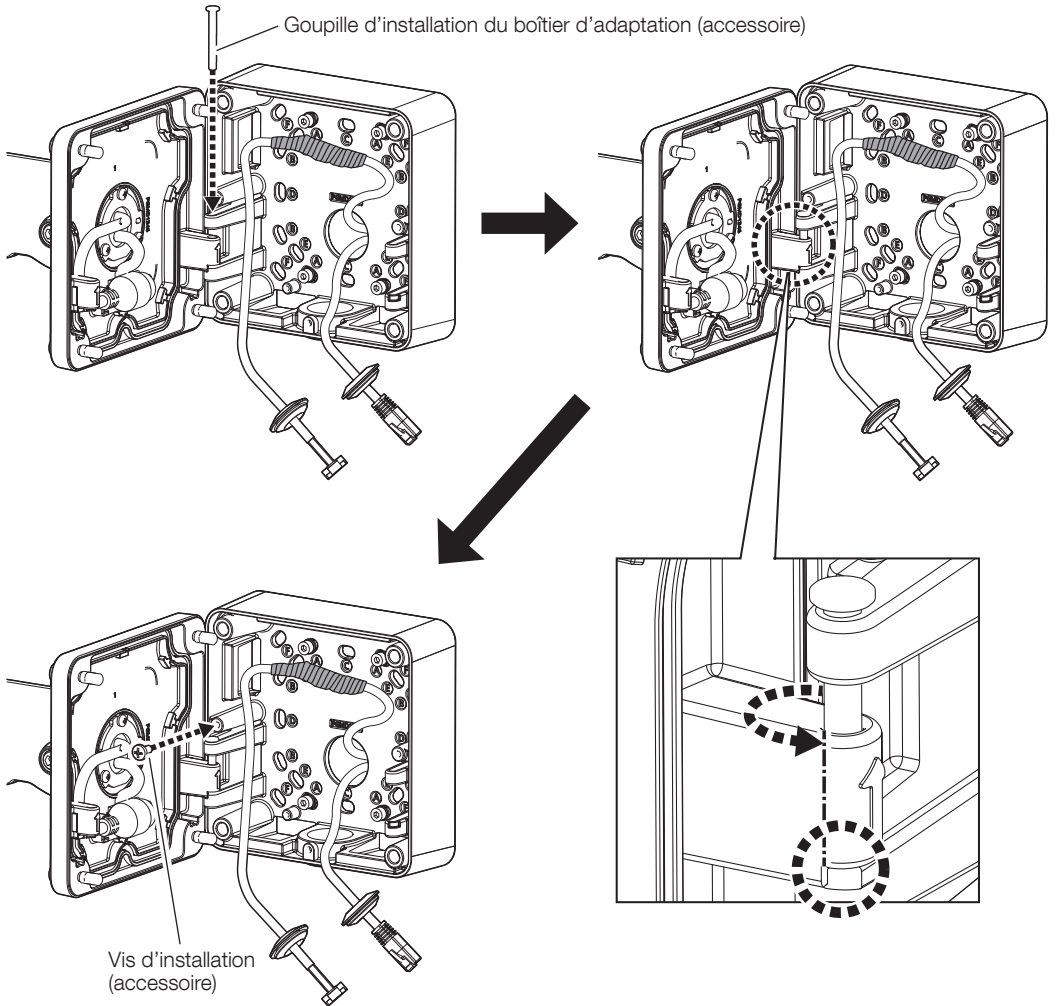


- Lors de l'installation avec une ouverture à droite, déplacez un œillet dans l'orifice gauche vers l'orifice droit.



Étape 5

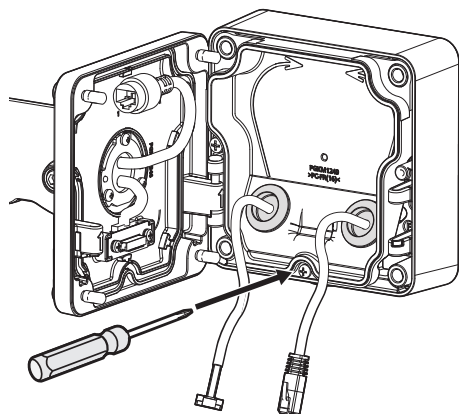
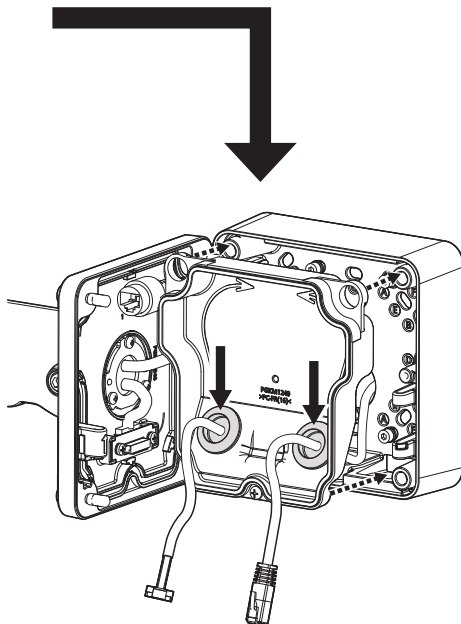
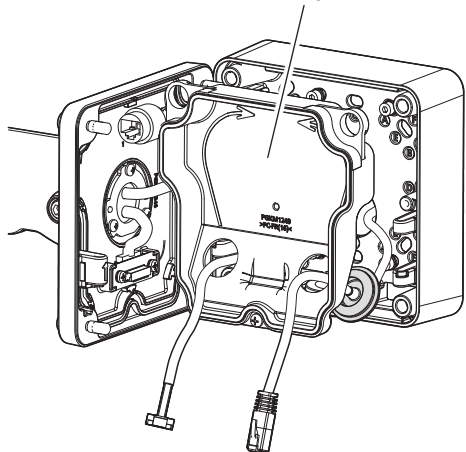
Les illustrations suivantes sont des exemples d'installation pour une ouverture à gauche.



Couple de serrage recommandé:
0,69 N·m {0,51 lbf·ft}

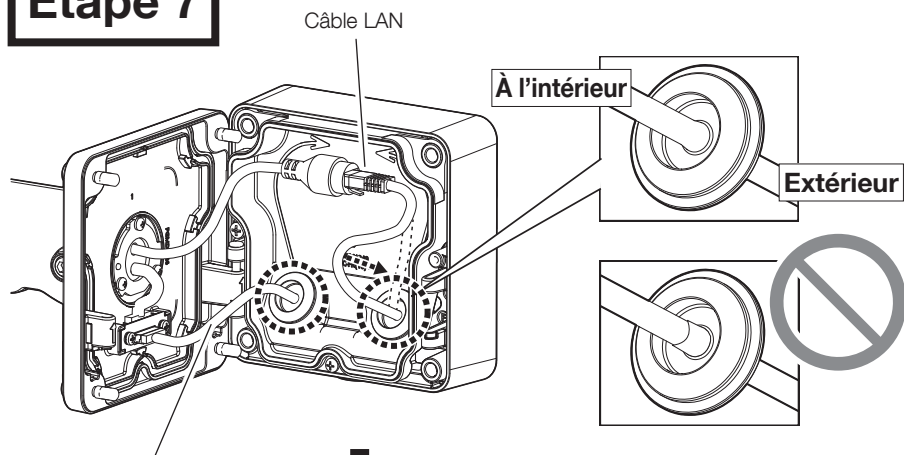
Étape 6

Protège-œillet (accessoire)

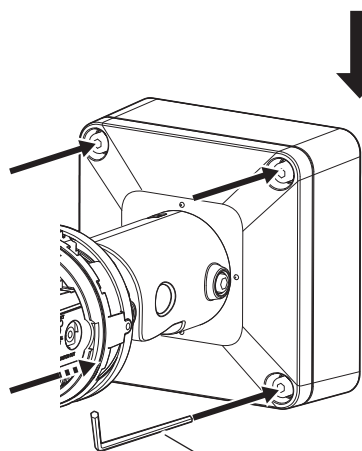
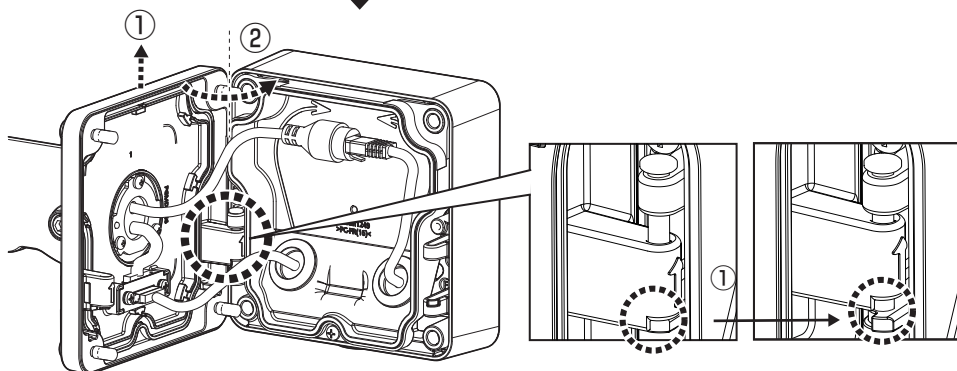


0,69 N·m (0,51 lbf·ft)

Étape 7



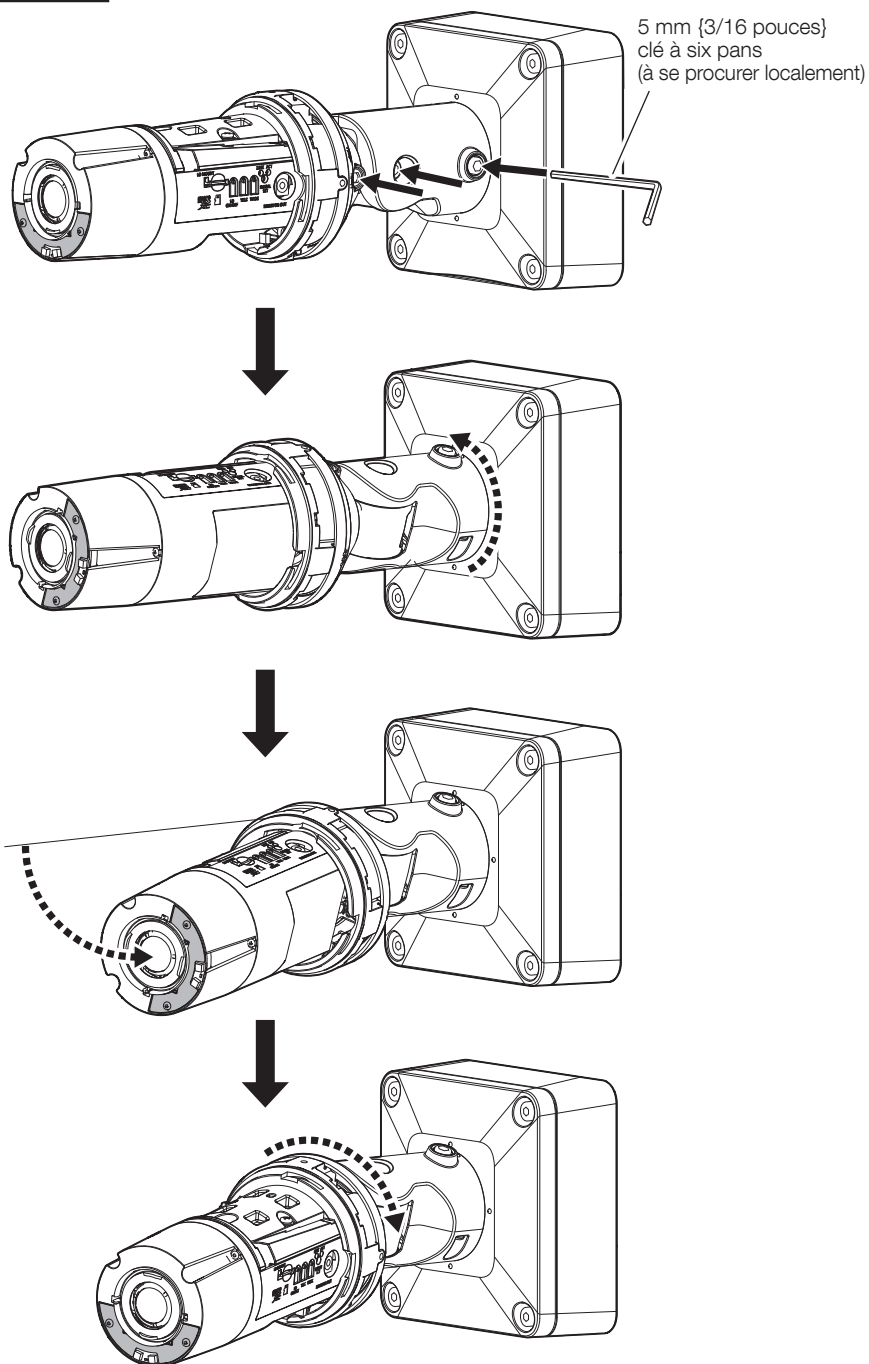
Câble E/S
(WV-QCA501A: option)



2,45 N·m {1,81 lbf·ft}

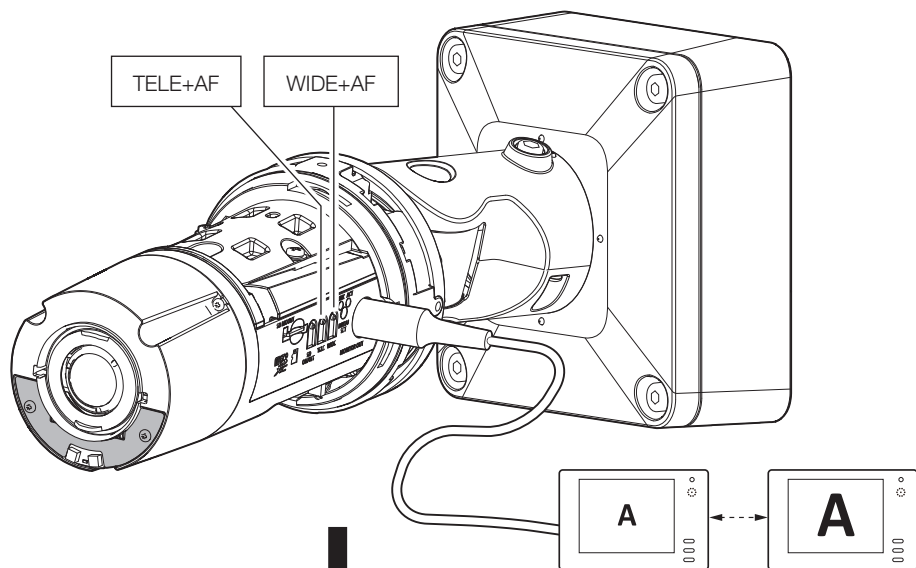
Étape 8

* Réglez grossièrement l'orientation de la caméra avant le réglage. L'exemple ci-dessous montre une caméra tournée vers la droite.



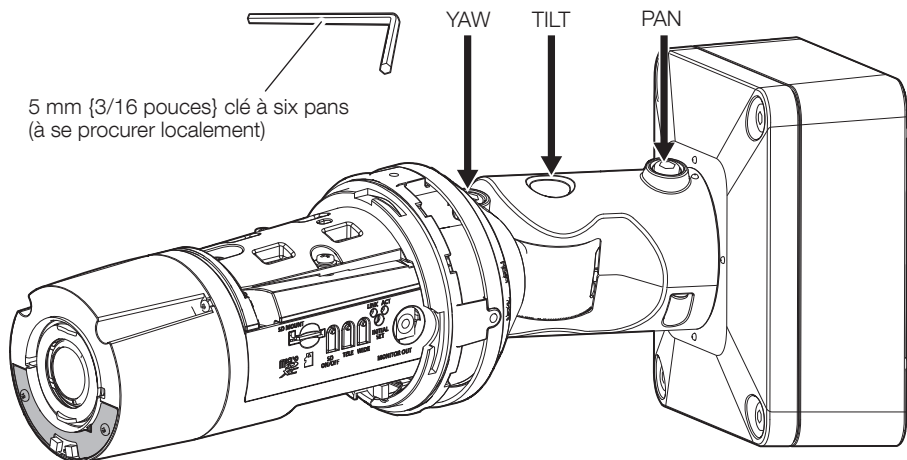
Étape 9

→ Mise sous tension (12 V c.c./PoE+)



↓ Réajustement Étape 8

5 mm {3/16 pouces} clé à six pans
(à se procurer localement)

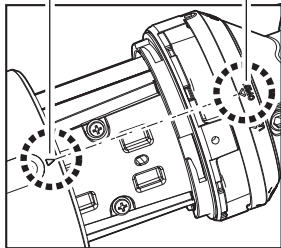


Vis de blocage de balayage panoramique (vis PAN): 2,7 N·m {1,99 lbf·ft})
Vis de blocage d'inclinaison (vis TILT): 4,3 N·m {3,17 lbf·ft})
Vis de blocage de mouvement brusque (vis YAW): 2,7 N·m {1,99 lbf·ft})

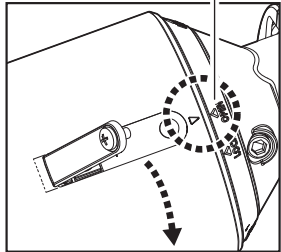
Étape 10

Marque "△"

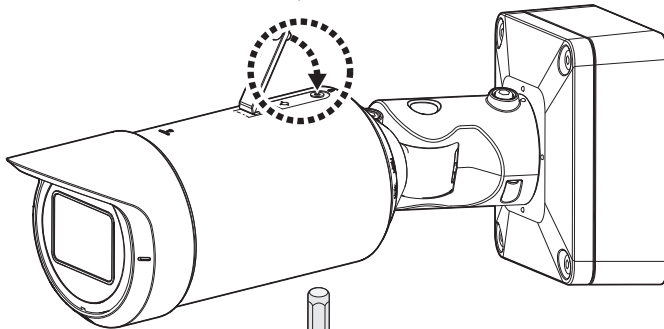
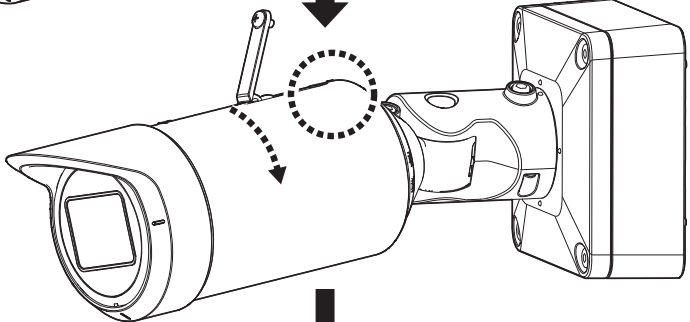
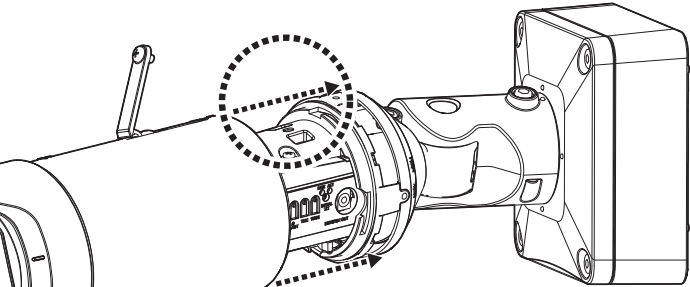
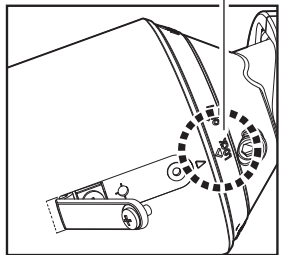
OPEN



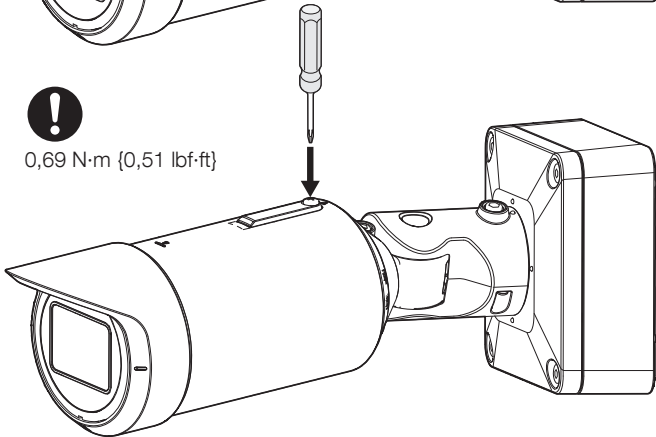
OPEN



LOCK



0,69 N·m {0,51 lbf·ft}



Étape 11



Site Web des informations techniques
"IP Setting Software"
<Contrôle No.: C0123>
ou
"i-PRO Configuration Tool(iCT)"
<Contrôle No.: C0133>

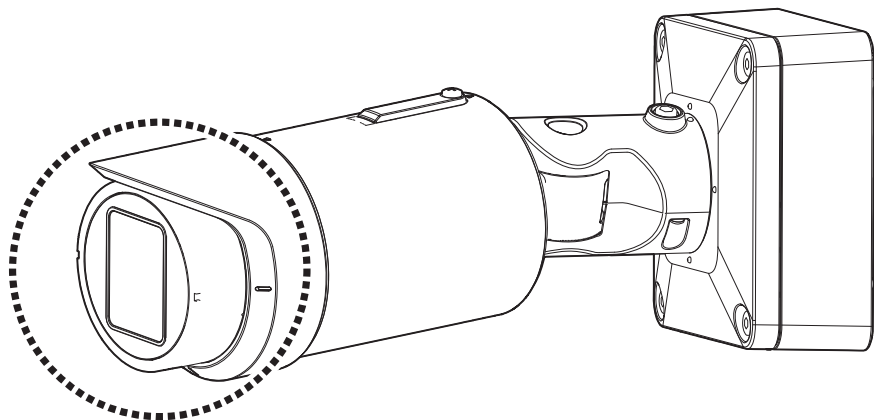
"Extra zoom optique"
<Contrôle No.: C0124>

"How to take a wide depth of field"
<Contrôle No.: C0127>

■ Lors de l'utilisation de "Rotation d'image" → Faire tourner le visière pare-soleil.



Site Web des informations techniques
"Installation method for rotating the sunshade"
<Contrôle No.: C0131>



Installationshandbuch

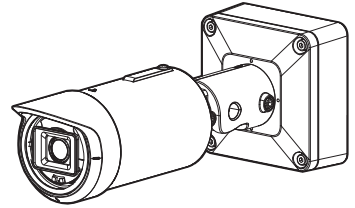
Beiliegende Einbauanleitung

Netzwerkamera

Nur für die professionelle Anwendung

Verwendung im Freien

Modell-Nr. WV-X15700-V2L
WV-X15600-V2L
WV-X15500-V3L
WV-X15300-V3L



WV-X15700-V2L

Bedienerhandbücher

Die Produktdokumentation besteht aus den folgenden Dokumenten.

- **Installationshandbuch (vorliegendes Dokument):** Bietet die Informationen zu den "Vorsichtsmaßnahmen", "Vorsichtsmaßnahmen zur Installation" und dem Montageverfahren.
- **Web-Anleitung (siehe den Link auf der folgenden Produktinformations-Website):** Enthält Installationsvideos, Grundfunktionen und grundlegende Betriebsmethoden für dieses Gerät.
- **User manual (Nur Englisch) (siehe den Link auf der folgenden Produktinformations-Website):** In diesem Abschnitt werden die Software-Bedienungsanweisungen beschrieben, die für alle Modelle gelten.
https://i-pro.com/products_and_solutions/en/surveillance/documentation-database



Die in diesen Dokumenten verwendete "<Kontroll-Nr.: C****>" kann zur Suche auf unserer Website für technische Informationen (https://i-pro.com/products_and_solutions/en/surveillance/learning-and-support/knowledge-base/technical-information) verwendet werden und leitet Sie zu den richtigen Informationen weiter.



- Bitte lesen Sie diese Bedienungsanleitung vor dem Anschließen und der Inbetriebnahme dieses Produkts aufmerksam durch und speichern Sie das Merkblatt "Important Safety Instructions" zur späteren Verwendung.
- Die microSDXC/ microSDHC/ microSD-Speicherkarte sind unter dem Begriff microSD-Speicherkarte zusammengefasst.
- Die Abbildungen in diesem Handbuch, die das äußere Aussehen und Teile des Geräts zeigen, können aufgrund laufender Verbesserungen geringfügig vom tatsächlichen Produkt abweichen.

i-PRO Co., Ltd.

Tokyo, Japan

<https://www.i-pro.com/>

Authorised Representative in EU:
i-PRO EMEA B.V.
Laarderhoogtweg 25, 1101 EB
Amsterdam, Netherlands

i-PRO EMEA B.V. UK Branch
1010 Cambourne Business Park,
Cambridgeshire CB23 6DP



Entsorgung von Altgeräten und Batterien

Nur für die Europäische Union und Länder mit Recyclingsystemen



Dieses Symbol, auf den Produkten, der Verpackung und/oder den Begleitdokumenten, bedeutet, dass gebrauchte elektrische und elektronische Produkte sowie Batterien nicht in den allgemeinen Hausmüll gegeben werden dürfen.

Bitte führen Sie alte Produkte und verbrauchte Batterien zur Behandlung, Aufarbeitung bzw. zum Recycling gemäß den gesetzlichen Bestimmungen den zuständigen Sammelpunkten zu. Endnutzer sind in Deutschland gesetzlich zur Rückgabe von Altbatterien an einer geeigneten Annahmestelle verpflichtet. Batterien können im Handelsgeschäft unentgeltlich zurückgegeben werden.

Indem Sie diese Produkte und Batterien ordnungsgemäß entsorgen, helfen Sie dabei, wertvolle Ressourcen zu schützen und eventuelle negative Auswirkungen, insbesondere beim Umgang mit lithiumhaltigen Batterien, auf die menschliche Gesundheit und die Umwelt zu vermeiden.

Für mehr Informationen zu Sammlung und Recycling, wenden Sie sich bitte an Ihren örtlichen Abfallentsorgungsdienstleister.

Gemäß Landesvorschriften können wegen nicht ordnungsgemäßer Entsorgung dieses Abfalls Strafgebühren verhängt werden.



Hinweis für das Batteriesymbol (Symbol unten)

Dieses Symbol kann in Kombination mit einem chemischen Symbol abgebildet sein. In diesem Fall erfolgt dieses auf Grund der Anforderungen derjenigen Richtlinien, die für die betreffende Chemikalie erlassen wurden.

WARNUNG:

- Der Betrieb dieses Produkts in einem Wohngebiet kann Funkstörungen verursachen.

Vorsicht:

- Die Gleichstromversorgung für dieses Gerät muss aus demselben Gebäude stammen.
- Die Netzwerkkamera ist für den Anschluss an ein Ethernet- bzw. PoE-Netzwerk bestimmt und darf nicht nach außen geroutet werden.
- Dieses Produkt besitzt keinen Netzschalter. Installieren Sie daher Trennvorrichtungen wie einen Schutzschalter, um die Hauptleistung der Stromversorgungsanlagen zu diesem Produkt unterbrechen zu können.
- Schließen Sie nur ein 12-V-Gleichstromnetzgerät der Klasse 2 (UL 1310/CSA 223), ein Netzgerät mit begrenzter Leistung an (IEC/EN/UL/CSA 60950-1, IEC/EN/UL/CSA 62368-1 Anhang Q) oder IEC/EN/UL/CSA 62368-1 PS2.
- Bitte lesen Sie diese Bedienungsanleitung vor dem Anschließen und der Inbetriebnahme dieses Produkts aufmerksam durch.

Hinweis:

- Dieses Produkt ist nicht zur Verwendung an Orten geeignet, an denen wahrscheinlich Kinder anwesend sind.
- Stellen Sie dieses Produkt nicht an Orten auf, die von gewöhnlichen Personen leicht zu erreichen sind.
- Dieses Produkt ist ein professionelles Gerät.
- Informationen zu den erforderlichen Schrauben und anderen Teilen für den Einbau finden Sie im entsprechenden Abschnitt dieses Dokuments.

■ ■ ■ ■ : Gleichstromsymbol

Vorsichtsmaßnahmen

Um Personen- und Sachschäden zu vermeiden, wird darin erklärt, was unbedingt zu beachten ist. Die Sicherheitshinweise, die für alle Netzwerkkameramodelle von i-PRO gelten, finden Sie auf der Website, die über den zweidimensionalen Barcode auf der rechten Seite verlinkt ist. Bitte achten Sie darauf, sie zu konsultieren.

https://i-pro.com/products_and_solutions/en/surveillance/learning-and-support/knowledge-base/safety-instructions



- **Installieren Sie dieses Produkt nicht in einer eingeschränkten oder verbotenen Umgebung.**
Bei Nichtbeachtung kann es zu Verletzungen, Unfällen oder Fehlfunktionen aufgrund von Herunterfallen kommen.
Bitte beachten Sie die für alle Modelle geltenden Sicherheitshinweise auf der oben genannten Website sowie die Installationshinweise in der Installationsanleitung.
- **Zur Installation an einen Fachhändler wenden.**
Installationsarbeiten erfordern Fachkenntnisse und Erfahrung. Andernfalls besteht die Gefahr von Brand, elektrischem Schlag, Verletzungen, oder Schäden an diesem Produkt. Unbedingt einen Fachhändler konsultieren.
- **Installieren Sie das Produkt ordnungsgemäß und sicher an einer Installationsfläche entsprechend den Installationsanleitungen.**
Bei Nichtbeachtung besteht die Gefahr von Verletzungen oder Unfällen.
- **Treffen Sie Maßnahmen zum Schutz vor dem Herunterfallen des Produkts.**
Andernfalls besteht die Gefahr des Herunterfallens, was zu Verletzungen führen kann.
Befestigen Sie das Produkt mit Schrauben oder Dübeln sicher an der Installationsfläche. Wenn der Fallschutzdraht im Lieferumfang enthalten ist, installieren Sie ihn unbedingt.
- **Bei Störungen des Produkts den Betrieb sofort einstellen.**
Wird das Produkt weiter betrieben, wenn Rauch oder Rauchgeruch austritt oder das Äußere beschädigt ist, kann es zu Brand oder zum Herunterfallen des Produkts kommen, was Verletzungen, Unfälle oder Schäden am Eigentum zur Folge haben kann.
In diesem Fall sofort die Stromversorgung ausschalten und das Gerät von einem qualifizierten Kundendiensttechniker warten lassen.
- **Führen Sie regelmäßige Inspektionen durch.**
Bei Verwendung von rostigen Metallteilen oder Schrauben kann das Produkt herunterfallen und dabei Verletzungen oder Unfälle verursachen.
Kontrollen durch Fachhändler durchführen lassen.
Schalten Sie vor der Inspektion oder Wartung unbedingt den Strom ab.

Vorsichtsmaßnahmen zur Installation

i-PRO Co., Ltd. übernimmt keine Verantwortung für Verletzungen oder Sachschäden, die aus der Installation oder Bedienung resultieren, die nicht wie in dieser Dokumentation beschrieben ausgeführt werden.

■ **Das Produkt muss entsprechend dem Installationshandbuch sicher an einer Installationsfläche befestigt werden, um eine Verletzung zu vermeiden.**

■ **Installationsbereich für dieses Produkt**

Zur Installation des Produkts eine für den vorgesehenen Einsatz geeignete Einbaufäche wählen (z.B. eine starke Installationsfläche).

- Sicherstellen, dass die Einbaustelle stark genug ist, um das Gewicht des Produkt zu tragen (z.B. eine Betondecke).
- Die Kamera an einem Gebäudepfeiler oder sonstiger starker Bestandteil des Bauwerks installieren.
- Von der Montage des Produkt an Gipskartonplatten oder Holzteilen wird abgeraten, da diese nicht die nötige Festigkeit aufweisen. Falls die Montage des Produkts auf einer solchen Fläche unvermeidlich ist, muss die Fläche ausreichend verstärkt werden.

■ **Folgende Standorte sind zu vermeiden**

- Orte, die chemischen Stoffen ausgesetzt sind, z.B. in der Nähe eines Schwimmbads
- Orte, wo Feuchtigkeit und ölige Dünste auftreten, z.B. eine Küche
- Orte, wo die Luft leicht entflammbar Gase oder Lösungsmittel enthält
- Orte, wo Strahlung, Röntgenstrahlen, starke elektromagnetische Wellen oder Magnetfelder erzeugt werden
- Orte in der Nähe von Küsten, die direkt der Meeresbrise ausgesetzt sind, oder Orte, die ätzenden Gasen wie zum Beispiel heißen Quellen, vulkanischen Regionen usw. ausgesetzt sind
- Orte, wo die Temperatur nicht im vorgeschriebenen Bereich liegt
- Vibration ausgesetzte Kamerastandorte, wie z.B. an Bord von Fahrzeugen oder Schiffen oder über Produktionsstraßen (Dieses Produkt ist nicht für den Betrieb an Bord eines Fahrzeugs bestimmt.)
- Orte, an denen es infolge starker Temperaturschwankungen zu Kondensation kommt, wie z. B. in der Nähe des Außengeräts einer Klimaanlage.
- Orte in der Nähe von Gummiprodukten, die Schwefel enthalten (Dichtungen, GummifüÙe usw.)

■ **Festziehen der Schrauben**

Keinen Schlagschrauber verwenden. Durch Schlagschrauber könnten die Schrauben beschädigt oder zu fest angezogen werden.

■ **Über Lichtreflektionen von außen oder Infrarotlicht**

In Abhängigkeit vom Einfallswinkel des externen Lichts kann auf dem Bildschirm ein Geisterbild erscheinen. Bei Verwendung von Infrarotlicht kann die Installation der Kamera in der Nähe einer Wand zu Reflektionen der Infrarotstrahlung führen, was dazu führt, dass ein Teil oder der gesamte Bildschirm weißlich erscheint.

- Bildbeispiele und die zu ergreifenden Maßnahmen finden Sie auf unserer Website für technische Informationen <Kontroll-Nr.: C0109>.

■ **Feuchtigkeit beachten**

Das Produkt bei geringer Feuchtigkeit installieren. Wird die Installation im Regen oder unter sehr feuchten Bedingungen durchgeführt, kann die Innenseite durch Feuchtigkeit beeinträchtigt werden, was zu einer Beschlagbildung im Inneren der Frontblende führen kann.

■ **Blitzschutz**

Bei im Freien verlegten Kabeln besteht die Möglichkeit, dass sie Blitzschlag ausgesetzt sind. In diesem Fall einen Blitzableiter in der Nähe der Kamera anbringen, dabei sollte das Netzkabel zwischen Kamera und Blitzableiter so kurz wie möglich gehalten werden, um die Wirkung des Blitzableiters zu optimieren. Siehe unsere Website für technische Informationen <Kontroll-Nr.: C0121>

■ **Vermeidung von Rauschen**

In der Nähe eines starken elektrischen Feldes einer TV- oder Radioantenne, eines Motors und Transformators oder eines starken elektrischen Feldes/Magnetfeldes einer Starkstromleitung (Überlandleitung) von 100 V oder mehr Wechselstrom kann ein Rauschen im Bild und Ton auftreten. Führen Sie die Arbeiten an den Stromleitungen so durch, dass sie 1 m von ihnen entfernt sind, oder führen Sie die Arbeiten an den Stromleitungen mit Metallrohren durch. (Achten Sie stets auf die Erdung der Metallrohre.)

■ **Typenschild mit Typenbezeichnung und Stromversorgungsdaten**

Typenbezeichnung und andere Informationen wie die Stromversorgung des Produkts sind auf dem Typenschild auf der Rückseite des Standfußes angegeben.

■ **VCCIについて**

この装置は、クラスA機器です。この装置を住宅環境で使用すると電波妨害を引き起こすことがあります。この場合には使用者が適切な対策を講ずるよう要求されることがあります。 VCCI-A

■ **Statische Elektrizität**

Bevor Sie dieses Produkt installieren oder entfernen, berühren Sie unbedingt erst einen Metallgegenstand, um statische Elektrizität aus Ihrem Körper abzuleiten.

Technische Daten

Stromversorgung* ¹ , * ² :	12 V Gleichstrom PoE+ (IEEE802.3at-konform)
Leistungsaufnahme* ¹ , * ² :	12 V Gleichstrom: 1,2 A / Ca. 14,2 W PoE+ 54 V Gleichstrom: 260 mA / Ca. 14,0 W (Gerät der Klasse 4)
Einsatzbedingungen	
Betriebsumgebungstemperatur:	-40 °C bis +55 °C* ³ (Einschaltbereich: -30 °C bis +55 °C)
Betriebsumgebungs-Luftfeuchtigkeit:	10 % bis 100 % (kondensationsfrei)
Lagerbedingungen	
Lagertemperatur:	-30 °C bis +60 °C
Lagerfeuchtigkeit:	10 % bis 95 % (kondensationsfrei)
Wasser- und staubdicht** ⁴ :	IP67/IP66 (IEC 60529), Typ 4X (UL50E), Entspricht NEMA 4X
Stoßfestigkeit:	IK10 (IEC 62262)
Windbeständigkeit:	Bis zu 40 m/s
Abmessungen:	133 mm (B) x 133 mm (H) x 383 mm (L)
Masse:	Ca. 2,5 kg
Lackierung:	Gehäuse: Aluminium-Druckguss/Harz, i-PRO Weiß Äußere Befestigungsschrauben: Edelstahl (Korrosionsbeständige Behandlung) Frontblende: PC-Harz, Clear Clear (mit ClearSight-Beschichtung)

*1 Weitere Informationen über die Stromversorgung und Leistungsaufnahme finden Sie auf unserer Website für technische Informationen <Kontroll-Nr.: C0106>.

*2 Bei Verwendung einer 12-V-Gleichstromversorgung für dieses Produkt, der EXT-I/O-Klemme, des Audioeingangs und Audioausgangs ist ein E/A-Kabel (WV-QCA501A: Option) erforderlich.

*3 Bei Verwendung der dauerhaft leuchtenden IR-LED-Lampe beträgt die Obergrenze des Betriebstemperaturbereichs +50 °C.

*4 Unter der Voraussetzung, dass die Montage den in diesem Installationshandbuch enthaltenen Anweisungen entspricht und eine geeignete Wasserabdichtung aufgebracht wurde.

Sonderzubehör



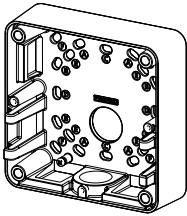
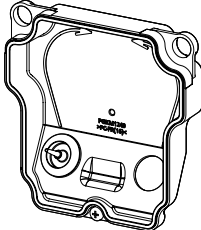
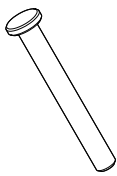
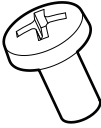
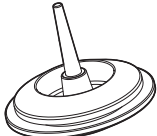
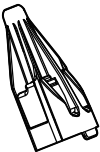

Aktuelle Informationen → Website für technische Informationen "Accessory Selector"
<Kontroll-Nr.: C0501>

Fehlersuche

Bevor Sie Hilfe anfordern, siehe "Fehlersuche" in der "Web-Anleitung". Prüfen Sie anschließend das Problem.

Standardzubehör

Important Safety Instructions 1 St.

			
Adapterdose x1		Tüllenabdeckung x1	
			
Adapterdose Montagestift x1	Montageschraube M4x8 mm x2 (einschl. 1 Reserve)	Tülle x2 (einschl. 1 Reserve)	RJ45-Kappe x1
		Regenwasserabweisendes Etikett x1 (mit ClearSight-Beschichtung)	

Sonstige benötigte Gegenstände (nicht im Lieferumfang inbegriffen)

● Montageschrauben

Montageverfahren	Empfohlene Schraube*1	Mindestausreißfestigkeit*2
Montage der Kamera direkt an der Installationsfläche.	M4 x 16 mm x 4 St.*3,*4	724 N
Die Kamera an einer Zweifach-Gangbox/Anschlussdose montieren.		
Montieren Sie die Kamera mithilfe der exklusiv dafür vorgesehenen Montagehalterung.	Beachten Sie die Bedienungsanleitung für die Halterung.	

*1 Wählen Sie Schrauben entsprechend dem Material des Ortes, an dem die Kamera montiert werden soll. Holzschrauben oder Nägel dürfen nicht verwendet werden.

*2 Dieser Wert gibt die erforderliche Mindestausreißfestigkeit pro Schraube an. Informationen zur Mindestausreißfestigkeit finden Sie auf unserer Website für technische Informationen <Kontroll-Nr.: C0120>.

*3 Die Schraubenlänge ist ein Beispiel für die Installation der Kamera an einer robusten Installationsfläche mit einer Dicke von 20 mm oder mehr.

*4 Ziehen Sie bitte die Verwendung von korrosionsbeständigen Montageschrauben oder Dichtmitteln in Betracht.

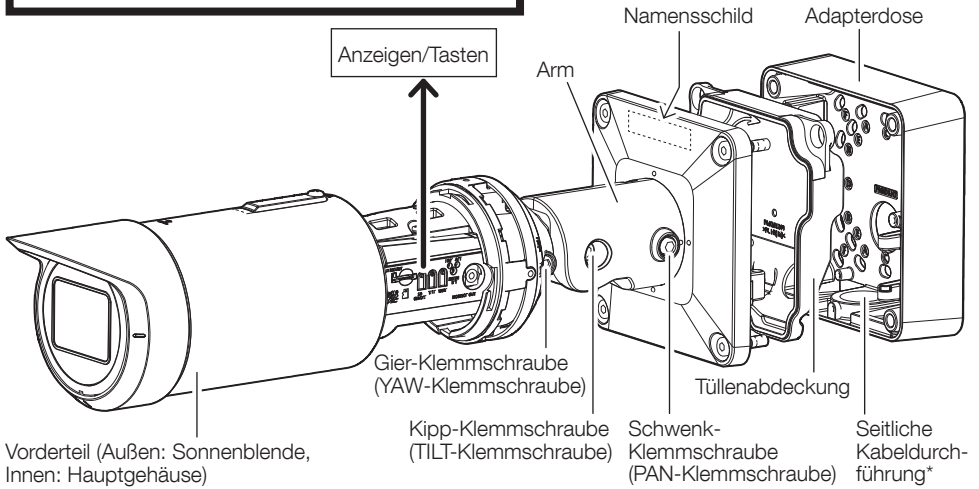
● Ethernetkabel mit RJ45-Stecker (Kategorie 5e oder besser, geradlinig, alle 4 Leiterpaare (8 Pins), weniger als 100 m)

● Bei Bedarf Audio-Eingangskabel, Audioausgangskabel, Alarm-E/A-Kabel, Stromversorgungskabel

● 5mm-Sechskantschlüssel

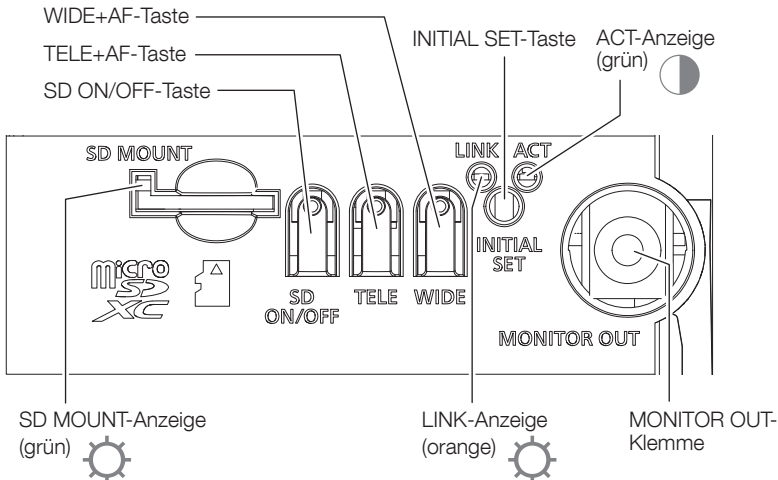
Installationsverfahren

Teile und Funktionen



* Kabelrohranschlussbereich
 (Entspricht CTG22 des JIS C 8305 (Kabelrohrgewinde) oder G3/4 des JIS B 0202 (Parallelgewinde))

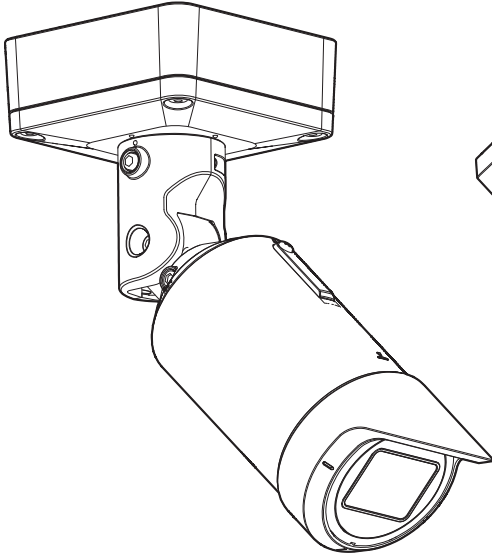
Anzeigen/Tasten



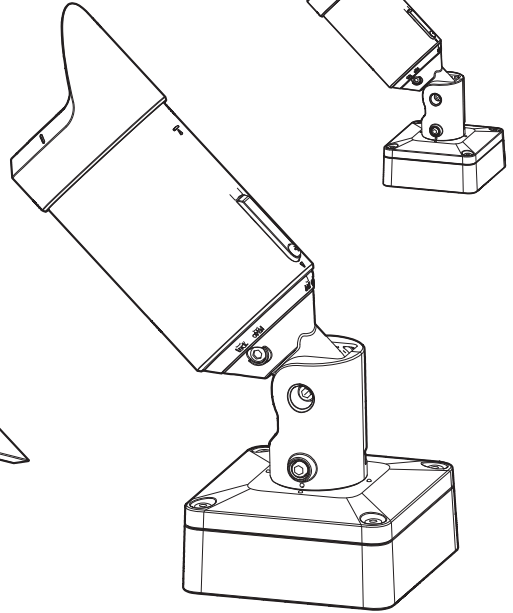
- Bedienungsanleitung [Anzeige] Alle LEDs werden zwangsweise ausgeschaltet
- User manual "Format"
- Für die i-PRO-Geräte wird die Verwendung einer microSD-Speicherkarte empfohlen.

Montageverfahren

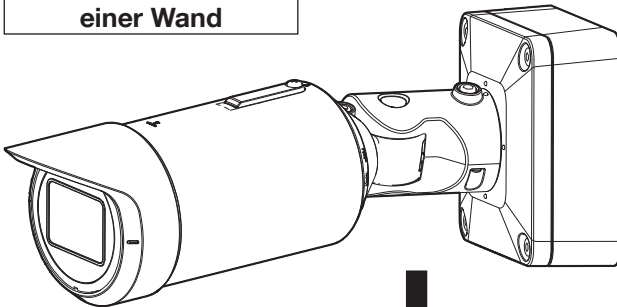
Für die Installation an
einer Decke



Für die Verwendung
auf dem Schreibtisch



Für die Installation an
einer Wand

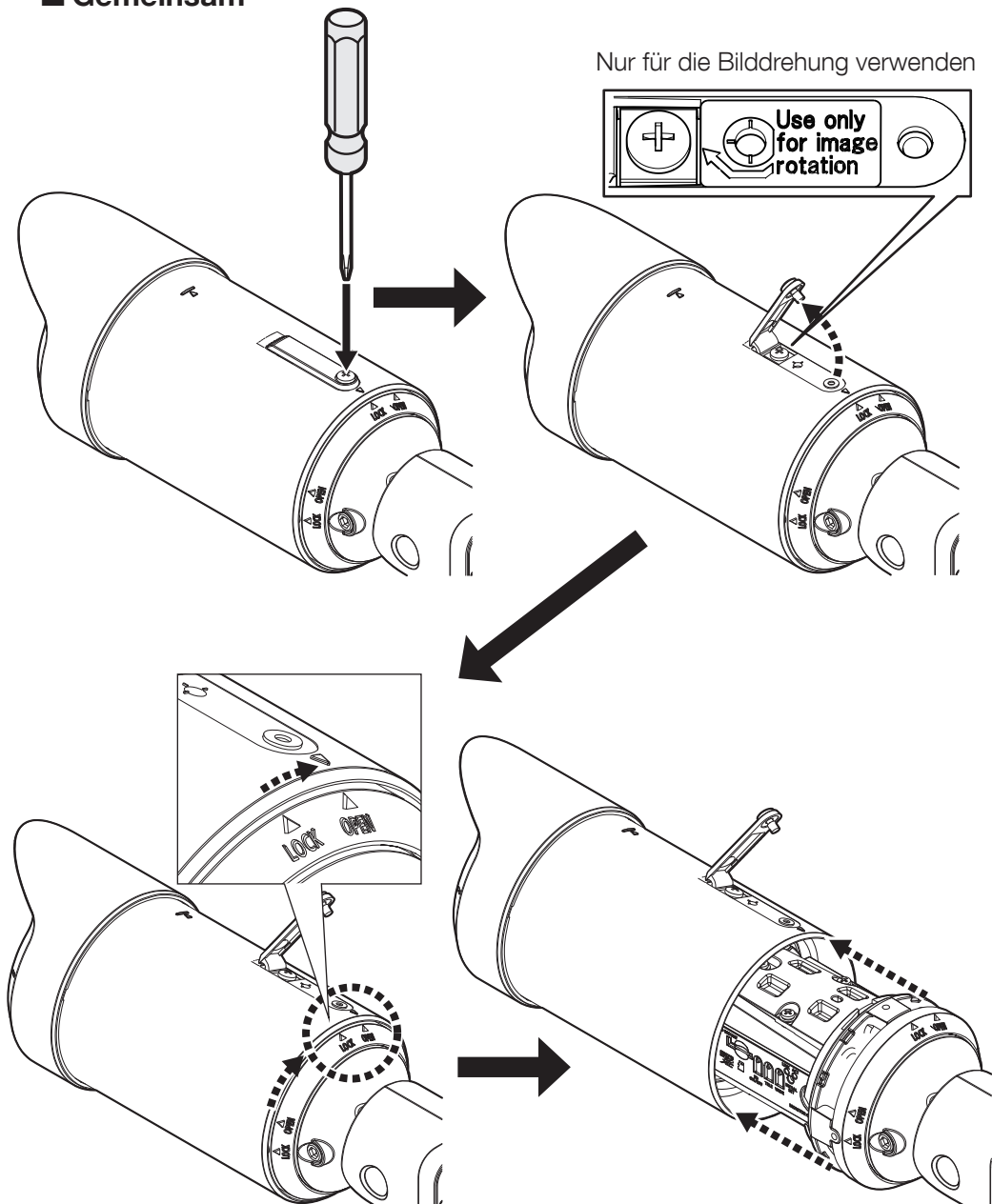


Beispiel einer Erläuterung für die Installation

Schritt 1

Vorbereitungen

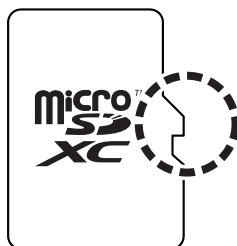
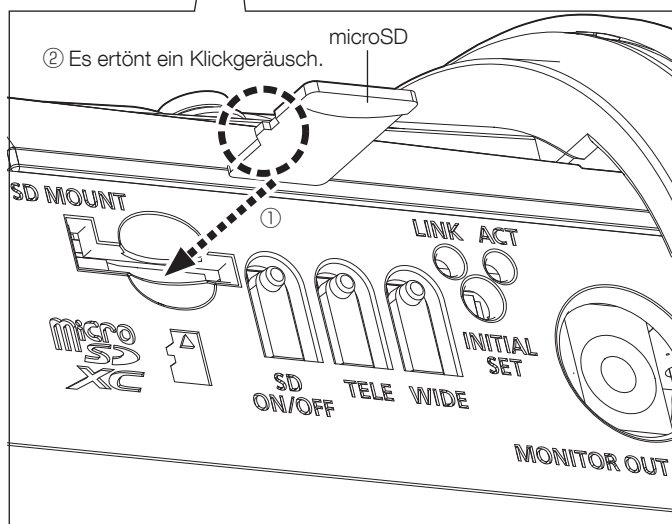
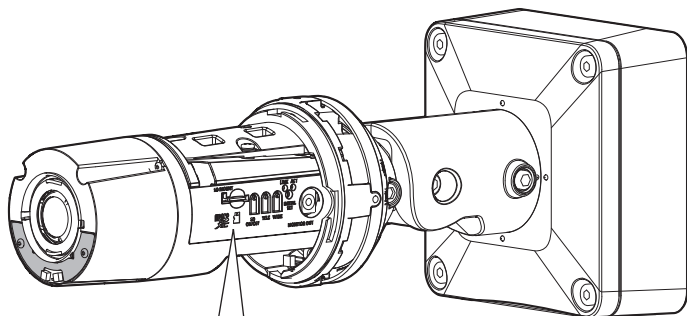
■ Gemeinsam



Schritt 1

Vorbereitungen (Fortsetzung)

■ Bei Verwendung einer microSD-Karte

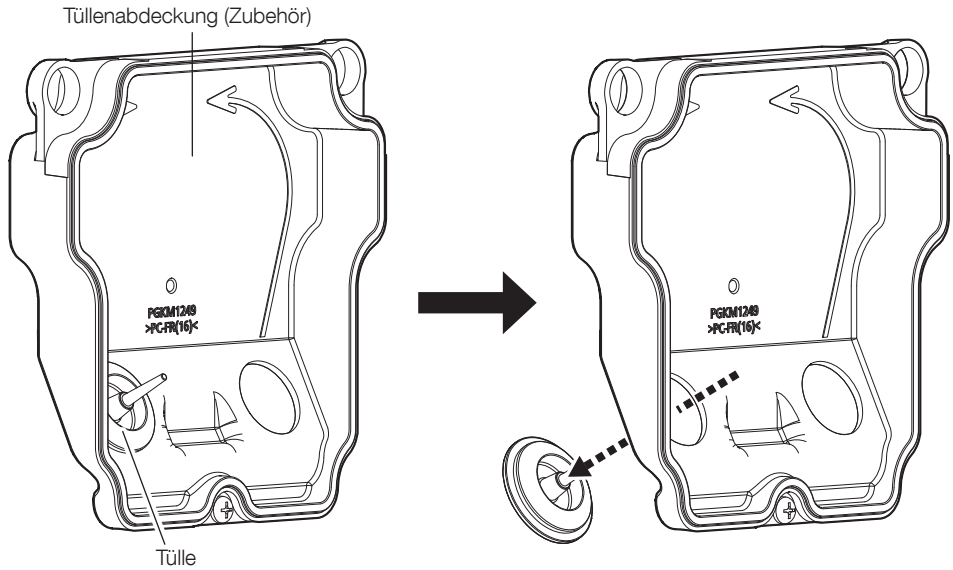


- User manual "Format"
- Für die i-PRO-Geräte wird die Verwendung einer microSD-Speicherkarte empfohlen.

Schritt 1

Vorbereitungen (Fortsetzung)

■ Bei Verwendung eines E/A-Kabels (WV-QCA501A: Option)



Schritt 2

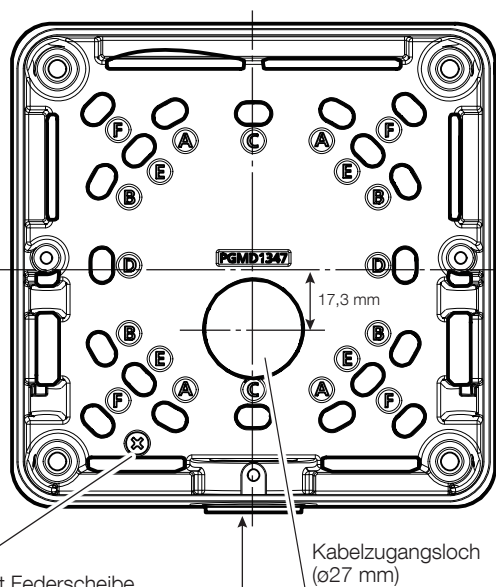
	Vertikale Richtung	Horizontale Richtung
A	83,5 mm (82,5 mm)	46 mm (47,6 mm)
B	46 mm (47,6 mm)	83,5 mm (82,5 mm)
C	83,5 mm (83,3 mm)	–
D	–	83,5 mm (83,3 mm)
E	63 mm	63 mm
F	85,7 mm	85,7 mm



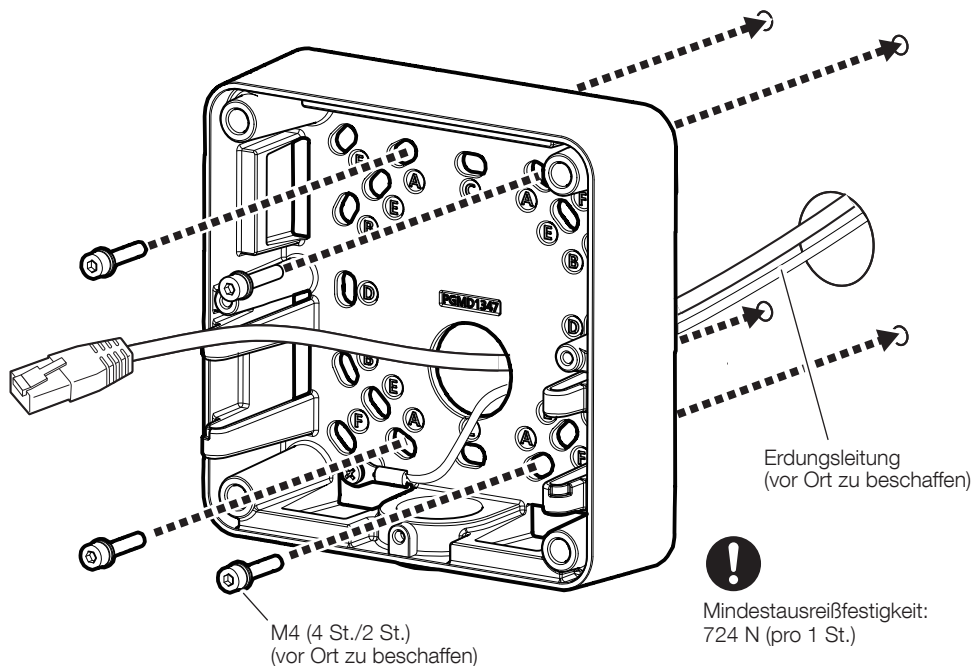
Website für technische Informationen
 "Countermeasure for Lightning Surge"
 <Kontroll-Nr.: C0121>



M3×8 mm
 Schraube mit Federscheibe
 Empfohlenes Anzugsmoment:
 0,69 N·m



Kabelzugangsloch für
 Kabelrohr



M4 (4 St./2 St.)
 (vor Ort zu beschaffen)

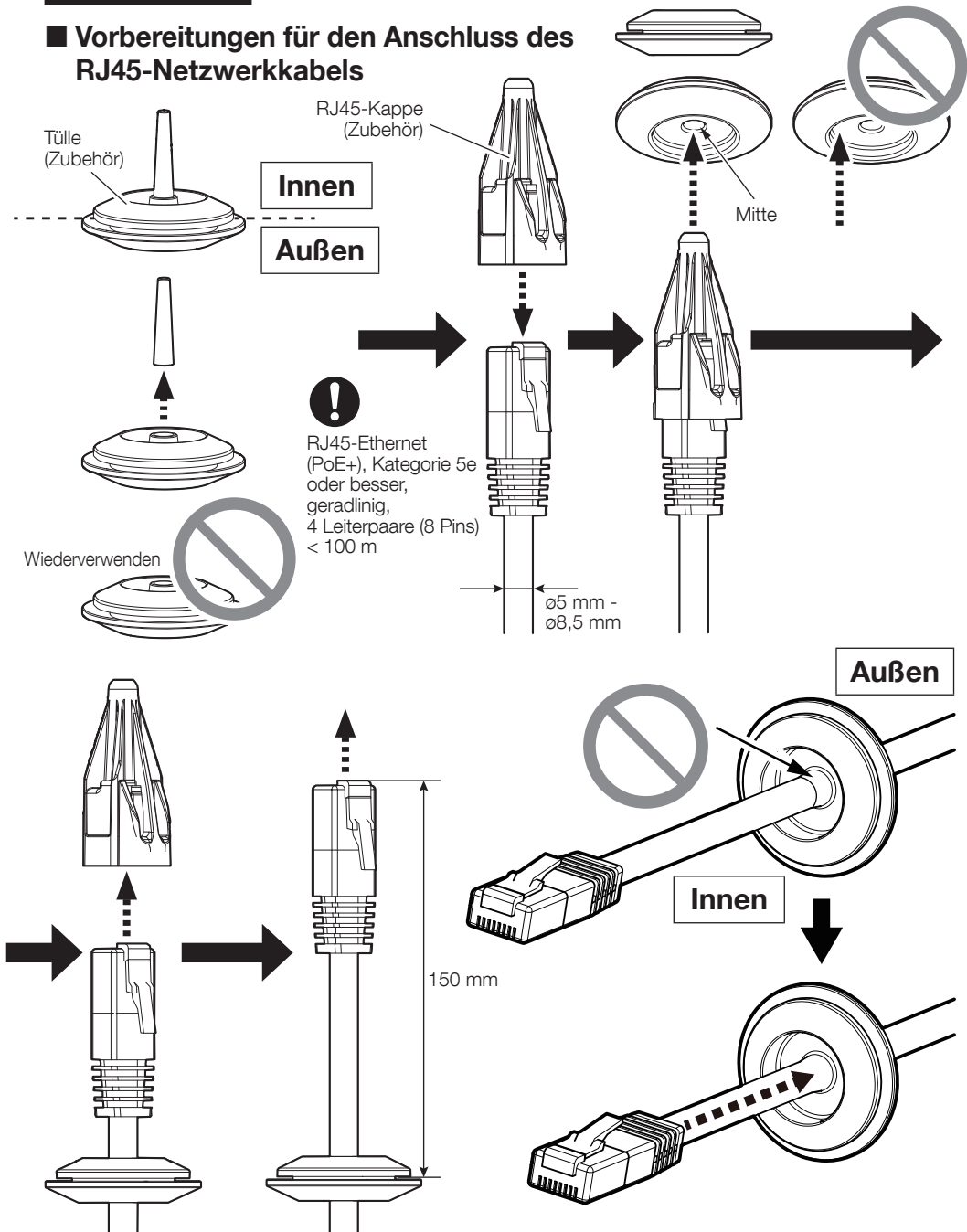
Erdungsleitung
 (vor Ort zu beschaffen)



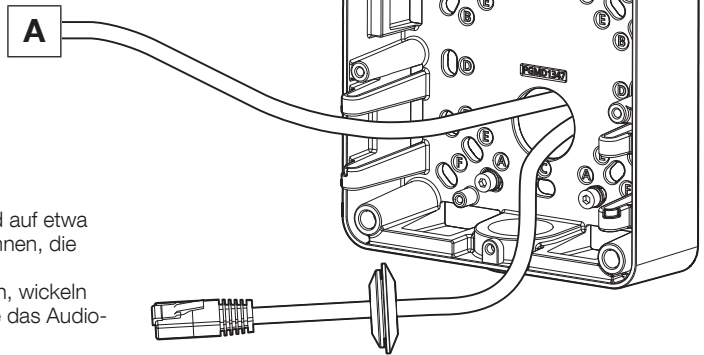
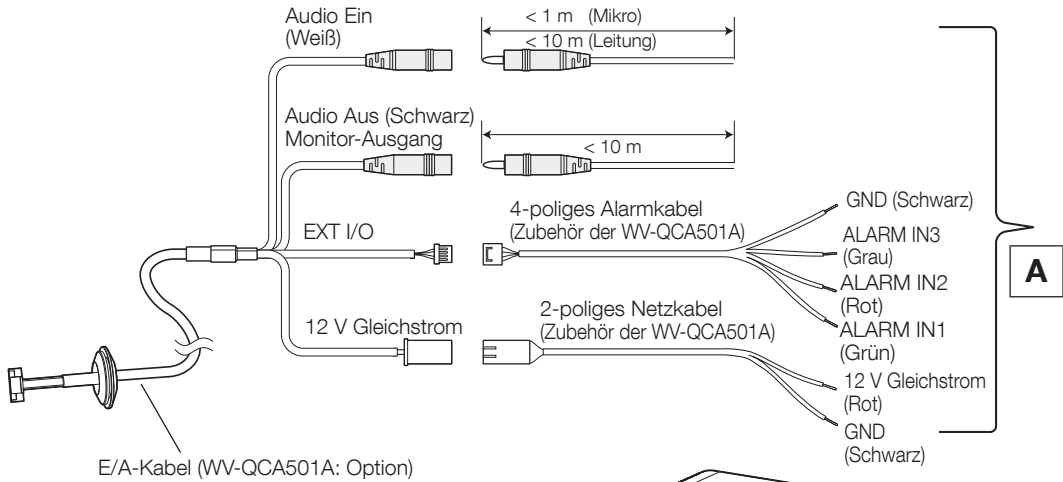
Mindestausreißfestigkeit:
 724 N (pro 1 St.)

Schritt 3

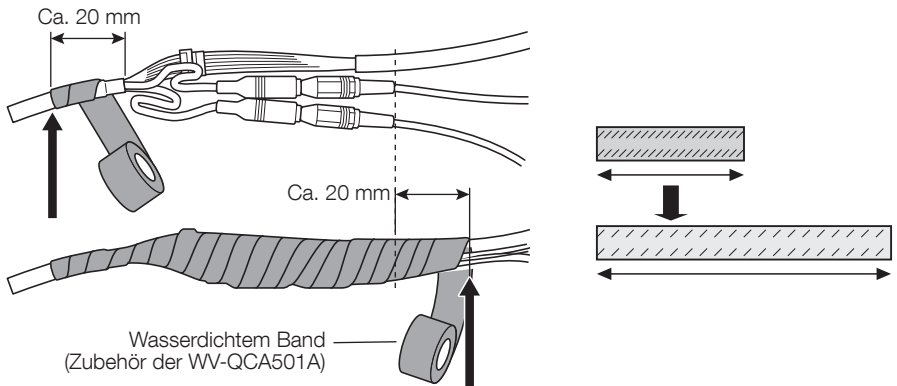
■ Vorbereitungen für den Anschluss des RJ45-Netzwerkkabels



■ Bei Verwendung eines E/A-Kabels (WV-QCA501A: Option)



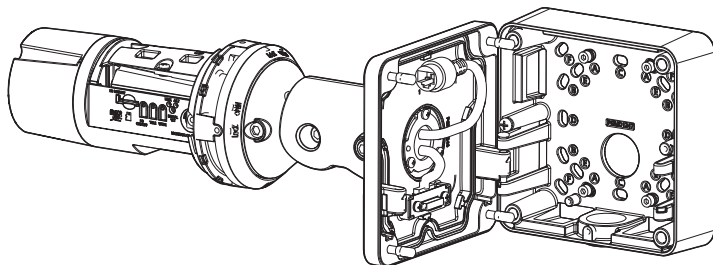
- Das wasserdichte Band auf etwa die doppelte Länge dehnen, die verwendet werden soll.
- Um das Band zu kürzen, wickeln Sie es auf, während Sie das Audio-kabel locker lassen.



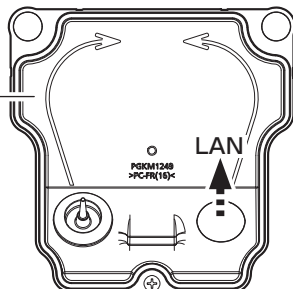
Schritt 4

Die folgenden Abbildungen sind Beispiele für den Anschluss nur des RJ45-Netzwerkkabels.

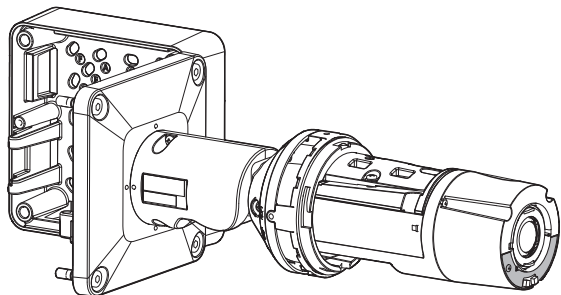
Öffnung nach links



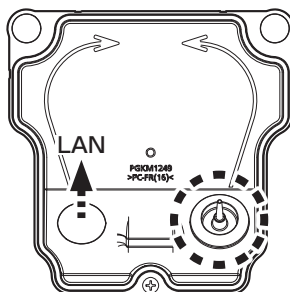
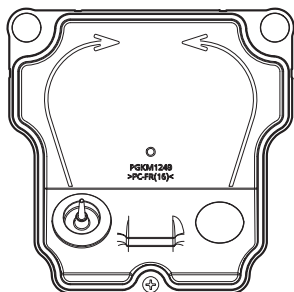
Tüllenabdeckung
(Zum Zeitpunkt der Auslieferung ab Werk
ist eine Tülle im linken Loch angebracht.)



Öffnung nach rechts

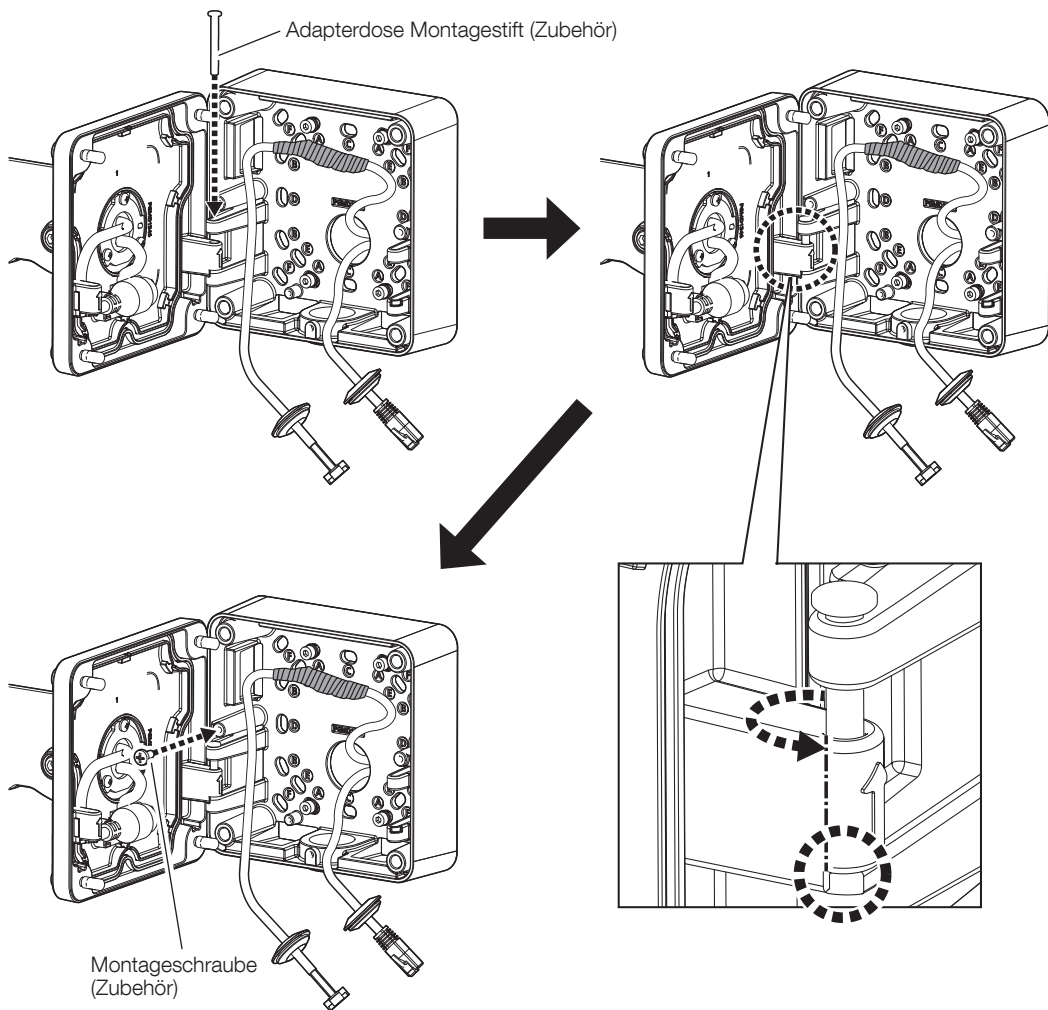


- Versetzen Sie bei der Installation mit einer rechten Öffnung die Tülle aus dem linken Loch in das rechte Loch.



Schritt 5

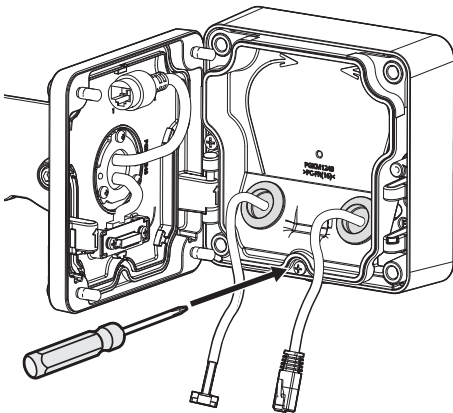
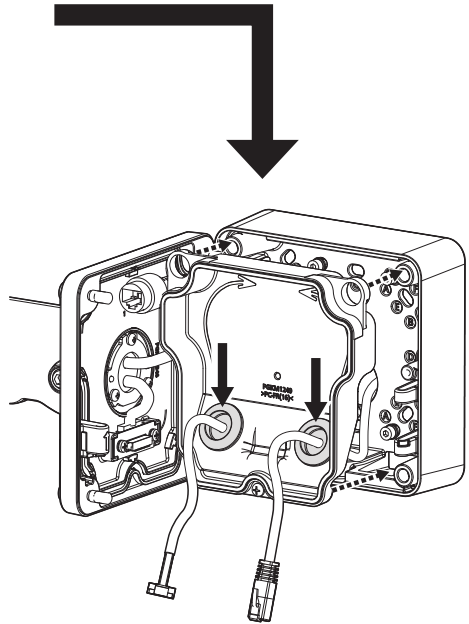
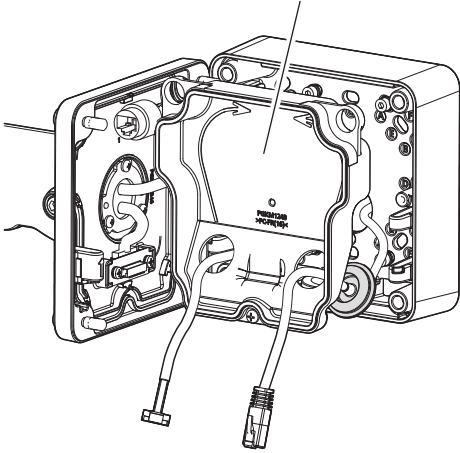
Die folgenden Abbildungen zeigen Beispiele für eine Installation mit der Öffnung nach links.



Empfohlenes Anzugsmoment: 0,69 N·m

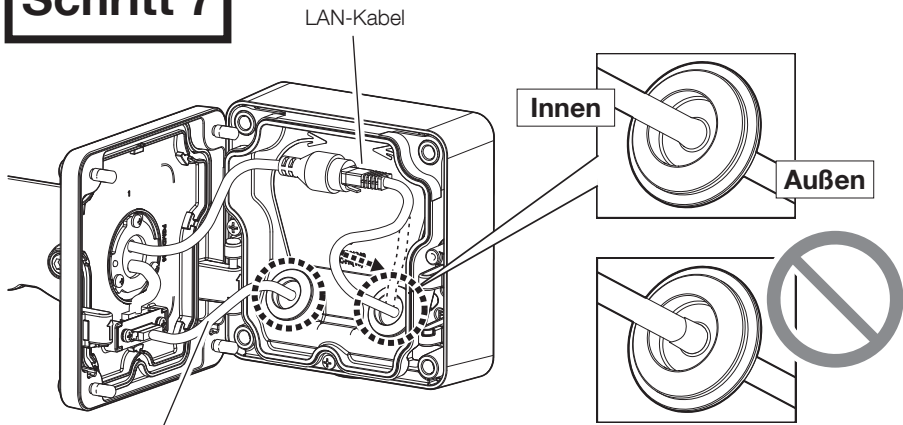
Schritt 6

Tüllenabdeckung (Zubehör)

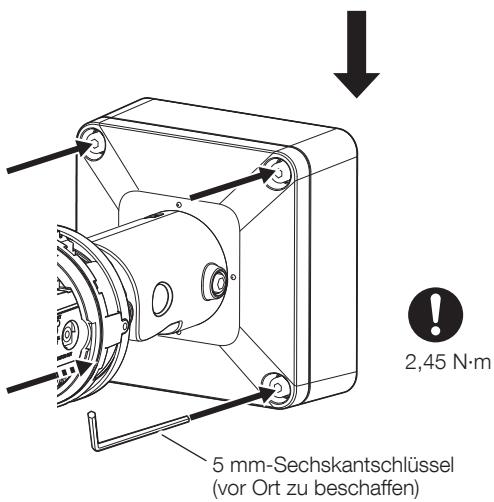
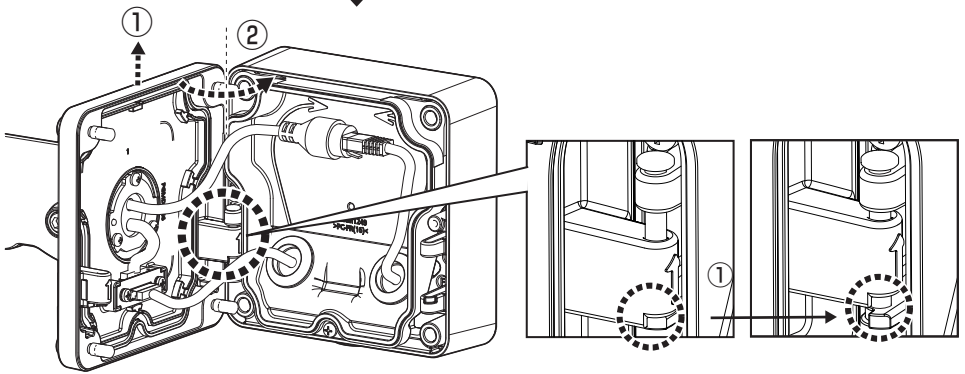


0,69 N·m

Schritt 7

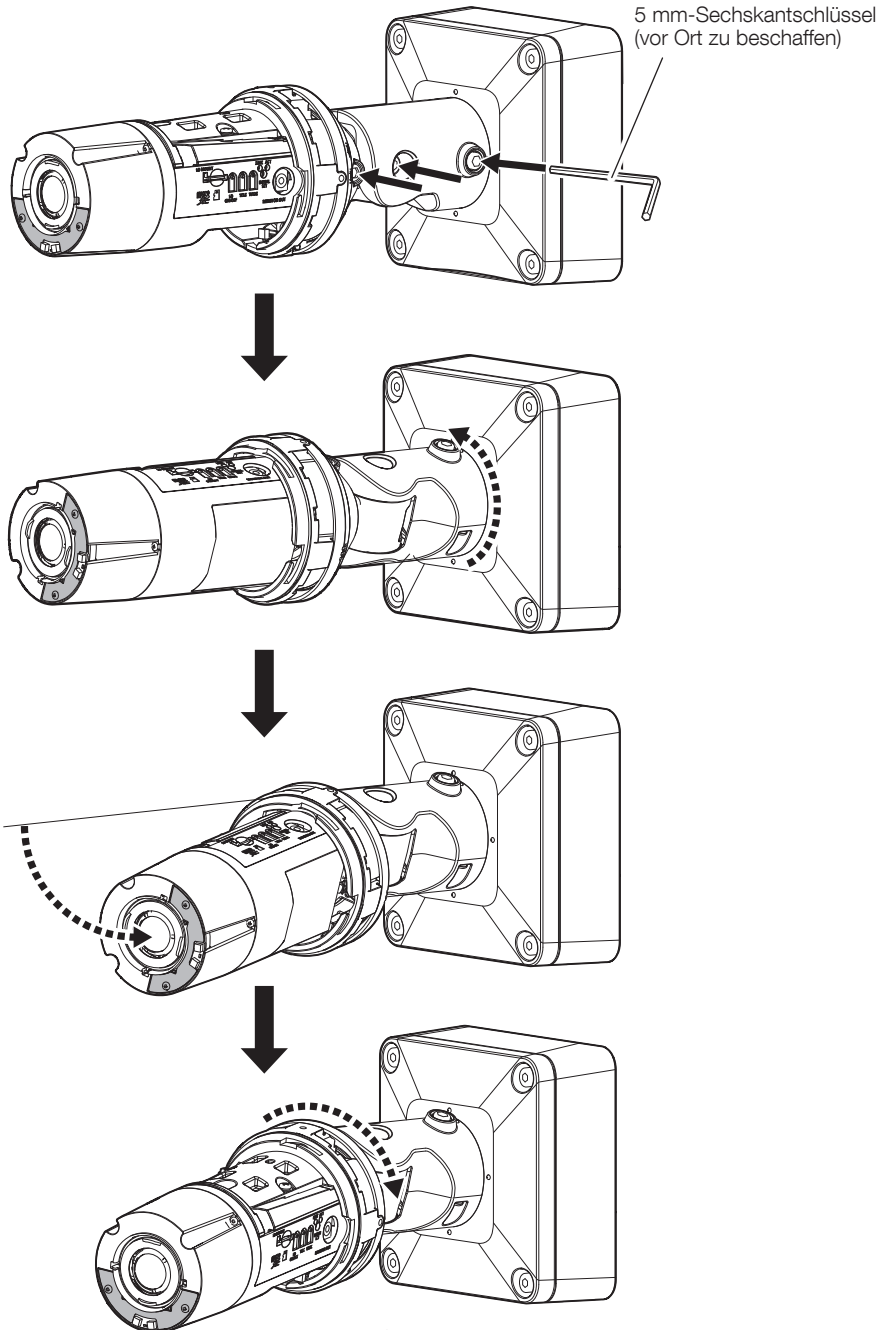


E/A-Kabel
(WV-QCA501A: Option)



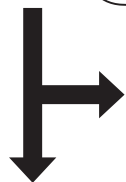
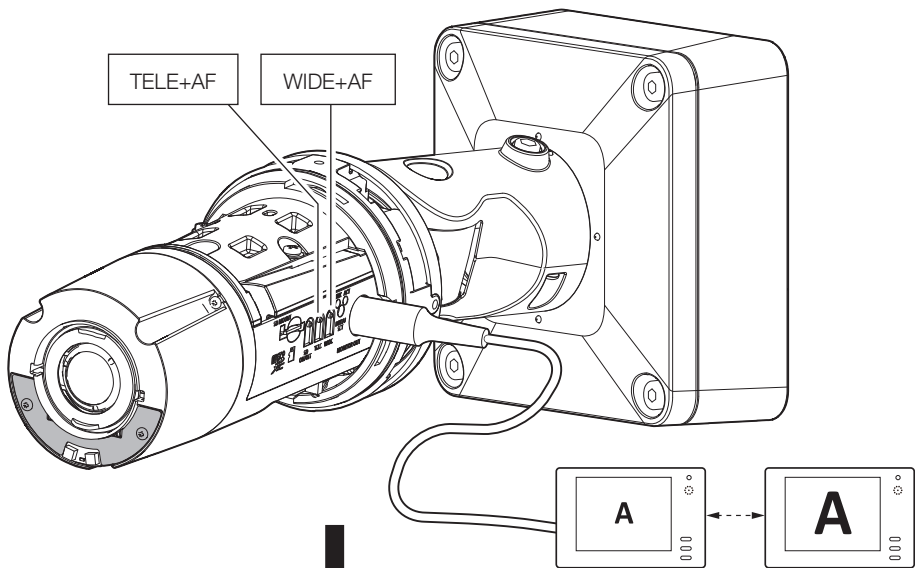
Schritt 8

* Stellen Sie die Richtung der Kamera grob ein, bevor Sie sie genau einstellen.
Die folgende Abbildung zeigt ein Beispiel mit nach rechts gedrehter Richtung der Kamera.



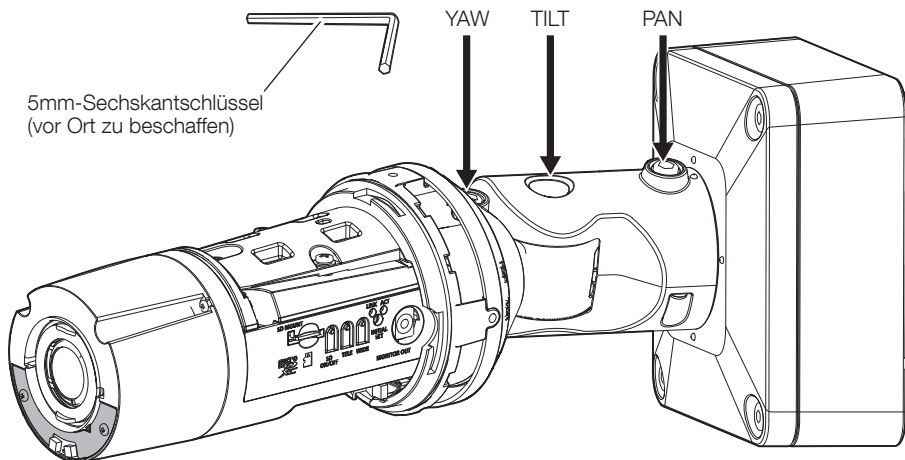
Schritt 9

→ Strom Ein (12 V Gleichstrom/PoE+)



Nachjustierung Schritt 8

5mm-Sechskantschlüssel
(vor Ort zu beschaffen)

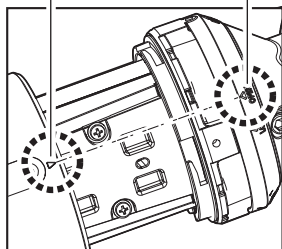


Schwenk-Klemmschraube (PAN-Klemmschraube): 2,7 N·m
Kipp-Klemmschraube (TILT-Klemmschraube): 4,3 N·m
Gier-Klemmschraube (YAW-Klemmschraube): 2,7 N·m

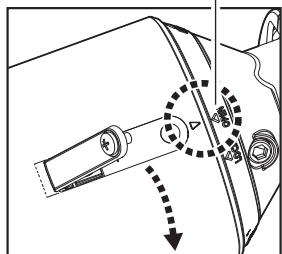
Schritt 10

△-Markierung

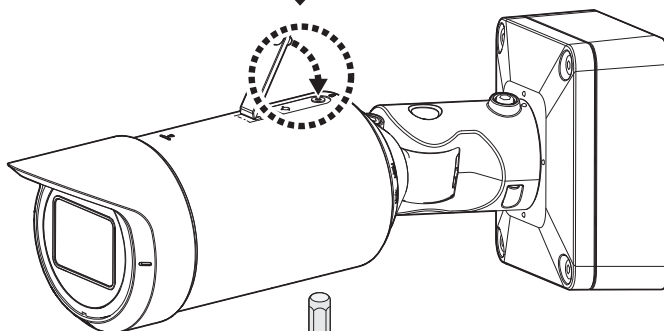
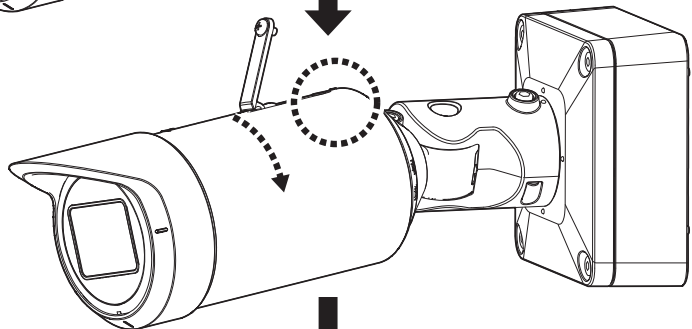
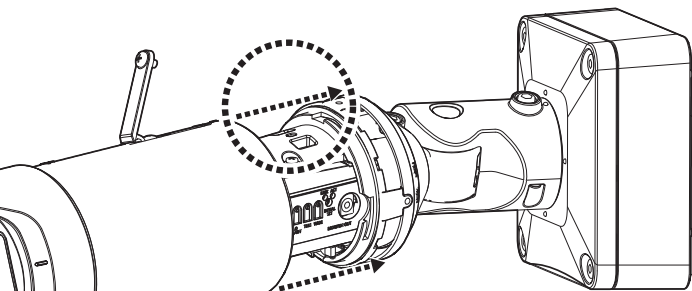
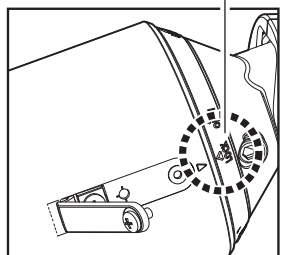
OPEN



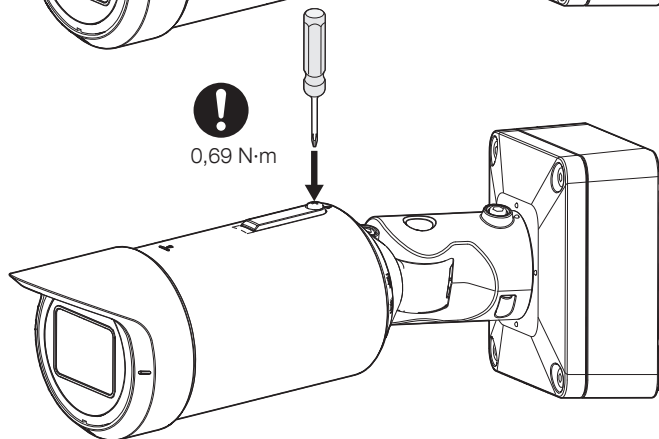
OPEN



LOCK



0,69 N·m



Schritt 11



Website für technische Informationen

“IP Setting Software”

<Kontroll-Nr.: C0123>

oder

“i-PRO Configuration Tool(iCT)”

<Kontroll-Nr.: C0133>

“Extra optical zoom”

<Kontroll-Nr.: C0124>

“How to take a wide depth of field”

<Kontroll-Nr.: C0127>

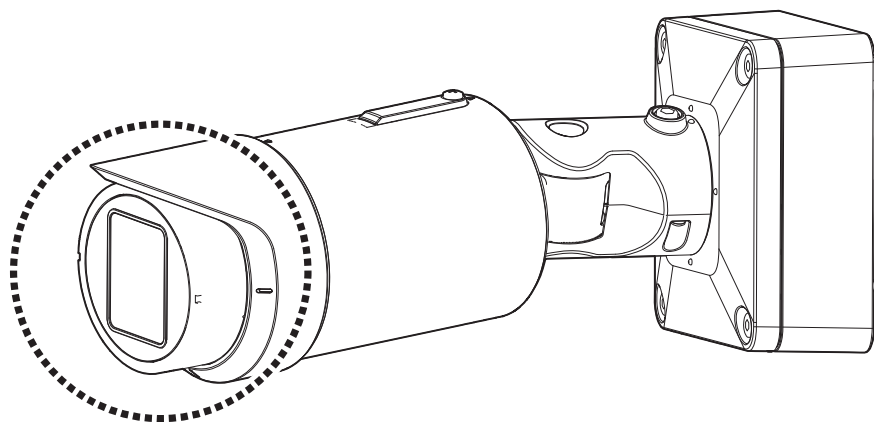
■ Bei Verwendung der “Bildrotation” → Drehen Sie den Sonnenblende.



Website für technische Informationen

“Installation method for rotating the sunshade”

<Kontroll-Nr.: C0131>



Guida all'installazione

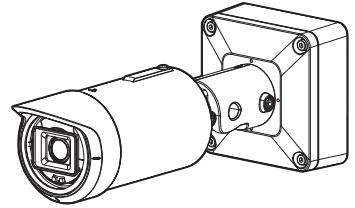
Istruzioni di installazione incluse

Telecamera di rete

Esclusivamente per uso professionale

Uso esterno

N. modello WV-X15700-V2L
WV-X15600-V2L
WV-X15500-V3L
WV-X15300-V3L



WV-X15700-V2L

Riguardo ai manuali dell'utente

La documentazione del prodotto è costituita dai seguenti documenti.

- **Guida all'installazione (questo documento):** Fornisce informazioni su "Precauzioni", "Precauzioni per l'installazione" e metodo di installazione.
- **Guida web (fare riferimento al link sul seguente sito web con le informazioni sul prodotto):** Include video sull'installazione, funzioni di base e metodi operativi di base per questo dispositivo.
- **User manual (Soltanto inglese) (fare riferimento al link sul seguente sito web con le informazioni sul prodotto):** Questa sezione descrive le istruzioni per l'uso del software comuni a ciascun modello.
https://i-pro.com/products_and_solutions/en/surveillance/documentation-database



"<Control No.: C****>" usato in questi documenti dovrebbe essere utilizzato per la ricerca di informazioni sul nostro sito web di informazioni tecniche (https://i-pro.com/products_and_solutions/en/surveillance/learning-and-support/knowledge-base/technical-information) e condurrà alla corretta informazione.



- Prima di provare a collegare o utilizzare questo prodotto, leggere attentamente queste istruzioni e conservare l'opuscolo "Important Safety Instructions" per un uso futuro.
- La scheda di memoria microSDXC/ microSDHC/ microSD è indicata come scheda di memoria microSD.
- L'aspetto esterno ed altre parti illustrate in questo manuale possono differire dal prodotto effettivo, negli ambiti in cui questo non interferisce con l'utilizzo regolare, a causa di miglioramenti del prodotto.

i-PRO Co., Ltd.

Tokyo, Japan

<https://www.i-pro.com/>

Authorised Representative in EU:
i-PRO EMEA B.V.
Laarderhoogtweg 25, 1101 EB
Amsterdam, Netherlands

i-PRO EMEA B.V. UK Branch
1010 Cambourne Business Park,
Cambridgeshire CB23 6DP



Smaltimento di vecchie apparecchiature e batterie usate

Solo per Unione Europea e Nazioni con sistemi di raccolta e smaltimento



Questi simboli sui prodotti, sull'imballaggio e/o sulle documentazioni o manuali accompagnanti i prodotti indicano che i prodotti elettrici, elettronici e le batterie usate non devono essere smaltiti come rifiuti urbani ma deve essere effettuata una raccolta separata.

Per un trattamento adeguato, recupero e riciclaggio di vecchi prodotti e batterie usate vi invitiamo a consegnarli agli appositi punti di raccolta secondo la legislazione vigente nel vostro paese.

Con uno smaltimento corretto, contribuirete a salvare importanti risorse e ad evitare i potenziali effetti negativi sulla salute umana e sull'ambiente.

Per ulteriori informazioni su raccolta e riciclaggio, vi invitiamo a contattare il vostro comune.

Lo smaltimento non corretto di questi rifiuti potrebbe comportare sanzioni in accordo con la legislazione nazionale.



Note per il simbolo batterie (simbolo sotto)

Questo simbolo può essere usato in combinazione con un simbolo chimico. In questo caso è conforme ai requisiti indicati dalla Direttiva per il prodotto chimico in questione.

AVVERTENZA:


- Il funzionamento di questo prodotto in un ambiente residenziale potrebbe causare interferenze radio.

Precauzione:

- L'alimentatore CC collegato alla telecamera deve trovarsi nello stesso edificio.
- La telecamera di rete è progettata per il collegamento ad una rete Ethernet o PoE senza instradamento sull'impianto esterno.
- Questo prodotto non ha un interruttore di alimentazione. Assicurarsi di installare dispositivi di disconnessione quali un interruttore automatico per arrestare l'alimentazione principale dell'apparecchiatura che fornisce alimentazione a questo prodotto.
- Collegare solo alimentazione elettrica da 12 V CC Classe 2 (UL 1310/CSA 223), una fonte di alimentazione limitata (IEC/EN/UL/CSA 60950-1, IEC/EN/UL/CSA 62368-1 Allegato Q) o IEC/EN/UL/CSA 62368-1 PS2.
- Prima di tentare di collegare o utilizzare questo prodotto, si prega di leggere attentamente queste istruzioni.

Avviso:

- Questo prodotto non è adatto all'impiego in posizioni dove è probabile la presenza di bambini.
- Non installare questo prodotto in luoghi in cui chiunque possa avere facile accesso.
- Questo prodotto è un'apparecchiatura professionale.
- Per informazioni sulle viti e sulle altre parti necessarie per l'installazione, fare riferimento alla sezione corrispondente del presente documento.

 : Simbolo di corrente continua

Precauzioni

Spiegano quali disposizioni osservare obbligatoriamente per evitare lesioni alle persone e danni materiali. Le dichiarazioni sulla sicurezza comuni a tutti i modelli di telecamera di rete i-PRO sono pubblicate sul sito web accessibile dal codice a barre bidimensionale sulla destra. Non esitare a consultarle.

https://i-pro.com/products_and_solutions/en/surveillance/learning-and-support/knowledge-base/safety-instructions



■ Non installare questo prodotto in un ambiente soggetto a restrizione o divieto.

In caso contrario, si potrebbero causare lesioni, incidenti o malfunzionamenti dovuti a cadute.

Verificare le precauzioni per la sicurezza comuni a tutti i modelli sul sito web di cui sopra e le precauzioni per l'installazione nella Guida all'installazione.

■ Rivolgersi al rivenditore per i lavori di installazione.

I lavori di installazione richiedono tecnica ed esperienza. La mancata osservanza di questa precauzione può causare incendi, scosse elettriche, ferite o danni al prodotto. Non esitare a rivolgersi al rivenditore.

■ Installare il prodotto con precisione e in modo sicuro su una superficie di installazione in conformità con le istruzioni di installazione.

La mancata osservanza di questa precauzione può causare ferite o incidenti.

■ Adottare misure di protezione per evitare la caduta di questo prodotto.

La mancata osservanza di questa precauzione può causare una caduta e provocare ferite.

Fissare saldamente il prodotto alla superficie di installazione utilizzando viti o ancoraggi. Accertarsi di installare il cavo anticaduta, se incluso.

■ Interrompere immediatamente l'utilizzo se si verifica qualcosa di anomalo con questo prodotto.

Quando fuoriesce fumo dal prodotto, proviene odore di fumo dal prodotto o la parte esterna del prodotto si è deteriorata, l'utilizzo continuo causerà un incendio o una caduta del prodotto provocando ferite o danni alla proprietà.

In questo caso, spegnerlo immediatamente e rivolgersi a personale di assistenza qualificato per la riparazione.

■ Eseguire ispezioni periodiche.

La ruggine sulle parti metalliche o sulle viti può causare la caduta del prodotto e provocare ferite o incidenti. Rivolgersi al rivenditore per le ispezioni.

Spegnerne l'unità prima di qualunque ispezione o intervento di manutenzione.

Precauzioni per l'installazione

i-PRO Co., Ltd. non potrà essere considerata responsabile per danni patrimoniali e/o non patrimoniali a cose e/o persone derivanti da installazione o funzionamento eseguiti in modo non conforme al presente documento.

■ **Al fine di prevenire ferite, questo prodotto deve essere montato saldamente su una superficie di installazione in conformità con la Guida all'installazione.**

■ Area di installazione di questo prodotto

Selezionare una posizione adeguata come area di installazione (come una superficie di installazione robusta) nel proprio ambiente specifico.

- Accertarsi che l'area di installazione sia sufficientemente robusta per sostenere questo prodotto, come un soffitto di cemento.
- Installare la telecamera in una parte della fondazione della costruzione o dove è assicurata una sufficiente robustezza.
- Non montare il prodotto su un pannello di cartongesso o su una superficie di legno in quanto sono troppo deboli. Se non è possibile evitare il montaggio del prodotto su una superficie di questo tipo, la superficie deve essere sufficientemente rinforzata.

■ Non collocare questo prodotto nelle seguenti posizioni

- Posizioni dove viene utilizzato un agente chimico quali una piscina
- Posizioni soggette ad umidità o fumi oleosi quali una cucina
- Posizioni in ambienti specifici soggetti ad un'atmosfera infiammabile o a solventi
- Posizioni dove vengono generate radiazioni, raggi X, forti onde radio o un forte campo magnetico
- Posizioni in prossimità delle coste sottoposte direttamente alla brezza di mare o posizioni soggette a gas corrosivi come da sorgenti termali, regioni vulcaniche, etc.
- Posizioni dove la temperatura non è compresa nel range specificato
- Posizioni soggette a vibrazioni, come su veicoli, natanti, linee di produzione (Questo prodotto non è progettato per l'utilizzo su veicoli.)
- Posizioni soggette a condensazione risultante da cambiamenti drastici di temperatura come in prossimità di unità esterne di condizionatori d'aria.
- Posizioni vicine a prodotti in gomma contenenti zolfo (guarnizioni, piedini in gomma, etc.)

■ Avvitamento delle viti

Non utilizzare un avvitatore ad impatto. L'utilizzo di un avvitatore ad impatto può danneggiare le viti o causare un avvitamento eccessivo.

■ Riguardo alla riflessione della luce dall'esterno o di luce IR

Immagini fantasma possono apparire sullo schermo a seconda dell'angolo di incidenza della luce esterna.

In caso di luce IR, l'installazione di una telecamera in prossimità di una parete potrebbe causare la riflessione dei raggi infrarossi che avrà come risultato il far diventare biancastro tutto o una parte dello schermo.

- Far riferimento al nostro sito web di informazioni tecniche <Control No.: C0109> per esempi di immagini e misure da adottare.

■ Prestare attenzione all'umidità

Installare questo prodotto quando l'umidità è bassa. Se l'installazione viene eseguita quando piove o in condizioni di elevata umidità, l'interno potrebbe risentire dell'umidità, causando l'annebbiamento dell'interno del pannello anteriore.

■ Protezione contro i fulmini

Quando si utilizzano i cavi all'esterno, esiste la possibilità che possano essere colpiti da fulmini. In tal caso, installare un parafulmine vicino alla telecamera e fare in modo che la lunghezza del cavo di rete tra la telecamera e il parafulmine sia più ridotta possibile per prevenire che la telecamera venga colpita dai fulmini. Far riferimento al nostro sito web di informazioni tecniche <Control No.: C0121>

■ Quando si può verificare interferenza/disturbo

Può apparire rumore nel video o nell'audio nei pressi di un forte campo elettrico proveniente da un'antenna TV o radio, motori e trasformatori, o un forte campo elettrico/campo magnetico da una linea di alimentazione (linea di illuminazione) di 100 V CA o superiore. Eseguire i lavori di distribuzione dell'alimentazione in modo da mantenerla a una distanza di 1 m o eseguire i lavori per il condotto elettrico utilizzando tubi metallici. (Assicurarsi di effettuare il collegamento a terra dei tubi metallici.)

■ Etichetta di indicazione della classificazione e dell'alimentazione dell'apparecchiatura

Far riferimento all'etichetta di indicazione sul retro della base del supporto di questa unità per la classificazione, l'alimentazione dell'apparecchiatura ed altre informazioni.

■ VCCIについて

この装置は、クラスA機器です。この装置を住宅環境で使用すると電波妨害を引き起こすことがあります。この場合には使用者が適切な対策を講ずるよう要求されることがあります。 VCCI-A

■ Riguardo all'elettricità statica

Prima di installare o rimuovere questo prodotto, accertarsi di toccare oggetti metallici per scaricare l'elettricità statica dal proprio corpo.

Dati tecnici

Alimentazione* ^{1, 2} :	12 V CC PoE+ (conforme a IEEE802.3at)
Consumo di potenza* ^{1, 2} :	12 V CC: 1,2 A / circa 14,2 W PoE+ 54 V CC: 260 mA / circa 14,0 W (Dispositivo classe 4)
Ambiente di funzionamento Temperatura ambiente di funzionamento:	Da -40 °C a +55 °C* ³ (Range di accensione: Da -30 °C a +55 °C)
Umidità ambiente di funzionamento:	Dal 10 % al 100 % (senza condensazione)
Ambiente di stoccaggio Temperatura di stoccaggio: Umidità di stoccaggio:	Da -30 °C a +60 °C Dal 10 % al 95 % (senza condensazione)
Impermeabile e antipolvere* ⁴ :	IP67/IP66 (IEC 60529), Tipo 4X (UL50E), conforme a NEMA 4X
Resistenza agli urti:	IK10 (IEC 62262)
Resistenza al vento:	Fino a 40 m/s
Dimensioni:	133 mm (L) × 133 mm (A) × 383 mm (P)
Peso:	Circa 2,5 kg
Finitura:	Corpo principale: Alluminio pressofuso/resina, i-PRO bianco Viti di fissaggio esterne: Acciaio inossidabile (trattamento anticorrosione) Pannello anteriore: Resina PC, trasparente trasparente (con rivestimento ClearSight)

*1 Far riferimento al nostro sito web di informazioni tecniche <Control No.: C0106> per ulteriori informazioni su alimentazione e consumo di potenza.

*2 Quando si utilizza alimentatore 12 V CC di questo prodotto, terminale EXT I/O, ingresso audio e uscita audio, è necessario un cavo I/O (WV-QCA501A: optional).

*3 Durante l'utilizzo con luce IR LED costantemente accesa, il limite superiore del range della temperatura di funzionamento è di +50 °C.

*4 Soltanto quando i lavori di installazione vengono eseguiti correttamente secondo la Guida all'installazione ed è applicato un adeguato trattamento di impermeabilizzazione.

Accessori opzionali



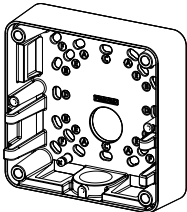
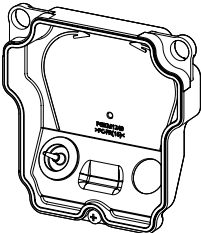
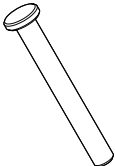
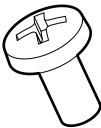
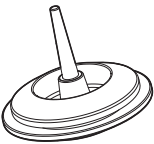
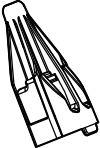

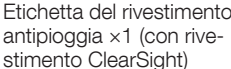
Informazioni più recenti → Sito web di informazioni tecniche "Accessory Selector"
<Control No.: C0501>

Correzione dei difetti di funzionamento

Prima di richiedere assistenza, fare riferimento a "Correzione dei difetti di funzionamento" nella "Guida web". Quindi, confermare il problema.

Accessori standard

Important Safety Instructions 1 pz.

			
Scatola di raccordo x1		Coperchio passacavi x1	
			
Perno di montaggio della scatola di raccordo x1	Vite di montaggio M4x8 mm x2 (di cui 1 di scorta)	Passacavo x2 (di cui 1 di scorta)	Cappuccio RJ45 x1
			
Etichetta del rivestimento anti-pioggia x1 (con rivestimento ClearSight)			

Altri articoli necessari (non inclusi)

● Viti di montaggio

Metodo di installazione	Vite consigliata ¹	Resistenza alla trazione minima ^{*2}
Montaggio della telecamera direttamente sulla superficie di installazione.	M4 x 16 mm x 4 pz. ^{*3, *4}	724 N
Montaggio della telecamera su una scatola di derivazione/ giunzione a due vie.		
Montare la telecamera utilizzando la staffa di montaggio progettata appositamente.	Far riferimento al manuale di istruzioni di ciascuna staffa.	

*1 Selezionare viti adatte al materiale della posizione in cui si monterà la telecamera. In questa circostanza non si devono utilizzare viti e chiodi da legno.

*2 Questo valore indica il valore minimo di resistenza alla trazione richiesto per ciascuna vite. Per informazioni sulla resistenza alla trazione minima, far riferimento al nostro sito web di informazioni tecniche <Control No.: C0120>.

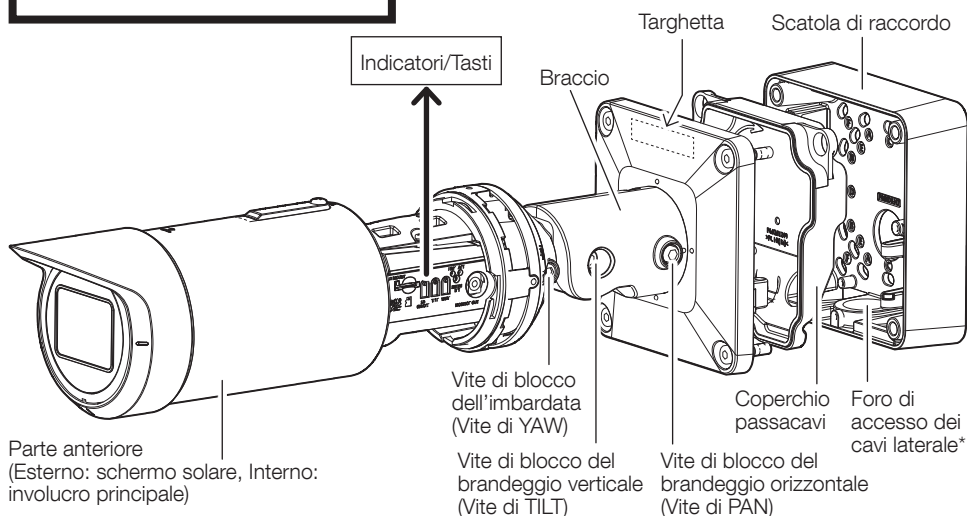
*3 La lunghezza della vite è un esempio di quando si installa la telecamera su una superficie di installazione robusta con uno spessore di 20 mm o superiore.

*4 Prendere in considerazione l'utilizzo di viti di montaggio anticorrosione o sigillatura.

- Cavo Ethernet con connettore RJ45 (categoria 5e o superiore, dritto, tutti e 4 i doppiini (8 pin), meno di 100 m)
- In base alla necessità, cavo di ingresso audio, cavo di uscita audio, cavo di ingresso/uscita dell'allarme, cavo di alimentazione
- Chiave esagonale da 5 mm

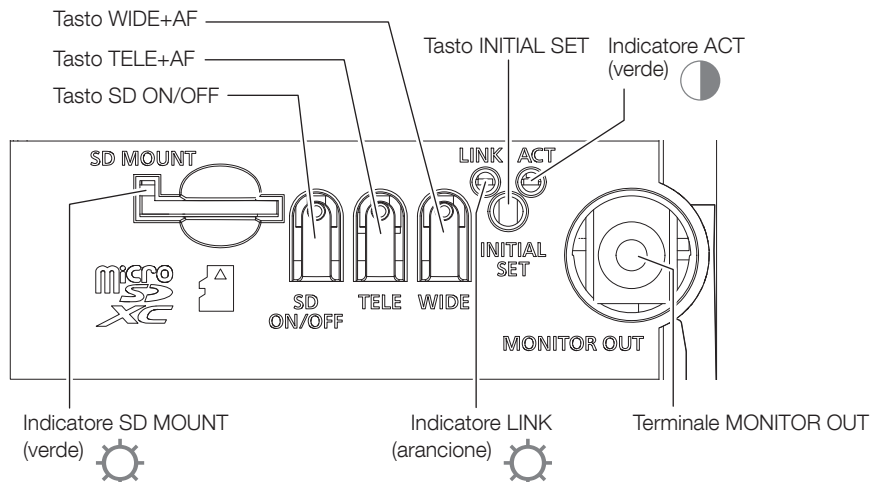
Procedura di installazione

Parti e funzioni



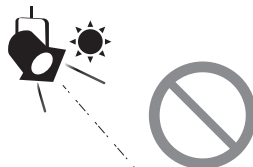
* Parte di collegamento della tubazione
(Conforme a CTG22 di JIS C 8305 (filettatura della tubazione), o a G3/4 di JIS B 0202 (filettatura per tubi cilindrici))

Indicatori/Tasti

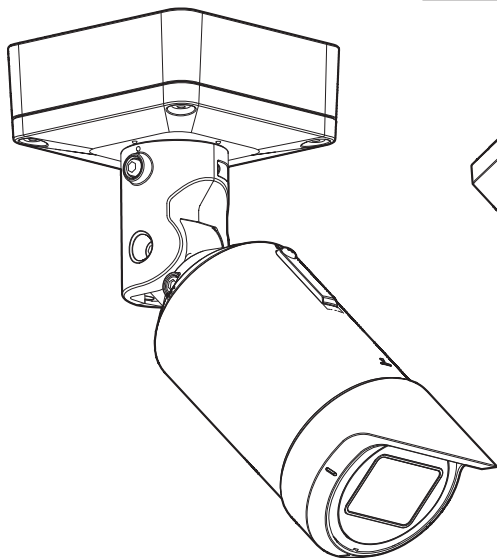


- User manual [Indicator] Spegnimento forzato di tutti i LED
- User manual "Format"
- Si consiglia di utilizzare una scheda di memoria microSD per dispositivi i-PRO.

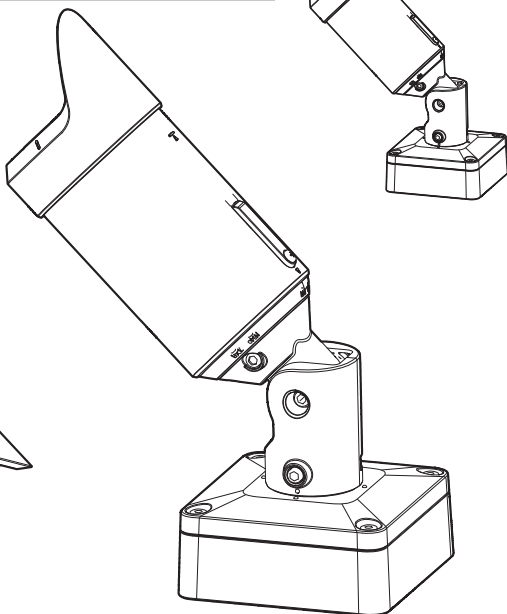
Metodo di installazione



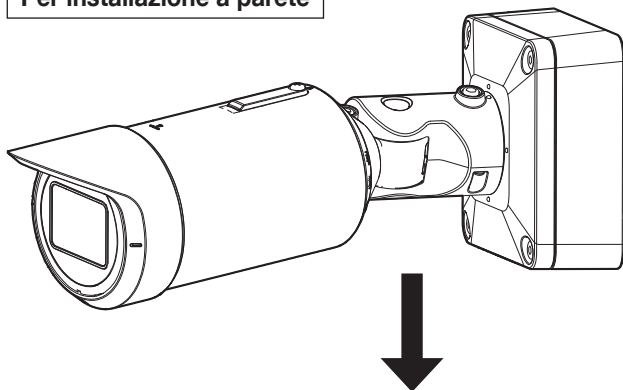
Per installazione a soffitto



Per l'utilizzo su un piano d'appoggio



Per installazione a parete



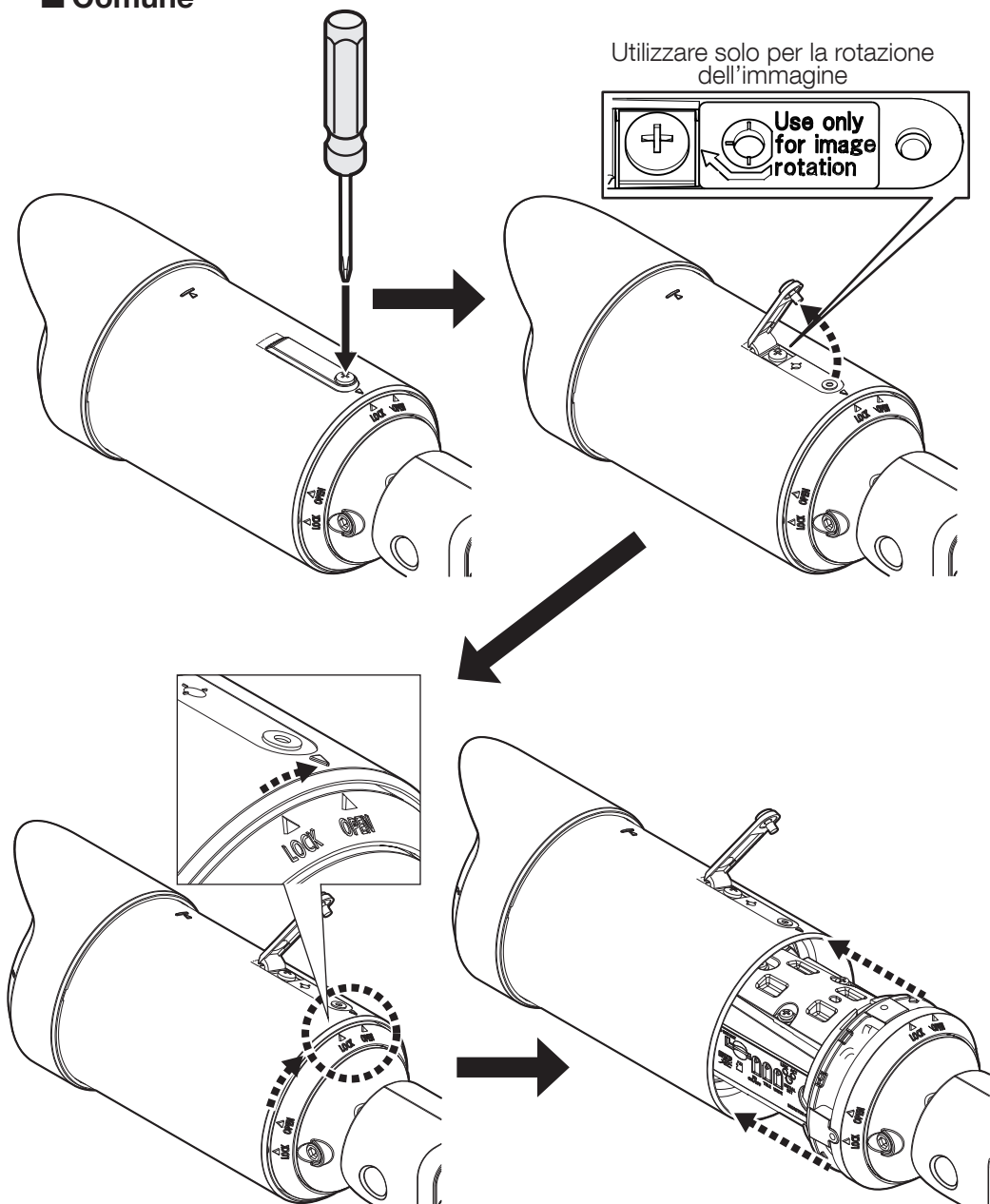
Esempio di spiegazione per l'installazione

Passaggio 1

Preparativi

■ Comune

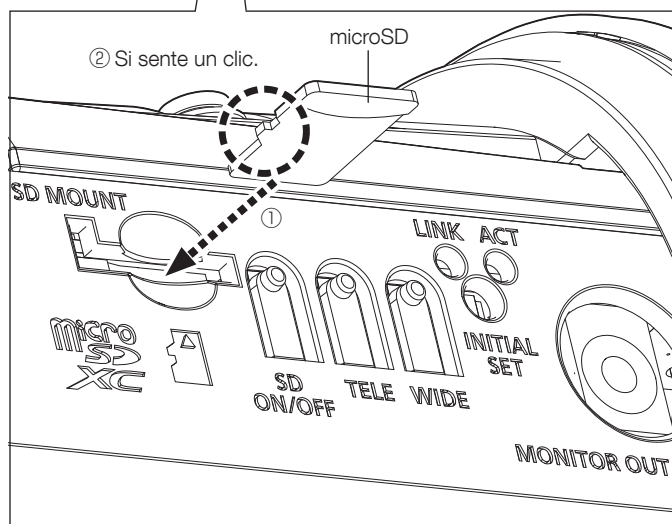
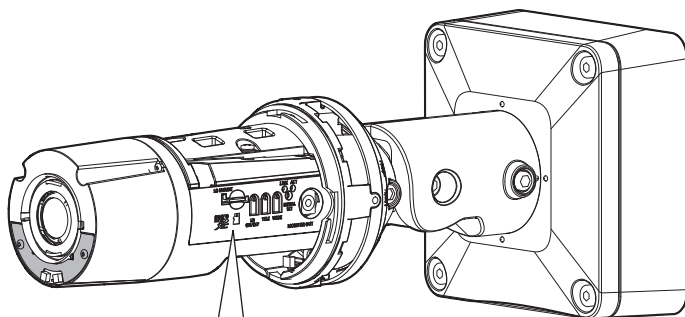
Utilizzare solo per la rotazione dell'immagine



Passaggio 1

Preparativi (continuazione)

■ Quando si utilizza una scheda di microSD

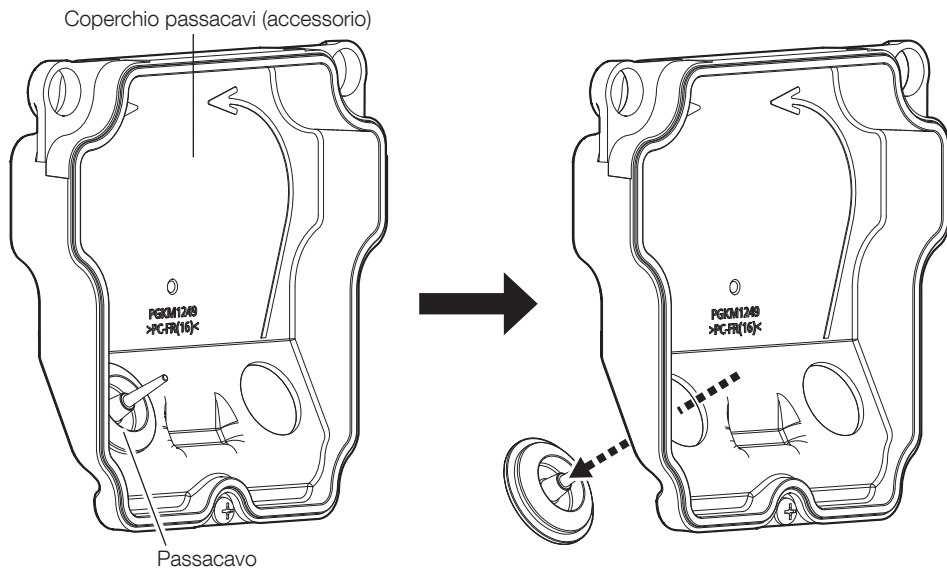


- User manual "Format"
- Si consiglia di utilizzare una scheda di memoria microSD per dispositivi i-PRO.

Passaggio 1

Preparativi (continuazione)

■ Quando si utilizza un cavo I/O (WV-QCA501A: optional)



Passaggio 2

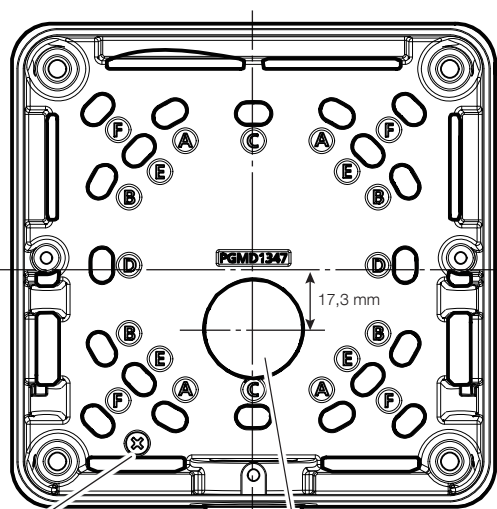
	Direzione verticale	Direzione orizzontale
A	83,5 mm (82,5 mm)	46 mm (47,6 mm)
B	46 mm (47,6 mm)	83,5 mm (82,5 mm)
C	83,5 mm (83,3 mm)	–
D	–	83,5 mm (83,3 mm)
E	63 mm	63 mm
F	85,7 mm	85,7 mm



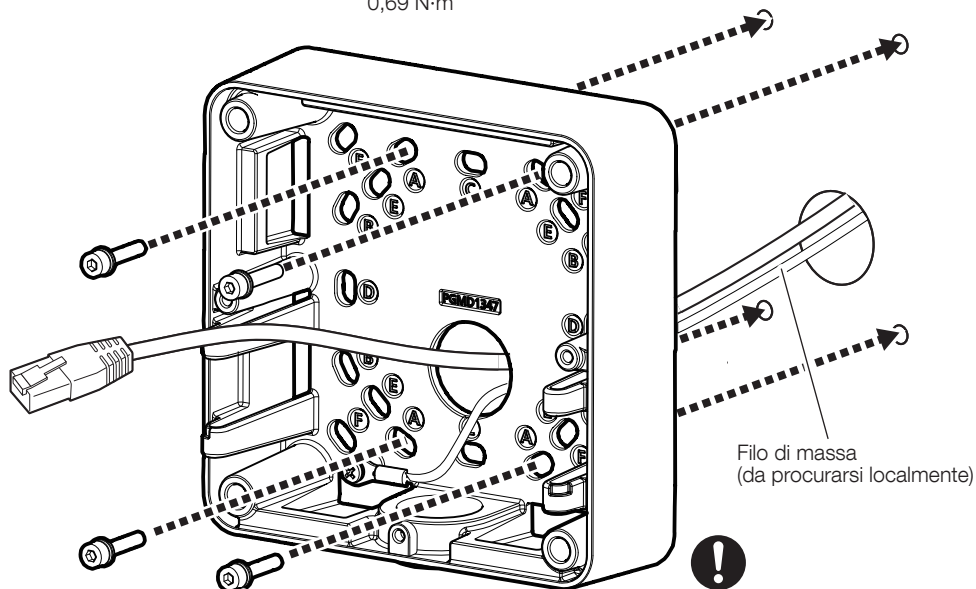
Sito web di informazioni tecniche
 "Countermeasure for Lightning Surge"
 <Control No.: C0121>



M3x8 mm
 Vite con rondella elastica
 Coppia di torsione
 dell'avvitamento consigliata:
 0,69 N·m



Foro di accesso per cavi della tubazione



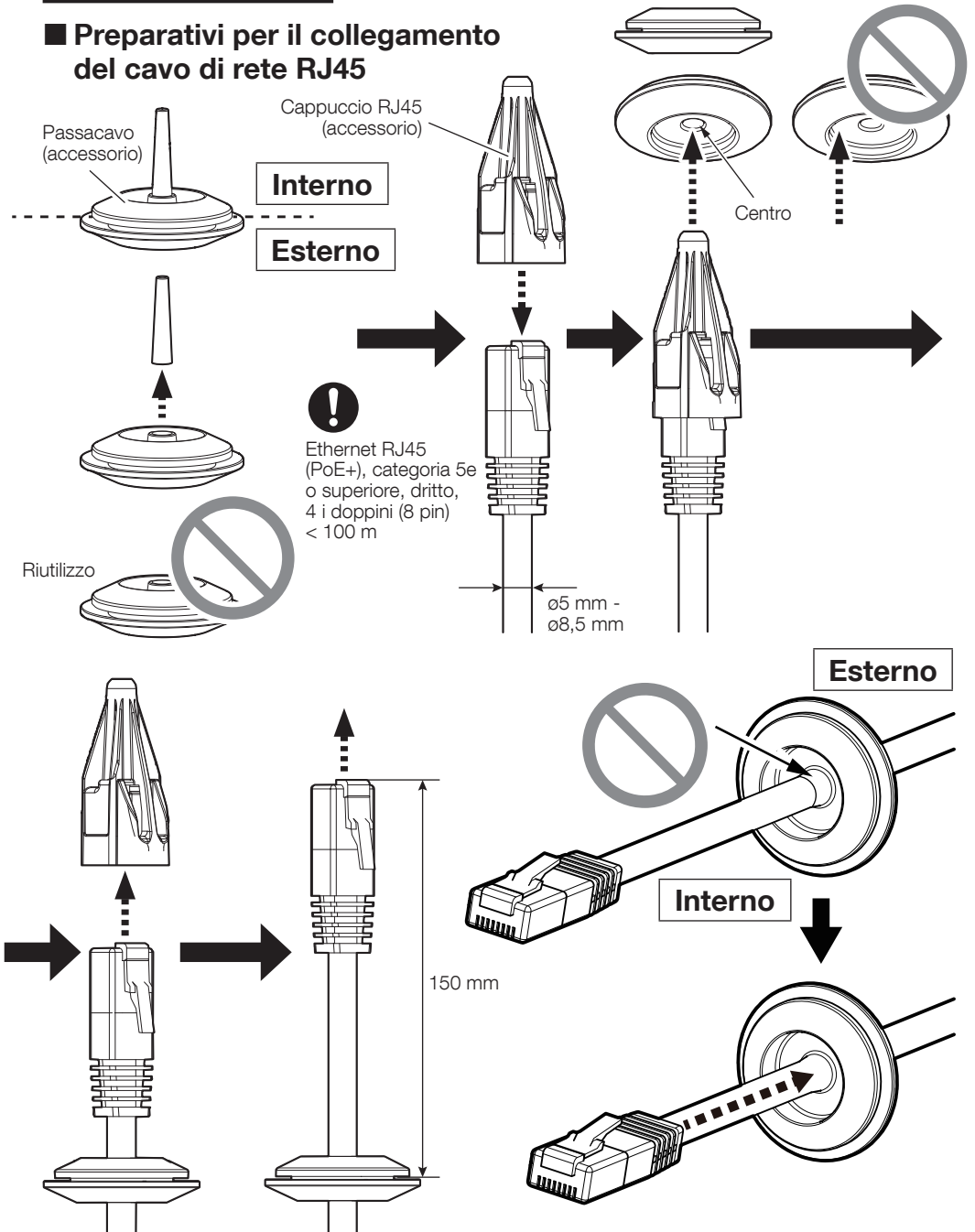
M4 (4 pz./2 pz.)
 (da procurarsi localmente)

Filo di massa
 (da procurarsi localmente)

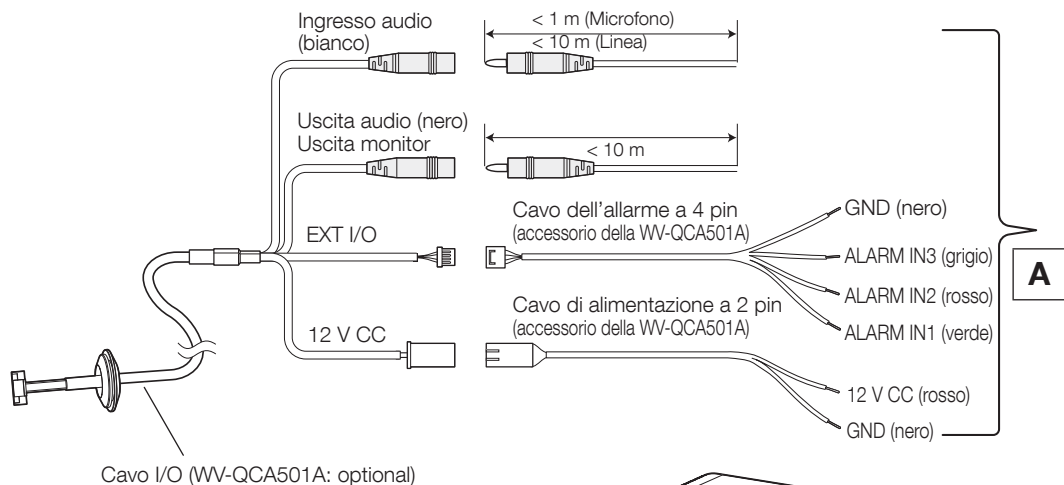
Resistenza alla trazione minima:
 724 N (per 1 pz.)

Passaggio 3

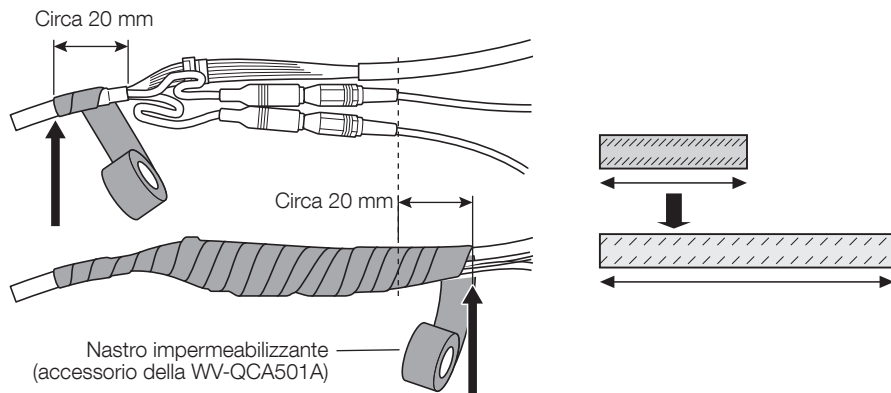
■ Preparativi per il collegamento del cavo di rete RJ45



■ Quando si utilizza un cavo I/O (WV-QCA501A: optional)



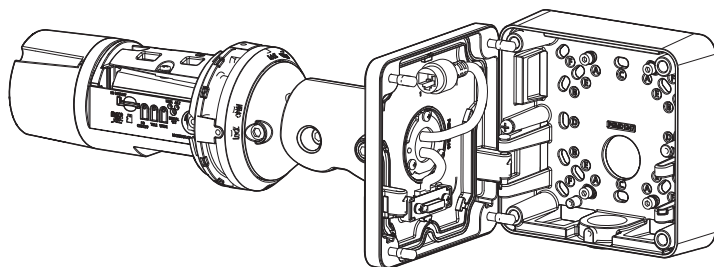
- Tirare il nastro impermeabilizzante fino a raggiungere circa il doppio della lunghezza da utilizzare.
- Per accorciare la porzione di avvolgimento del nastro, avvolgerlo mantenendo il cavo audio allentato.



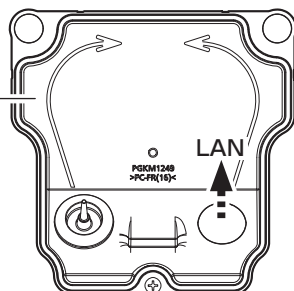
Passaggio 4

Le illustrazioni seguenti sono esempi per eseguire il collegamento del solo cavo di rete RJ45.

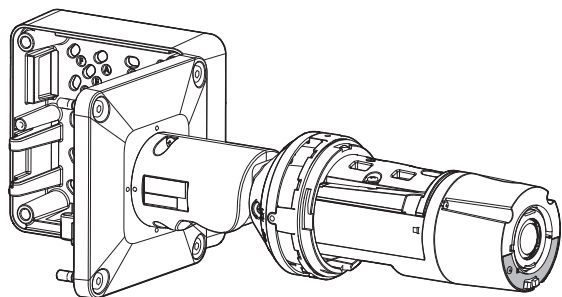
Apertura a sinistra



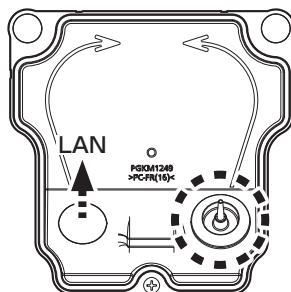
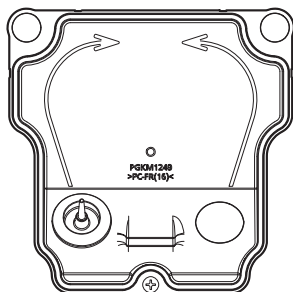
Coperchio passacavi
(Al momento della spedizione dalla fabbrica,
un passacavo viene applicato al foro sinistro.)



Apertura a destra

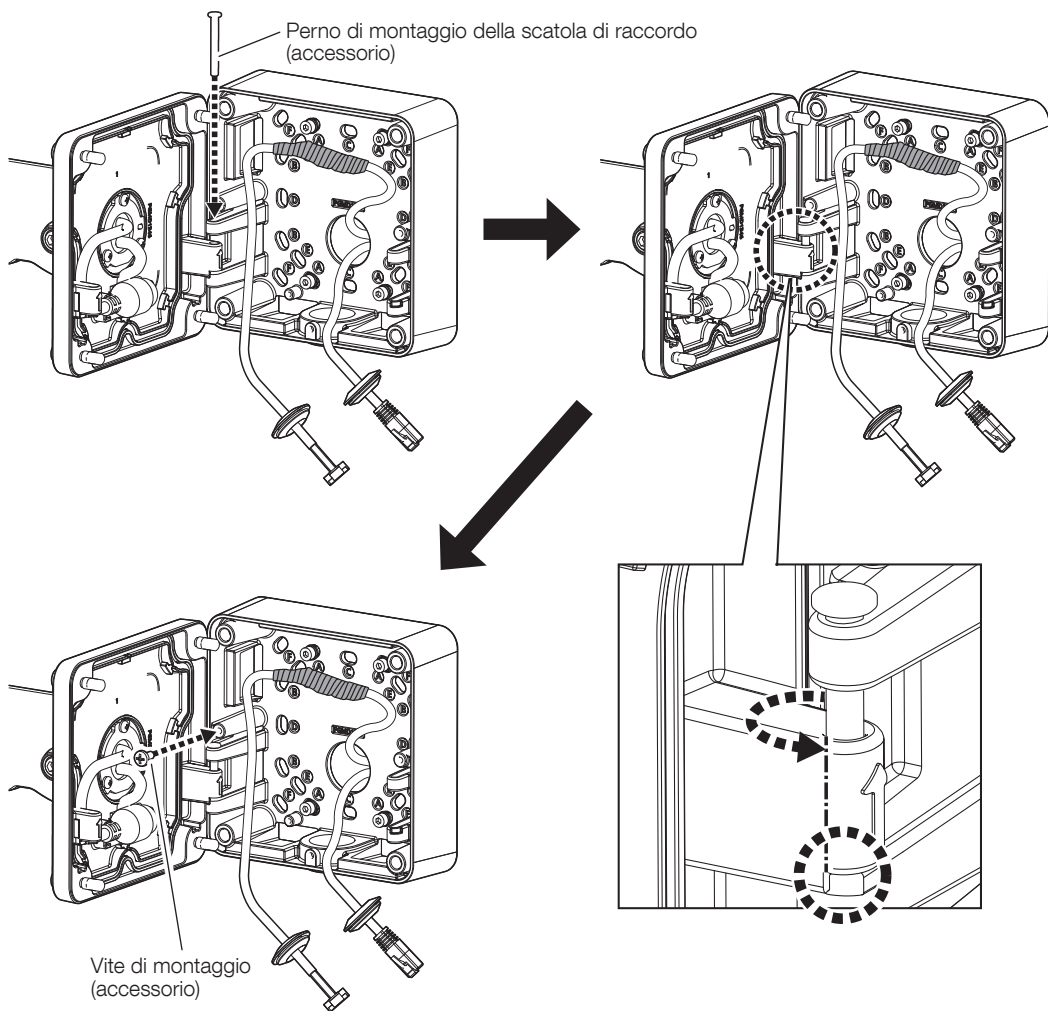


- Quando si installa con un'apertura a destra, spostare un passacavo del foro sinistro al foro destro.



Passaggio 5

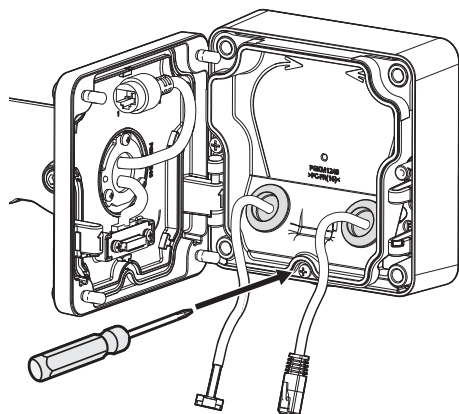
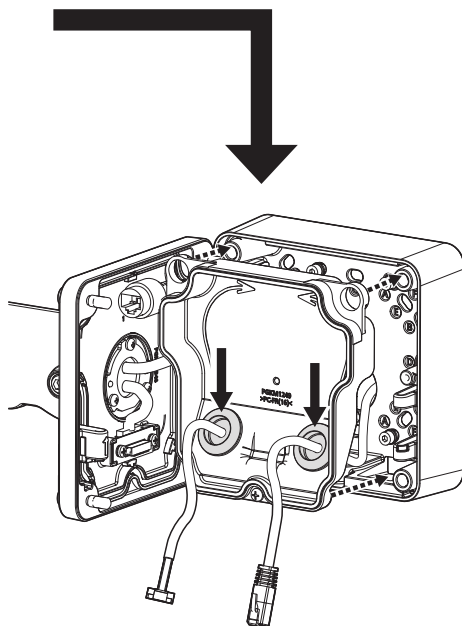
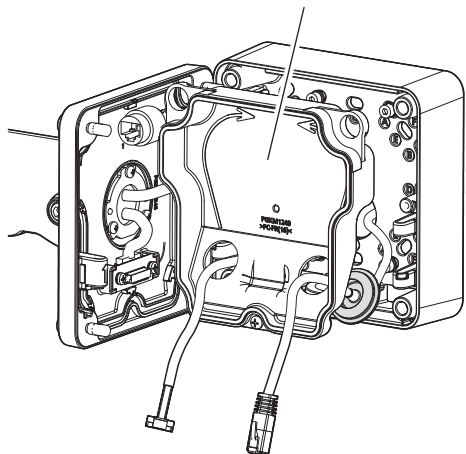
Le seguenti illustrazioni mostrano esempi di installazione per l'apertura a sinistra.



Coppia di torsione dell'avvitamento consigliata:
0,69 N·m

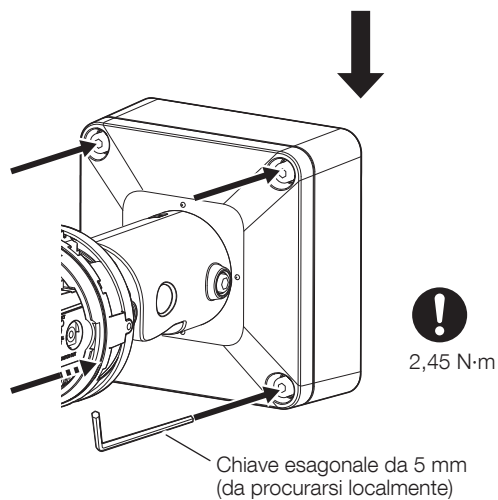
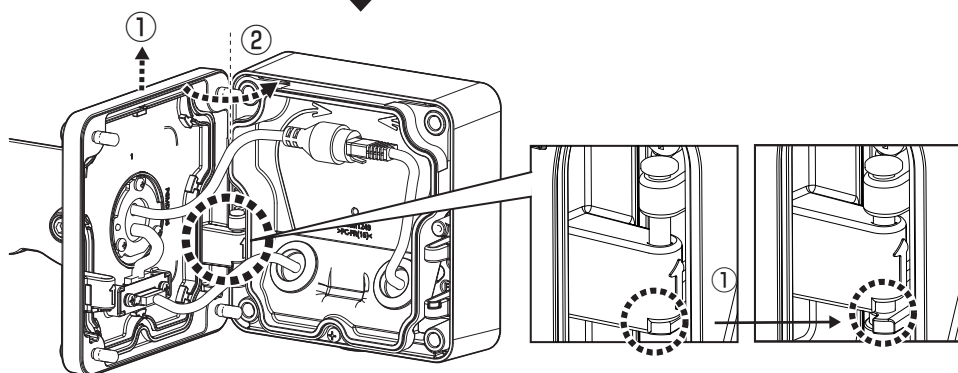
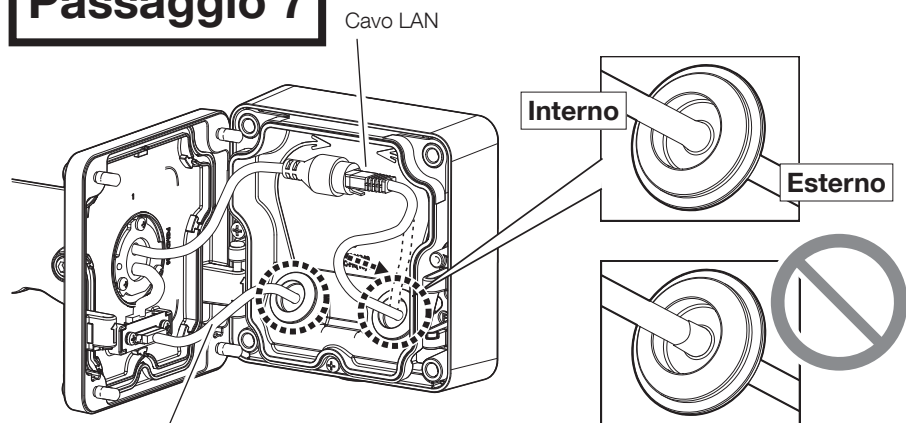
Passaggio 6

Coperchio passacavi (accessorio)



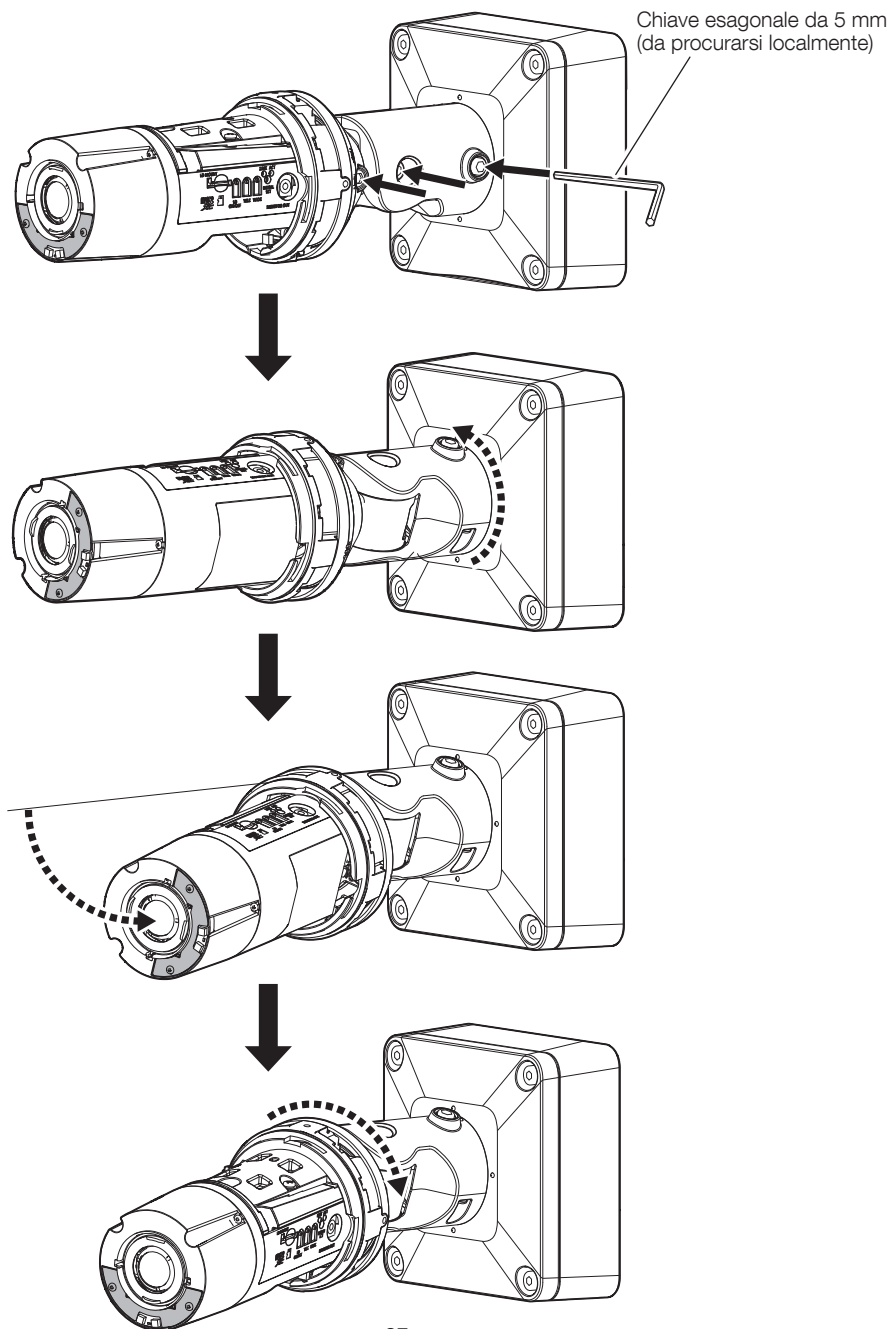
0,69 N·m

Passaggio 7



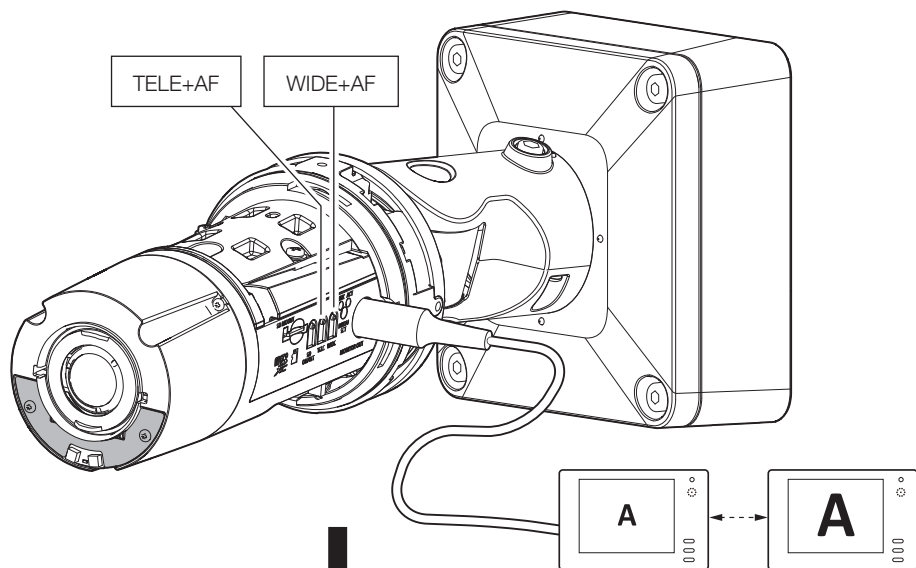
Passaggio 8

* Regolare grossolanamente la direzione della telecamera prima della regolazione. Quanto segue è un esempio con la direzione della telecamera rivolta verso destra.



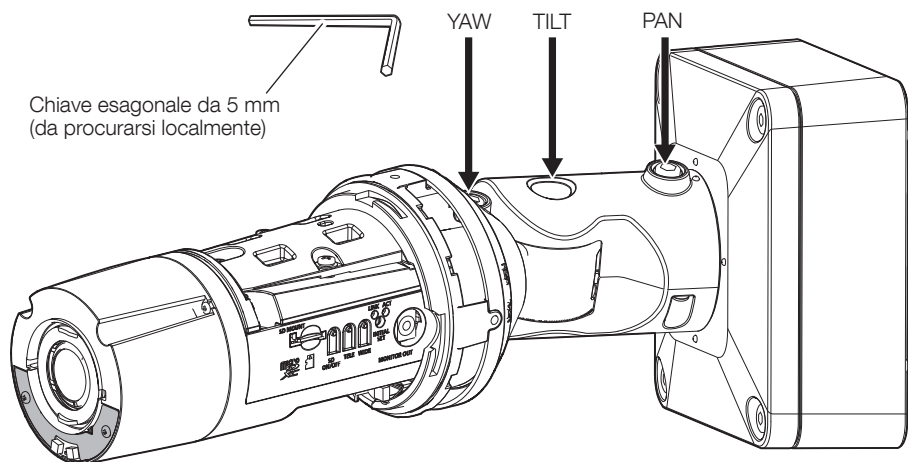
Passaggio 9

→ Accensione (12 V CC/PoE+)



Regolare nuovamente Passaggio 8

Chiave esagonale da 5 mm
(da procurarsi localmente)

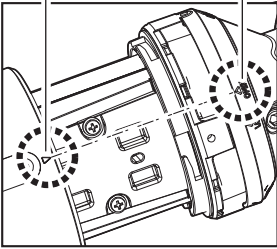


Vite di blocco del brandeggio orizzontale (Vite di PAN): 2,7 N·m
Vite di blocco del brandeggio verticale (Vite di TILT): 4,3 N·m
Vite di blocco dell'imbardata (Vite di YAW): 2,7 N·m

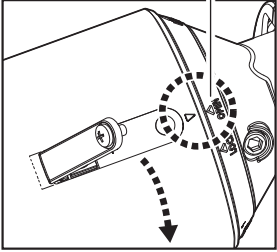
Passaggio 10

Segno "△"

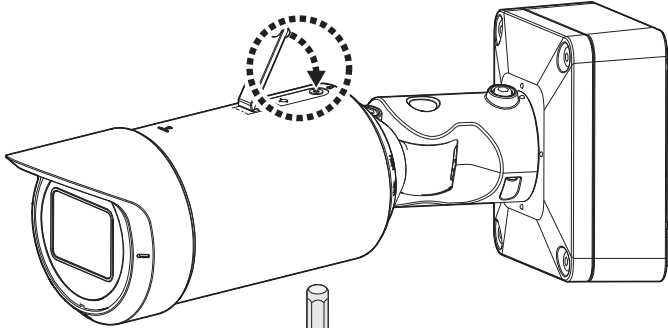
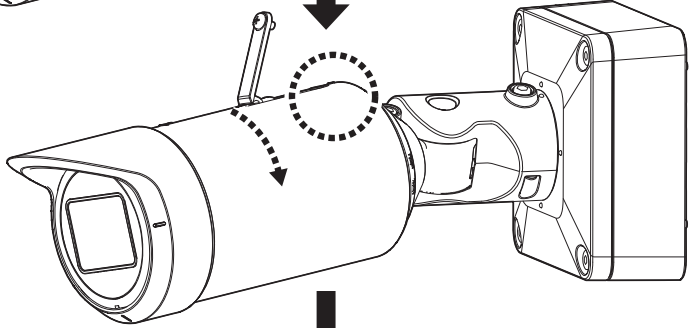
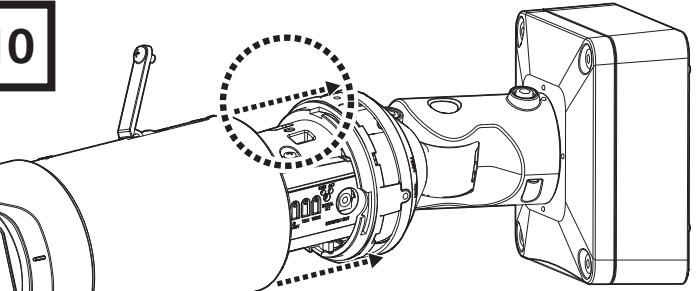
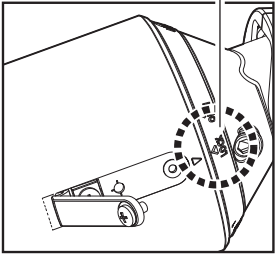
OPEN



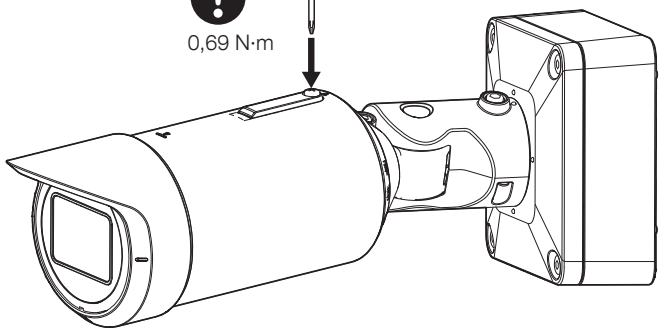
OPEN



LOCK



0,69 N·m



Passaggio 11



Sito web di informazioni tecniche
"IP Setting Software"

<Control No.: C0123>

o

"i-PRO Configuration Tool(iCT)"

<Control No.: C0133>

"Extra optical zoom"

<Control No.: C0124>

"How to take a wide depth of field"

<Control No.: C0127>

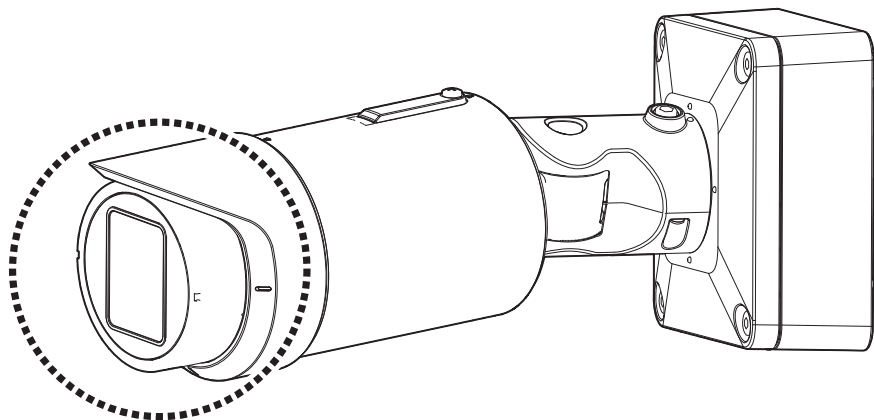
■ Quando si utilizza la "Rotazione dell'immagine" → Ruotare lo schermo solare.



Sito web di informazioni tecniche

"Installation method for rotating the sunshade"

<Control No.: C0131>

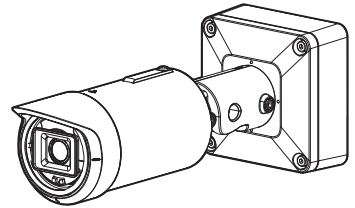


Guía de instalación

Manual de instrucciones para la instalación incluido

Cámara de red Solo para uso profesional Uso en exterior

Nº modelo WV-X15700-V2L
WV-X15600-V2L
WV-X15500-V3L
WV-X15300-V3L



WV-X15700-V2L

Acerca de los manuales del usuario

La documentación del producto se compone de los siguientes documentos.

- **Guía de instalación (este documento):** Proporciona información sobre "Precauciones", "Precauciones para la instalación" y el método de instalación.
- **Guía web (consulte el enlace en el siguiente sitio web de información del producto):** Incluye vídeos de instalación, funciones y métodos de funcionamiento básicos para este dispositivo.
- **User manual (Inglés solamente) (consulte el enlace en el siguiente sitio web de información del producto):** Esta sección describe las instrucciones de funcionamiento del software comunes a cada modelo.
https://i-pro.com/products_and_solutions/en/surveillance/documentation-database



El "<N.º de control: C****>" usado en estos documentos debe utilizarse para buscar información en nuestro sitio web de información técnica (https://i-pro.com/products_and_solutions/en/surveillance/learning-and-support/knowledge-base/technical-information) y le guiará a la información correcta.

- Antes de conectar o poner en funcionamiento este aparato, lea atentamente estas instrucciones y conserve el folleto "Important Safety Instructions" para futuras consultas.
- La tarjeta de memoria microSDXC/ microSDHC/ microSD se menciona como tarjeta de memoria microSD.
- Debido a las mejoras del producto, el aspecto exterior y otras partes que se muestran en este manual pueden ser diferentes del producto real siempre y cuando no interfieran con el empleo normal.



i-PRO Co., Ltd.

Tokyo, Japan

<https://www.i-pro.com/>

Authorised Representative in EU:
i-PRO EMEA B.V.
Laarderhoogtweg 25, 1101 EB
Amsterdam, Netherlands

i-PRO EMEA B.V. UK Branch
1010 Cambourne Business Park,
Cambridgeshire CB23 6DP



Eliminación de Aparatos Viejos y de Pilas y Baterías **Solamente para la Unión Europea y países con sistemas de reciclado**



Estos símbolos en los productos, su embalaje o en los documentos que los acompañen significan que los productos eléctricos y electrónicos y pilas y baterías usadas no deben mezclarse con los residuos domésticos.

Para el adecuado tratamiento, recuperación y reciclaje de los productos viejos y pilas y baterías usadas llévelos a los puntos de recogida de acuerdo con su legislación nacional. En España, los usuarios están obligados a entregar las pilas en los correspondientes puntos de recogida. En cualquier caso, la entrega por los usuarios será sin coste alguno para éstos. El coste de la gestión medioambiental de los residuos de pilas y baterías está incluido en el precio de venta. Si los elimina correctamente ayudará a preservar valuosos recursos y evitará potenciales efectos negativos sobre la salud de las personas y sobre el medio ambiente.

Para más información sobre la recogida u reciclaje, por favor contacte con su ayuntamiento. Puede haber sanciones por una incorrecta eliminación de este residuo, de acuerdo con la legislación nacional.



Nota para el símbolo de pilas y baterías (símbolo debajo)

Este símbolo puede usarse en combinación con el símbolo químico. En este caso, cumple con los requisitos de la Directiva del producto químico indicado.

ADVERTENCIA:

- El funcionamiento de este producto en un entorno residencial podría provocar interferencias de radio.

Precaución:

- La fuente de alimentación de CC conectada a la cámara debe estar en el mismo edificio.
- La cámara de red está solamente preparada para una conexión a una Ethernet o red PoE sin enrutamiento a la planta exterior.
- Este producto no tiene interruptor de alimentación. Asegúrese de instalar dispositivos de desconexión como, por ejemplo, un disyuntor para apagar la alimentación principal del equipo de suministro de energía a este producto.
- Conectar solamente a una fuente de alimentación de 12 V CC de Clase 2 (UL 1310/CSA 223), una fuente de alimentación limitada (IEC/EN/UL/CSA 60950-1, IEC/EN/UL/CSA 62368-1 Anexo Q) o IEC/EN/UL/CSA 62368-1 PS2.
- Antes de conectar o de poner en funcionamiento este aparato, lea atentamente estas instrucciones.

Aviso:

- Este producto no es adecuado para su uso en lugares donde es probable que haya niños presentes.
- No instale este producto en lugares donde las personas comunes puedan acceder fácilmente.
- Este producto es un equipo profesional.
- Para obtener información sobre los tornillos y otras piezas necesarias para la instalación, consulte la sección correspondiente de este documento.

■■■■■ : Símbolo de la corriente continua

Precauciones

Para evitar daños a las personas y a la propiedad, se explica lo que es imprescindible tener en cuenta. Las declaraciones de seguridad comunes a todos los modelos de cámaras de red i-PRO se publican en el sitio web vinculado desde el código de barras bidimensional de la derecha.

Asegúrese de confirmarlo todo.

https://i-pro.com/products_and_solutions/en/surveillance/learning-and-support/knowledge-base/safety-instructions



■ No instale este producto en áreas restringidas o prohibidas.

Hacerlo puede provocar lesiones, accidentes o un mal funcionamiento debido a una caída. Compruebe las precauciones de seguridad comunes a todos los modelos en el sitio de web anterior y las precauciones de instalación en la guía de instalación.

■ Solicite el trabajo de instalación al distribuidor.

Es necesario poseer técnica y experiencia para realizar el trabajo de instalación. Si no lo hace así, pueden ocasionarse incendios, descargas eléctricas, heridas, o daños en el producto. Consúltelo sin falta al distribuidor.

■ Instale el producto con precisión y seguridad sobre una superficie de instalación de acuerdo con las instrucciones de instalación.

Si no sigue esta indicación, correrá peligro de heridas o accidentes.

■ Tome medidas de protección contra la caída del producto.

Si no lo hace así, puede producirse una caída que presentará peligro de heridas.

Fije bien el producto a la superficie de instalación con tornillos o anclajes. Si viene incluido un cable anticaída, asegúrese de instalarlo.

■ Detenga inmediatamente la operación cuando note que hay algo de este producto que no funciona bien.

Cuando salga humo del producto, se perciba algún olor a humo procedente del producto o se haya deteriorado el exterior del producto, si sigue utilizándolo correrá peligro de incendio, caídas del producto que pueden ocasionar lesiones o daños a la propiedad.

En este caso, desconecte inmediatamente la alimentación y solicite el servicio a personal de servicio cualificado.

■ Realice inspecciones periódicas.

La corrosión de las partes metálicas o de los tornillos puede ocasionar la caída del producto y el riesgo de sufrir heridas o accidentes.

Consulte a su distribuidor para las inspecciones.

Asegúrese de apagar la alimentación antes de realizar la inspección o el mantenimiento.

Precauciones para la instalación

i-PRO Co., Ltd. no se hace responsable de lesiones o daños a la propiedad que resulten de fallos derivados de una incorrecta instalación o funcionamiento que no se ajuste con esta documentación.

■ **Con el fin de evitar lesiones, el producto debe ser instalado de forma segura en una superficie de instalación de acuerdo con la Guía de instalación.**

■ **Área de instalación para este producto**

Seleccione un lugar que sea apropiado como área de instalación (como pueda ser un superficie de instalación resistente) en su entorno particular.

- Asegúrese de que el lugar de instalación sea suficientemente fuerte como para sostener el producto, como pueda ser un techo de hormigón.
- Instale la cámara en la parte de los cimientos de la estructura o en un lugar que ofrezca resistencia suficiente.
- No monte el producto en una plancha de yeso ni en una sección de madera porque son demasiado débiles. Si el producto debe montarse inevitablemente en tales secciones, deberá reforzar suficientemente la sección.

■ **No ponga este producto en los lugares siguientes:**

- Lugares en los que se empleen productos químicos como en las piscinas
- Lugares sujetos a humedad o humo grasiento como en la cocina
- Lugares que tengan un entorno especial que estén sujetos a ambientes o solventes inflamables
- Lugares donde se genere radiación, rayos X, ondas de radio potentes o campos magnéticos fuertes
- Lugares cercanos al litoral sometidos directamente a la brisa del mar, o lugares expuestos a gases corrosivos como el de las aguas termales, regiones volcánicas, etc.
- Lugares en los que la temperatura no esté dentro del margen especificado
- Lugares sujetos a vibraciones, como pueda ser en el interior de vehículos, embarcaciones o encima de líneas de producción (Este producto no está diseñado para ser empleado dentro de vehículos.)
- Lugares expuestos a condensación debido a cambios bruscos de temperatura como, por ejemplo, cerca de la unidad exterior de un aparato de aire acondicionado.
- Lugares cerca de productos de caucho que contienen azufre (envases, patas de goma, etc.)

■ **Apriete de tornillos**

No emplee un destornillador de impacto. El empleo de un destornillador de impacto puede causar daños en los tornillos o su apriete excesivo.

■ **Acerca de la reflexión de la luz desde el exterior o luz IR**

Podría aparecer efecto fantasma en la pantalla dependiendo del ángulo incidente de la luz externa.

En el caso de usar la luz IR, instalar la cámara cerca de una pared podría causar reflexiones de los rayos infrarrojos y parte de la pantalla o toda la pantalla se volverá blanquecina.

- Consulte nuestro sitio web de información técnica <N.º de control: C0109> para ver ejemplos de imágenes y medidas a tomar.

■ **Tenga en cuenta la humedad**

Instale este producto cuando haya poca humedad. Si se efectúa la instalación cuando está lloviendo o en condiciones de alta humedad, es posible que la humedad afecte el interior y cause neblina dentro del panel frontal.

■ **Protección contra rayos**

Cuando se emplean cable al aire libre, se correrá el peligro de que puedan verse afectados por los rayos. En tales casos, instale un pararrayos cerca de la cámara y procure que la longitud del cable de la red entre la cámara y el pararrayos sea lo más corta posible para evitar la posibilidad de que los rayos puedan afectar a la cámara. Consulte nuestro sitio web de información técnica <N.º de control: C0121>

■ **Cuando puede ocurrir perturbación de ruido**

Puede aparecer ruido en el vídeo o audio cerca de los fuertes campos eléctricos de una antena de televisión o de radio, de motores y transformadores, o de fuertes campos eléctricos/campos magnéticos de una línea eléctrica (línea de luces) de 100 V CA o más. Realice el trabajo de distribución de energía manteniéndose a 1 m de distancia o realice el trabajo del conducto eléctrico usando tuberías de metal. (Asegúrese de conectar a tierra las tuberías de metal).

■ **Etiqueta de clasificación del equipo y de indicación de la fuente de alimentación**

Mire la etiqueta de identificación de la parte trasera de la base de soporte de esta unidad para ver la clasificación del equipo, los valores de alimentación y demás información.

■ **VCCIについて**

この装置は、クラスA機器です。この装置を住宅環境で使用すると電波妨害を引き起こすことがあります。この場合には使用者が適切な対策を講ずるよう要求されることがあります。 VCCI-A

■ **Acerca de la electricidad estática**

Antes de instalar o desinstalar este producto, asegúrese de tocar un objeto metálico para descargar la electricidad estática de su cuerpo.

Especificaciones

Valores de alimentación*1, *2:	12 V CC PoE+ (Compatible con IEEE802.3at)
Consumo de energía*1, *2:	12 V CC: 1,2 A / aprox. 14,2W PoE+ 54 V CC: 260 mA / aprox. 14,0 W (dispositivo de clase 4)
Entorno de operación Temperatura ambiental de funcionamiento:	-40 °C a +55 °C*3 (Margen de conexión de la alimentación: -30 °C a +55 °C)
Humedad ambiental de funcionamiento:	10 % a 100 % (sin condensación)
Entorno de almacenaje Temperatura de almacenaje:	-30 °C a +60 °C
Humedad de almacenaje:	10 % a 95 % (sin condensación)
Resistente al agua y al polvo*4:	IP67/IP66 (IEC 60529), Tipo 4X (UL50E), cumple con la norma NEMA 4X
Resistencia a los golpes:	IK10 (IEC 62262)
Resistencia al viento:	Hasta 40 m/s
Dimensiones:	133 mm (An) x 133 mm (Al) x 383 mm (Prf)
Masa:	Aprox. 2,5 kg
Acabado:	Cuerpo principal: Aluminio presofundido/resina, blanco i-PRO Tornillos de fijación exteriores: Acero inoxidable (tratamiento resistente a la corrosión) Panel frontal: Resina PC, transparente transparente (con revestimiento ClearSight)

*1 Visite nuestro sitio en la web de información técnica <N.º de control: C0106> para encontrar más información acerca de los valores de alimentación y del consumo de energía.

*2 Al usar la fuente de alimentación de 12 V CC de este producto, se requiere el terminal de EXT I/O, la entrada de audio y la salida de audio, el cable I/O (WV-QCA501A: opcional).

*3 Cuando se utilice con la luz LED IR encendida constantemente, el límite superior del intervalo de temperaturas de funcionamiento es de +50 °C.

*4 Sólo cuando el trabajo de instalación se efectúa correctamente como se describe en la Guía de instalación y se aplica el tratamiento impermeabilizante apropiado.

Accesorios opcionales



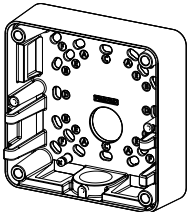
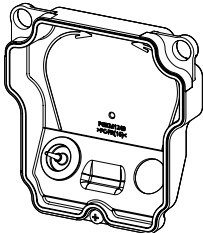
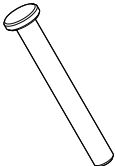
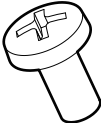
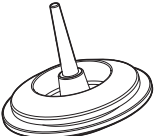
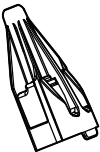

La información más reciente → Sitio web de información técnica “Accessory Selector” <N.º de control: C0501>

Solución de problemas

Antes de solicitar el servicio, consulte “Solución de problemas” en la Guía web. A continuación, confirme el problema.

Accesorios estándar

Important Safety Instructions1 pieza

			
Caja de adaptador ×1		Cubierta del aislador ×1	
			
Pasador de montaje para la caja del adaptador ×1	Tornillo de montaje M4×8 mm ×2 (1 de ellas de repuesto)	Aislador ×2 (1 de ellas de repuesto)	Tapa RJ45 ×1
		Etiqueta de revestimiento contra la lluvia ×1 (con revestimiento ClearSight)	

Otros artículos que son necesarios (no incluidos)

- Tornillos de montaje

Método de instalación	Tornillo recomendado*1	Resistencia mínima al tiro hacia fuera*2
Cuando la cámara se monta directamente sobre una superficie de instalación.	M4 × 16 mm × 4 piezas*3, *4	724 N
Monte la cámara en un dos cajas eléctricas/cajas de empalmes.		
Monte la cámara utilizando la ménsula de montaje diseñada exclusivamente.	Consulte el manual de instrucciones de cada soporte.	

*1 Seleccione unos tornillos que sean adecuados para el material del lugar donde se proponga montar la cámara. En este caso, no deberán emplearse tornillos ni clavos para madera.

*2 Este valor indica el valor mínimo requerido de resistencia al tiro hacia fuera por tornillo. Para encontrar información sobre la resistencia mínima al tiro hacia fuera, visite nuestro sitio web de información técnica <N.º de control: C0120>.

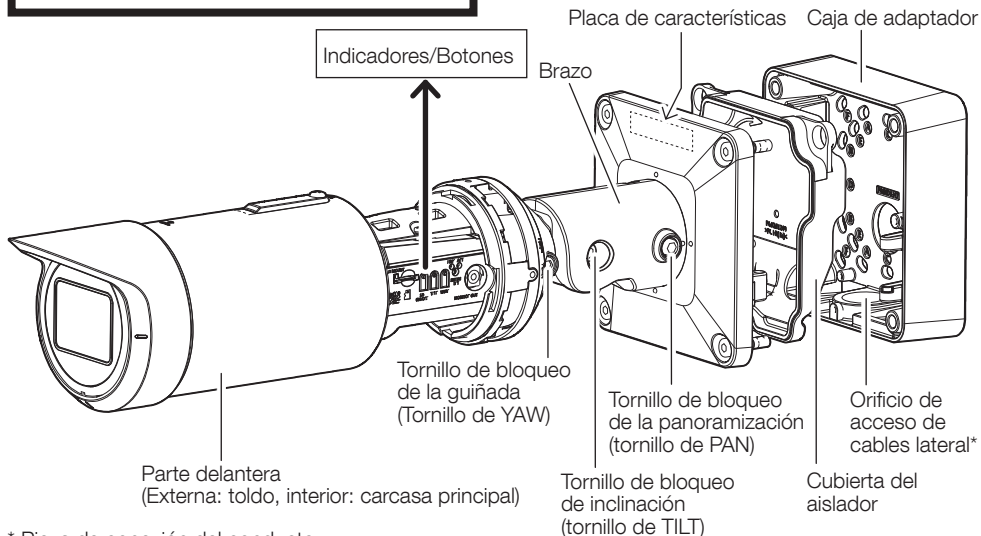
*3 La longitud del tornillo es un ejemplo cuando se instala la cámara sobre una superficie de instalación sólida con un grosor de 20 mm o más.

*4 Se aconseja emplear tornillos de montaje anticorrosivos o efectuar el calafateado.

- Cable de Ethernet con clavija RJ45 (categoría 5e o mejor, recto, todos los 4 pares (8 clavijas), menos de 100 m)
- Cable de entrada de audio, cable de salida de audio, cable de E/S de alarma, cable de suministro de alimentación, según sea necesario
- llave hexagonal de 5 mm

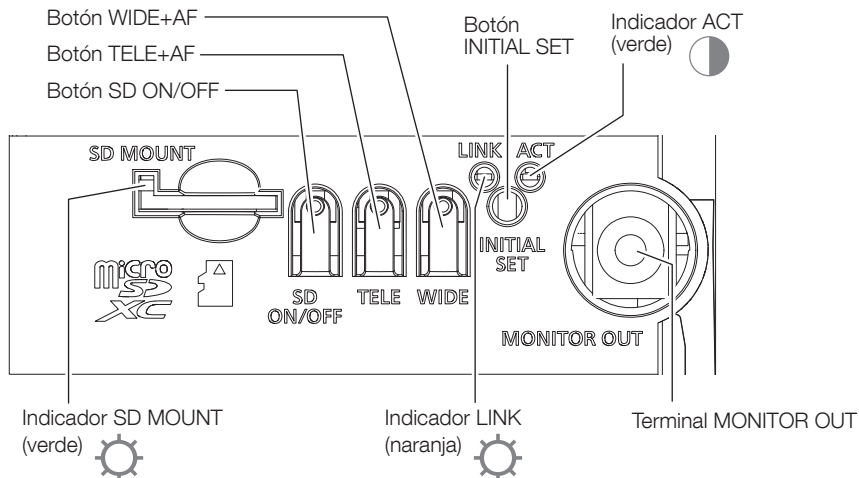
Procedimiento de instalación

Partes y funciones



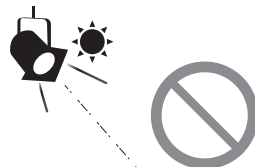
* Pieza de conexión del conducto (En conformidad con CTG22 de JIS C 8305 (roscas de tubo de conducto) o G3/4 de JIS B 0202 (para roscas de tubo paralelas))

Indicadores/Botones

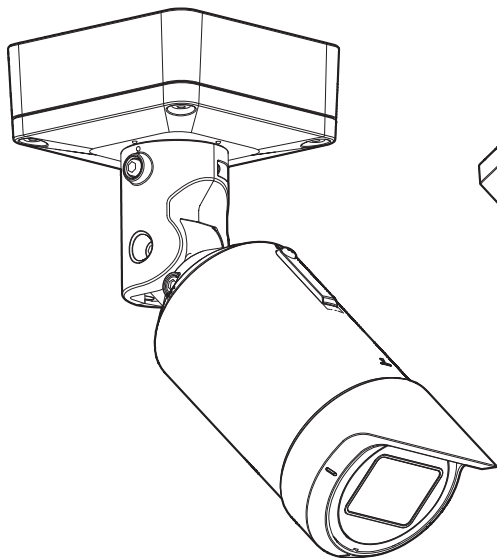


- User manual [Indicator] Apagado forzoso de todos los LED
- User manual "Format"
- Se recomienda usar una tarjeta de memoria microSD para dispositivos i-PRO.

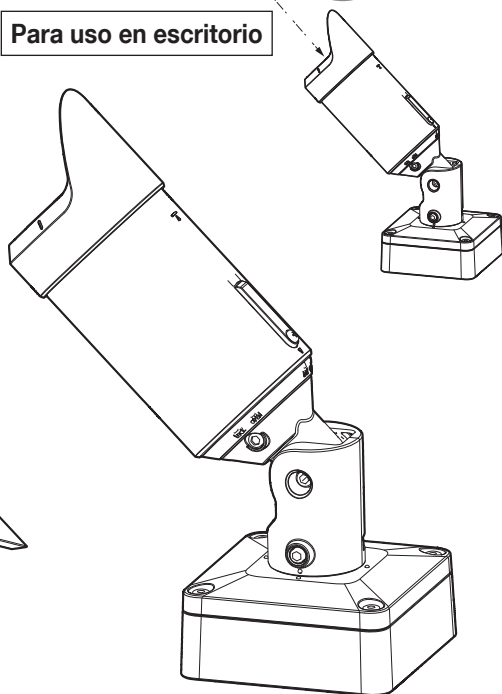
Método de instalación



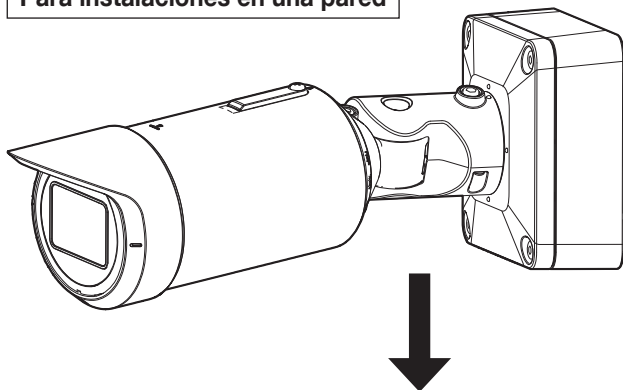
Para instalaciones en un techo



Para uso en escritorio



Para instalaciones en una pared



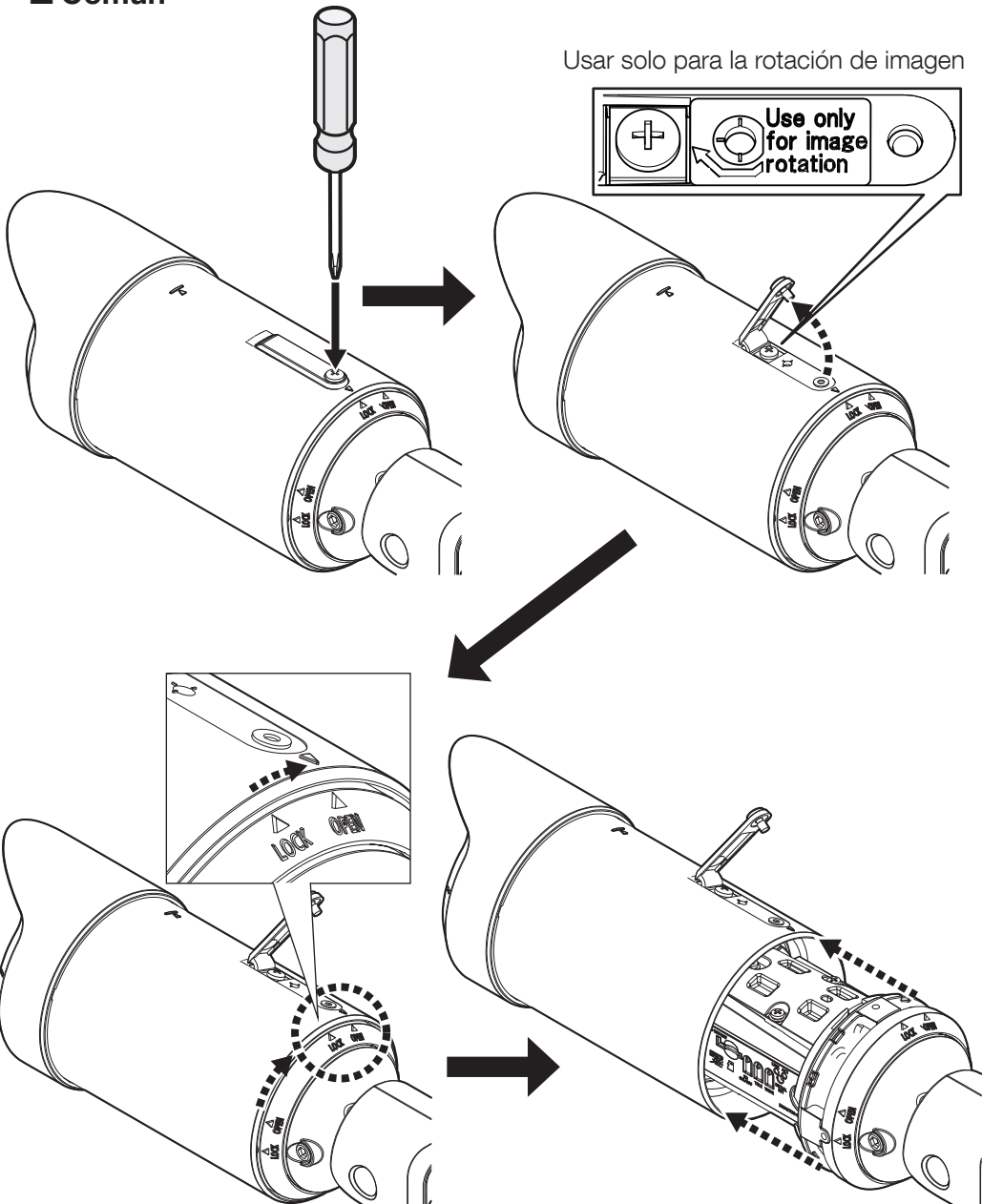
Ejemplo de explicación para la instalación

Paso 1

Preparativos

■ Común

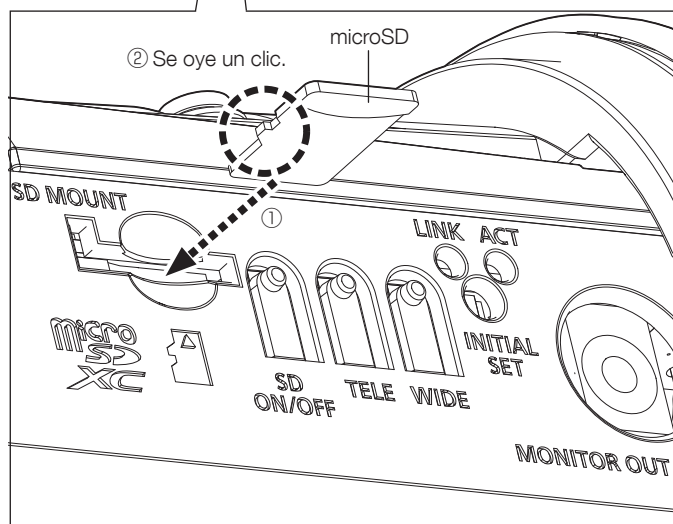
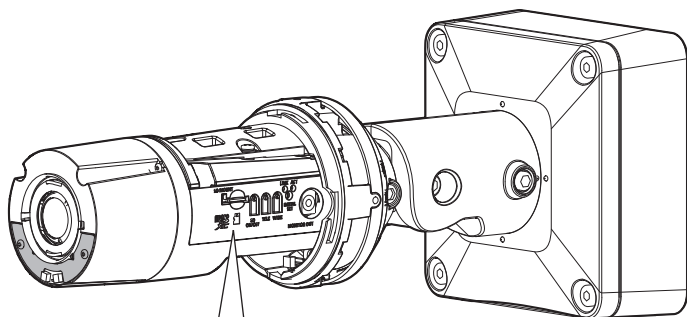
Usar solo para la rotación de imagen



Paso 1

Preparativos (continuación)

■ Al usar una tarjeta de microSD

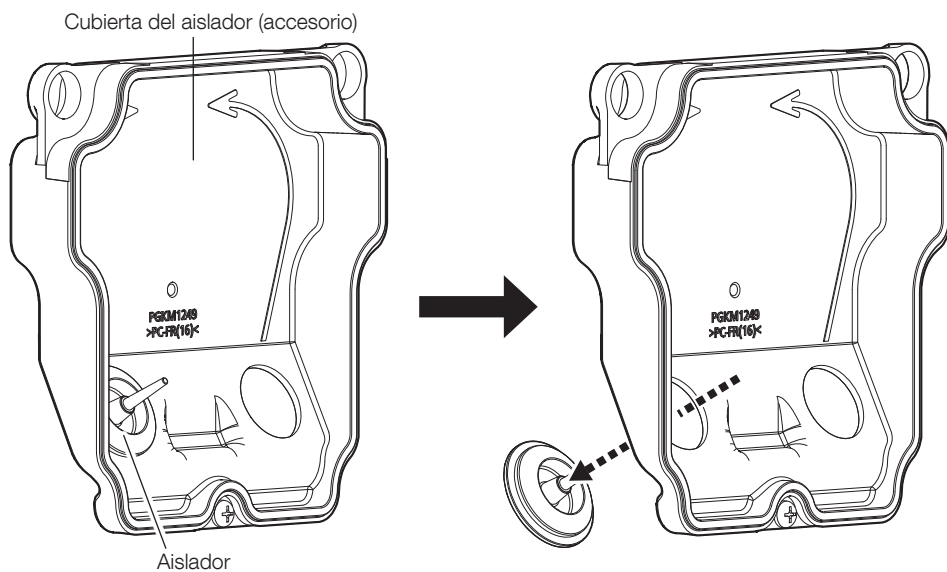


- User manual "Format"
- Se recomienda usar una tarjeta de memoria microSD para dispositivos i-PRO.

Paso 1

Preparativos (continuación)

■ Al usar un cable de E/S (WV-QCA501A: opcional)



Paso 2

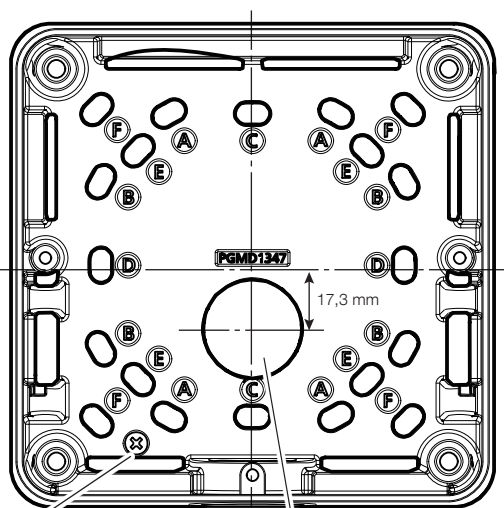
	Dirección vertical	Dirección horizontal
A	83,5 mm (82,5 mm)	46 mm (47,6 mm)
B	46 mm (47,6 mm)	83,5 mm (82,5 mm)
C	83,5 mm (83,3 mm)	–
D	–	83,5 mm (83,3 mm)
E	63 mm	63 mm
F	85,7 mm	85,7 mm



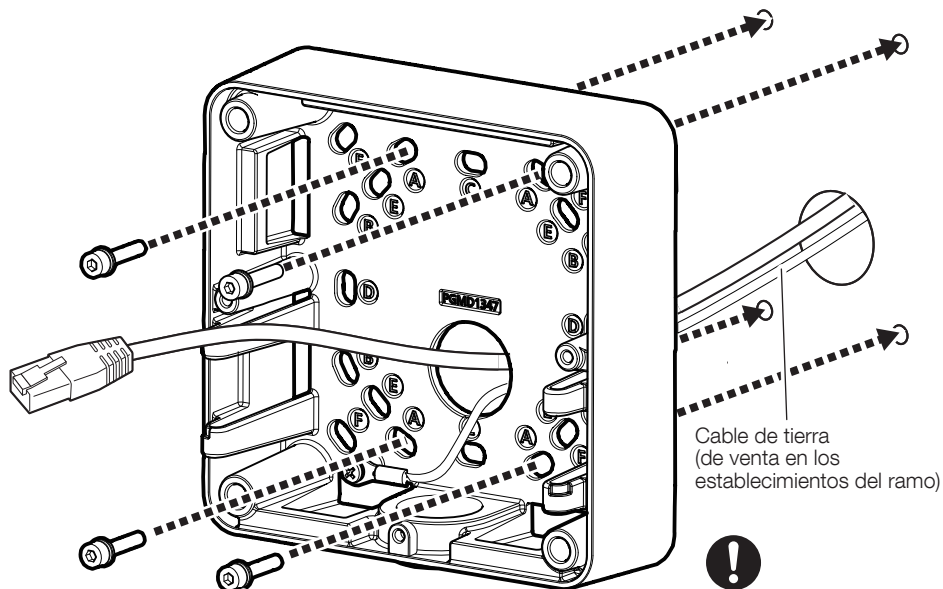
Sitio web de información técnica
 "Countermeasure for Lightning Surge"
 <N.º de control: C0121>



M3×8 mm
 Tornillo con arandela de resorte
 Torsión de apriete recomendada:
 0,69 N·m



Orificio de acceso de cable del conducto



M4 (4 piezas/2 piezas)
 (de venta en los establecimientos del ramo)

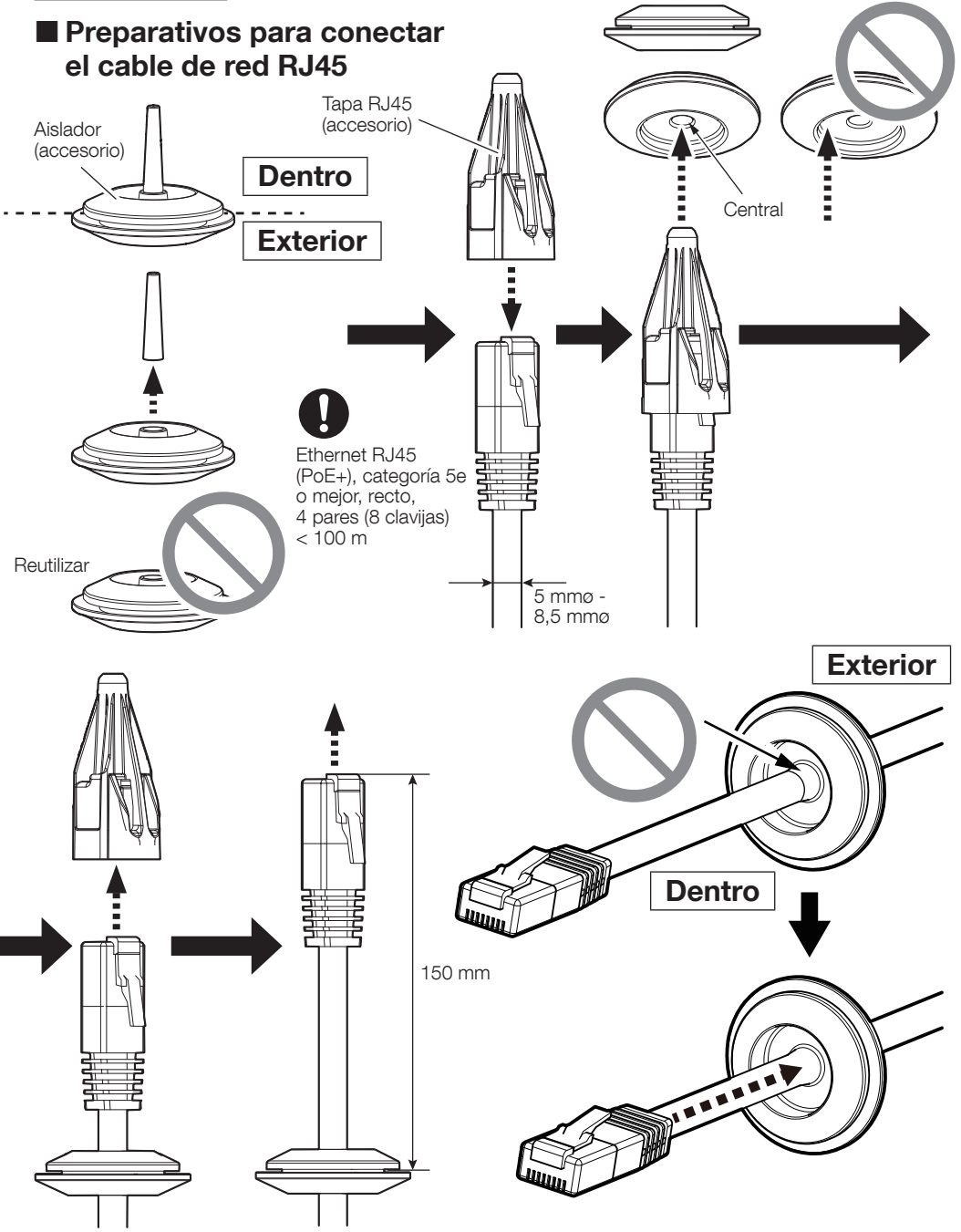
Cable de tierra
 (de venta en los establecimientos del ramo)



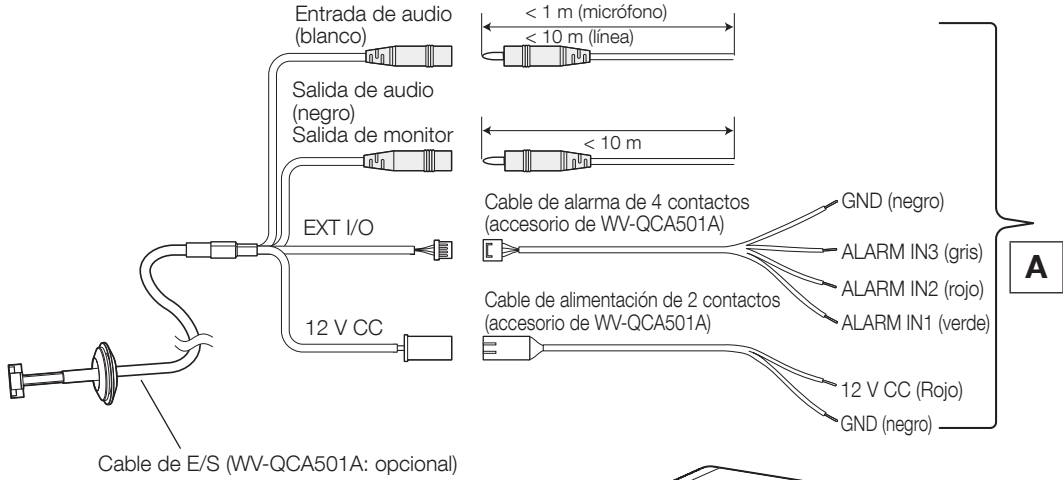
Resistencia mínima al tiro
 hacia fuera:
 724 N (por 1 pieza)

Paso 3

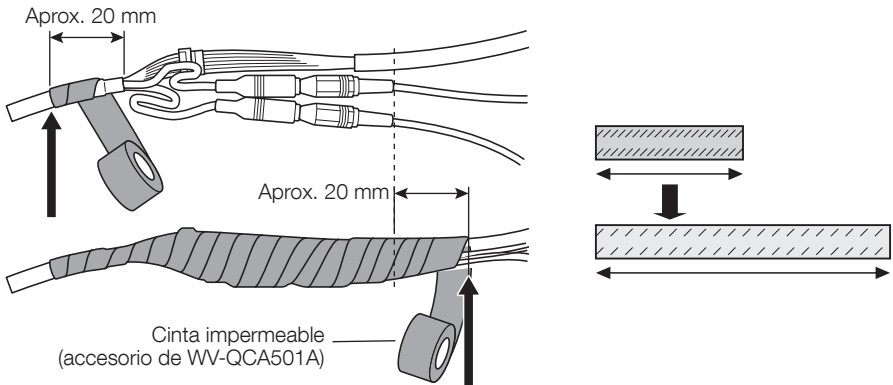
Preparativos para conectar el cable de red RJ45



■ Al usar un cable de E/S (WV-QCA501A: opcional)



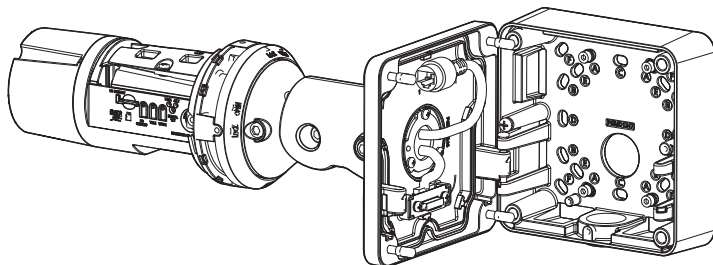
- Estire la cinta impermeable aproximadamente el doble de la longitud que se usará.
- Para acortar la parte del bobinado de la cinta, enrolle la cinta mientras mantiene el cable de audio suelto.



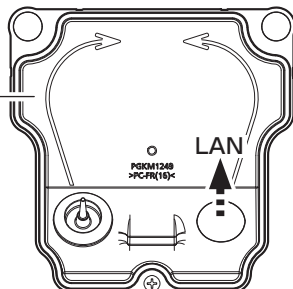
Paso 4

Las ilustraciones siguientes son ejemplos al conectar únicamente el cable de red RJ45.

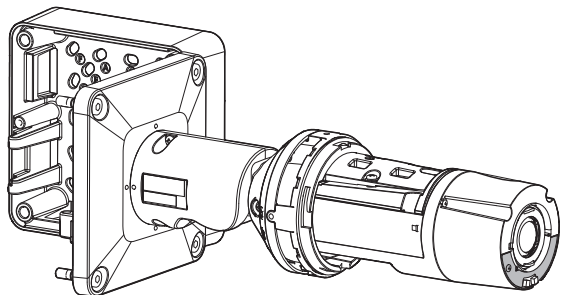
Apertura a la izquierda



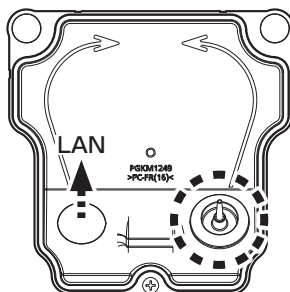
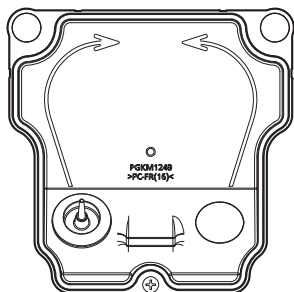
Cubierta del aislador
(En el momento de envío desde la fábrica,
hay un aislador en el orificio izquierdo).



Apertura a la derecha

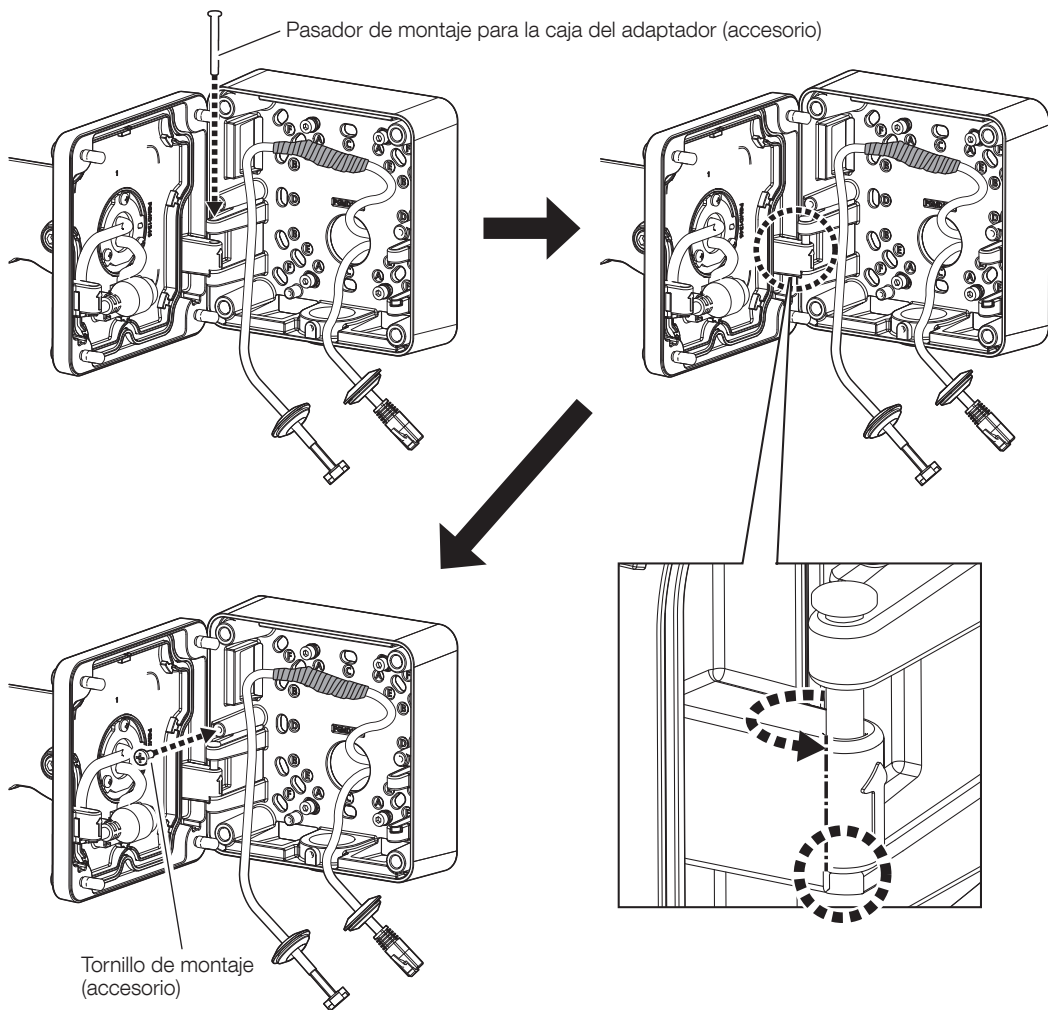


- Al realizar la instalación con apertura a la derecha, mueva un aislador en el orificio izquierdo hacia el orificio derecho.



Paso 5

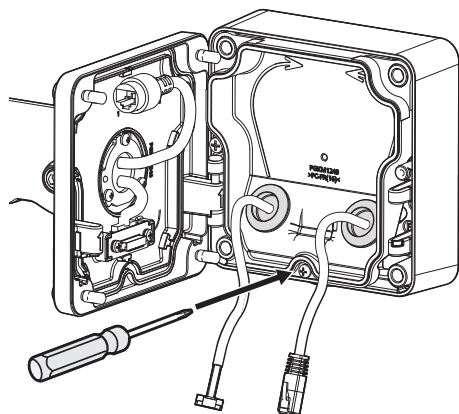
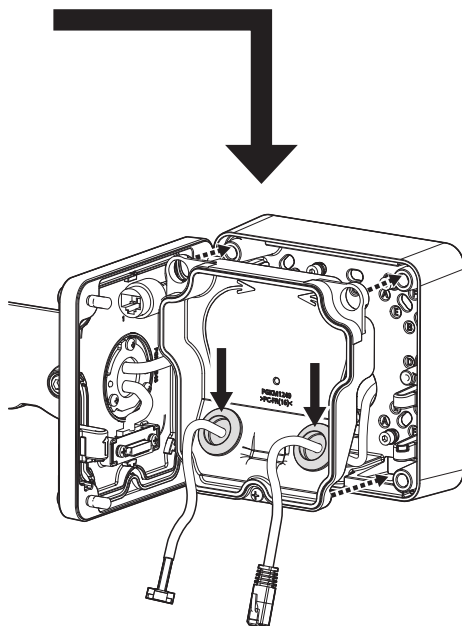
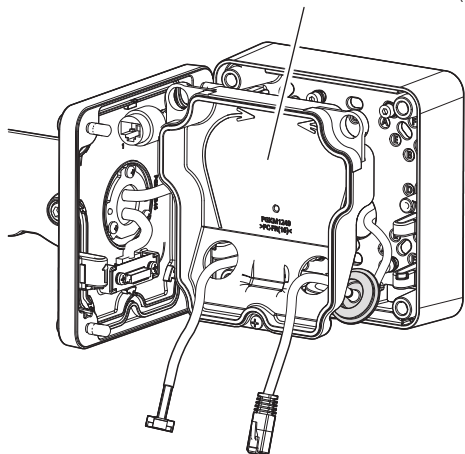
Las siguientes ilustraciones muestran ejemplos de instalación para una apertura a la izquierda.



Torsión de apriete recomendada:
0,69 N·m

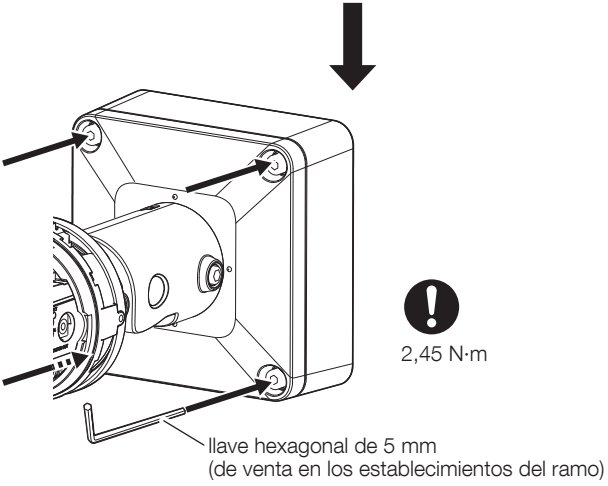
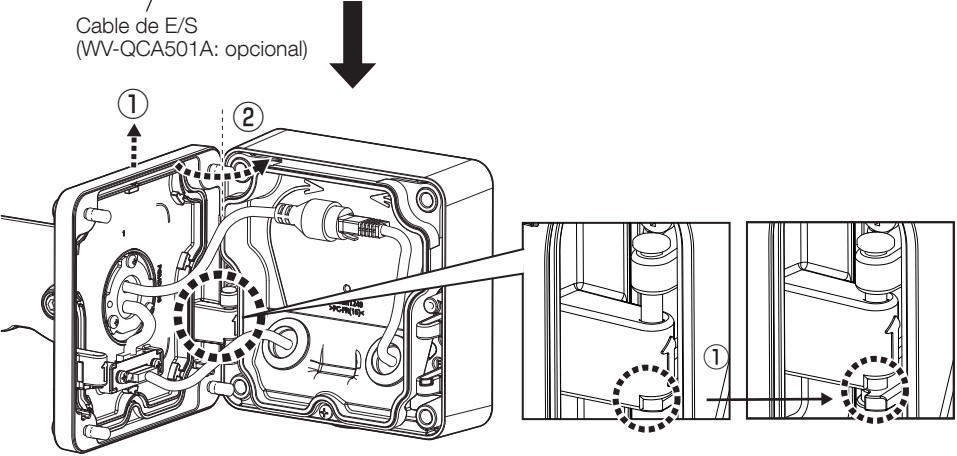
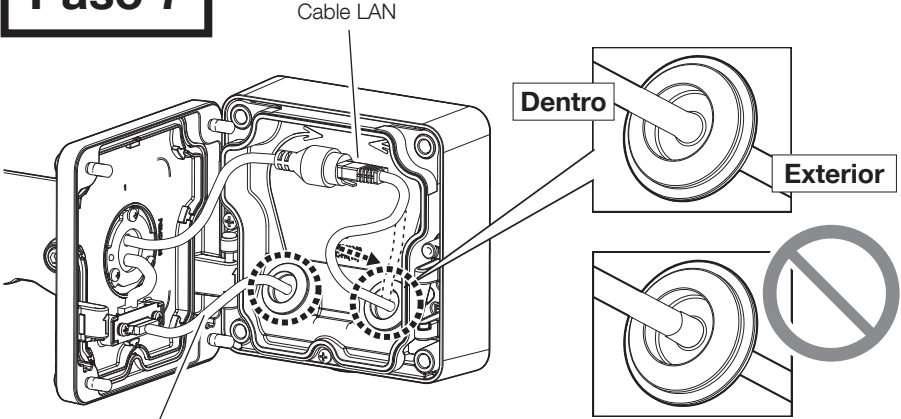
Paso 6

Cubierta del aislador (accesorio)



0,69 N·m

Paso 7

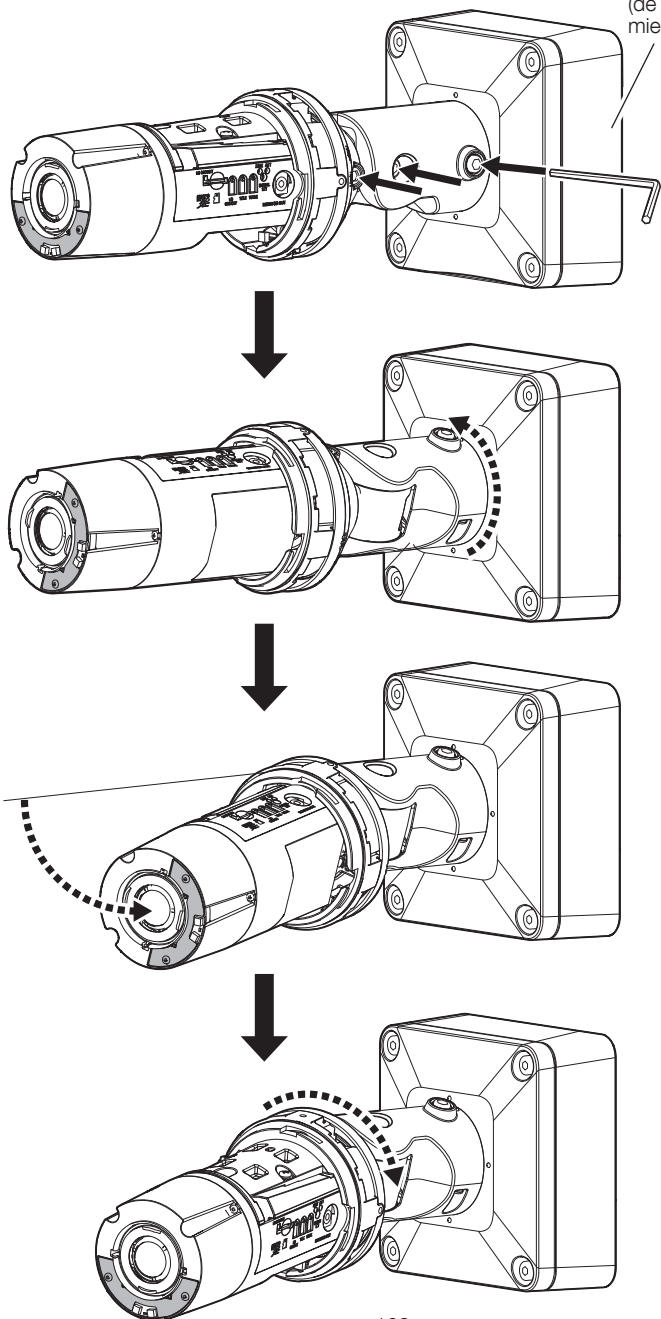


Paso 8

* Ajuste aproximadamente la dirección de la cámara antes de ajustarla.

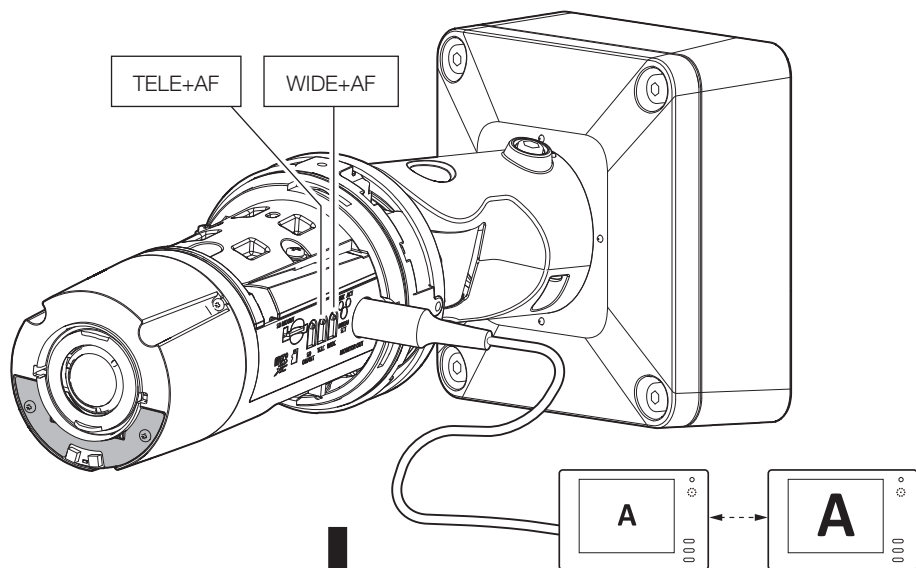
A continuación se muestra un ejemplo con la dirección de la cámara girada hacia la derecha.

llave hexagonal de 5 mm
(de venta en los estableci-
mientos del ramo)

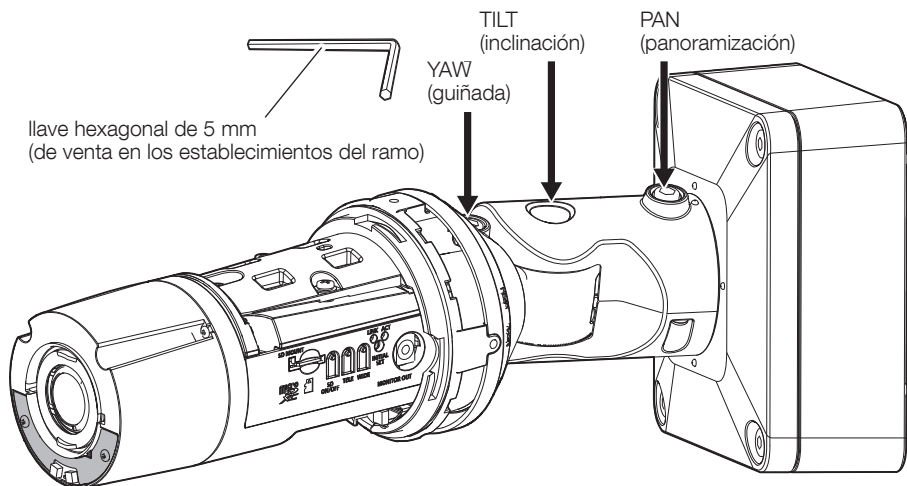


Paso 9

→ Encendido (12 V CC/PoE+)



Reajuste Paso 8

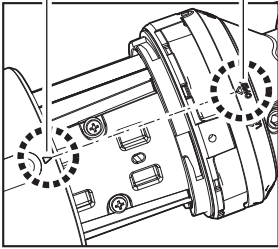


Tornillo de bloqueo de la panoramización (tornillo de PAN): 2,7 N·m
Tornillo de bloqueo de inclinación (tornillo de TILT): 4,3 N·m
Tornillo de bloqueo de la guiñada (tornillo de YAW): 2,7 N·m

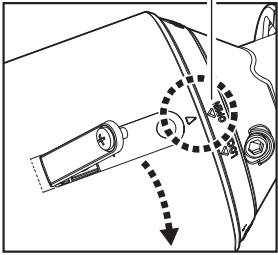
Paso 10

Marca "△"

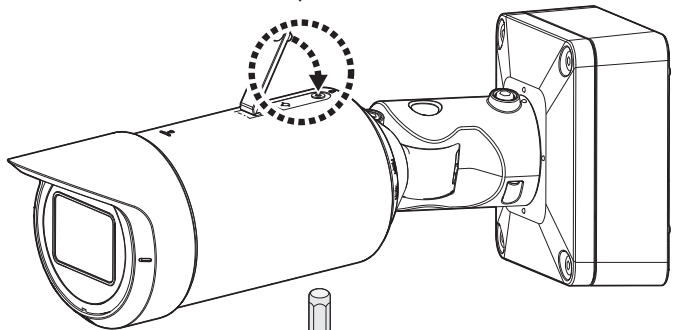
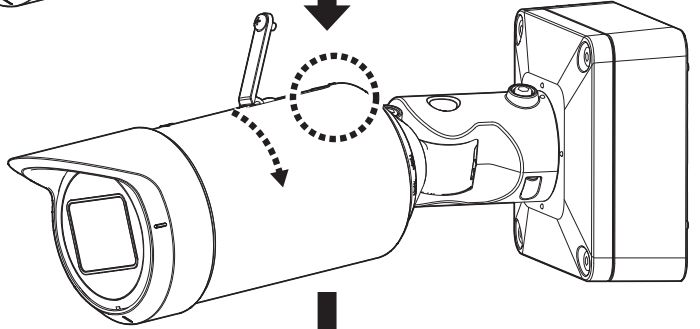
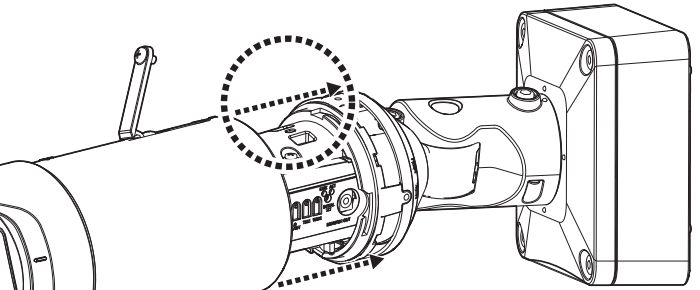
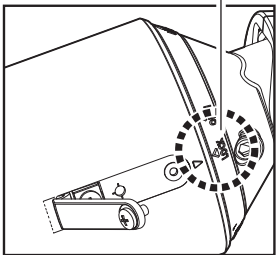
OPEN



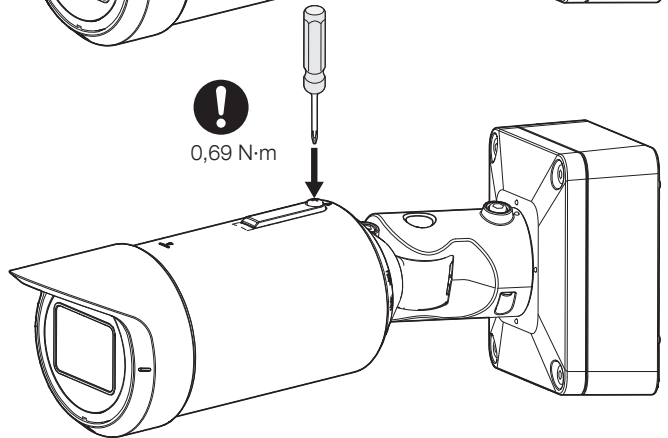
OPEN



LOCK



0,69 N·m



Paso 11



Sitio web de información técnica
"IP Setting Software"

<N.º de control: C0123>

o

"i-PRO Configuration Tool(iCT)"

<N.º de control: C0133>

"Extra optical zoom"

<N.º de control: C0124>

"How to take a wide depth of field"

<N.º de control: C0127>

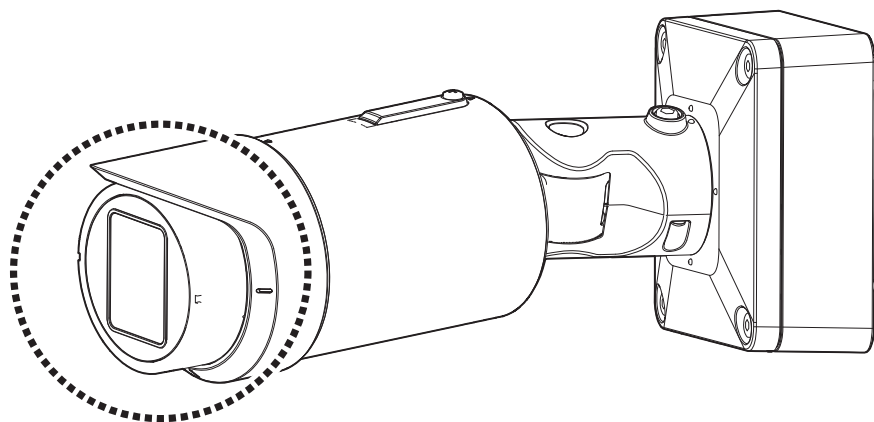
■ Al usar la "Rotación de imagen" → Gire el toldo



Sitio web de información técnica

"Installation method for rotating the sunshade"

<N.º de control: C0131>



Руководство по монтажу

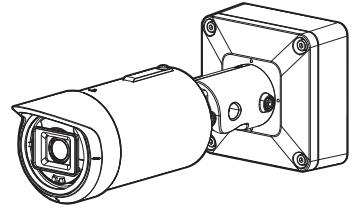
Входящие в комплект Инструкции по монтажу

Сетевая камера

Только для профессионального использования

Наружное использование

Модель № WV-X15700-V2L
WV-X15600-V2L
WV-X15500-V3L
WV-X15300-V3L



WV-X15700-V2L

Об инструкциях для пользователя

Документация продукта состоит из следующих документов.

- **Руководство по монтажу (настоящий документ):** Содержит информацию о "Меры предосторожности", "Меры предосторожности при монтаже" и способе монтажа.
- **Веб-руководство (обратитесь по ссылке на следующем веб-сайте с информацией о продукте):** Включает видео по монтажу, базовые функции и базовые способы работы для данного устройства.
- **User manual (Только английский) (обратитесь по ссылке на следующем веб-сайте с информацией о продукте):** В этом разделе приведены инструкции по эксплуатации, общие для всех моделей.
https://i-pro.com/products_and_solutions/en/surveillance/documentation-database



"<Контрольный №: С****>", используемый в этих документах, следует использовать для поиска информации на нашем веб-сайте технической информации (https://i-pro.com/products_and_solutions/en/surveillance/learning-and-support/knowledge-base/technical-information) и нахождения нужной информации.

- Прежде чем приступить к подключению или управлению настоящим изделием, следует тщательно изучить настоящую инструкцию и сохранить брошюру "Important Safety Instructions" для использования в будущем.
- Карта памяти microSDXC/ microSDHC/ microSD обозначается как карта памяти microSD.
- Внешний вид и прочие детали, показанные в данном руководстве, могут отличаться от фактического изделия в пределах, когда это не помешает нормальному использованию по причине улучшения изделия.



i-PRO Co., Ltd.

Tokyo, Japan

<https://www.i-pro.com/>

Authorised Representative in EU:
i-PRO EMEA B.V.
Laarderhoogtweg 25, 1101 EB
Amsterdam, Netherlands

i-PRO EMEA B.V. UK Branch
1010 Cambourne Business Park,
Cambridgeshire CB23 6DP



[Русский язык]

Декларация о Соответствии Требованиям Технического Регламента об Ограничении Использования некоторых Вредных Веществ в электрическом и электронном оборудовании (утверждённого Постановлением №1057 Кабинета Министров Украины)

Изделие соответствует требованиям Технического Регламента об Ограничении Использования некоторых Вредных Веществ в электрическом и электронном оборудовании (ТР ОИВВ).

Содержание вредных веществ в случаях, не предусмотренных Дополнением №2 ТР ОИВВ:

1. свинец (Pb) – не превышает 0,1 % веса вещества или в концентрации до 1000 миллионных частей;
2. кадмий (Cd) – не превышает 0,01 % веса вещества или в концентрации до 100 миллионных частей;
3. ртуть (Hg) – не превышает 0,1 % веса вещества или в концентрации до 1000 миллионных частей;
4. шестивалентный хром (Cr6+) – не превышает 0,1 % веса вещества или в концентрации до 1000 миллионных частей;
5. полибромбифенолы (PBB) – не превышает 0,1 % веса вещества или в концентрации до 1000 миллионных частей;
6. полибромдифеноловые эфиры (PBDE) – не превышает 0,1 % веса вещества или в концентрации до 1000 миллионных частей.

[Українська мова]

Декларация про Відповідність Вимогам Технічного Регламенту Обмеження Використання деяких Небезпечних Речовин в електричному та електронному обладнанні (затвердженого Постановою №1057 Кабінету Міністрів України)

Виріб відповідає вимогам Технічного Регламенту Обмеження Використання деяких Небезпечних Речовин в електричному та електронному обладнанні (ТР ОБНР).

Вміст небезпечних речовин у випадках, не обумовлених в Додатку №2 ТР ОБНР, :

1. свинець(Pb) – не перевищує 0,1 % ваги речовини або в концентрації до 1000 частин на мільйон;
2. кадмій (Cd) – не перевищує 0,01 % ваги речовини або в концентрації до 100 частин на мільйон;
3. ртуть(Hg) – не перевищує 0,1 % ваги речовини або в концентрації до 1000 частин на мільйон;
4. шестивалентний хром (Cr6+) – не перевищує 0,1 % ваги речовини або в концентрації до 1000 частин на мільйон;
5. полібромбифеноли (PBB) – не перевищує 0,1 % ваги речовини або в концентрації до 1000 частин на мільйон;
6. полібромдефенілові ефіри (PBDE) – не перевищує 0,1 % ваги речовини або в концентрації до 1000 частин на мільйон.

Информация об изделии

Страна-производитель	Сделано в Китае
Название производителя	i-PRO Co., Ltd.
Местонахождение производителя	2-15-1 Конан, Минато-ку, Токио 108-6014 Япония
Год/месяц производства	Первая буква серийного номера изделия указывает две последние цифры года: пример) 2001: A, 2002: B, ... 2025: Y 2-ая буква серийного номера продукта указывает месяц (с января по декабрь). пример) Январь: A, Февраль: B, ... Декабрь: L

< Предупреждение >

Следуйте нижеприведённым правилам, если иное не указано в других документах.

1. Устанавливайте прибор на твёрдой плоской поверхности, за исключением отсоединяемых или несъёмных частей.
2. Хранить в сухом, закрытом помещении.
3. Во время транспортировки не бросать, не подвергать излишней вибрации или ударам о другие предметы.
4. Утилизировать в соответствии с национальным и/или местным законодательством.

Правила и условия реализации не установлены изготовителем и должны соответствовать национальному и/или местному законодательству страны реализации товара.

Только для профессионального использования

Срок службы данного изделия устанавливается производителем, равен 7 годам, начиная с даты производства при условии, что изделие используется в строгом соответствии с настоящей инструкцией по эксплуатации и применимыми техническими стандартами.

Информация по обращению с отходами для стран, не входящих в Европейский Союз



Действие этого символа распространяется только на Европейский Союз. Если Вы собираетесь выбросить данный продукт, узнайте в местных органах власти или у дилера, как следует поступать с отходами такого типа.

ПРЕДУПРЕЖДЕНИЕ:

- Эксплуатация данного продукта в жилых районах может вызвать радиопомехи.

Внимание:

- Источник пост.т., подключенный к камере, должен находиться в том же здании.
- Сетевая камера предназначена только для подключения к сети Ethernet или PoE без маршрутизации на линейные сооружения.
- Данный продукт не имеет выключателя сети. Обязательно установите отключающие устройства, такие как автоматический выключатель, для отключения основного питания оборудования, использующегося для подачи питания на данное изделие.
- Подключайте только источник питания пост.т. 12 V класса 2 (UL 1310/CSA 223), источник питания с ограниченной мощностью (IEC/EN/UL/CSA 60950-1, IEC/EN/UL/CSA 62368-1, приложение Q) или IEC/EN/UL/CSA 62368-1 PS2.
- Прежде чем приступить к подсоединению или управлению настоящим изделием, следует тщательно изучить настоящую инструкцию.

Примечание:

- Данный продукт не подходит для использования в местах, где могут находиться дети.
- Не устанавливайте данное устройство в легкодоступных для обычных людей местах.
- Это изделие является профессиональным оборудованием.
- Для получения информации о винтах и других деталях, необходимых для установки, обратитесь к соответствующему разделу данного документа.

■ ■ ■ ■ : Символ постоянного тока

Меры предосторожности

Во избежание нанесения вреда людям и материального ущерба объясняются требования, которые необходимо неукоснительно соблюдать. Положения техники безопасности, общие для всех моделей сетевых камер i-PRO, размещены на веб-сайте, ссылку на который содержит двухмерный штрих-код справа. Пожалуйста, не забудьте просмотреть его. https://i-pro.com/products_and_solutions/en/surveillance/learning-and-support/knowledge-base/safety-instructions



■ Не устанавливайте данное изделие в ограниченных или запретных зонах.

Несоблюдение этого требования может привести к травме, несчастному случаю или неисправности вследствие падения.

Ознакомьтесь с мерами предосторожности, общими для всех моделей, на указанном выше веб-сайте, а также с мерами предосторожности при монтаже в руководстве по монтажу.

■ Монтажные работы следует поручить дилеру.

Монтажные работы требуют технических навыков и опыта. Несоблюдение этого требования может привести к пожару, поражению электрическим током, травмам или повреждению изделия. Нужно обязательно обращаться к дилеру.

■ Надежно и точно установите изделие на поверхности установки в соответствии с инструкциями по установке.

Несоблюдение этого требования может привести к травмированию или авариям.

■ Примите меры предосторожности против падения данного изделия.

Несоблюдение этого требования может привести к падению устройства, ведущему к травмированию. Надежно прикрепите изделие к монтажной поверхности с помощью винтов или анкерных болтов. Если прилагается страховочный тросик, обязательно установите его.

■ В случае возникновения проблем с настоящим продуктом следует немедленно прекратить его использование.

Когда из прибора выделяется дым, либо пахнет дымом, либо же наружная поверхность прибора испортилась, то продолжительная работа прибора будет приводить к его пожару или падению и, как следствие, к травмированию, авариям или потере свойств.

В этом случае необходимо немедленно отключить прибор от сети питания, затем обратиться к квалифицированному персоналу по техобслуживанию и ремонту.

■ Проводите периодические проверки.

Ржавчина металлических деталей или винтов может вызвать падение прибора, ведущее к травмированию или авариям.

За проверками следует обращаться к дилеру.

Перед проверкой или техническим обслуживанием обязательно выключайте питание.

Меры предосторожности при монтаже

i-PRO Co., Ltd. не несет ответственности за травмы и материальный ущерб, причиненные вследствие неправильной установки или эксплуатации не в соответствии с данной документацией.

■ **Чтобы предотвратить травмы, изделие должно быть надежно установлено на поверхности установки согласно руководству по монтажу.**

■ **Зона под монтаж данного прибора**

В качестве зоны под монтаж прибора (такой как поверхность установки) в особых окружающих условиях выбирают соответствующее место.

- Следует убедиться, что зона под монтаж достаточно прочна для выдерживания массы данного прибора, как бетонный потолок.
- Следует смонтировать камеру на основании конструкции здания или в месте с достаточно высокой прочностью.
- Не следует монтировать прибор на гипсокартонную плиту или деревянную плиту, так как они не имеют достаточной прочности для монтажа. В случае вынужденного монтажа прибора на такое место оно (место) должно быть достаточно усилено и укреплено.

■ **Не следует устанавливать настоящий продукт в следующих местах:**

- Места, где использован химикат, как плавательный бассейн
- Места, которые подвержены воздействию влаги или масляных паров, такие как кухня
- Места со специфической окружающей средой, в которой используются легковоспламеняющиеся продукты или растворители
- Места, где возникает радиация, рентгеновское излучение, сильные радиоволны или сильное магнитное поле
- Места вблизи побережья, непосредственно подверженные воздействию морских бризов, или места, подверженные воздействию агрессивных газов, таких как горячие источники, вулканические области и т.д.
- Места, где температура выходит за пределы установленного температурного диапазона
- Места, подверженные воздействию вибраций, такие как автомобили, морские суда или вышеуказанная линия продуктов (Данный продукт не предназначен для применения в автомобилях.)
- Места, в которых может образовываться конденсат в результате резких перепадов температуры, например около наружного блока кондиционера.
- Места рядом с продуктами, содержащими серу. (упаковка, резиновые ножки и т. п.)

■ **Затяжка винтов**

Нельзя использовать ударного винтоверта. Использование ударного винтоверта может вызвать повреждение винтов или их перетяжку.

■ **Об отражении света снаружи и ИК-света**

В зависимости от угла падения внешнего света на экране может появляться ореол.

В случае использования ИК-света установка камеры рядом со стеной может стать причиной отражения инфракрасных лучей, что приведет к осветлению части или всего экрана.

- Для поиска примеров изображений и мер по устранению см. на нашем веб-сайте технической информации <Контрольный №: C0109>.

■ **Нужно обращать внимание на влажность**

Данный прибор следует смонтировать в условиях низкой относительной влажности воздуха. Если установка выполняется во время дождя или в условиях повышенной влажности, внутренние детали могут быть подвергнуты воздействию влаги, что приведет к появлению конденсата внутри передней панели.

■ **Защита от молнии**

Когда кабели используются на улице, существует вероятность, что они могут быть поражены молнией. В этом случае установите грозовой разрядник рядом с камерой и сделайте длину сетевого кабеля между камерой и грозовым разрядником максимально возможно короткой для предотвращения повреждения камеры молнией. Посетите наш веб-сайт технической информации <Контрольный №: C0121>

■ **Когда могут возникнуть шумовые помехи**

В видео или аудио может возникнуть шум вблизи сильного электрического поля от телевизора или радио антенн, электродвигателей и трансформаторов, или сильного электрического поля/магнитного поля от линии электропередачи с переменным током (ламповая линия) 100 V или более. Произведите работы по разводке электропитания на расстоянии 1 м и более от них или выполняйте работы по прокладке электрических кабелей с использованием металлических труб. (Обязательно выполните заземление металлических труб).

■ **Этикетка классификации оборудования и источника питания**

См. идентифицирующую этикетку на задней стороне подставки данного устройства для получения информации о классификации устройства, источнике питания и других данных.

■ **VCCIについて**

この装置は、クラスA機器です。この装置を住宅環境で使用すると電波妨害を引き起こすことがあります。この場合には使用者が適切な対策を講ずるよう要求されることがあります。 VCCI-A

■ **О статическом электричестве**

Прежде чем устанавливать или снимать данное изделие, обязательно коснитесь металлических объектов, чтобы снять статическое электричество с тела.

Технические характеристики

Питание*1,*2:	Пост.т. 12 V PoE+ (IEEE802.3at-совместимое)
Потребляемая мощность*1,*2:	Пост.т. 12 V: 1,2 A / прикл. 14,2 W PoE+ Пост.т. 54 V: 260 mA / прикл. 14,0 W (устройство класса 4)
Условия эксплуатации Температура окружающей среды при эксплуатации:	-40 °C до +55 °C*3 (Диапазон включения питания: -30 °C до +55 °C)
Относительная влажность окружающего воздуха при эксплуатации:	10 % до 100 % (без конденсации)
Среда хранения Температура хранения: Влажность при хранении:	-30 °C до +60 °C 10 % до 95 % (без конденсации)
Водонепроницаемый и пыленепроницаемый*4:	IP67/IP66 (IEC 60529), Тип 4X (UL50E), соответствует NEMA 4X
Сопротивление удару:	IK10 (IEC 62262)
Аэродинамическое сопротивление:	До 40 м/с
Габаритные размеры:	133 мм (Ш) x 133 мм (В) x 383 мм (Г)
Масса:	Прибл. 2,5 kg
Отделка:	Корпус камеры: Литой под давлением алюминий/смола, i-PRO белый Наружные крепежные винты: Нержавеющая сталь (антискоррозионная обработка) Передняя панель: Смола ПК, Прозрачный Прозрачный (с покрытием ClearSight)

*1 Посетите наш веб-сайт технической информации <Контрольный №: C0106> для получения дополнительной информации о питании и потребляемой мощности.

*2 При использовании источника питания пост.т. 12 V на данном приборе, требуются разъемы EXT I/O, аудиовход и аудиовыход, кабель ввода/вывода (WV-QCA501A: опция).

*3 При использовании с постоянно горящим ИК-светодиодом верхний предел диапазона рабочих температур составляет +50 °C.

*4 Только тогда, когда монтаж выполнен верно, в соответствии с руководством по монтажу, а также должным образом выполнена гидроизоляция.

Опционные принадлежности



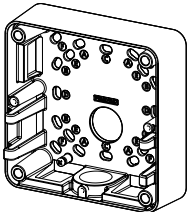
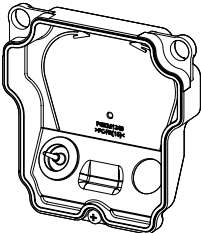
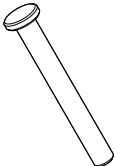
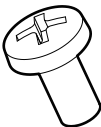
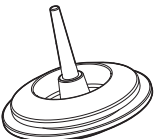
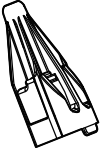

Последняя информация → Веб-сайт технической информации "Accessory Selector"
<Контрольный №: C0501>

Дефектовка

Прежде чем запрашивать обслуживание, обратитесь к разделу "Дефектовка" веб-руководства. Затем подтвердите наличие проблемы.

Стандартные аксессуары

Important Safety Instructions..... 1 шт.

			
Переходная коробка × 1		Крышка втулки × 1	
			
Установочный штифт переходной коробки × 1	Установочный винт M4×8 mm × 2 (1 из них запасной)	Втулка × 2 (1 из них запасной)	Колпачок RJ45 × 1
		Этикетка водоотталкивающего покрытия × 1 (с покрытием ClearSight)	

Другие необходимые элементы (не включены)

● Установочные винты

Способ монтажа	Рекомендуемый винт*1	Миним. прочность на выдергивание*2
Смонтируйте камеру прямо на поверхности установки.	M4 × 16 mm × 4 шт.*3, *4	724 N
Установите камеру на двухблочную монтажную коробку/ соединительную коробку.		
Установите камеру с помощью специально сконструированного монтажного кронштейна.	См. инструкции по эксплуатации каждого кронштейна.	

*1 Выберите винты, соответствующие типу места, где будет установлена камера. При этом не следует использовать деревянные винты и гвозди.

*2 Это значение обозначает минимально требуемую величину прочности на выдергивание каждого винта. Для получения информации о минимальной прочности на выдергивание см. на нашем веб-сайте технической информации <Контрольный №: C0120>.

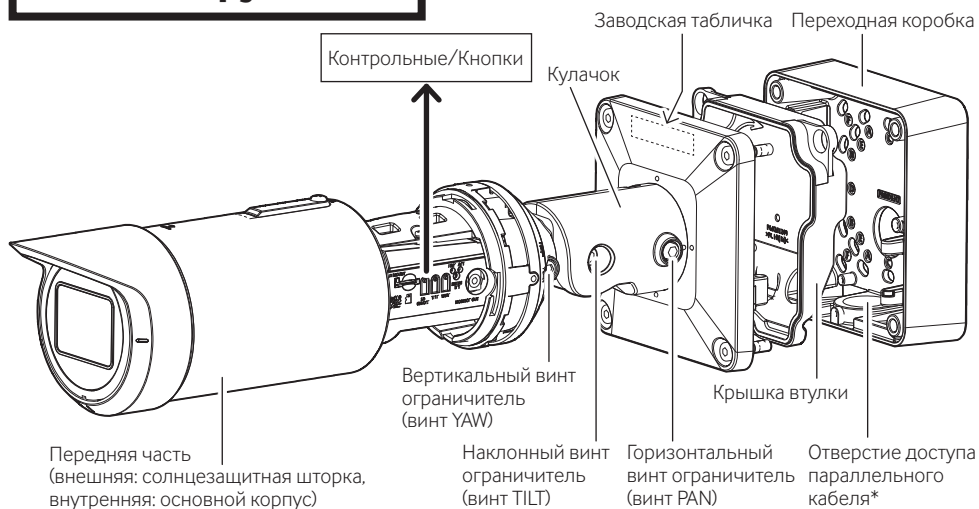
*3 Длина винта является примером при установке камеры на прочную поверхность установки толщиной 20 мм или более.

*4 Пожалуйста, рассмотрите возможность использования антикоррозионных установочных винтов или уплотнения.

- Ethernet-кабель со штекером RJ45 (категории 5е и лучше, прямой, все 4 пары (8 контактов), не более 100 м)
- В случае необходимости, кабель аудиовхода, кабель аудиовывода, кабель ввода/вывода тревоги, кабель подачи питания
- Шестигранный ключ 5 мм

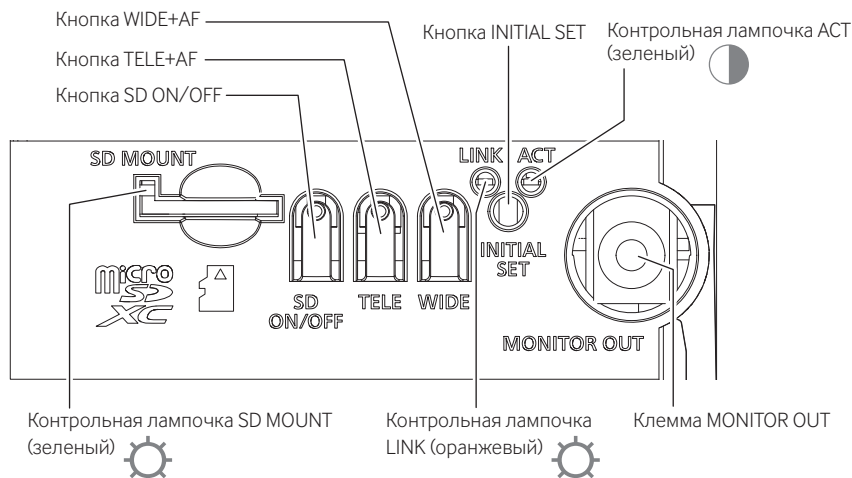
Процесс установки

Части и функции



* Деталь для подключения кабелепровода (Соответствует СТГ22 JIS C 8305 (резьба на трубе кабелепровода) или G3/4 JIS B 0202 (цилиндрической трубной резьбе))

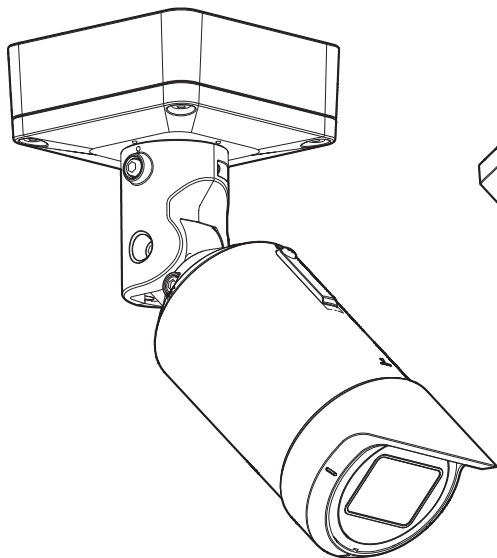
Контрольные/Кнопки



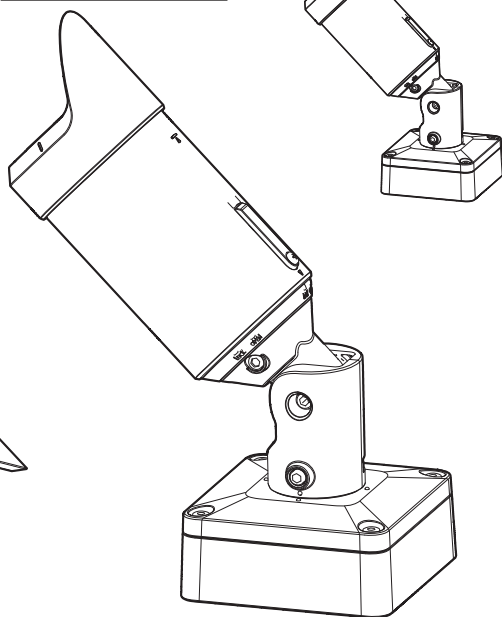
- User manual [Indicator] Все светодиоды принудительно выключаются
- User manual "Format"
- Для устройств i-PRO рекомендуется использовать карту памяти microSD.

Способ монтажа

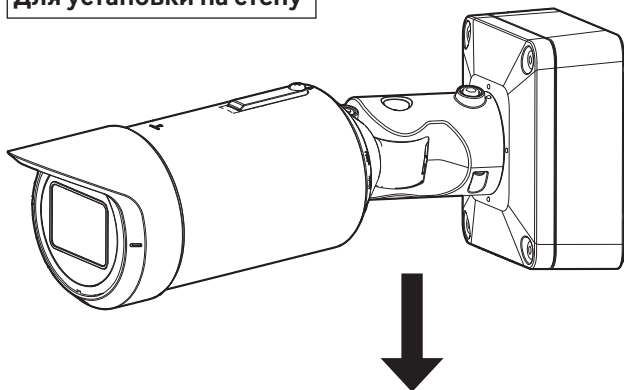
Для установки на потолок



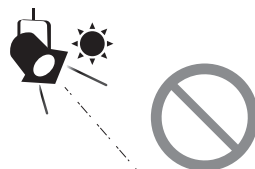
Для настольного использования



Для установки на стену



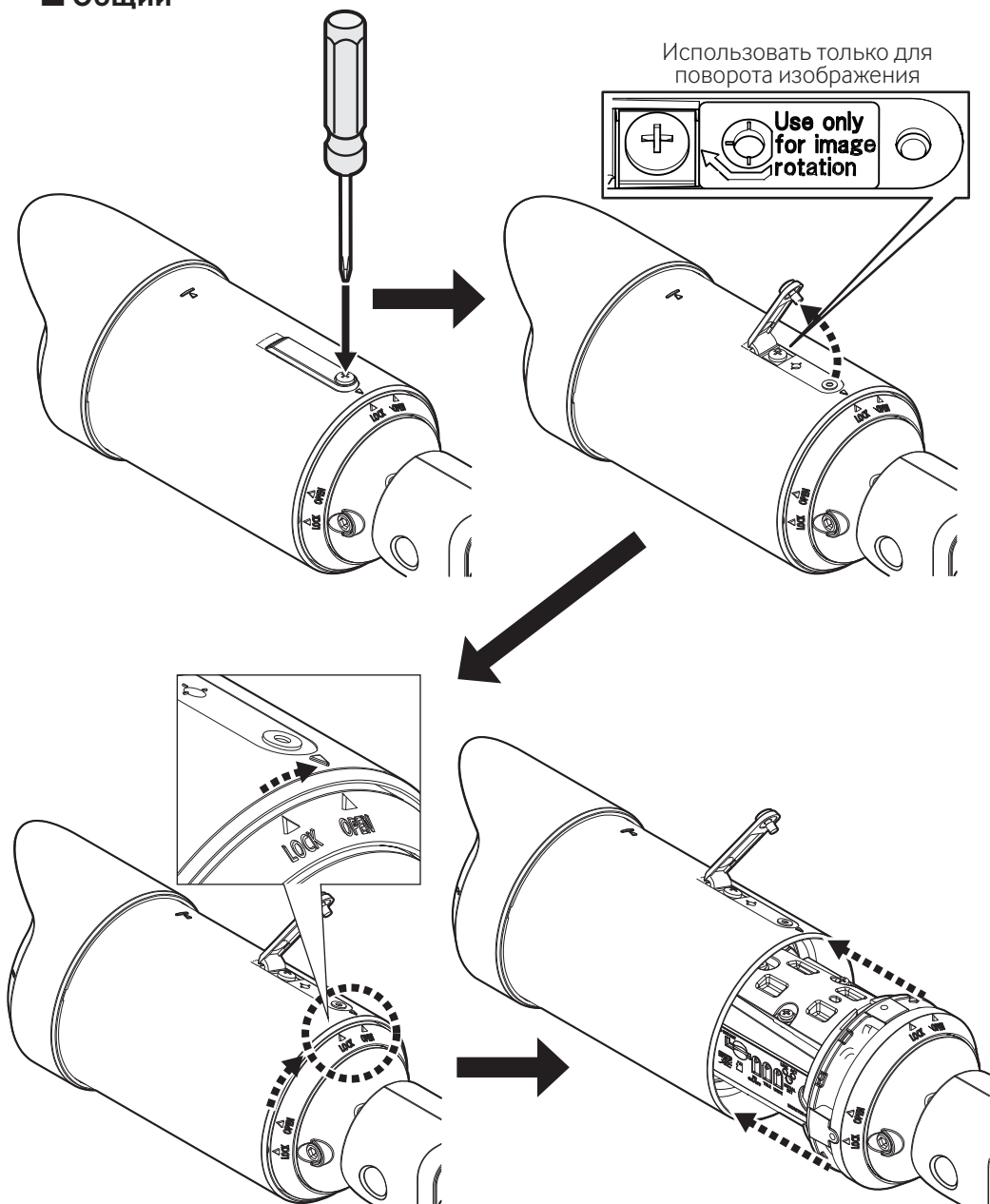
Пример пояснения к монтажу



Шаг 1

Подготовка

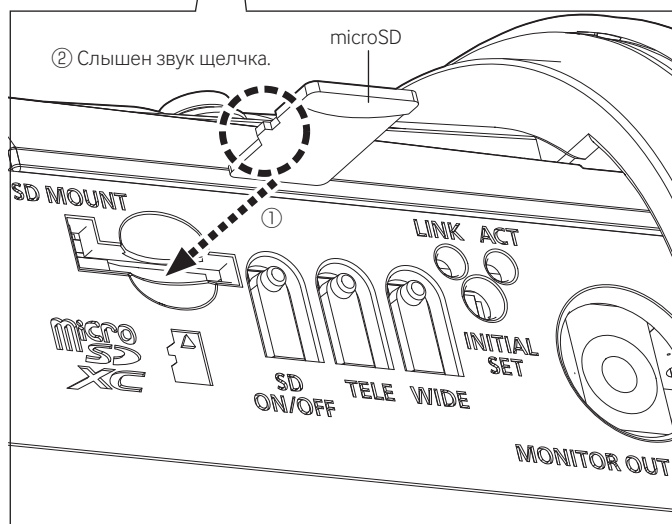
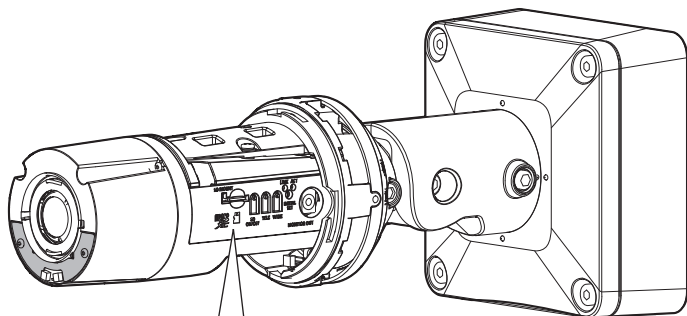
■ Общий



Шаг 1

Подготовка (продолжение)

■ При использовании карты microSD

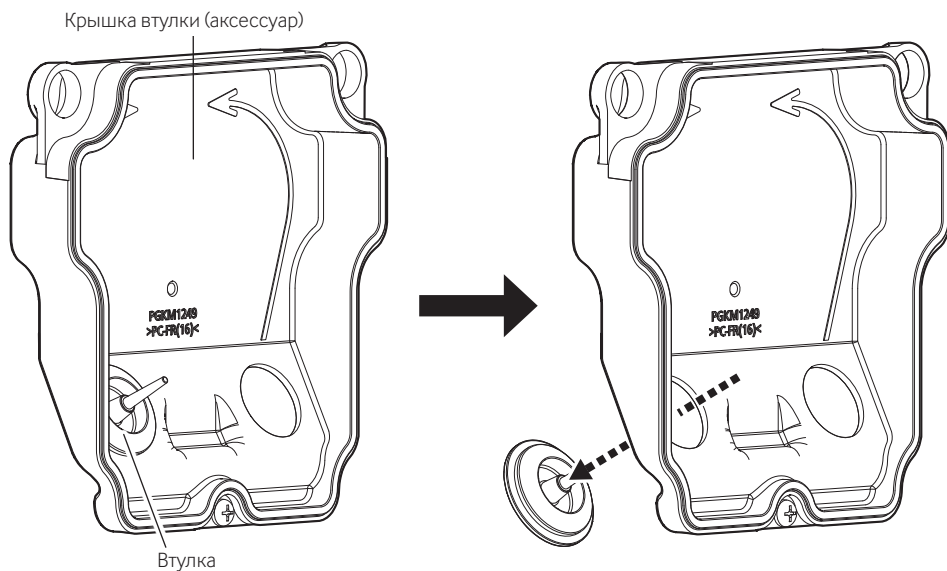


- User manual "Format"
- Для устройств i-PRO рекомендуется использовать карту памяти microSD.

Шаг 1

Подготовка (продолжение)

■ При использовании кабеля ввода-вывода (WV-QCA501A: опция)



Шаг 2

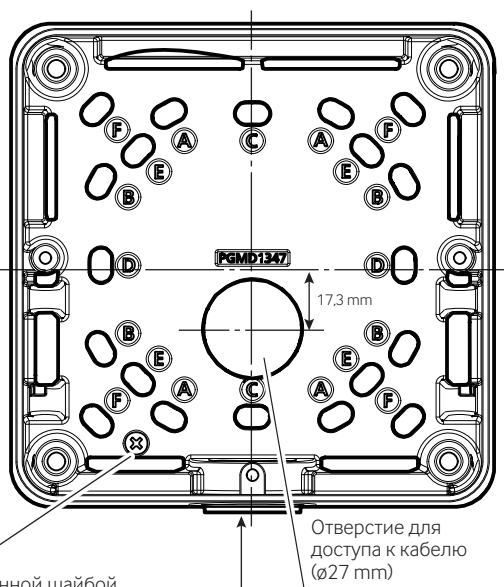
	Вертикально	Горизонтально
A	83,5 mm (82,5 mm)	46 mm (47,6 mm)
B	46 mm (47,6 mm)	83,5 mm (82,5 mm)
C	83,5 mm (83,3 mm)	–
D	–	83,5 mm (83,3 mm)
E	63 mm	63 mm
F	85,7 mm	85,7 mm



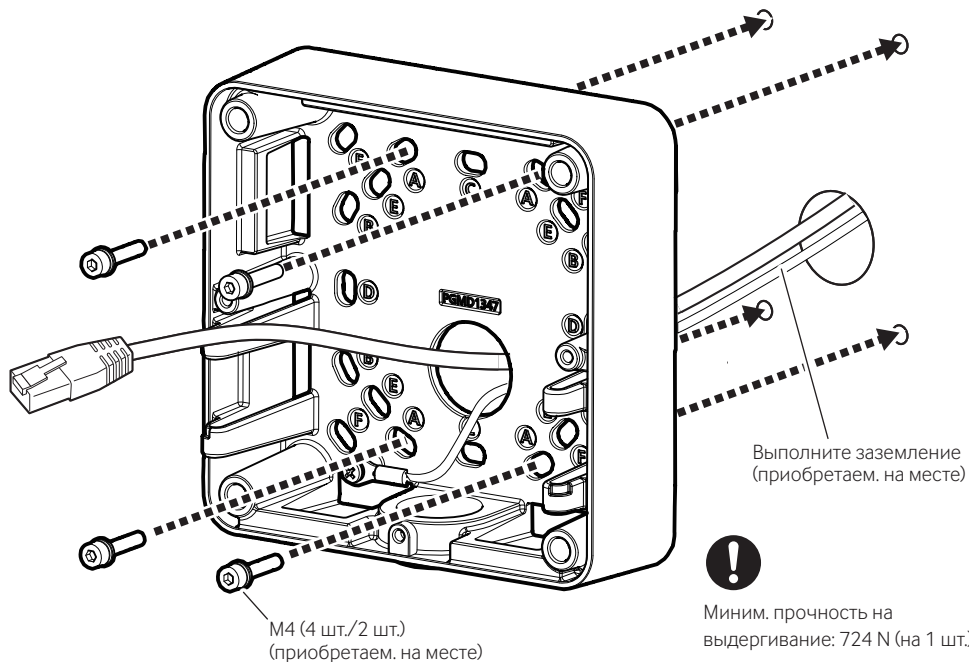
Веб-сайт технической информации
"Countermeasure for Lightning Surge"
<Контрольный №: C0121>



M3×8 mm
Винт с пружинной шайбой
Рекомендуемый крутящий момент
при затяжке винтов: 0,69 N·m



Отверстие для доступа к кабелю (ø27 mm)



M4 (4 шт./2 шт.)
(приобретаем. на месте)

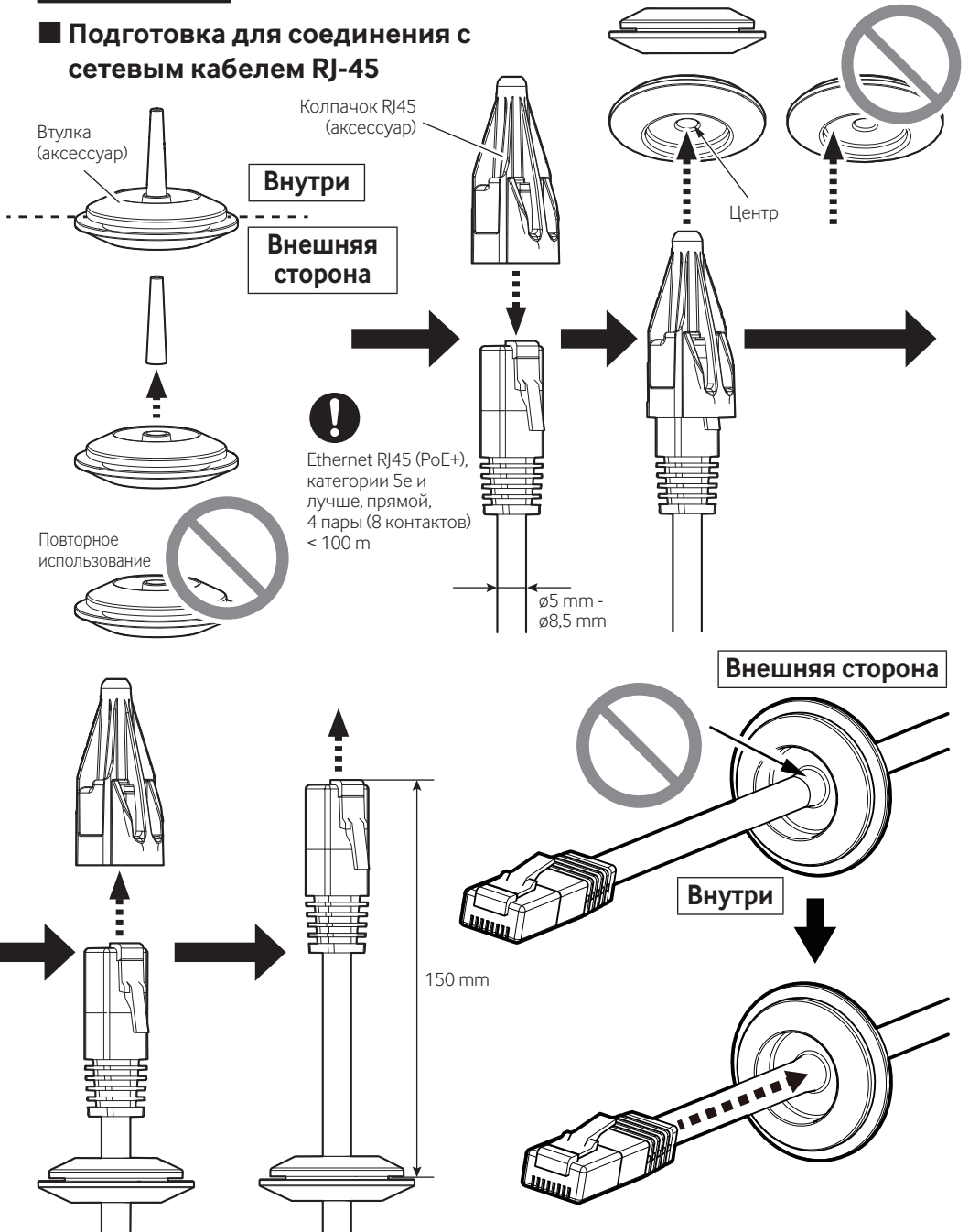
Выполните заземление
(приобретаем. на месте)



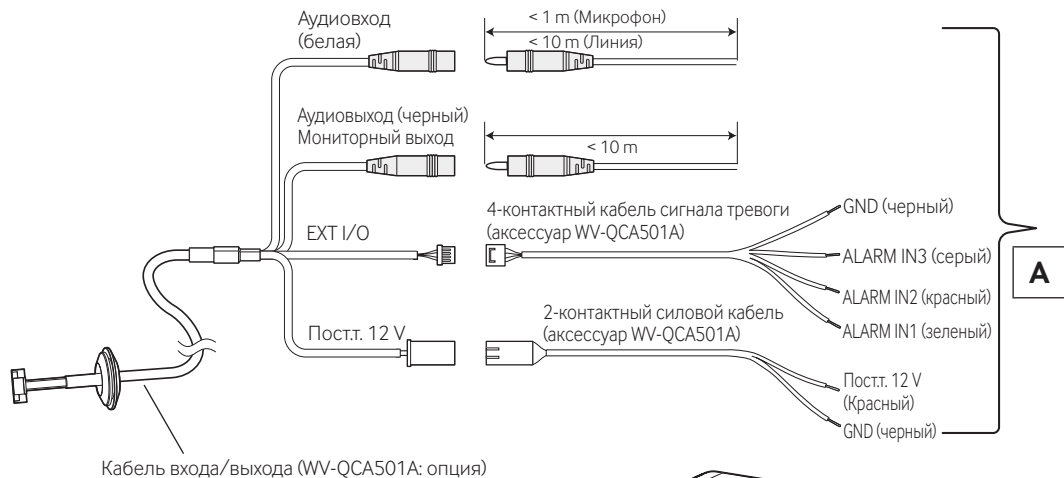
Миним. прочность на выдергивание: 724 N (на 1 шт.)

Шаг 3

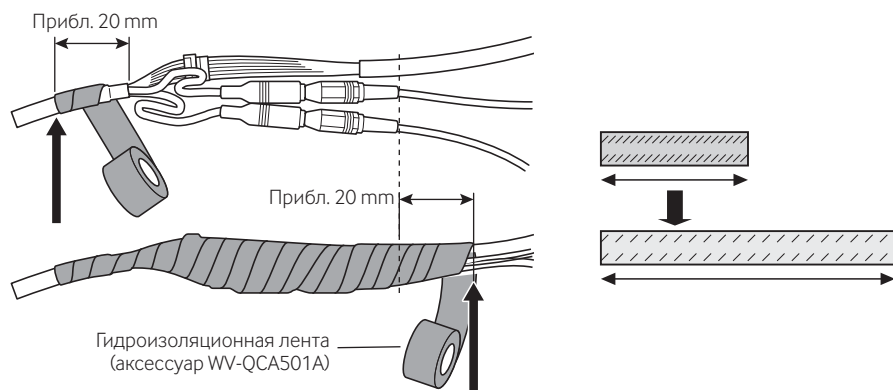
■ Подготовка для соединения с сетевым кабелем RJ-45



■ При использовании кабеля ввода-вывода (WV-QCA501A: опция)



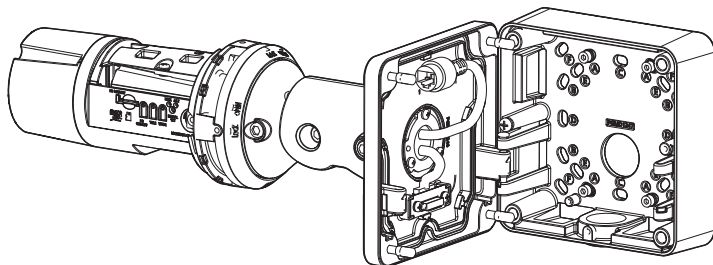
- Натяните гидроизоляционную пленку примерно вдвое по сравнению с ее длиной.
- Чтобы укоротить часть намотки ленты, намотайте ее, сохраняя провисание аудиокабеля.



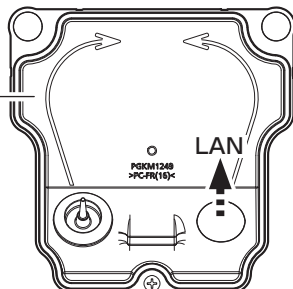
Шаг 4

Следующие иллюстрации являются примерами для подключения сетевого кабеля RJ-45.

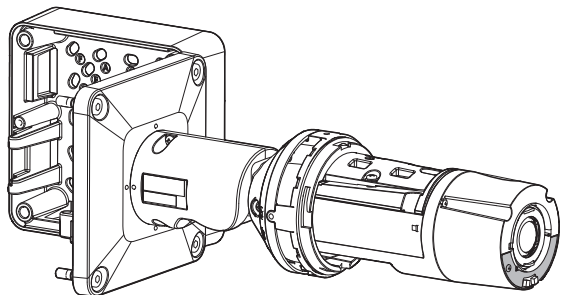
Открывание влево



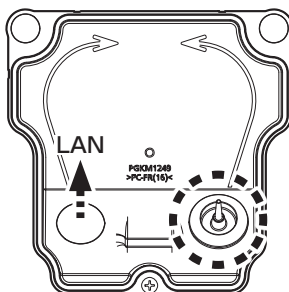
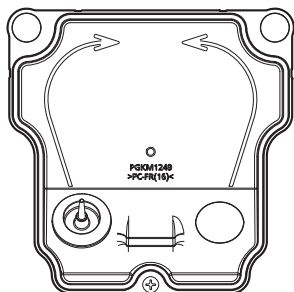
Крышка втулки
(На момент отгрузки с завода в левое отверстие установлена втулка.)



Открывание вправо

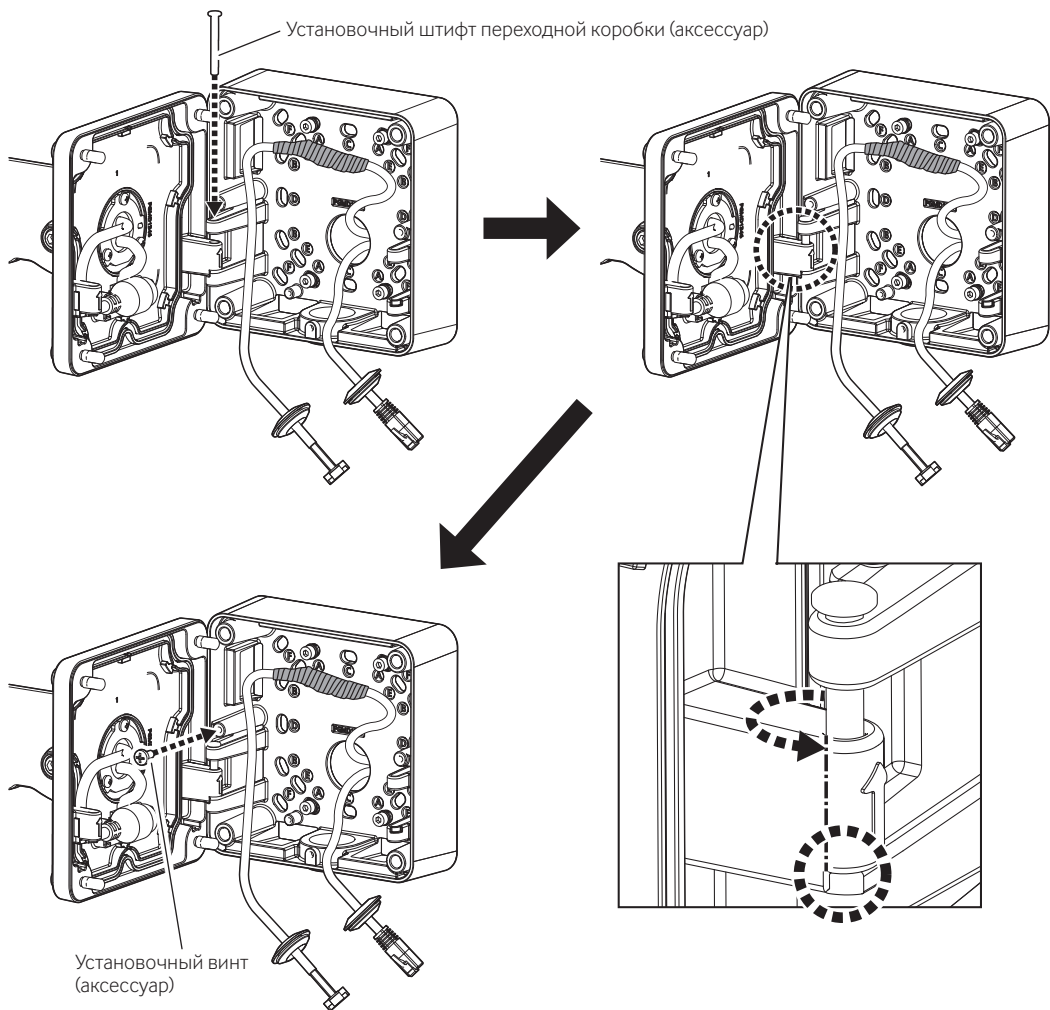


- При монтаже с помощью правого отверстия переместите втулку из левого отверстия в правое.



Шаг 5

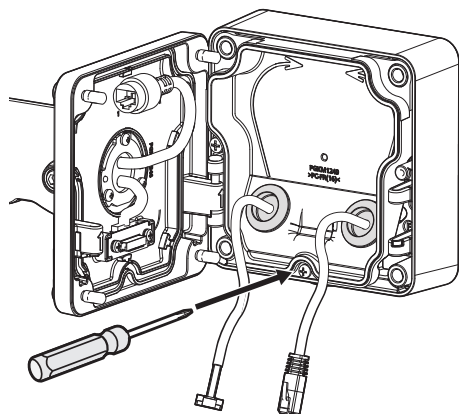
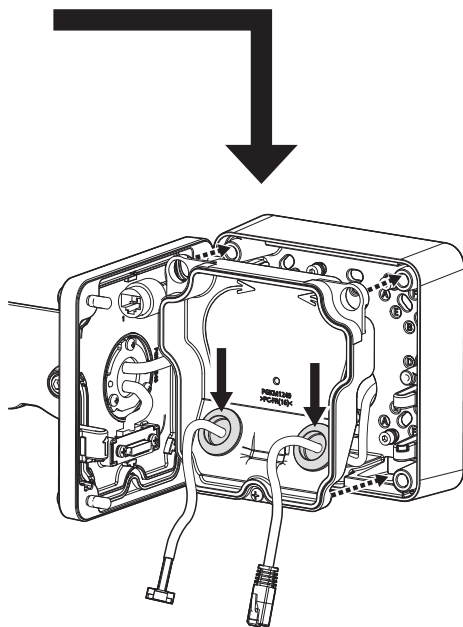
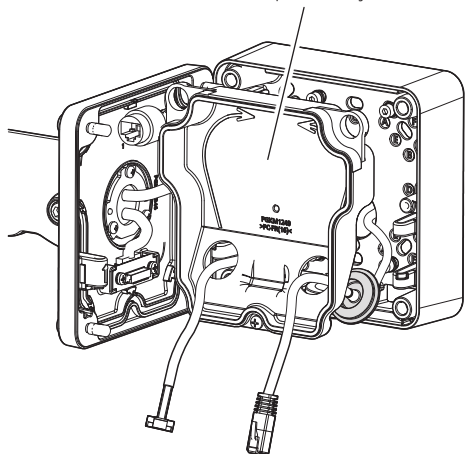
На следующих рисунках показаны примеры монтажа для отверстия открывания влево.



Рекомендуемый крутящий момент
при затяжке винтов: 0,69 N·m

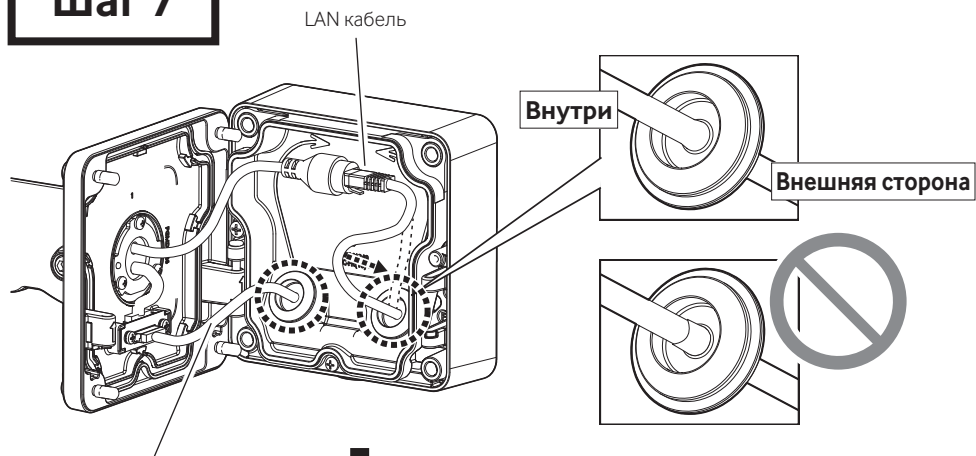
Шаг 6

Крышка втулки (аксессуар)

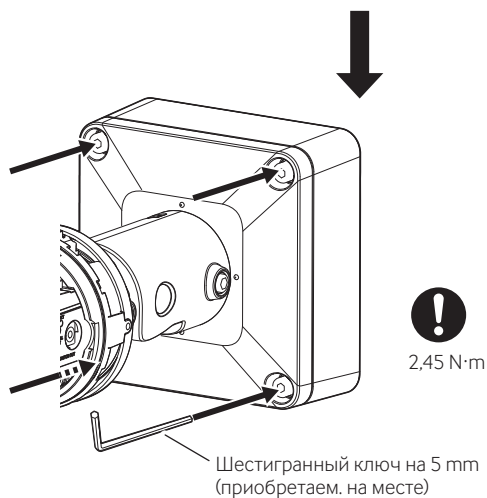
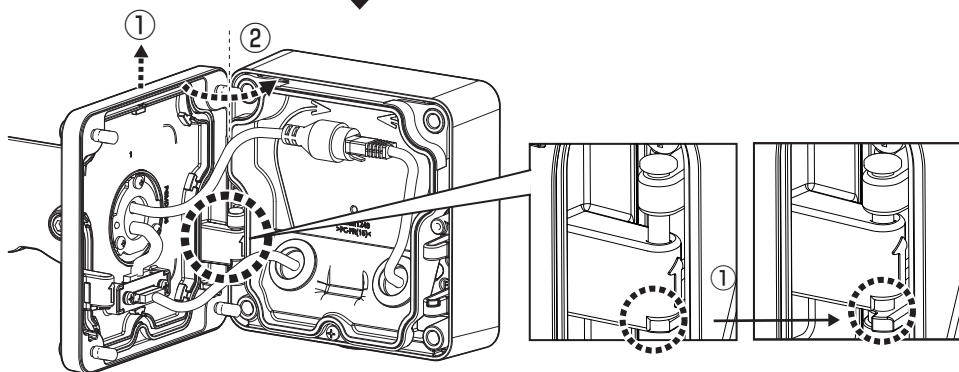


0,69 N·m

Шаг 7



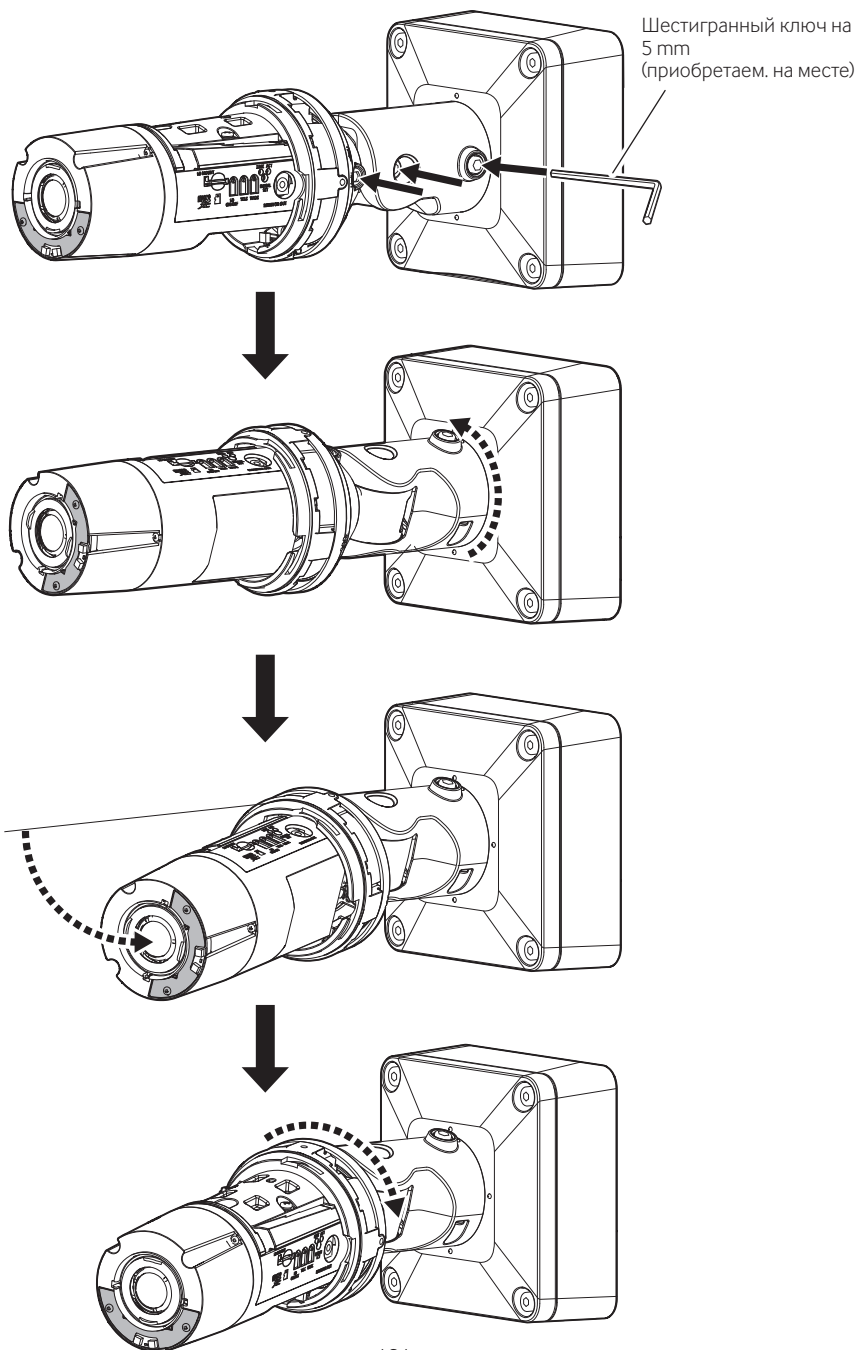
Кабель входа/выхода
(WV-QCA501A: опция)



Шаг 8

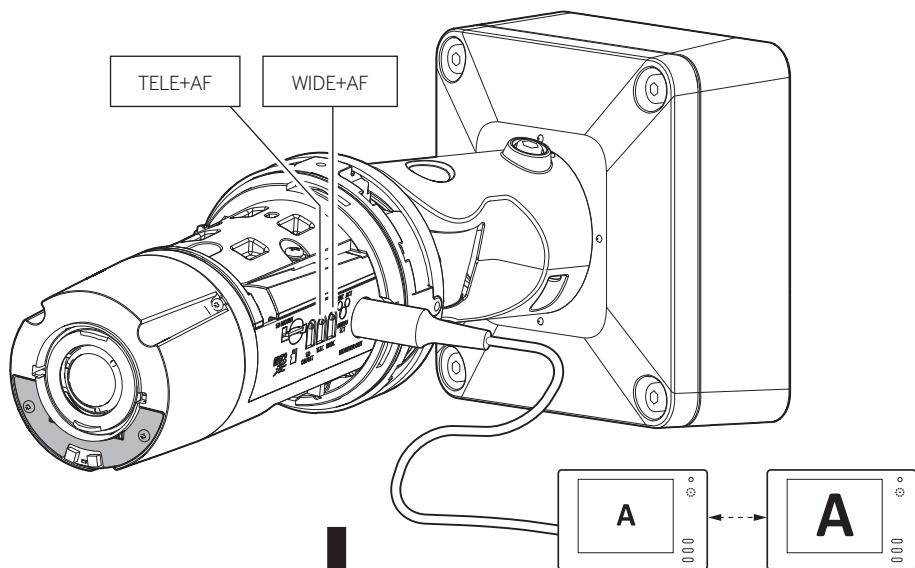
* Перед настройкой требуется грубая регулировка направления камеры.

Ниже приведен пример, в котором камера повернута вправо.



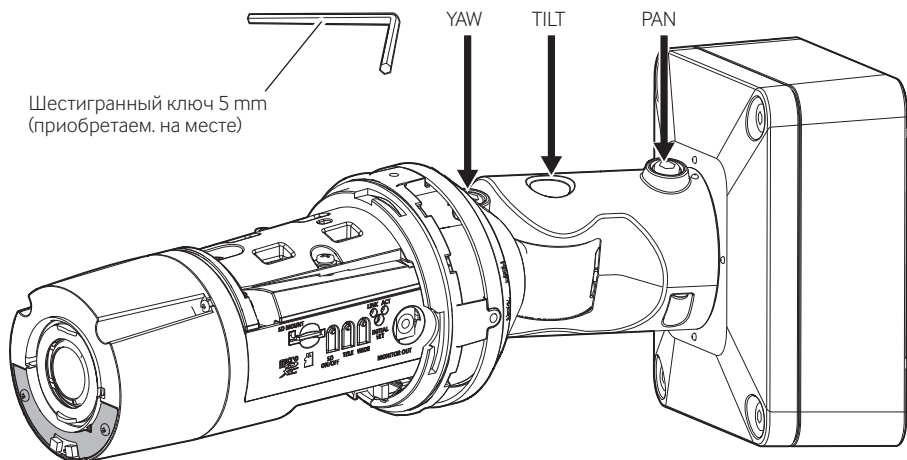
Шаг 9

→ Включить Питание (Пост.т. 12 V/РoE+)



Повторная регулировка, Шаг 8

Шестигранный ключ 5 мм
(приобретаем. на месте)

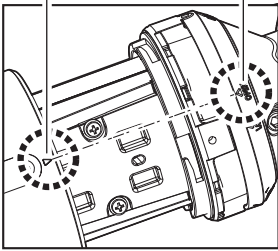


Горизонтальный винт ограничитель (винт PAN): 2,7 N·m
Наклонный винт ограничитель (винт TILT): 4,3 N·m
Вертикальный винт ограничитель (винт YAW): 2,7 N·m

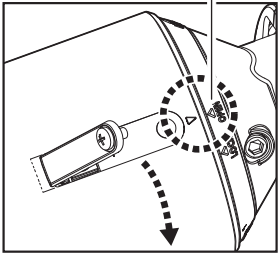
Шаг 10

Метка "△"

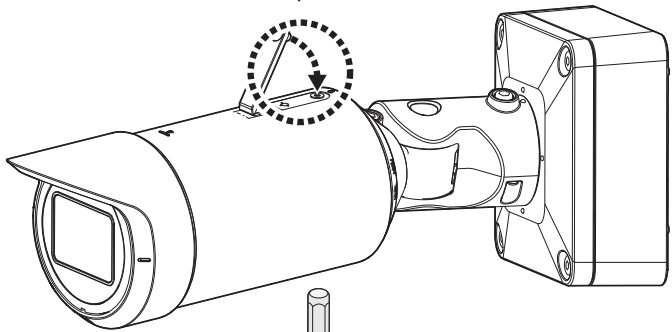
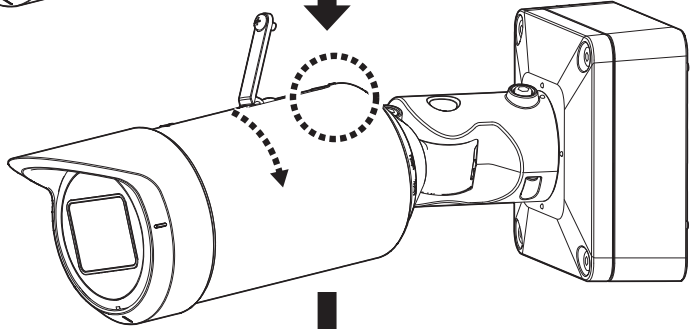
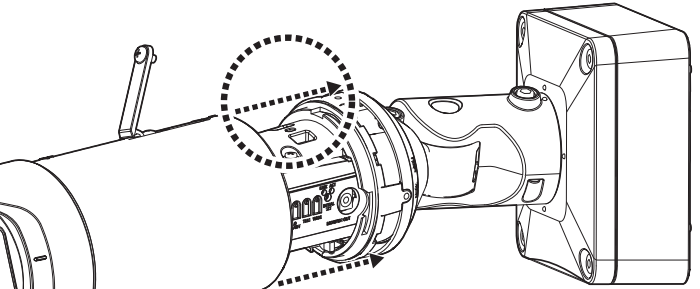
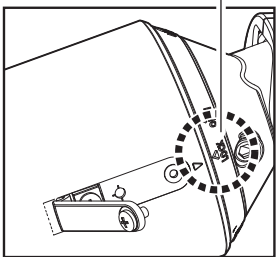
OPEN



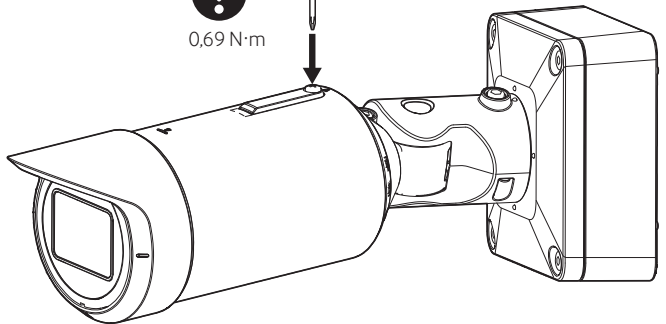
OPEN



LOCK



0,69 N·m



Шаг 11



Веб-сайт технической информации
"IP Setting Software"
<Контрольный №: C0123>
и
"i-PRO Configuration Tool(iCT)"
<Контрольный №: C0133>

"Extra optical zoom"
<Контрольный №: C0124>

"How to take a wide depth of field"
<Контрольный №: C0127>

■ При использовании "Поверот изображения" → Поверните солнцезащитную шторку.



Веб-сайт технической информации
"Installation method for rotating the sunshade"
<Контрольный №: C0131>

