

# WV-S2136

2MP (1080p) Indoor Dome Network Camera with AI engine

## The new Standard by i-PRO video surveillance

The WV-S2136 comes with pre-installed AI analytics applications that detects people and vehicles with accuracy, allowing you to easily start state-of-the-art video surveillance.



- 2MP (1080p) up to 60fps
- Intelligent Auto (with AI Engine)
- Super Dynamic 144dB
- Color night vision (0.007 to 0.009 lx)
- Smart Coding (with AI Engine)
- NDAA Compliant



# SPECIFICATIONS

Camera	
Image Sensor	Approx. 1/2.8 type CMOS image sensor
Minimum Illumination	Color : 0.007 lx (30IRE, F1.3, 1/30s) Color : 0.009 lx (50IRE, F1.3, 1/30s) BW : 0.006 lx (50IRE, F1.3, 1/30s)
White Balance	ATW1 / ATW2 / AWC
Shutter Speed	[60 fps Mode] 1/60 Fix to 1/10000 Fix, [30fps/15fps*2 mode] 1/30 Fix to 1/10000 Fix [50 fps Mode] 1/50 Fix to 1/10000 Fix, [25fps/12.5fps*2 mode] 1/25 Fix to 1/10000 Fix
i-PRO Intelligent Auto	On / Off
i-PRO Super Dynamic*3	On / Off, The level can be set in the range of 0 to 31.
Dynamic Range	Max.144 dB (Super Dynamic : On, Level 31)
Adaptive Black Stretch	The level can be set in the range of 0 to 255.
Back light compensation / High light compensation	BLC (Back light compensation) / HLC (High light compensation) / Off (only when Super dynamic / Intelligent Auto : Off)
Fog Compensation	On / Off (only when Intelligent auto / auto contrast adjust : Off)
Maximum Gain (AGC)	The level can be set in the range of 0 to 11.
Color/BW (ICR)	Off / On / Auto1 (Normal) / Auto2 (IR Light) / Auto3 (SCC)
Digital Noise Reduction (DNR)	The level can be set in the range of 0 to 255.
Video Motion Detection (VMD)	On / Off, 4 areas available
Scene Change Detection	On / Off, 1 areas available
Audio Detection	On / Off
AI Sound classification	Gunshot, Yell, Vehicle horn, Glass break
AI Analytics	Yes
Privacy Zone	On / Off, Up to 8 zones available
VIQS	On / Off, Up to 8 zones available
Image rotation	0 ° / 90 ° / 180 ° / 270 °
Camera Title (OSD)	On / Off, Up to 40 characters (alphanumeric characters, marks)
Focus Adjustment	Auto focus / Manual
Lens	
Optical Zoom	3.1 x (Motorized zoom / Motorized Focus)
Extra zoom	3.1x - 9.3x (when resolution is 640 x 360)
Focal Length	2.9 - 9 mm {1/8 inches - 13/32 inches}
Angular Field of View	Horizontal : 36° (TELE) - 115° (WIDE) / Vertical : 20° (TELE) - 61° (WIDE)
Maximum Aperture Ratio	1 : 1.3 (WIDE) - 1 : 2.5 (TELE)
Focusing Range	0.3 m {11-13/16 inches} - ∞

DORI	
Detect (25ppm / 8ppt)	Wide: 24.5 m / 80.3 ft, Tele: 118.2 m / 387.7 ft
Observe (62.5ppm / 19ppt)	Wide: 9.8 m / 32.1 ft, Tele: 47.3 m / 155.1 ft
Recognize (125ppm / 38ppt)	Wide: 4.9 m / 16.1 ft, Tele: 23.6 m / 77.5 ft
Identify (250ppm / 76ppt)	Wide: 2.4 m / 8.0 ft, Tele: 11.8 m / 38.8 ft

Adjusting Angle	
Adjusting Angle	Horizontal : -240 to +120°, Vertical : -30 to +85°, Yaw : ±100°

Browser GUI	
Camera Control	Brightness, AUX On / Off
Audio	Mic (Line) Input : On / Off Volume adjustment : Low / Middle / High Audio Output : On / Off Volume adjustment : Low / Middle / High
GUI / Setup Menu Language	English, Italian, French, German, Spanish, Portuguese, Russian, Chinese, Japanese

Network	
Network IF	10Base-T / 100Base-TX, RJ45 connector
Resolution H.265/ H.264/ JPEG (MJPEG)	[16:9 mode (60 fps mode)] , [16:9 mode (30 fps mode)], [16:9 mode (50 fps mode)] , [16:9 mode (25 fps mode)] : 1920x1080, 1280x720, 640x360, 320x180 [4:3 mode (30 fps mode)], [4:3 mode (25 fps mode)] : 1280x960, VGA, QVGA [4:3 mode (15 fps mode)], [4:3 mode (12.5 fps mode)] : 2048x1536*3, 1280x960, VGA, QVGA
JPEG - Image Quality	10 steps
i-PRO Smart Coding	GOP (Group of pictures control): Off/ Low (Variable GOP 1s-8s) / Mid (Variable GOP 4s-16s) / Advanced(Fixed GOP 60s w/1s key-frame) / Frame rate control (Variable GOP 4s-16s with frame rate control) *Advanced and Frame rate control are only available with H.265. Smart VIQS: On(High)/On(Low)/Off, Smart P-picture control: On/Off
Audio Compression	G.726 (ADPCM) : 16 kbps / 32 kbps , G.711 : 64 kbps , AAC-LC : 64 kbps / 96 kbps / 128 kbps
Audio Transmission Mode	Off / Mic (Line) input / Audio output / Interactive (Half duplex) / Interactive (Full duplex)
Supported Protocol	IPv6: TCP/IP, UDP/IP, HTTP, HTTPS, SSL/TLS, SMTP, DNS, NTP, SNMPv1/v2/v3, DHCPv6, RTP, MLD, ICMP, ARP, IEEE 802.1X, DiffServ, LLDP, SFTP, MQTT IPv4: TCP/IP, UDP/IP, HTTP, HTTPS, SSL/TLS, RTSP, RTP, RTP/RTCP, SMTP, DHCP, DNS, DDNS, NTP, SNMPv1/v2/v3, UPnP, IGMP, ICMP, ARP, IEEE 802.1X, DiffServ, SRTP, LLDP, SFTP, MQTT
No. of Simultaneous Users	Up to 14 users (Depends on network conditions)
Secure	Device Certificate GlobalSign® pre-installed, User authentication, Host authentication, HTTPS, 802.1X Support, Data encryption
SDXC/SDHC/SD Memory Card (Option)	H.265 / H.264 recording : Manual REC / Alarm REC (Pre/Post) / Schedule REC / Backup upon network failure JPEG recording : Manual REC / Alarm REC (Pre/Post) / Backup upon network failure Available SDXC/SDHC/SD Memory Card : microSDXC memory card: 64 GB, 128 GB, 256 GB, 512 GB microSDHC memory card: 4 GB, 8 GB, 16 GB, 32 GB microSD memory card: 2 GB
Mobile Terminal Compatibility	iPad, iPhone, Android™ terminals
ONVIF Profile	G / M / S / T

Alarm	
Alarm Source	3 terminals input, VMD alarm, Command alarm, Audio detection alarm
Alarm Actions	SDXC/SDHC/SD memory recording, E-mail notification, HTTP alarm notification Indication on browser, TCP alarm notification output

Input/Output	
Monitor Output (for Adjustment)	VBS : 1.0 V [p-p] / 75 $\Omega$ , composite, Pin jack / An NTSC or PAL signal can be outputted from camera
Audio Input	$\varnothing$ 3.5 mm stereo mini jack
Audio Output	$\varnothing$ 3.5 mm stereo mini jack (monaural output) Output impedance : Approx. 600 $\Omega$ (unbalanced) / Output level : -20 dBV
External I/O Terminals (Cable)	ALARM IN 1 (Black & white input, Auto time adjustment input) (x1), ALARM IN 2 (ALARM OUT) (x1), ALARM IN 3 (AUX OUT) (x1)

General	
Safety	UL (UL62368-1), c-UL (CSA C22.2 No.62368-1), CE, IEC62368-1
EMC	FCC (Part15 ClassA), ICES-003 ClassA, EN55032 ClassB, EN55035
Power Source and Power Consumption	DC power supply : DC12 V 410 mA, Approx. 4.9 W PoE (IEEE802.3af compliant) Device : DC48 V 110 mA, Approx. 5.3 W (Class 2 device)
Ambient Operating Temperature (AV-HS450C1N/E)	-10 $^{\circ}$ C to +50 $^{\circ}$ C (14 $^{\circ}$ F to 122 $^{\circ}$ F)
Ambient Operating Humidity	10 to 90 % (no condensation)
Dimensions	$\varnothing$ 129.5 mm x 101 mm (H) { $\varnothing$ 5-3/32 inches x 3-31/32 inches (H)} Dome radius 40 mm {1-9/16 inches}
Mass (Approx.)	Approx. 470 g {1.04 lbs.}
Finish	Main body : ABS resin, i-PRO white / Dome section : Acrylic resin, Clear

## OPTIONAL ACCESSORIES

Select a compatible accessory

[Accessory Selector \(i-pro.com\)](http://i-pro.com)



WV-QWL501-W  
Mount Bracket



WV-QWL500-W  
Mount Bracket



WV-QSR501-W  
Mount Bracket



WV-QSR100-W  
Sun Shade



WV-QPL500-W  
Mount Bracket



WV-QJB500-W  
Mount Bracket



WV-QEM100-W  
Mount Bracket



WV-QCN500-W  
Mount Bracket



WV-QCL501-W  
Mount Bracket



WV-QCL101-W  
Mount Bracket



WV-QCL100-W  
Mount Bracket



WV-QAT501-W  
Attachment Pipe  
Bracket



WV-QAT500-W  
Attachment pipe



WV-Q105A  
Mount Bracket



PAPM4W  
Pole Mount Bracket



PACA4W  
Corner Mount Adapter  
Bracket

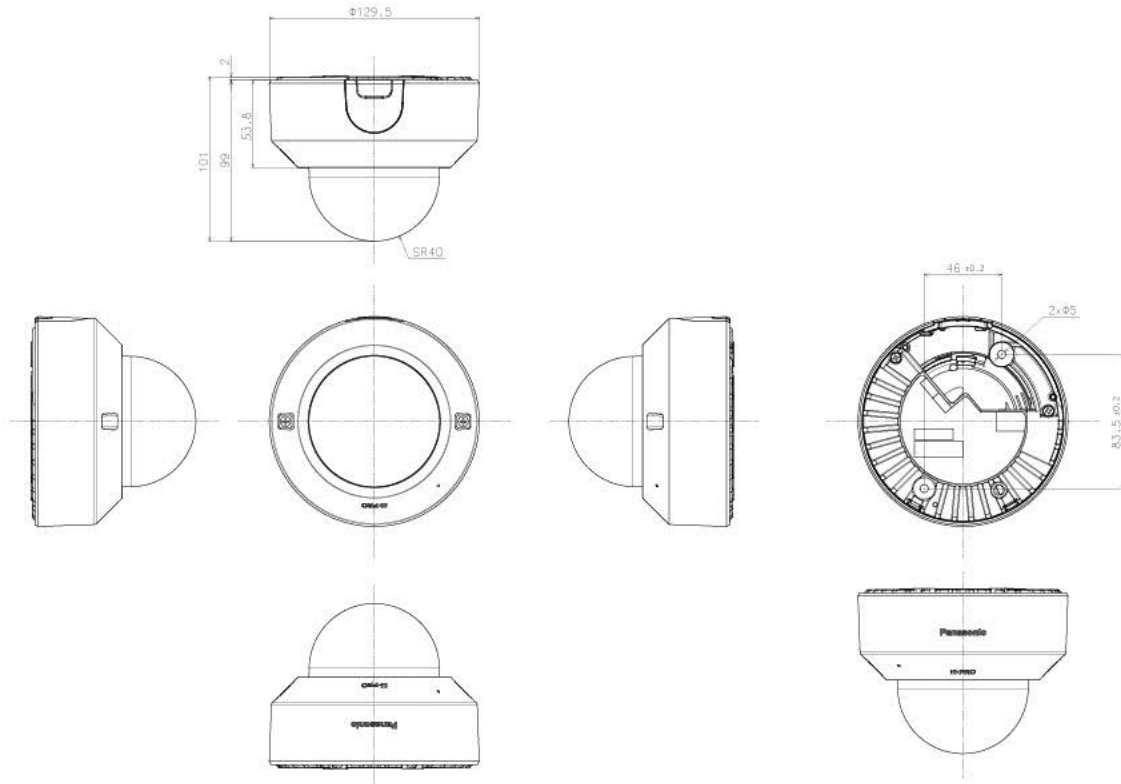


WV-CF5SA  
Dome Cover



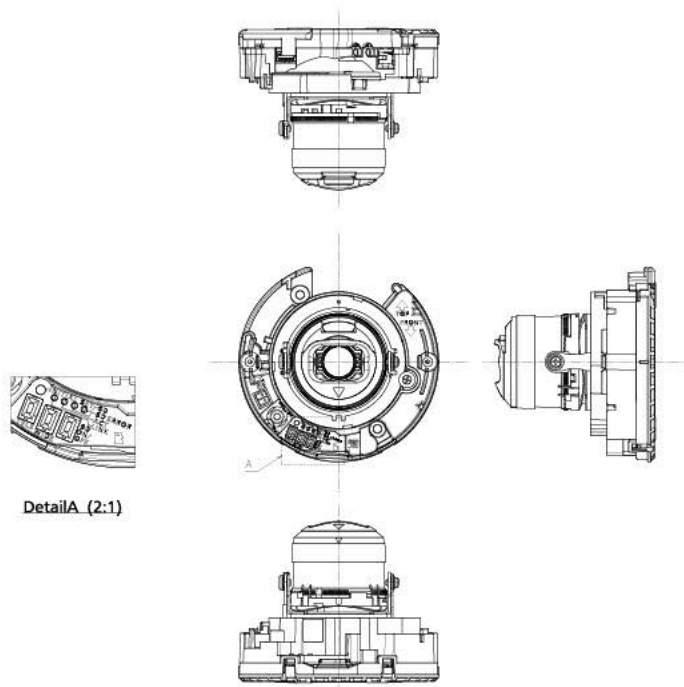
WV-PM500  
Compact microphone  
unit for surveillance  
cameras

# APPEARANCE



Weight : Approx. 470 g (1.04 lbs.)

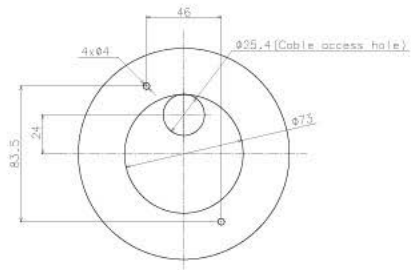
WV-S2136



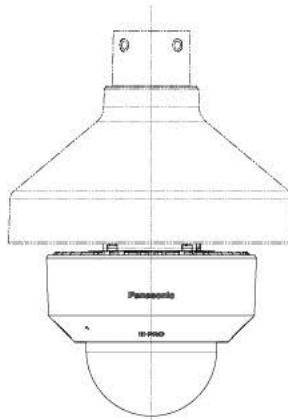
Detail A (2:1)

Without Enclosure

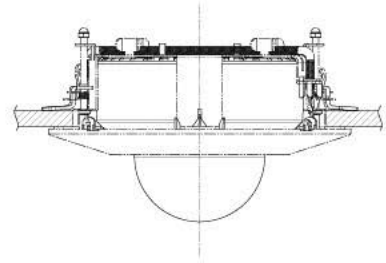
WV-S2136



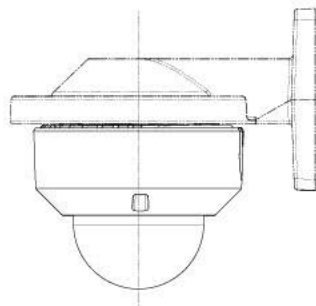
**Template for mounting**



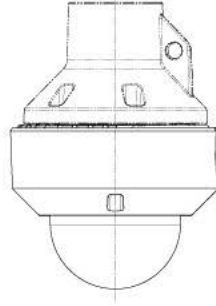
**Attach to WV-QSR501-W**



**Attach to WV-QEM100-W**



**Attach to WV-QWL500-W**



**Attach to WV-QCL100-W**

WV-S2136