

# WV-S2136A

2MP (1080p) Indoor Dome Network Camera with AI engine

## S-series 2MP Network camera with AI engine



- 2MP Indoor dome camera
- Up to 2 Edge AI analytic apps
- Built-in FIPS 140-2 Level 3 Certified SecureElement (EdgeLock® SE050F NXP® Semiconductors)
- NDAA Compliant



# SPECIFICATIONS

| Camera  |   |
|---|---|
| Image Sensor                                      | Approx. 1/2.8 type CMOS image sensor  |
| Scanning Area                                     | 5.57 mm (H) × 3.13 mm (V)<br>{7/32 inches (H) × 1/8 inches (V)}   |
| Minimum Illumination                              | Color : 0.007 lx (30IRE, F1.3, 1/30s)<br>Color : 0.009 lx (50IRE, F1.3, 1/30s)<br>BW : 0.006 lx (50IRE, F1.3, 1/30s)  |
| White Balance                                     | ATW1 / ATW2 / AWC   |
| Shutter Speed                                     | [60 fps Mode] 1/60 Fix to 1/10000 Fix, [30fps/15fps*2 mode] 1/30 Fix to 1/10000 Fix<br>[50 fps Mode] 1/50 Fix to 1/10000 Fix, [25fps/12.5fps*2 mode] 1/25 Fix to 1/10000 Fix  |
| i-PRO Intelligent Auto                            | On / Off  |
| i-PRO Super Dynamic*3                             | On / Off,<br>The level can be set in the range of 0 to 31.  |
| Dynamic Range                                     | Max.144 dB (Super Dynamic : On, Level 31)   |
| Adaptive Black Stretch                            | The level can be set in the range of 0 to 255.  |
| Back light compensation / High light compensation | BLC (Back light compensation) / HLC (High light compensation) /<br>Off (only when Super dynamic / Intelligent Auto : Off)   |
| Fog Compensation                                  | On / Off<br>(only when Intelligent auto / auto contrast adjust : Off)   |
| Maximum Gain (AGC)                                | The level can be set in the range of 0 to 11.   |
| Color/BW (ICR)                                    | Off / On / Auto1 (Normal) / Auto2 (IR Light) / Auto3 (SCC)  |
| Digital Noise Reduction (DNR)                     | The level can be set in the range of 0 to 255.  |
| Video Motion Detection (VMD)                      | On / Off, 4 areas available   |
| Scene Change Detection                            | On / Off, 1 areas available   |
| Audio Detection                                   | On / Off  |
| AI Sound classification                           | Gunshot, Yell, Vehicle horn, Glass break  |
| AI Analytics                                      | AI Video Motion Detection, AI Privacy Guard, AI Face Detection, AI People Detection,<br>AI Vehicle Detection, AI Non mask Detection, AI Occupancy Detection, AI Scene Change Detection<br><br>For details :<br><a href="https://i-pro.com/products_and_solutions/en/surveillance/products/analytics-software">https://i-pro.com/products_and_solutions/en/surveillance/products/analytics-software</a><br>3rd party applications are also available.<br><a href="https://i-pro.com/products_and_solutions/en/surveillance/solutions/edge-ai-platform/application-list">https://i-pro.com/products_and_solutions/en/surveillance/solutions/edge-ai-platform/application-list</a> |
| Privacy Zone                                      | On / Off,<br>Up to 8 zones available  |
| VIQS  | On / Off,<br>Up to 8 zones available  |
| Image rotation                                    | 0 ° / 90 ° / 180 ° / 270 °  |
| Camera Title (OSD)                                | On / Off, Up to 40 characters<br>(alphanumeric characters, marks)   |
| Focus Adjustment                                  | Auto focus / Manual   |

| Lens                   |  |
|------------------------|--|
| Optical Zoom           | 3.1 x (Motorized zoom / Motorized Focus)                                   |
| Extra zoom             | 3.1x - 9.3x (when resolution is 640 x 360)                                 |
| Focal Length           | 2.9 - 9 mm {1/8 inches - 13/32 inches}                                     |
| Angular Field of View  | Horizontal : 36° (TELE) – 115° (WIDE) / Vertical : 20° (TELE) – 61° (WIDE) |
| Maximum Aperture Ratio | 1 : 1.3 (WIDE) – 1 : 2.5 (TELE)  |
| Focusing Range         | 0.3 m {11-13/16 inches} – ∞  |

| DORI                       |  |
|----------------------------|--|
| Detect (25ppm / 8ppt)      | Wide: 24.5 m / 80.3 ft, Tele: 118.2 m / 387.7 ft |
| Observe (62.5ppm / 19ppt)  | Wide: 9.8 m / 32.1 ft, Tele: 47.3 m / 155.1 ft   |
| Recognize (125ppm / 38ppt) | Wide: 4.9 m / 16.1 ft, Tele: 23.6 m / 77.5 ft    |
| Identify (250ppm / 76ppt)  | Wide: 2.4 m / 8.0 ft, Tele: 11.8 m / 38.8 ft     |

| System on Chip (SoC) |                 |
|----------------------|-----------------|
| System on Chip (SoC) | Ambarella CV25M |

| Adjusting Angle |   |
|-----------------|---|
| Adjusting Angle | Horizontal : -240 to +120°, Vertical : -30 to +85°, Yaw : ±100° |

| Browser GUI               |  |
|---------------------------|--|
| Camera Control            | Brightness, AUX On / Off   |
| Audio                     | Mic (Line) Input : On / Off Volume adjustment : Low / Middle / High<br>Audio Output : On / Off Volume adjustment : Low / Middle / High |
| GUI / Setup Menu Language | English, Italian, French, German, Spanish, Portuguese, Russian, Chinese, Japanese  |

| Network                               |   |
|---------------------------------------|---|
| Network IF                            | 10Base-T / 100Base-TX, RJ45 connector   |
| Resolution H.265/ H.264/ JPEG (MJPEG) | [16:9 mode (60 fps mode)] , [16:9 mode (30 fps mode)], [16:9 mode (50 fps mode)] , [16:9 mode (25 fps mode)] : 1920x1080, 1280x720, 640x360, 320x180<br>[4:3 mode (30 fps mode)], [4:3 mode (25 fps mode)] : 1280x960, VGA, QVGA<br>[4:3 mode (15 fps mode)], [4:3 mode (12.5 fps mode)] : 2048x1536*3, 1280x960, VGA, QVGA                             |
| JPEG - Image Quality                  | 10 steps  |
| i-PRO Smart Coding                    | GOP (Group of pictures control):<br>Off/ Low (Variable GOP 1s-8s) / Mid (Variable GOP 4s-16s) /<br>Advanced(Fixed GOP 60s w/1s key-frame) /<br>Frame rate control (Variable GOP 4s-16s with frame rate control)<br>*Advanced and Frame rate control are only available with H.265.<br>Smart VIQS: On(High)/On(Low)/Off, Smart P-picture control: On/Off |
| Audio Compression                     | G.726 (ADPCM) : 16 kbps / 32 kbps , G.711 : 64 kbps , AAC-LC : 64 kbps / 96 kbps / 128 kbps   |
| Audio Transmission Mode               | Off / Mic (Line) input / Audio output /<br>Interactive (Half duplex) / Interactive (Full duplex)  |
| Supported Protocol                    | IPv6 : TCP/IP, UDP/IP, HTTP, HTTPS, SSL/TLS, SMTP, DNS, NTP, SNMPv1/v2/v3, DHCPv6, RTP, MLD, ICMP, ARP, IEEE 802.1X, DiffServ, FTP, SFTP, MQTT, LLDP<br>IPv4 : TCP/IP, UDP/IP, HTTP, HTTPS, SSL/TLS, RTSP, RTP, RTP/RTCP, SMTP, DHCP, DNS, DDNS, NTP, SNMPv1/v2/v3, UPnP, IGMP, ICMP, ARP, IEEE 802.1X, DiffServ, SRTP, FTP, SFTP, MQTT, LLDP           |
| No. of Simultaneous Users             | Up to 14 users<br>(Depends on network conditions)   |

|                                   |   |
|-----------------------------------|---|
| Secure                            | FIPS 140-2 level 3 (NXP® EdgeLock® SE050F), Device Certificate GlobalSign® pre-installed, HTTPS, User authentication, Digest authentication, Host authentication, IEEE802.1X, System log, Image transmission log, Brute-force protection, Alteration detection  |
| SDXC/SDHC/SD Memory Card (Option) | H.265 / H.264 recording : Manual REC / Alarm REC (Pre/Post) / Schedule REC / Backup upon network failure<br>JPEG recording :<br>Manual REC / Alarm REC (Pre/Post) / Backup upon network failure<br>Available SDXC/SDHC/SD Memory Card :<br>microSDXC memory card: 64 GB, 128 GB, 256 GB, 512 GB<br>microSDHC memory card: 4 GB, 8 GB, 16 GB, 32 GB<br>microSD memory card: 2 GB |
| Mobile Terminal Compatibility     | iPad, iPhone,<br>Android™ terminals   |
| ONVIF Profile                     | G / M / S / T   |

| Alarm         |   |
|---------------|---|
| Alarm Source  | 3 terminals input, VMD alarm, Command alarm, Audio detection alarm  |
| Alarm Actions | SDXC/SDHC/SD memory recording, E-mail notification,<br>HTTP alarm notification Indication on browser, TCP alarm notification output |

| Input/Output                    |  |
|---------------------------------|--|
| Monitor Output (for Adjustment) | VBS : 1.0 V [p-p] / 75 Ω, composite, Pin jack / An NTSC or PAL signal can be outputted from camera                           |
| Audio Input                     | ø3.5 mm stereo mini jack   |
| Audio Output                    | ø3.5 mm stereo mini jack (monaural output)<br>Output impedance : Approx. 600 Ω (unbalanced) / Output level : -20 dBV         |
| External I/O Terminals (Cable)  | ALARM IN 1 (Black & white input, Auto time adjustment input) (x1),<br>ALARM IN 2 (ALARM OUT) (x1), ALARM IN 3 (AUX OUT) (x1) |

| General                                       |  |
|---|--|
| Safety  | UL (UL62368-1), c-UL (CSA C22.2 No.62368-1), CE, IEC62368-1  |
| EMC   | FCC (Part15 ClassA), ICES-003 ClassA,<br>EN55032 ClassB, EN55035   |
| Power Source and Power Consumption            | DC power supply : DC12 V 410 mA, Approx. 4.9 W<br>PoE (IEEE802.3af compliant) Device : DC48 V 110 mA, Approx. 5.3 W (Class 2 device) |
| Ambient Operating Temperature (AV-HS450C1N/E) | -10 °C to +50 °C (14 °F to 122 °F)   |
| Ambient Operating Humidity                    | 10 to 90 %<br>(no condensation)  |
| Dimensions                                    | ø129.5 mm x 101 mm (H) {ø5-3/32 inches x 3-31/32 inches (H)}<br>Dome radius 40 mm {1-9/16 inches}                                    |
| Mass (Approx.)                                | Approx. 470 g {1.04 lbs.}  |
| Finish  | Main body : ABS resin, i-PRO white<br>Dome section : Acrylic resin, Clear  |

## NOTES

### Important

- Safety Precautions : Carefully read the Basic Information, Installation Guide and Operating Instructions before using this product.
- i-PRO Co., Ltd. cannot be held responsible for the performance of the network and/or other manufacturers' products used on the network.
- Masses and dimensions are approximate.
- Specifications are subject to change without notice.

### Trademarks and registered trademarks

- iPad and iPhone are trademarks of Apple Inc., registered in the U.S. and other countries. - Android is a trademark of Google LLC.

- ONVIF is a trademark of ONVIF, Inc.
- All other trademarks identified herein are the property of their respective owners

©i-PRO Co., Ltd All rights reserved / March 2023

## OPTIONAL ACCESSORIES

Select a compatible accessory

[Accessory Selector \(i-pro.com\)](http://i-pro.com)



WV-QWL501-W  
Mount Bracket



WV-QWL500-W  
Mount Bracket



WV-QSR501-W  
Mount Bracket



WV-QSR100-W  
Sun Shade



WV-QPL500-W  
Mount Bracket



WV-QJB500-W  
Mount Bracket



WV-QEM100-W  
Mount Bracket



WV-QCN500-W  
Mount Bracket



WV-QCL501-W  
Mount Bracket



WV-QCL101-W  
Mount Bracket



WV-QCL100-W  
Mount Bracket



WV-QAT501-W  
Attachment Pipe  
Bracket



WV-QAT500-W  
Attachment pipe



WV-Q105A  
Mount Bracket



PAPM4W  
Pole Mount Bracket



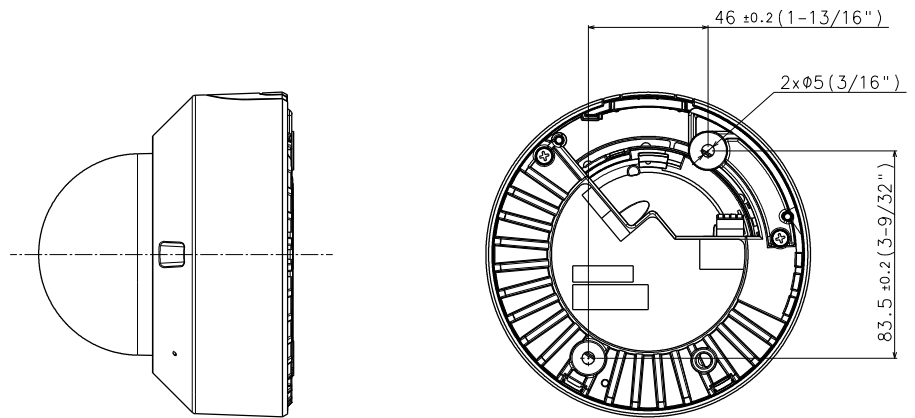
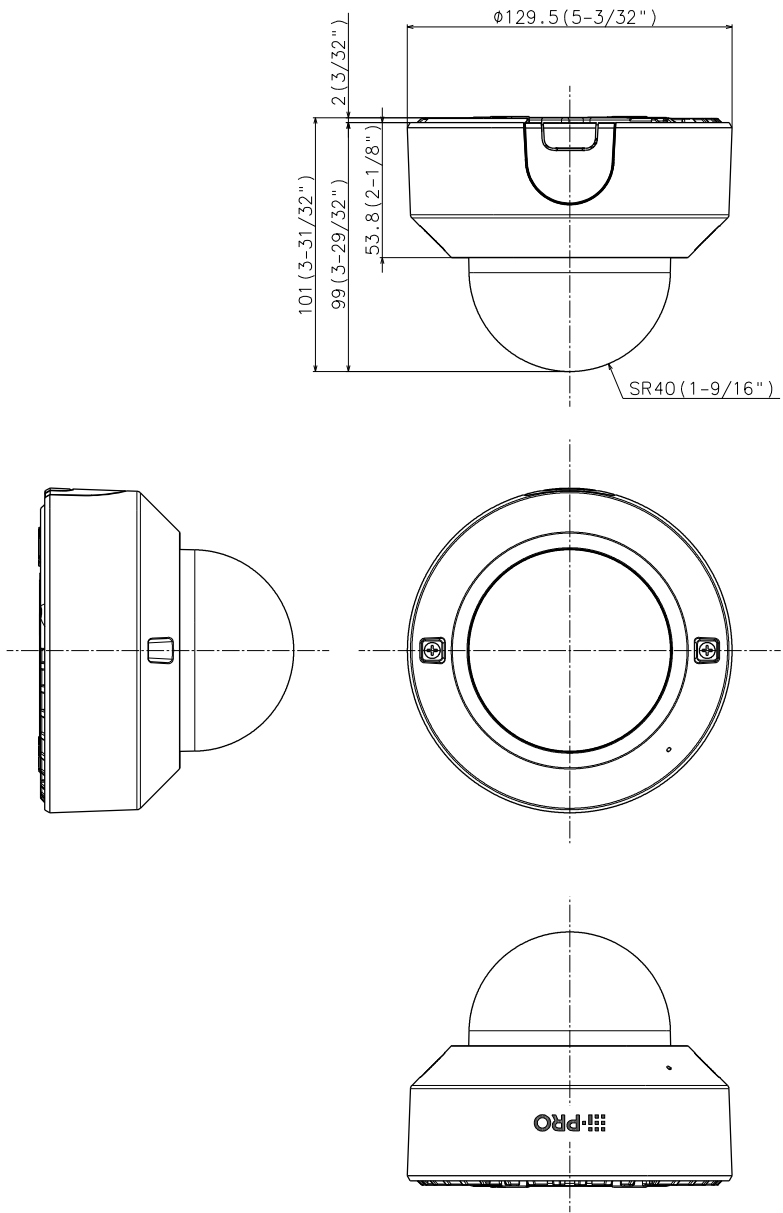
PACA4W  
Corner Mount Adapter  
Bracket



WV-CF5SA  
Dome Cover



WV-PM500  
Compact microphone  
unit for surveillance  
cameras



Mass : Approx. 470 g {1.04 lbs}