

WV-SUD638

Anti-severe weather PTZ network outdoor camera with wiper and defroster

Aero PTZ Network Camera

The AeroPTZ is an environmentally rugged camera designed to meet extreme weather conditions.



- 2MP (1080p) (1080p) 60fps, 30x zoom lens
- Built-in wiper and Auto defroster
- Wind load durability 60 m/s (135 mph) (operation), 80 m/s (180 mph) (non-destructive)
- Video SAS (Stability Augment System) for high-class image stabilization
- “Sphere vision” provides 360° 3D viewing
- Temperature -50 °C to +60 °C (-58 °F to +140 °F)
- IP67, IP66, IK10 certified
- Optional IR LED light
- Heavy salt damage resistance specifications (ISO 14993 compliant)
- Smart Coding mode for additional compression
- NDAA Compliant

Precautions for heavy salt damage resistance

SPECIFICATIONS

Camera	
Image Sensor	Approx. 1/3 type MOS image sensor
Minimum Illumination	Color : 0.06 lx (F1.6, Maximum shutter : Off(1/30 s), AGC : High) 0.004 lx (F1.6, Maximum shutter : max. 16/30 s, AGC : High)* BW : 0.02 lx (F1.6, Maximum shutter : Off(1/30 s), AGC : High) 0.001 lx (F1.6, Maximum shutter : max. 16/30 s, AGC : High)* 0 lx (F1.6, Maximum shutter : Off(1/30 s), AGC : High, when the IR LED (Optional) is lit) * Converted value
Super Dynamic	Dynamic Range 105 dB typ.
Image Settings	Gain (AGC), White balance
Image Compression	Adaptive black stretch, Back light compensation (BLC), Fog compensation, High light compensation (HLC), Digital noise reduction
Shutter Speed	[2 mega pixel [16 : 9] (60 fps mode)] Off(1/60) to 1/10000 Other than [2 mega pixel [16 : 9] (60 fps mode)] Off(1/30) to 1/10000
Day/Night (ICR)	Off / On / Auto1(Normal) / Auto2(IR Light) / Auto3(SCC)
IR LED Light (Optional)	Off / Auto (High / Mid / Low) irradiation distance : 150 m (500 feet)
Image Stabilization	On / Off *Hybrid image stabilizer
Privacy Zone	Gray / Mosaic / Off (up to 32 zones available)
Camera Title on Screen	Up to 20 characters (alphanumeric characters, marks)
Video Motion Detection (VMD)	On / Off, 4 areas available
Lens	
Zoom Ratio	30x / 45x with HD extra optical zoom (at 1280 x 720) (Motorized zoom / Auto Focus)
Digital (Electronic) Zoom	x1, x2, x4
Focal Length	4.3 mm - 129 mm {3/16 inches - 5-3/32 inches}
Maximum Ratio Aperture	1 : 1.6 (WIDE) - 1 : 4.7 (TELE)
Focus Range	2.0 m - ∞
Aperture Range	F1.6 (WIDE) - Close
Angular Field of View	[16 : 9 mode] Horizontal : 2.3° (TELE) – 64° (WIDE) Vertical : 1.3° (TELE) – 38° (WIDE) [4 : 3 mode] Horizontal : 1.8° (TELE) – 50° (WIDE) Vertical : 1.3° (TELE) – 38° (WIDE)
Pan/tilt unit	
Panning Range	360° endless
Panning Speed	Manual : approx. 0.065°/s to 100°/s Preset : up to approx. 200°/s (Except when IR LED Unit is equipped, forward tilt mount, frozen.)

Tilting Range	Upright : -45° to +90° Forward tilt : -90° to +90° Hanging : -90° to +30°
Tilting Speed	Manual : approx. 0.065°/s to 100°/s Preset : up to approx. 200°/s (Except when IR LED Unit is equipped, forward tilt mount, frozen.)
Preset Positions	256 positions
Auto Mode	Auto track / Auto pan / Preset sequence / 360 map-shot / Preset map-shot / Patrol
Self Return	10 s to 60 min
Tilt Flip	On / Off
Map Shot	360° map shot / preset map shot

Network

Network IF	10Base-T / 100Base-TX, RJ45 connector
Image Resolution	•2 mega pixel [16 : 9] (60 fps mode / 30 fps mode) H.264 : Maximum 1,920 x 1080 JPEG : Maximum 1,920 x 1080 •1.3 mega pixel [4 : 3] (30 fps mode) H.264 : Maximum 1,280 x 960 JPEG : Maximum 1,280 x 960
Image Compression Method	H.264 Transmission Mode : Constant bit rate / Variable bit rate / Frame rate priority / Best effort / Advanced VBR Transmission type : Unicast / Multicast JPEG Image Quality : 10 steps Multiple streams individually configurable
Intelligent Compression	Smart coding, VIQS (ROI)
Audio Compression	G.726 (ADPCM) : 16 kbps / 32 kbps G.711 : 64 kbps AAC-LC : 64 kbps, AAC-LC (High quality) : 64 kbps / 96 kbps / 128 kbps
Protocol	IPv6 : TCP/IP, UDP/IP, HTTP, HTTPS, FTP, SMTP, DNS, NTP, SNMP, DHCPv6, RTP, MLD, ICMP, ARP, DiffServ IPv4 : TCP/IP, UDP/IP, HTTP, HTTPS, RTSP, RTP, RTP/RTCP, FTP, SMTP, DHCP, DNS, DDNS, NTP, SNMP, UPnP, IGMP, ICMP, ARP, DiffServ
Maximum Concurrent Access Number	Up to 14 users (Depends on network conditions)
Mobile Terminal Compatibility	iPad, iPhone, iPod touch (iOS 4.2.1 or later) Android™ mobile terminals

Environment

Water and Dust Resistance	Main body : IP66, IP67, IEC60529 measuring standard compatible, Type 4X(UL50), NEMA 4X compliant Waterproof RJ45 connector, Waterproof power connector, Waterproof I/O connector
Shock Resistance	Compliant with IK10 (IEC 62262)
Salt Damage Resistance	ISO14993 compliant
Resistance to Wind	Upright 216 km/h (135 mph) (Operation) / 288 km/h (180 mph) (non-destructive) Forward tilt 50 m (112 mph) (Operation) / 80 m (180 mph) (non-destructive)

General

Safety	UL (UL60950-1), c-UL (CSA C22.2 No.60950-1), CE, IEC60950-1
--------	---

EMC	FCC (Part15 ClassA), ICES003 ClassA, EN55032 ClassA, EN55035
Power Source	AC100 to 240 V, 50 Hz / 60 Hz Tested PoE Injector* (60 W) *with limitations
Operating Environment	Ambient operating temperature : AC100 to 240 V : -50 °C to +60 °C {-58 °F to 140 °F} (Power On range : -30 °C to +60 °C {-22 °F to 140 °F}) When using the tested PoE injector : -30 °C to +60 °C {-22 °F to 140 °F} When using the tested PoE injector and IR LED unit at the same time: -20 °C to +55 °C {-4 °F to 131 °F}) *The upper limit value of ambient operating temperature indicates the use of WV-SUD638 (natural silver). In cases of products with other body colors, the upper limit value is +55 °C {131 °F}. *When WV-SUD6FRL1 (IR LED unit) is attached, the upper limit value of ambient operating temperature is +55 °C {131 °F}. Ambient operating humidity : 10 % to 100 %
External I/O Terminals	ALARM IN 1(DAY/NIGHT IN, Auto time adjustment), ALARM IN 2(ALARM OUT), ALARM IN 3(AUX OUT), Relay connection (x1 for each)
Line Input	ø3.5 mm monaural mini jack Input impedance : Approx. 2 kΩ (unbalanced) For line input Input level : Approx. -10 dBV
Audio Output	ø3.5 mm stereo mini jack (monaural output) Output impedance : Approx. 600 Ω (unbalanced) Using Amplifier built-in external speaker Output level : -20 dBV
Dimensions	220 mm (W) x 450 mm (H) x 266 mm (D) {8-21/32 inches (W) x 1ft 5-23/32 inches (H) x 10-15/32 inches (D)}
Mass (Approx.)	Approx. 8.5 kg {18.7 lbs}
Finish	Main body : Glass Fiber Reinforced Plastics WV-SUD638 : Natural Silver WV-SUD638-H : Gray (N7) WV-SUD638-T : Brown (Environmental color) Front glass : Glass, Clear

NOTES

Important

- Safety Precautions : Carefully read the Basic Information, Installation Guide and Operating Instructions before using this product.
- i-PRO Co., Ltd. cannot be held responsible for the performance of the network and/or other manufacturers' products used on the network.
- Masses and dimensions are approximate.
- Specifications are subject to change without notice.

Trademarks and registered trademarks

- iPad and iPhone are trademarks of Apple Inc., registered in the U.S. and other countries. - Android is a trademark of Google LLC.
- ONVIF is a trademark of ONVIF, Inc.
- All other trademarks identified herein are the property of their respective owners

©i-PRO Co., Ltd All rights reserved / November 2022

OPTIONAL ACCESSORIES

Select a compatible accessory

[Accessory Selector \(i-pro.com\)](http://i-pro.com).



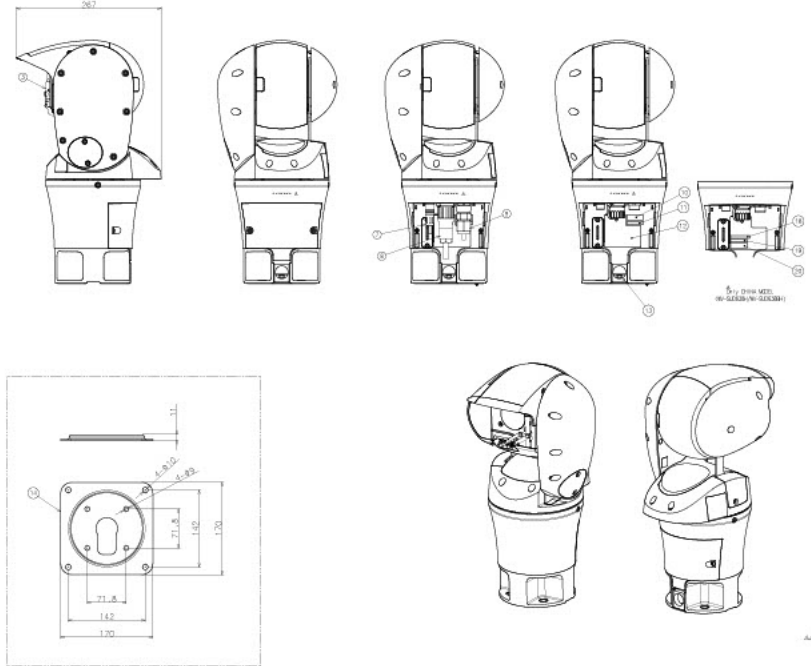
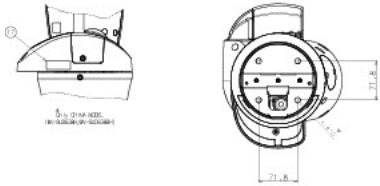
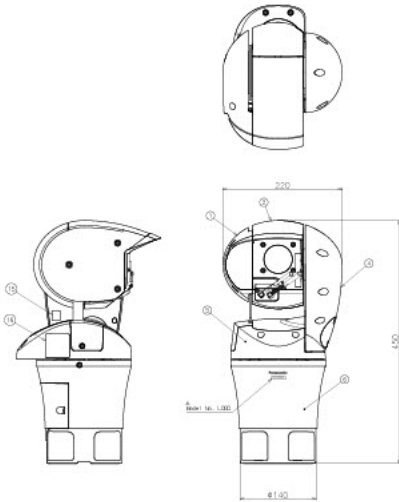
WV-SUD6FRL1
Unit



WJ-PU201
60W Single Port Power
over Ethernet

APPEARANCE

WV-SUD638 APPEARANCE



製品番号	製品色	品番ロゴ
WV-SUD638	シルバー	WV-SUD638
WV-SUD638PJ	シルバー	
WV-SUD638-T	茶色 (環境色)	
WV-SUD638-H	N7 グレー	
WV-SUD638H	シルバー	
WV-SUD638B	シルバー	WV-SUD638B

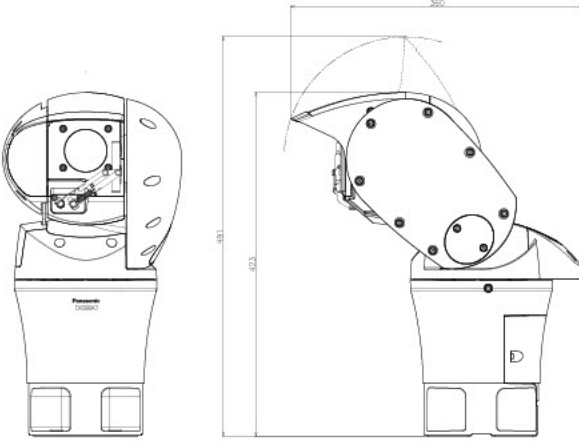
Model	Color	Model No. L060
WV-SUD638	Silver	WV-SUD638
WV-SUD638PJ	Silver	
WV-SUD638-T	Brown (Environment color)	
WV-SUD638-H	N7 Gray	
WV-SUD638H	Silver	
WV-SUD638B	Silver	WV-SUD638B

No.	Part name	Material	Process/Remark
1	TOP LID (LID)		
2	CAMERA UNIT		
3	SENSOR UNIT		
4	HTS UNIT		
5	SWITCH UNIT		
6	RECEIVER UNIT		
7	TEST I/O BOARD		
8	RFIC CONNECTOR (Connector/Plug)		
9	RFIC CONNECTOR (RFIC/Plug)		
10	RFIC BOARD	Polycarbonate	Printed
11	RFIC No. 1 LABEL	Polycarbonate	Printed
12	RFIC No. 2 LABEL	Polycarbonate	Printed
13	RFIC No. 3 LABEL	Polycarbonate	Printed
14	RFIC No. 4 LABEL	Polycarbonate	Printed
15	RFIC No. 5 LABEL	Polycarbonate	Printed
16	RFIC No. 6 LABEL	Polycarbonate	Printed
17	RFIC No. 7 LABEL	Polycarbonate	Printed
18	RFIC No. 8 LABEL	Polycarbonate	Printed
19	RFIC No. 9 LABEL	Polycarbonate	Printed
20	RFIC No. 10 LABEL	Polycarbonate	Printed
21	RFIC No. 11 LABEL	Polycarbonate	Printed
22	RFIC No. 12 LABEL	Polycarbonate	Printed
23	RFIC No. 13 LABEL	Polycarbonate	Printed
24	RFIC No. 14 LABEL	Polycarbonate	Printed
25	RFIC No. 15 LABEL	Polycarbonate	Printed
26	RFIC No. 16 LABEL	Polycarbonate	Printed
27	RFIC No. 17 LABEL	Polycarbonate	Printed
28	RFIC No. 18 LABEL	Polycarbonate	Printed
29	RFIC No. 19 LABEL	Polycarbonate	Printed
30	RFIC No. 20 LABEL	Polycarbonate	Printed

項目	Projected area
全体 (Top-view)	0.0733[m ²]
前面 (Front-view)	0.0711[m ²]

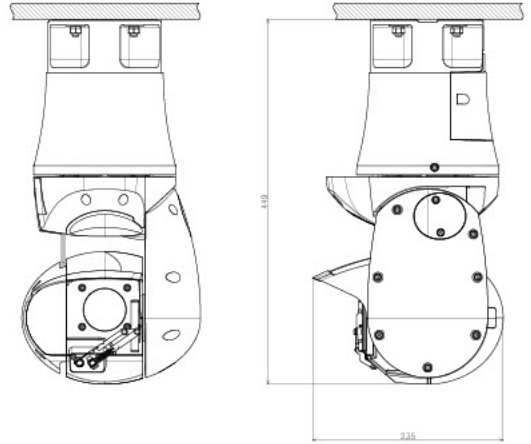
WV-SUD638 APPEARANCE

▲
前体傾斜時



前体傾斜時	Projected area (前体傾斜時)
正面/Top-view	0.071[m ²]
側面/Side-view	0.072[m ²]

▲
吊り下げ時



吊り下げ時	Projected area (吊り下げ時)
正面/Top-view	0.073[m ²]
側面/Side-view	0.074[m ²]