

# WV-S32302-F2LG

2MP Indoor Compact Dome Network Camera with AI engine

## All-in-one Compact dome camera with AI engine and IR-LED



- 2MP Compact dome camera
- Up to 2 Edge AI analytic apps
- Discreet design
- Wide angle of view (Horizontal 132°)
- Built-in IR-LED (15m/49ft)
- Built-in microphone
- IK10 certified
- Built-in FIPS 140-2 Level 3 Certified SecureElement (EdgeLock® SE050F NXP® Semiconductors)
- NDAA Compliant

# SPECIFICATIONS

| Camera   |  |
|--|--|
| Image Sensor                                     | Approx.1/2.8 type CMOS image sensor  |
| Scanning Area                                    | 5.57 mm (H) × 3.13 mm (V)<br>{7/32 inches (H) × 1/8 inches (V)}  |
| Minimum Illumination                             | Color : 0.05 lx (30IRE, F2.1, 1/30 s) , Color : 0.07 lx (50IRE, F2.1, 1/30 s)<br>BW : 0.05 lx (50IRE, F2.1, 1/30 s) , BW : 0 lx (50IRE, F2.1, 1/30 s with IR LED)  |
| White Balance                                    | ATW1/ ATW2/ AWC  |
| Maximum shutter                                  | 60 fps/30 fps/15 fps mode: Max.1/10000s to Max.16/30s<br>50 fps/25 fps/12.5 fps mode: Max.1/10000s to Max.16/25s   |
| Intelligent Auto                                 | On / Off   |
| Super Dynamic                                    | On / Off,<br>The level can be set in the range of 0 to 31. *1  |
| Dynamic Range                                    | 144 dB max.<br>(Super Dynamic: On, Level: 31)  |
| Adaptive Black Stretch                           | The level can be set in the range of 0 to 255.   |
| Back Light Compensation/ High Light Compensation | BLC/ HLC/ Off, The level can be set in the range of 0 to 31.<br>(only when Super Dynamic/ Intelligent Auto: Off)   |
| Fog Compensation                                 | On/ Off,<br>The level can be set in the range of 0 to 8.<br>(only when Intelligent Auto/ Auto contrast adjust: Off)  |
| Maximum Gain (AGC)                               | The level can be set in the range of 0 to 11.  |
| Color/BW (ICR)                                   | Off/ On(IR Light Off)/ On(IR Light On)/ Auto1(IR Light Off)/ Auto2(IR Light On)/ Auto3(SCC)  |
| IR LED Light                                     | High/ Middle/ Low/ Off<br>Maximum irradiation distance : 15 m {Approx. 49 ft} (30IRE)* , 10 m {Approx. 33 ft} (50IRE)<br>* Converted value   |
| Digital Noise Reduction                          | The level can be set in the range of 0 to 255.   |
| Video Motion Detection (VMD)                     | On/ Off,<br>4 areas available  |
| Scene Change Detection (SCD)                     | On/ Off,<br>1 area available   |
| Audio Detection                                  | On/Off   |
| AI Sound Classification                          | Selectable from Gunshot, Yell, Vehicle horn, Glass break   |
| AI Analytics                                     | AI Video Motion Detection, AI Privacy Guard, AI Face Detection, AI People Detection, AI Vehicle Detection, AI Non mask Detection, AI Occupancy Detection, AI Scene Change Detection<br><br>For details :<br><a href="https://i-pro.com/products_and_solutions/en/surveillance/products/analytics-software">https://i-pro.com/products_and_solutions/en/surveillance/products/analytics-software</a><br>3rd party applications are also available.<br><a href="https://i-pro.com/products_and_solutions/en/surveillance/solutions/edge-ai-platform/application-list">https://i-pro.com/products_and_solutions/en/surveillance/solutions/edge-ai-platform/application-list</a> |
| Privacy Zone                                     | On/ Off,<br>up to 8 zones available  |
| VIQS   | On/ Off,<br>up to 8 zones available  |

|                    |   |
|--------------------|---|
| Image Rotation     | 0° (Off) / 90° / 180° (Upside-down) / 270°                                      |
| Camera Title (OSD) | On/ Off, Up to 40 characters, Up to 2 Lines<br>(alphanumeric characters, marks) |

## Lens

|                           |  |
|---------------------------|--|
| Optical zoom              | 1x   |
| Extra zoom                | max 3.0 x<br>(when resolution is 640x360)  |
| Digital (Electronic) zoom | -  |
| Focal length              | 2.4mm {3/32inches}   |
| Angular Field of View     | [16:9 mode]<br>Horizontal: 132° , Vertical: 74°<br>[4:3 mode]<br>Horizontal : 99° , Vertical : 74° |
| Maximum Aperture Ratio    | 1 : 2.1  |
| Focus range               | 0.5 m {19-11/16 inches} -∞   |
| Aperture range            | F2.1   |

## DORI

|                            |                |
|----------------------------|----------------|
| Detect (25ppm / 8ppf)      | 17.1m / 56.1ft |
| Observe (62.5ppm / 19ppf)  | 6.8m / 22.4ft  |
| Recognize (125ppm / 38ppf) | 3.4m / 11.2ft  |
| Identify (250ppm / 76ppf)  | 1.7m / 5.6ft   |

## System on Chip (SoC)

|                      |                 |
|----------------------|-----------------|
| System on Chip (SoC) | Ambarella CV25M |
|----------------------|-----------------|

## Adjusting Angle

|                 |  |
|-----------------|--|
| Adjusting Angle | Horizontal (PAN) angle: -45°to +45° , Vertical (TILT) angle: 0°to +90°<br>Azimuth (YAW) angle: -90°to +90° |
|-----------------|--|

## Browser GUI

|                           |   |
|---------------------------|---|
| GUI / Setup Menu Language | English, Italian, French, German, Spanish, Portuguese, Russian, Chinese, Japanese |
| Browser *2                | Microsoft Edge, Firefox, Google Chrome  |

## Network

|   |  |
|---|--|
| Network IF                              | 10BASE-T/100BASE-TX, RJ45 connector  |
| Resolution                              | [16:9 mode(60 fps mode/ 30 fps mode/ 50 fps mode/ 25 fps mode)]<br>1920x1080/ 1280x720/ 640x360/ 320x180<br>[4:3 mode(30 fps mode/ 25 fps mode)] 1280x960/ VGA/ QVGA<br>[4:3 mode(15 fps mode/ 12.5 fps mode)] 2048x1536* / 1280x960/ VGA/ QVGA<br>*Used by super resolution techniques  |
| H.265/H.264 Transmission Mode / Type *3 | [Transmission Mode]<br>Constant bit rate / VBR / Frame rate / Best effort<br>[Transmission Type]<br>Unicast port (AUTO) / Unicast port (MANUAL) / Multicast  |
| JPEG                                    | [Image Quality] 10 steps   |
| Smart Coding                            | [GOP(Group of pictures) control]<br>Off/ Low (Variable GOP 1s-8s) / Mid (Variable GOP 4s-16s) / Advanced (Fixed GOP 60 seconds with 1 second Key frame) / Frame rate control (Variable GOP 4s-16s with frame rate control)<br>*Advanced and Frame rate control are only available with H.265.<br>[Smart VIQS] On(High) / On(Low) / Off<br>[Smart P-picture control] On/Off |

|                                   |  |
|-----------------------------------|--|
| Audio Compression                 | G.726 (ADPCM): 32 kbps/16 kbps , G.711: 64 kbps , AAC-LC: 64kbps/96kbps/128kbps *4   |
| Supported Protocol                | IPv6: TCP/IP, UDP/IP, HTTP, HTTPS, SSL/TLS, SMTP, DNS, NTP, SNMPv1/v2/v3, DHCPv6, RTP, MLD, ICMP, ARP, IEEE 802.1X, DiffServ, LLDP, FTP, SFTP, MQTT<br>IPv4: TCP/IP, UDP/ IP, HTTP, HTTPS, SSL/TLS, RTSP, RTP, RTP/RTCP, SMTP, DHCP, DNS, DDNS, NTP, SNMPv1/v2/v3, UPnP, IGMP, ICMP, ARP, IEEE 802.1X, DiffServ, SRTP, LLDP, FTP, SFTP, MQTT |
| No. of Simultaneous Users         | Up to 14 users (Depends on network conditions)   |
| Secure                            | FIPS 140-2 level 3 (NXPR EdgeLock® SE050F), Device Certificate GlobalSign® pre-installed, HTTPS, User authentication, Digest authentication, Host authentication, IEEE802.1X, System log, Image transmission log, Brute-force protection, Alteration detection   |
| SDXC/SDHC/SD Memory Card (Option) | microSDXC memory card: 64 GB,128 GB,256 GB,512 GB<br>microSDHC memory card: 4 GB,8 GB,16 GB,32 GB , microSD memory card: 2 GB  |
| Mobile Terminal Compatibility     | iPad / iPhone (iOS 8.0 or later), Android™ mobile terminals  |
| ONVIF®Profile                     | G / M / S / T  |

## Alarm

|               |  |
|---------------|--|
| Alarm Actions | SDXC/SDHC/SD memory recording, E-mail notification, HTTP alarm notification Indication on browser, TCP alarm notification output |
|---------------|--|

## General

|                               |  |
|-------------------------------|--|
| Safety                        | UL (UL62368-1), c-UL (CSA C22.2 No.62368-1), CE, IEC62368-1  |
| EMC                           | FCC (Part15 ClassA), ICES-003 ClassA, EN55032 ClassA, EN55035                                      |
| Power Source                  | PoE (IEEE802.3af Compliant)  |
| Power Consumption             | PoE DC 48V: 180mA / approx. 8.6W (Class 0 device)  |
| Ambient Operating Temperature | 0 °C to +40 °C {32 °F to 104 °F}   |
| Ambient Operating Humidity    | 10 % to 90 % (no condensation)   |
| Water and Dust Resistance     | -  |
| Shock Resistance              | IK10 (IEC 62262)   |
| Wind Resistance               | -  |
| Dimensions                    | 109 mm (W) x 53 mm (H) x119 mm (D)<br>{4-19/64inches (W) x 2-3/32 inches (H) x 4-11/16 inches (D)} |
| Mass (approx.)                | approx. 455g {1.00 lbs}  |
| Finish                        | Main body: Aluminum die cast, i-PRO white<br>Front panel: PC resin, Smoke                          |
| Other                         | Tamper-resistant enclosure *5  |

## NOTES

\*1 When 60 fps or 50 fps is selected, the Super Dynamic function is automatically set to off.

\*2 For information on the operation verification of the web browsers, refer to our support website <Control No.: C0132>.

\*3 Transmission for 4 streams can be individually set.

\*4 When recording audio on an SD memory card, only use AAC-LC (Advanced Audio Coding - Low Complexity) .

\*5 Component that has a structure on which the screws that are accessible after installation cannot be screwed or unscrewed using an ordinary screwdriver.

### Important

- Safety Precautions : Carefully read the Basic Information,Installation Guide and Operating Instructions before using this product.
- i-PRO Co., Ltd. cannot be held responsible for the performance of the network and/or other manufacturers' products used on the network.
- Masses and dimensions are approximate.
- Specifications are subject to change without notice.

Trademarks and registered trademarks

- iPad and iPhone are trademarks of Apple Inc., registered in the U.S. and other countries. - Android is a trademark of Google LLC.
- ONVIF is a trademark of ONVIF, Inc.
- All other trademarks identified herein are the property of their respective owners

©i-PRO Co., Ltd All rights reserved / June 2023

## OPTIONAL ACCESSORIES

Select a compatible accessory

[Accessory Selector \(i-pro.com\)](http://i-pro.com).



WV-QAT502-W  
Gangbox Adapter



WV-QCL100-W  
Mount Bracket



WV-QCL101-W  
Mount Bracket



WV-QCN500-W  
Mount Bracket



WV-QJB500-W  
Mount Bracket



WV-QJB502A-W  
Mount Bracket

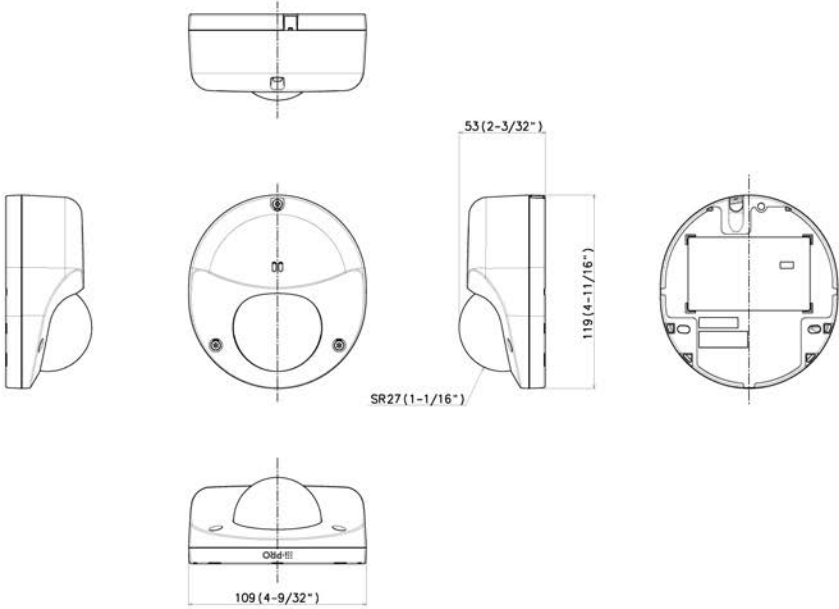


WV-QPL500-W  
Mount Bracket



WV-QWL500-W  
Mount Bracket

# APPEARANCE



SR27 (1-1/16")

Mass : Approx. 500 g (1.21 lbs)

