

WV-S85702-F3L1

2 x 4K IR Outdoor Multi-directional Network Camera with AI Engine

Multi-directional dual sensor camera



- 2 x 4K Multi-directional camera
- One IP address, One VMS license
- Up to 4 Edge AI analytic apps
- Built-in IR-LED (40m, 131ft)
- Wide angle of view (Horizontal 104°)
- Corridor mode (90 degrees or 270 degrees in image rotation)
- IP66, IP67, IK10 certified
- Built-in FIPS 140-2 Level 3 Certified SecureElement (EdgeLock® SE050F NXP® Semiconductors)
- NDAA Compliant

[Learn More](#)



SPECIFICATIONS

| Camera | |
|-------------------------------------------------|------------------------------------------------------------------------------------------------------------------------------------------------------------------------------------------------------------------------------------------------------------------------------------------------------------------------------------------------------------------------------------------------------------------------------------------------------------------------------------------------------------------------------------------------------------------------------------------------------------------------------------------------------------------|
| Image Sensor | 2x 1/2.8 type CMOS image sensor |
| Scanning Area | 5.56 mm(H) x 3.13 mm(V) {7/32 inches(H) x 1/8 inches(V)} |
| Minimum Illumination | Color : 0.084 lx (30IRE, F1.44, 1/30 s) Color : 0.12 lx (50IRE, F1.44, 1/30 s) BW : 0.05 lx {50IRE, F1.44, 1/30 s} BW : 0 lx {50IRE, F1.44, 1/30 s with IR LED} |
| White Balance | ATW1/ ATW2/ AWC |
| Maximum shutter | 15 fps mode: Max.1/10000s to Max.16/30s 12.5 fps mode: Max.1/10000s to Max.16/25s |
| Intelligent Auto | On / Off |
| Super Dynamic | On / Off, The level can be set in the range of 0 to 31. |
| Dynamic Range | 120 dB max. (Super Dynamic: On, Level: 31) |
| Adaptive Black Stretch | The level can be set in the range of 0 to 255. |
| Back Light Compensation/High Light Compensation | BLC/ HLC/ Off The level can be set in the range of 0 to 31. (only when Super Dynamic/ Intelligent Auto: Off) |
| Fog Compensation | On/ Off The level can be set in the range of 0 to 8. (only when Intelligent Auto/ Auto contrast adjust: Off) |
| Maximum Gain (AGC) | The level can be set in the range of 0 to 11. |
| Color/BW (ICR) | Off/On(IR Light Off)/On(IR Light On)/Auto1(IR Light Off)/Auto2(IR Light On)/Auto3(SCC) |
| IR LED Light | High/Middle/Low/Off Maximum irradiation distance : 40 m {Approx. 131 ft} (30IRE)* 30 m {Approx. 99 ft} (50IRE) * Converted value |
| Digital Noise Reduction | The level can be set in the range of 0 to 255. |
| Video Motion Detection (VMD) | On / Off, 4 areas available |
| Scene Change Detection (SCD) | On / Off, 1 areas available |
| Audio Detection | On/Off |
| AI Sound Classification | Selectable from Gunshot, Yell, Vehicle horn, Glass break |
| AI Analytics | AI Video Motion Detection, AI Face Detection, AI People Detection, AI Vehicle Detection, AI Non mask Detection, AI Occupancy Detection, AI Scene Change Detection For details : https://i-pro.com/products_and_solutions/en/surveillance/products/analytics-software 3rd party applications are also available. https://i-pro.com/products_and_solutions/en/surveillance/solutions/edge-ai-platform/application-list |
| Privacy Zone | On/ Off (up to 8 zones available) |
| VIQS | On / Off (up to 8 zones available) |
| Image Rotation | 0° (Off)/ 90°/ 180° (Upside-down)/ 270° |

| | |
|--------------------|------------------------------------------------------------------------------|
| Camera Title (OSD) | On/ Off, Up to 40 characters, Up to 2 Lines (alphanumeric characters, marks) |
| Focus Adjustment | - |

Lens

| | |
|------------------------|---------------------------------------|
| Optical zoom | 1x |
| Extra zoom | max 6x (when resolution is 640x360) |
| Focal length | 3.1mm {1/8 inches} |
| Angular Field of View | Horizontal : 104 ° Vertical : 56 ° |
| Maximum Aperture Ratio | 01:01.4 |
| Focus range | 3 m {9.84 ft} – ∞ |

DORI

| | |
|----------------------------|-------------------|
| Detect (25ppm / 8ppf) | 60.0 m / 196.9 ft |
| Observe (62.5ppm / 19ppf) | 24.0 m / 78.7 ft |
| Recognize (125ppm / 38ppf) | 12.0 m / 39.4 ft |
| Identify (250ppm / 76ppf) | 6.0 m / 19.7 ft |

System on Chip (SoC)

| | |
|----------------------|---------------|
| System on Chip (SoC) | Ambarella CV2 |
|----------------------|---------------|

Adjusting Angle

| | |
|-----------------|----------------------------------------------------------------------------------------------------------------------------------------------------------------------------------------|
| Adjusting Angle | Camera 1, 2: Horizontal: -50° to +230° (Adjust by horizontal (PAN) angle) Vertical: +10° to +105° (Adjust by vertical (TILT) angle) Yaw: ±90° (Adjust by azimuth (YAW) angle) |
|-----------------|----------------------------------------------------------------------------------------------------------------------------------------------------------------------------------------|

Browser GUI

| | |
|---------------------------|----------------------------------------------------------------------------------------------------------------------------------------|
| Camera Control | Brightness, AUX On / Off |
| Audio | Mic (Line) Input : On / Off Volume adjustment : Low / Middle / High Audio Output : On / Off Volume adjustment : Low / Middle / High |
| GUI / Setup Menu Language | English, Italian, French, German, Spanish, Portuguese, Russian, Chinese, Japanese |
| Browser | Microsoft Edge, Firefox, Google Chrome *1 |

Network

| | |
|---------------------------------------|-------------------------------------------------------------------------------------------------------------------------------------------------------------------------------------------------------------------------------------------------------------------------------------------------------------------------------------------------------------------------|
| Network IF | 10BASE-T/100BASE-TX/1000BASE-T, RJ45 connector |
| Resolution H.265/ H.264/ JPEG (MJPEG) | [16:9 mode] 3840×2160 / 2560×1440 / 1920×1080 / 1280×720 / 640×360 / 320×180 |
| H.265/H.264 | [Transmission Mode] Constant bit rate / VBR / Frame rate / Best effort [Transmission Type] Unicast port (AUTO) / Unicast port (MANUAL) / Multicast |
| JPEG | [Image Quality] 10 steps |
| Smart Coding | GOP(Group of pictures) control : Off/ Low (Variable GOP 1s-8s)/ Mid (Variable GOP 4s-16s)/Advanced (Fixed GOP 60 seconds with 1 second Key frame)/Frame rate control (Variable GOP 4s-16s with frame rate control) *Advanced and Frame rate control are only available with H.265. Smart VIQS : On(High)/On(Low)/Off Smart P-picture control : On/Off |
| Audio Compression | G.726 (ADPCM) 32 kbps/16 kbps, G.711 64 kbps, AAC-LC 64kbps/96kbps/128kbps *2 |
| Audio Transmission Mode | Off / Mic (Line) input / Audio output / Interactive (Half duplex) / Interactive (Full duplex) |

| | |
|-------------------------------|----------------------------------------------------------------------------------------------------------------------------------------------------------------------------------------------------------------------------------------------------------------|
| Supported Protocol | IPv6 : TCP/IP, UDP/IP, HTTP, HTTPS, SSL/TLS,SMTP,DNS,NTP,SNMPv1/v2/v3,DHCPv6,RTP,MLD,ICMP,ARP,IEEE 802.1X,DiffServ,LLDP,MQTT |
| No. of Simultaneous Users | 24 (Number of sessions that can connect to cameras at the same time) |
| Secure | FIPS 140-2 level 3 (NXP® EdgeLock® SE050F), Device Certificate GlobalSign® pre-installed, HTTPS, User authentication, Digest authentication, Host authentication, IEEE802.1X, System log, Image transmission log, Brute-force protection, Alteration detection |
| SDXC/SDHC/SD Memory Card | microSDXC memory card : 64 GB,128 GB,256 GB,512 GB microSDHC memory card : 4 GB,8 GB,16 GB,32 GB microSD memory card : 2 GB |
| Mobile Terminal Compatibility | iPad / iPhone (iOS 8.0 or later), Android™ terminals |
| ONVIF® Profile | G / M / S / T |

Alarm

| | |
|---------------|-------------------------------------------------------------------------------------------------------------------------------------|
| Alarm Source | 3 terminals input, VMD alarm, SCD alarm, Command alarm, Audio detection alarm |
| Alarm Actions | SDXC/SDHC/SD memory recording, E-mail notification, HTTP alarm notification Indication on browser, TCP alarm notification output |

Input/Output

| | |
|---------------------------------|-----------------------------------------------------------------------------------------------------------------------------------------------------------------------------------------------------------------------------------------------------------------------------------------------------------------------------|
| Monitor Output (for Adjustment) | — |
| Audio input *3 | ø3.5 mm stereo mini jack For microphone input : Recommended applicable microphone : Plug-in power type (Sensitivity of microphone : -48 dB±3 dB (0 dB=1 V/Pa, 1 kHz)) Input impedance : Approx. 2 kΩ (unbalanced) Supply voltage : 2.4 V ±0.5 V For line input : Input level: Approx. -10 dBV |
| Audio Output *3 | ø3.5 mm stereo mini jack (Audio output is monaural.) Output impedance: Approx. 600 Ω (unbalanced) Output level: -20 dBV |
| External I/O Terminals *3 | ALARM IN 1 (Alarm input 1/ Black & white input/ Auto time adjustment input) (x1) ALARM IN 2 (Alarm input 2/ ALARM OUT) (x1) ALARM IN 3 (Alarm input 3/ ALARM OUT /AUX OUT) (x1) |

General

| | |
|------------------------------------|-----------------------------------------------------------------------------------------------------------------------------------------------------------------------------------------------------------------------------------------------------------------------------------------------|
| Safety | UL (UL62368-1), c-UL (CSA C22.2 No.62368-1), CE, IEC62368-1 |
| EMC | FCC (Part15 ClassA), ICES-003 ClassA, EN55032 ClassA, EN55035 |
| Power Source and Power Consumption | PoE+ (IEEE802.3at compliant) : DC 54 V : 350 mA/Approx. 18.9 W (Class 4 device) |
| Ambient Operating Temperature | -40 °C to +60 °C* {-40 °F to 140 °F} (Power On range: -20 °C to +60 °C {-4 °F to 140 °F}) Maximum temperature according to NEMA TS 2 (2.2.7) : 74°C(165°F) *When using with the IR LED light constantly lit, the upper limit of the operating temperature range is +50 °C {+122 °F}. |
| Ambient Operating Humidity | 10 % to 100 % (no condensation) |
| Anti-Condensation System | Temish element |
| Water and Dust Resistance | IP67/IP66 (IEC 60529), Type 4X (UL50E), NEMA 4X compliant |
| Shock Resistance | IK10 (IEC 62262) |
| Other standard support | NEMA TS 2 (2.2.7-2.2.9) |
| Dimensions | When using the attachment plate only: 250 mm(D)× 150 mm (W) × 105 mm (H) {9-27/32" inches (D) ×5-29/32 inches (W) ×4-1/8 inches (H)} |

| | |
|----------------|--------------------------------------------------------------------------------------------------------------------------------------------|
| Mass (approx.) | Approx. 1.8 kg |
| Finish | Main body: Aluminum die cast, Black Outer fixing screws: Stainless steel (Corrosion-resistant treatment) Dome cover: PC resin, Clear |

NOTES

*1 For information on the operation verification of the web browsers, refer to our support website <Control No.: C0132>.

*2 When recording audio on an SD memory card, only use AAC-LC (Advanced Audio Coding - Low Complexity) .

*3 When using with them, WV-QCA501A cable is required.

Important

- Safety Precautions : Carefully read the Basic Information, Installation Guide and Operating Instructions before using this product.
- i-PRO Co., Ltd. cannot be held responsible for the performance of the network and/or other manufacturers' products used on the network.

- Masses and dimensions are approximate.

- Specifications are subject to change without notice.

Trademarks and registered trademarks

- iPad and iPhone are trademarks of Apple Inc., registered in the U.S. and other countries. - Android is a trademark of Google LLC.

- ONVIF is a trademark of ONVIF, Inc.

- All other trademarks identified herein are the property of their respective owners

©i-PRO Co., Ltd All rights reserved / March 2023

OPTIONAL ACCESSORIES

Select a compatible accessory

[Accessory Selector \(i-pro.com\)](http://i-pro.com).



WV-QCL100-B
Mount Bracket



WV-QCL101-B
Mount Bracket



WV-QCL501-B
Mount Bracket



WV-QCN500-B
Mount Bracket



WV-QPL500-B
Mount Bracket



WV-QSR507-B
Mount Bracket



WV-QSR507F-B
Mount Bracket



WV-QSR507F1-B
Mount Bracket



WV-QSR507M-B
Mount Bracket



WV-QSR507M1-B
Mount Bracket



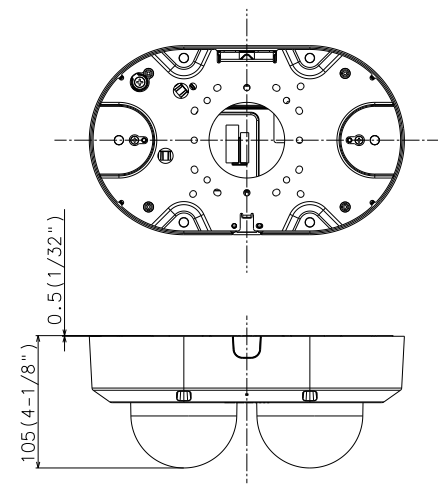
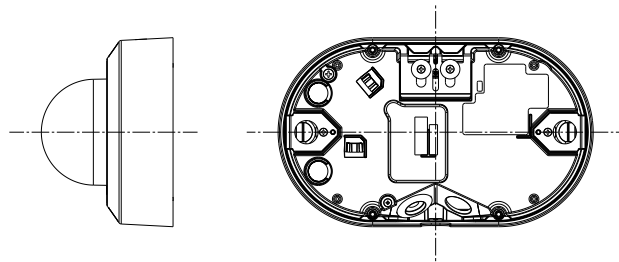
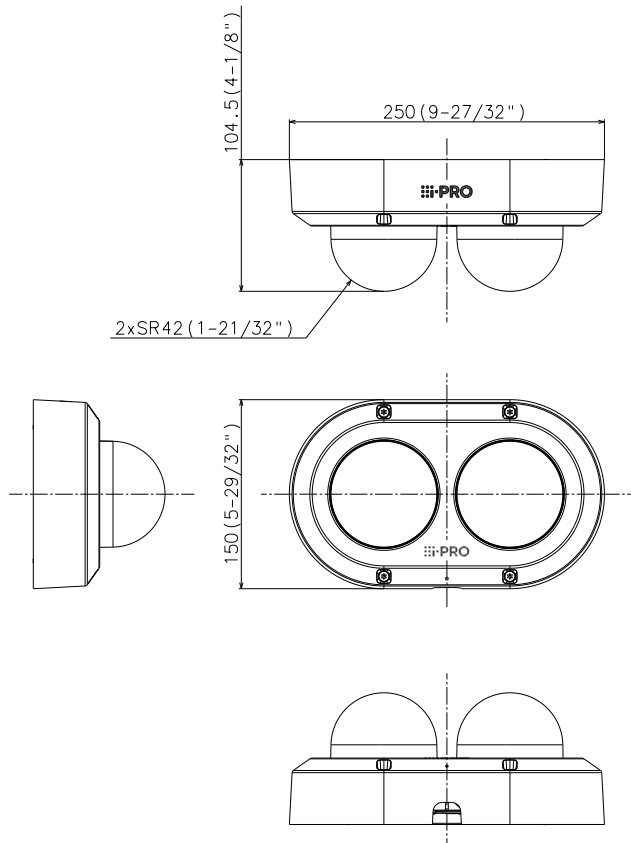
WV-QWL501-B
Mount Bracket



WV-CR1S
Dome Cover



WV-PM500
Compact microphone
unit for surveillance
cameras



With attachment plate

Unit:mm

| | 投影面積/Projected area |
|---------------|-------------------------|
| 平面図/Top-view | 0.020 (m ²) |
| 側面図/Side-view | 0.011 (m ²) |

Mass : Approx. 1.6 kg {3.53 lbs} (When using the attachment plate)